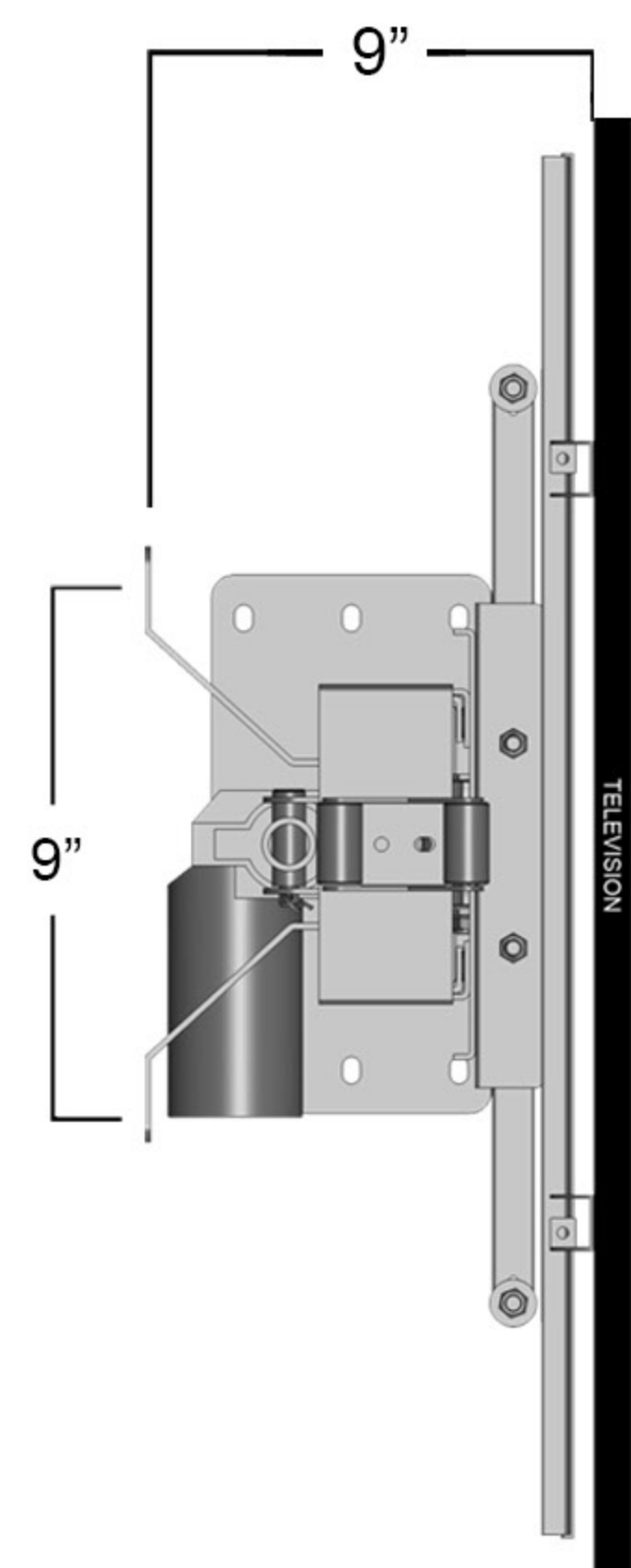
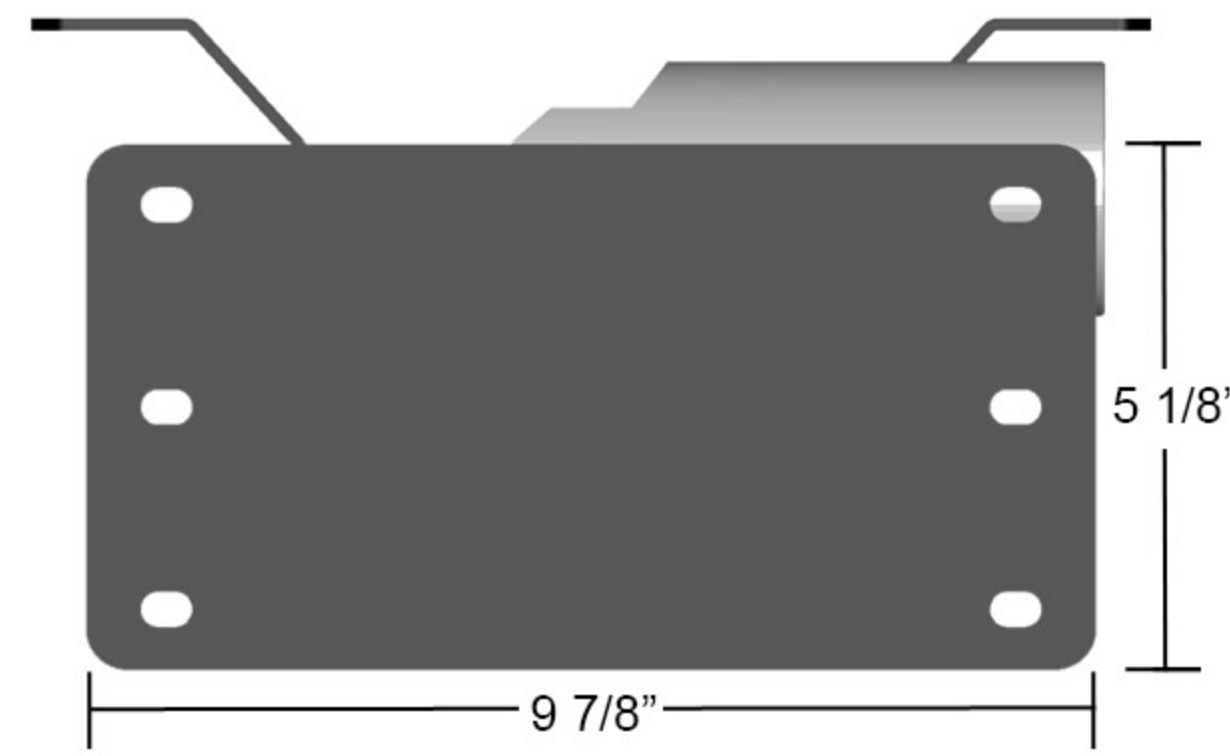


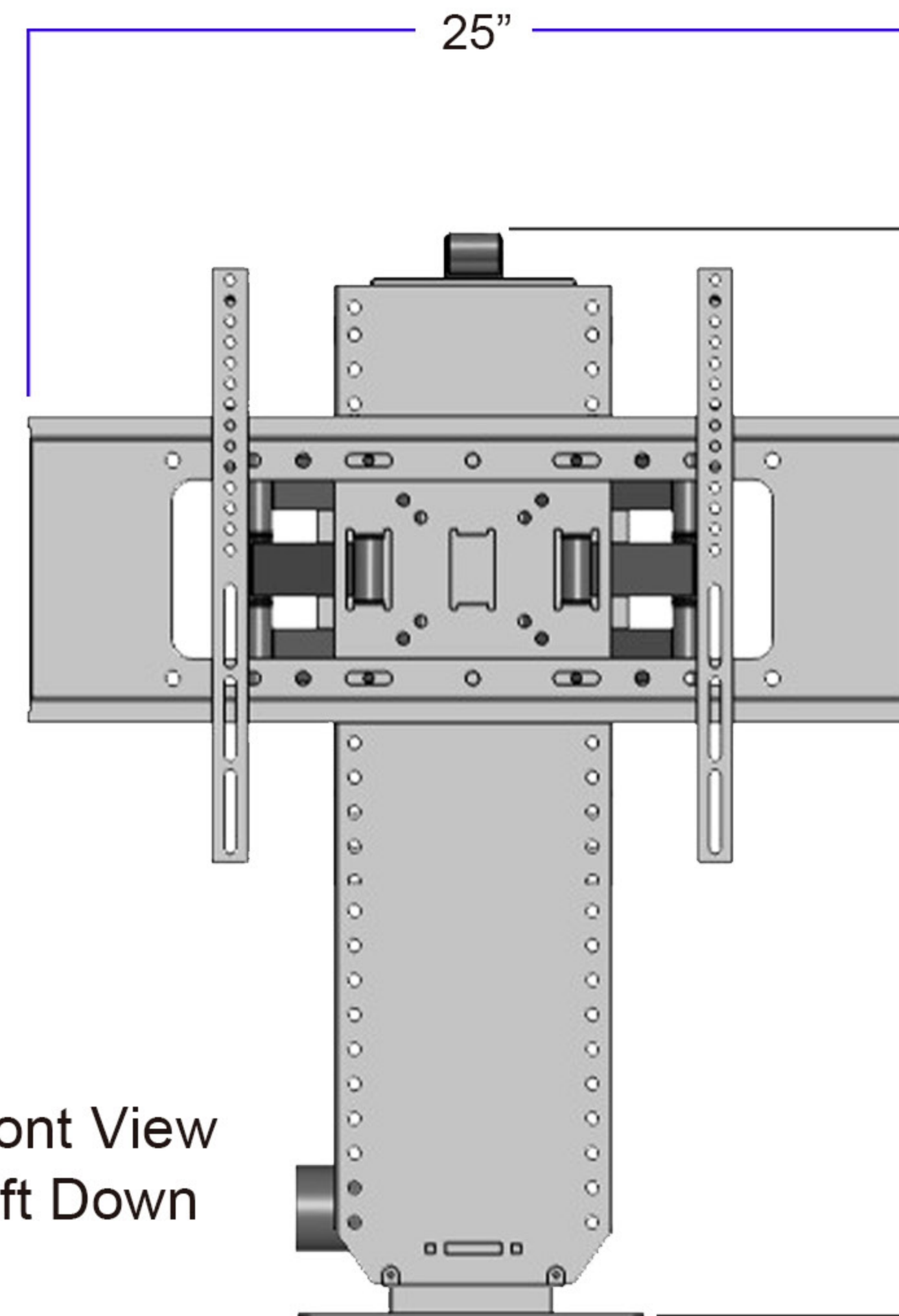
Top View  
(Swivel Open)



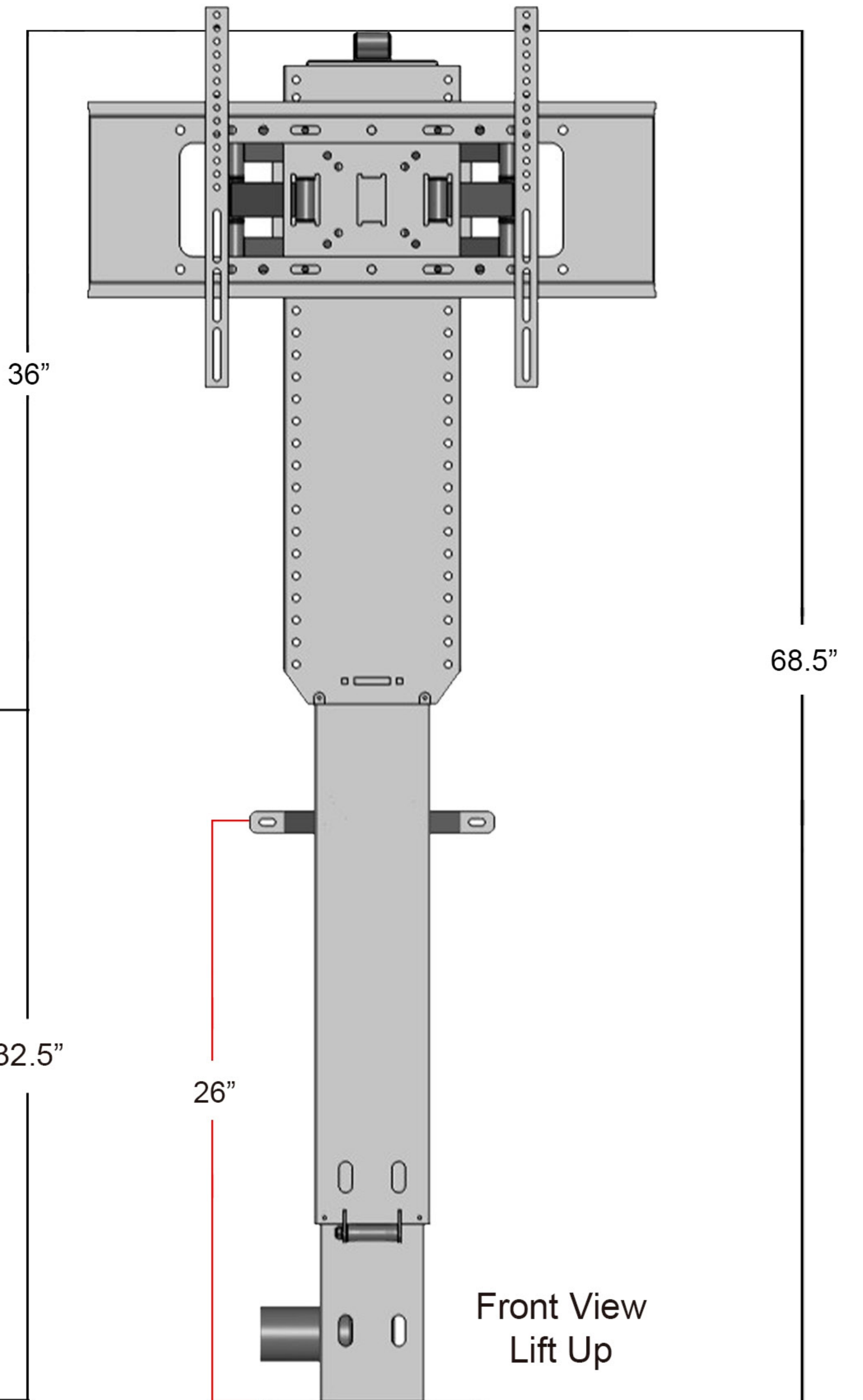
Top View  
(Swivel Closed)



Lift Base  
Bottom View



Front View  
Lift Down



Front View  
Lift Up

### 23501 - Whisper Lift II PRO Swivel Lift Features:

- Roller system for hinged lids
- Flat top for connected lids (31" high without roller)
- 65lb weight capacity
- Mounts to the floor and back
- Universal TV mounting brackets included
- Minimum cabinet TV cavity dimensions:
  - height: 32.5"
  - depth: 9" plus TV depth
  - width: TV width + 1"
- 36" of stroke (works with TVs up to 36" tall w/o stand)
- 12v trigger compatible
- IR control capability
- Set lift height to limit travel of lift
- Safety Sensor to shut off lift when swivel is open
- Max depth with swivel open: 14"
- Swivel bracket has up to 60 degrees of swivel left and right
- Can be used in drop down applications

## Whisper Lift II PRO Swivel Lift Dimensions PN: 23501



**PREMIUM  
ELECTRIC FIREPLACES  
& TV LIFTS**

Exceeding Expectations