

Job Name:	
Submitted By:	



Submittal Sheet For:	CB036GMSILDFHG / YN036GMSI20RUG
-----------------------------	--

Date _____
 Ref. _____

Ceiling Cassette Ductless 20SEER Inverter Heat Pump

System Full Set Model: **CYB036GMSI20RL**

AHRI Reference Number: **218010991**

Cooling Mode Performance

Rated Cooling	36,000 BTU/hr
Ambient Range	5~131°F
SEER2 Rating	20.0 BTU/W·h
EER2 Rating	9.6 BTU/W·h

* 100% Capacity @ Indoor DB 80°F / WB 67°F

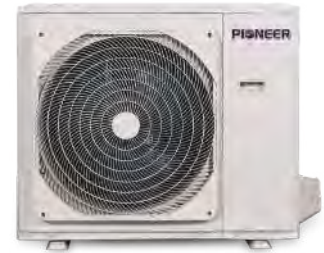
Heating Mode Performance

Rated Heating	38,000 BTU/hr
Ambient Range	-13~86°F
HSPF2 IV (V)	10.3 (7.9) BTU/W·h
COP2 (47°F)	3.31 W/W

Heating (17°F) = 26,800 BTU / Heating (5°F) = 26,600 BTU / COP2 (5°F) = 2.2 W/W



Ceiling Cassette Indoor Unit



Outdoor Condensing Unit



User-Selected Installation Kit



Handheld Remote Controller

Electrical Information

	Cooling	Heating
Rated Input (W)	3,720	3,365
Rated Current (A)	16.4	15.0
Breaker Needed	35A (Double-Pole)	
Power Supply	208~230V, 60Hz, 1Ph	

Piping and Refrigerant

Liquid Line (OD)	3/8 in
Suction Line (OD)	3/4 in
Refrigerant Precharge	R-454b(Supports 10-50 ft.)
Max Length/Height Diff.	250 ft. / 100 ft.

This combination is AHRI/ETL/ISO certified.



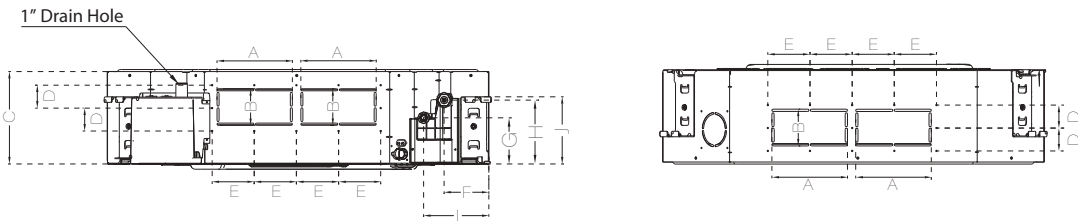
Interior Unit (Air Handler) Specifications

Type	Heat Pump
Sound Level (dBA)	54 (Turbo)/52 (Hi)/47 (Med)/40 (Lo)/36 (Mute)
Auto Air Circulation	8-Way Louver (4 Sides + Corners)
Dimensions (WDH)	32-5/8 in x 32-5/8 in x 9-5/8 in
Weight (lbs)	59.3

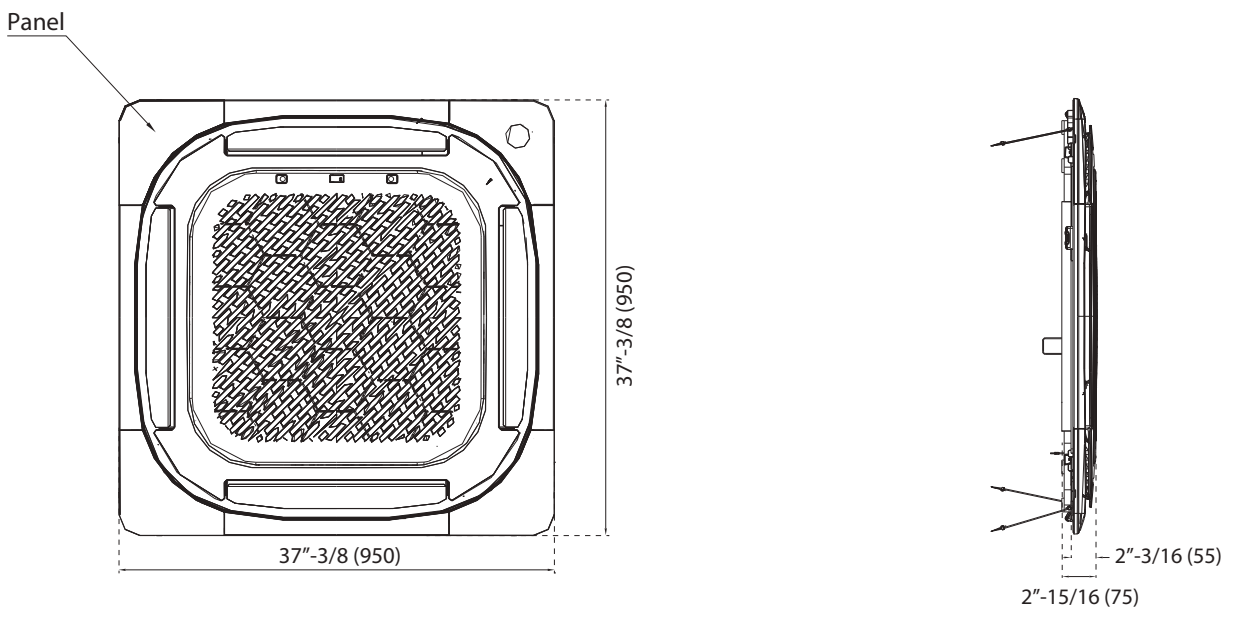
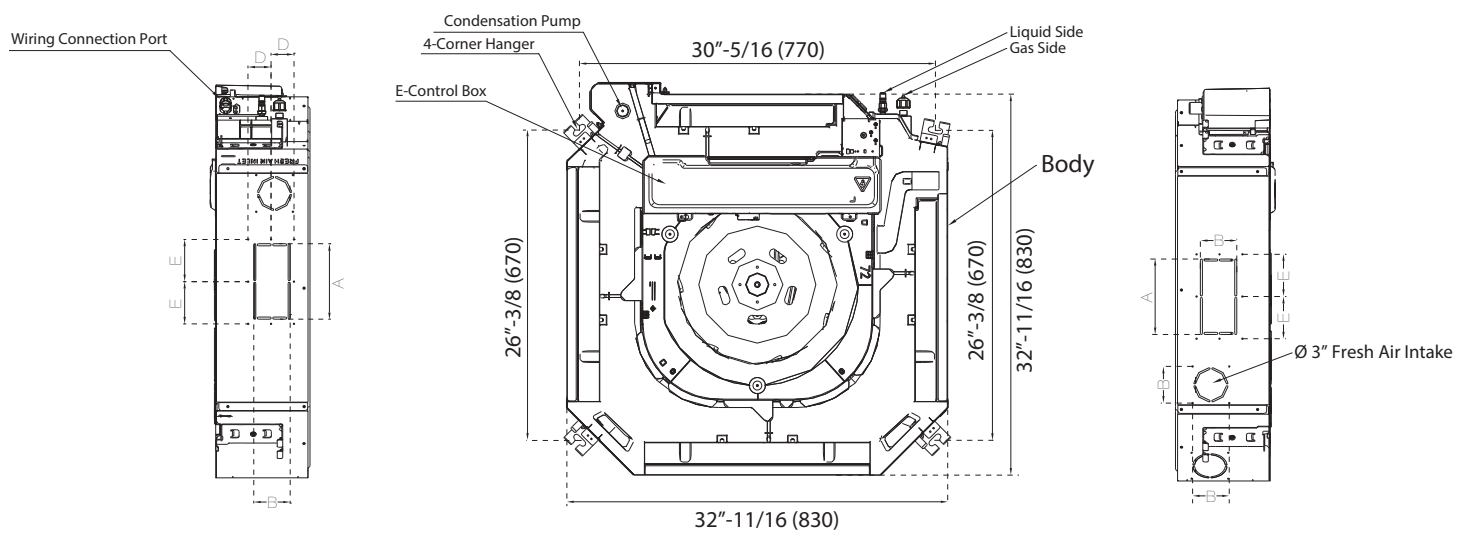
Exterior Unit (Condenser) Specifications

Sound Level (dBA)	63
Recommended Room Size	1,000~1,400 Sq. ft.
Minimum Room Size	103 Sq. ft.
Compressor	Inverter-Driven Rotary
Dimensions (WDH)	37-1/4 in x 16-1/4 in x 31-7/8 in
Weight (lbs)	152.4

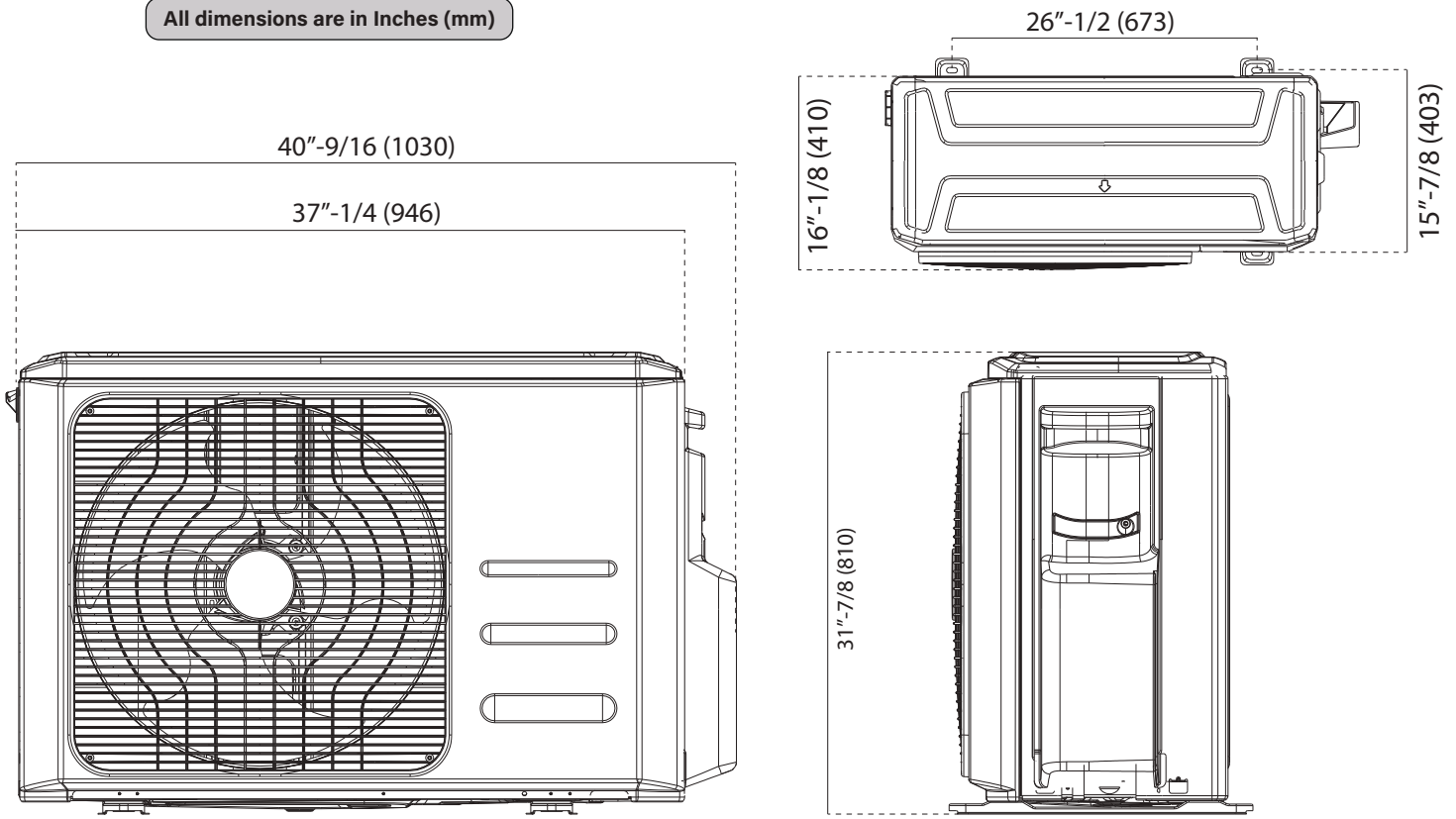
CB036GMSILDFHG Air Handler Dimensional Data



A	B	C	D	E	F	G	H	I	J
165 mm	100 mm	245 mm	60 mm	92 mm	98 mm	101 mm	139 mm	142 mm	146 mm
6-1/2 in.	3-15/16 in.	9-5/8 in.	2-3/8 in.	3-5/8 in.	3-7/8 in.	4 in.	5-1/2 in.	5-9/16 in.	5-3/4 in.



All dimensions are in Inches (mm)



Warranty Information and Length



Complete warranty details are available with the vendor or online at <https://www.pdhvac.com/support/warranty/>. This high quality system is eligible for up to 10 years limited warranty on the compressor, and 7 years on other internal parts. To qualify for this warranty, the system must be installed within 90 days by a registered technician. All other installations that are registered default to 5 years parts/compressor. Products unregistered qualify for only 1 year parts/compressor warranty.

Outstanding Features

- LED Display
- Energy Saving
- Ultra-Thin Design
- Dual Drain Options
- Customizable Timer
- Eco-Friendly Refrigerant
- Whisper-Quiet Operation
- Power Loss Memory Recovery



Available Accessories

Part Number	Description
IKT-LCVR4P-KIT	Decorative PVC Line Cover Kit
IKT-LNBR-1/4-3/8	BendAid Flexible Easy Bender Kit
BRK-FRM-C-2P	Folding Mounting Bracket w/ Leveler
IKT-UVL32UL-AG	UVC Bacterial Disinfection Kit
IKT-SURPRK-DV2	Ultimate Surge and Power Protection