

Forno Biagio 30" Wall Mounted Range Hood Stainless Steel, 600 CFM, Knob Control, Baffle Filter

Model: FRHWM5009-30



FEATURES AND BENEFITS

1. Single Motor Design with 600 CFM Airflow
2. Durable Stainless-Steel Baffle Filters
3. Knob Control
4. 3-Speed Fan Control
5. Ducted Ventilation System
6. Sleek Stainless Steel Finish



APPEARANCE

Size	30"
Style design	Wall Mount
Unit Color	Stainless steel
Ventilation Type	Ducted

FEATURES

Control type	Knob Control
Number of Hood filters	2
Hood Filter type	Baffle
Light Type	LED Bulb (gu10)
Number of Lights	2
Dimmable Lighting	Yes
Automatic Shut-Off Timer	Yes
Auto. Shut-off Timer Duration	5 min
Number of Motors	1
Duct Shape	Circular
Number of Ducts	1
Duct Size	6"

PRODUCT SPECIFICATIONS

Product Dimensions (WxDxH)(in)	29.5" x 24" x 18"
Net Weight (lbs & kg)	60 lbs 27.2 kg
Packaging Dimensions (WxDxH)(in)	34" x 24" 33"
Shipping Weight (lbs)	93 lbs

CAPACITY

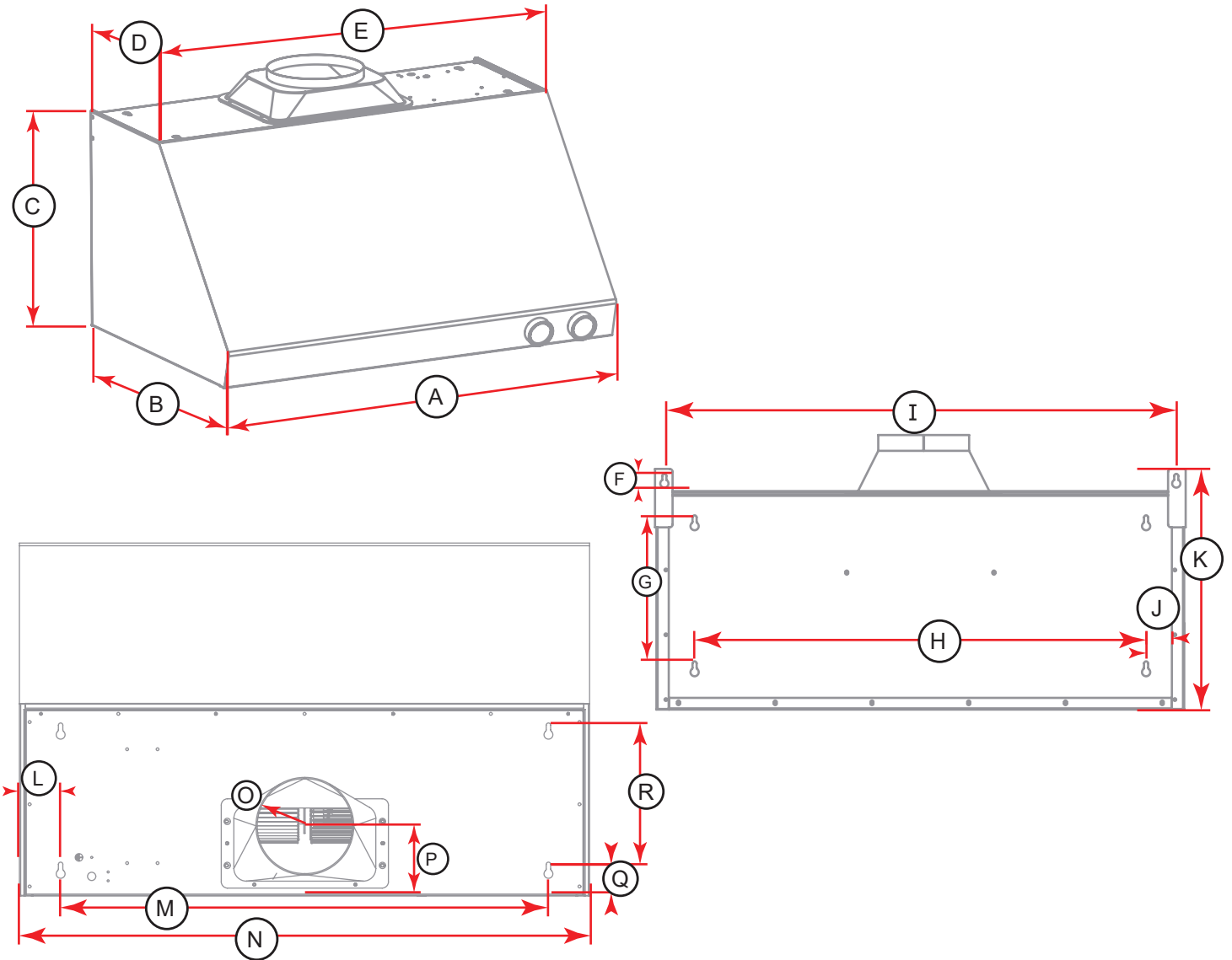
# Speed levels	3	
CFM (cubic feet per minute)	Level 1	350 CFM
	Level 2	450 CFM
	Level 3	600 CFM
Air flow	Level 1	795 m3/hr
	Level 2	765 m3/hr
	Level 3	1,020 m3/hr
RPM (Revolutions Per Minute)	Level 1	500
	Level 2	630
	Level 3	800
Noise Level at each speed	Level 1	52 dB
	Level 2	56 dB
	Level 3	63 dB

TECHNICAL SPECIFICATIONS

Running Amperage	2 Amps
Circuit Breaker Amperage	15 Amps
Volts	120V
Motor Power	80 Watts
Frequency:	60
Receptacle Type:	Nema 5-15P
Power Cord Length (ft)	4



PRODUCT DIMENSION



A	B	C	D	E	F	G	H
Overall Width	Overall Depth	Overall Height	Depth	Width	-	-	-
35 7/16"	21 31/32"	18 1/32"	11 9/32"	35 7/16"	1 1/32"	11 13/16"	30 5/16"
90cm	55.8cm	37.4cm	30.4cm	90cm	2.6cm	25cm	77cm

I	J	K	L	M	N	O	P	Q	R
-	-	-	-	-	-	-	-	-	-
34 3/8"	2 9/16"	18 1/32"	2 9/16"	30 5/16"	47 27/32"	7 7/8"	5 1/2"	1 31/32"	8 21/32"
87.3cm	6.5cm	37.4cm	6.5cm	77cm	90cm	15.4cm	11.05cm	5cm	22cm