



WALL INTERIOR TV STAND

V3_{sw} [HIGH TYPE]

Assembly Instructions [3rd Edition]

Thank you for purchasing this product.

In order to use this product safely and for many years, please read this document carefully and use the product correctly.

Also, keep this in a safe place so that you can refer to it as needed.

Please Note

- Nakamura Co. Ltd. assumes no responsibility for damage or injury of any kind because of the misuse or improper application of any part of this product in any way by any person.
- Nakamura Co. Ltd. shall not be liable for any indirect or consequential damages whatsoever.



caution

· THIS PRODUCT CONTAINS SMALL ITEMS THAT COULD BE A CHOKING HAZARD IF SWALLOWED.

· KEEP ALL PRODUCTS OUT OF THE REACH OF CHILDREN WHILE ASSEMBLING.

· THIS PRODUCT SHOULD NOT BE USED IN HOMES OR OTHER ENVIRONMENTS WITH SMALL CHILDREN WHO MAY ACCIDENTALLY TIP OVER THE STAND AND TV, UNLESS A WALL STRAP HAS BEEN INSTALLED TO HELP SECURE THE STAND AGAINST TIPPING OVER.

Nakamura Co. Ltd. shall not be responsible for any damages in the following cases:

- 1) When the customer resells the product to a third party.
- 2) In case of failure or damage due to careless or improper handling.
- 3) In case of failure or damage caused by use in combination with other products.
- 4) In case of natural disaster, fire, environmental destruction, harmful substances, war, abnormal voltage or malfunction or damage due to external factors.
- 5) If product is used for purposes other than the original purpose.

This product was manufactured in China (country of origin)
under the planning and quality control of Nakamura Corporation of Japan.
Some specifications may differ due to improvements for better quality.

Nakamura Co. Ltd.

Official brand site : <https://equals.tokyo/>

Contact us in English : info-gl@nakamura-jpn.co.jp

Be sure to check before assembling

This product may not be used with certain TV models.

Be sure to check this product can be used with your TV before assembling, referring to the following.

1. Make sure that your TV meets all three of the following requirements

1-1. The size of the TV must be between 32" and 80"

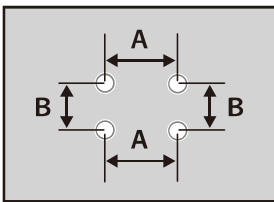
1-2. The weight of the TV (excluding the stand) must be 110 lbs / 50kg or less

1-3. Written documentation from the TV's manufacturer says it is a wall-mounted TV*

*Some TVs do not support wall mounting, even if the back of the TV may appear to support it.

2. Check the back side of your TV

2-1. The spacing between the four screw holes meets the conditions A and B below

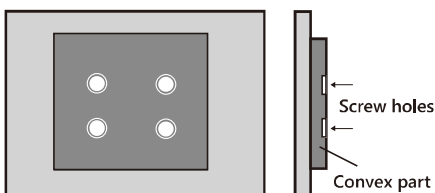


A : Any of 10, 20, 30, 40, 50 or 60cm

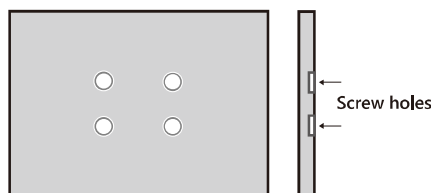
B : Within the range of 10 - 40cm

2-2. Satisfy all of the above conditions, and satisfy any one of the following

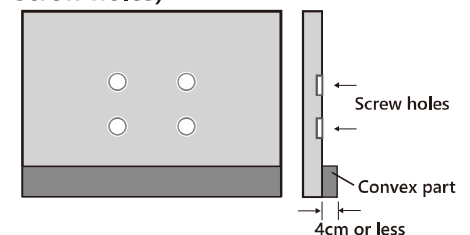
All 4 screw holes are on the raised part (shaded area) of the TV's back, or



There is no raised part near the surface of the 4 screw holes, or

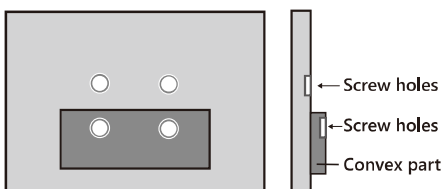


The difference in height between the raised part (shaded area) and the rest of the TV's back is 4cm or less (if the raised area is located below the 4 screw holes)

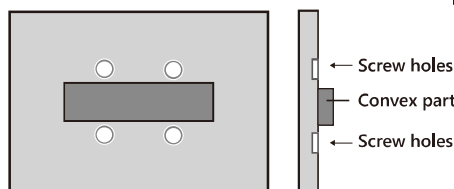


✗ The following TVs cannot be installed onto this product:

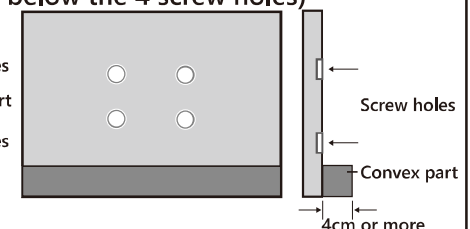
Less than all of the 4 screw holes are located on the raised part (shaded area) of the TV's back



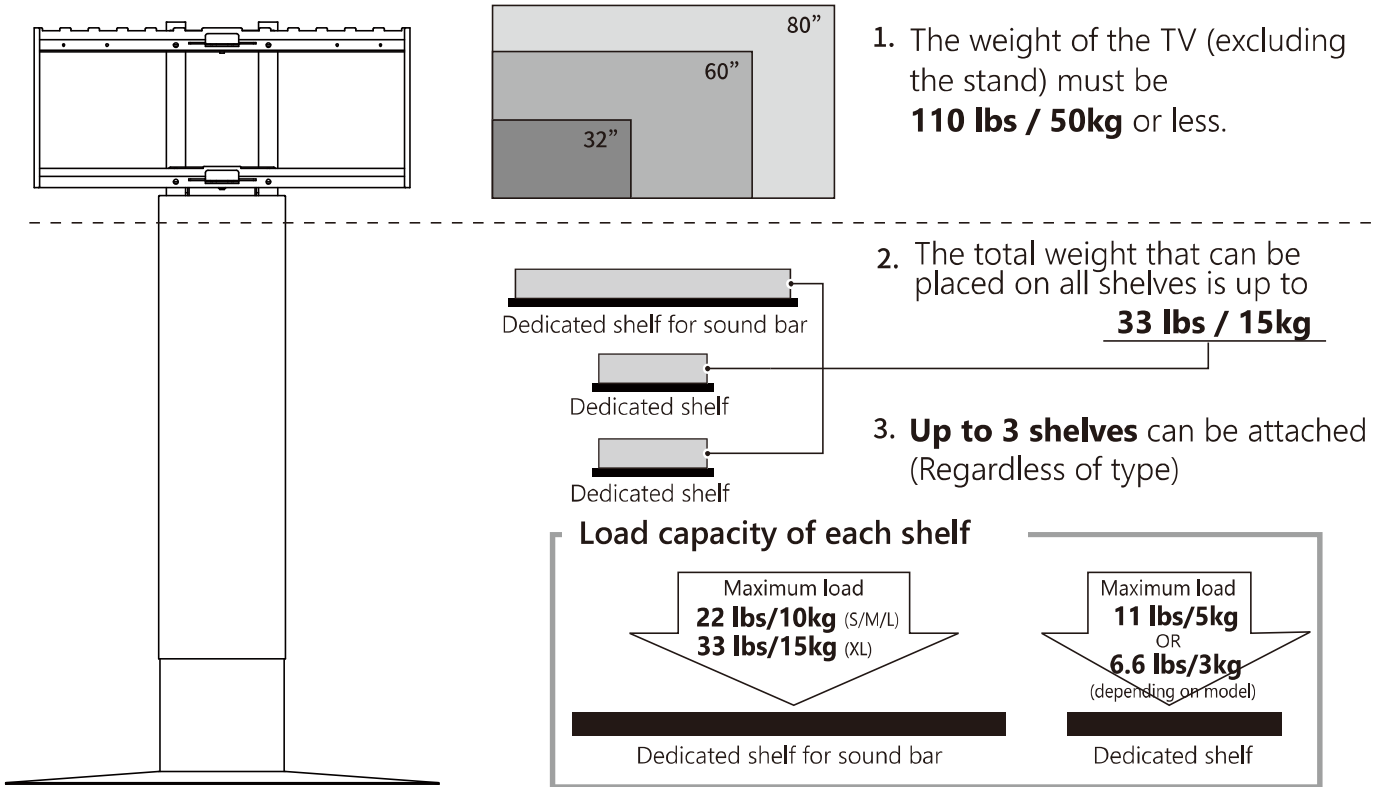
There is a raised part (shaded area) between the 4 screw holes



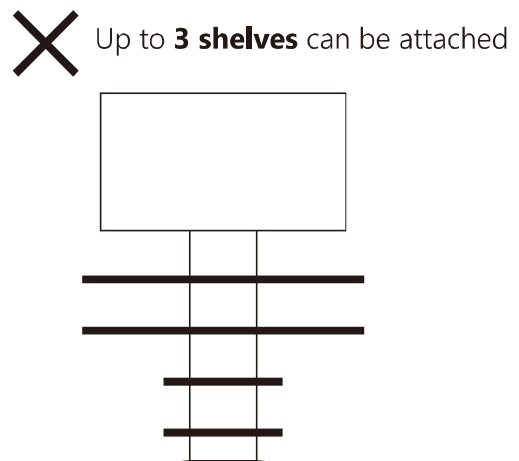
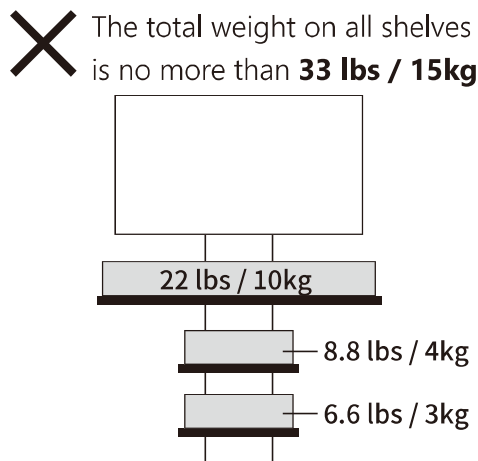
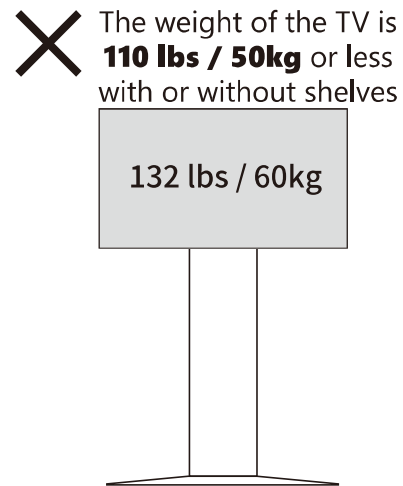
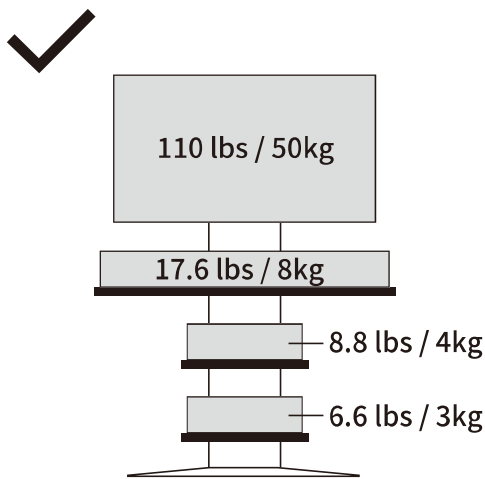
There is a difference of 4cm or more between the height of the raised part (shaded part) and the rest of the TV's back (if the raised part is located below the 4 screw holes)



3. Precautions regarding load capacity and installation of shelf



as of August 2022



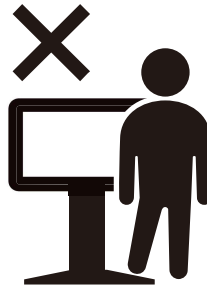
Safety precautions

Failure to abide by the following advisories may result in personal injury or property damage:



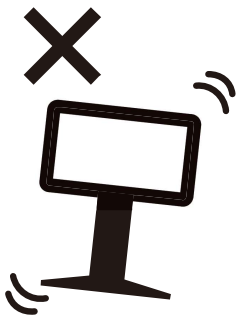
Securely tighten bolts and screws in place before installing the TV

The TV stand may fall over or the TV may fall off, resulting in damage or injury.



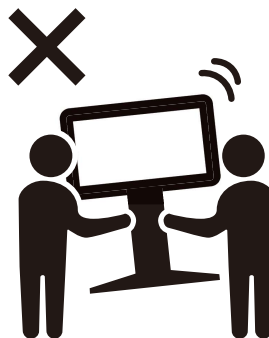
Do not step on the base

The TV stand may fall over or the TV may fall off, resulting in damage or injury.



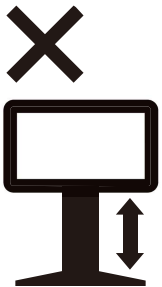
Do not install the TV stand on a unstable place

Install on a flat and stable place with sufficient load bearing strength. (Do not install on sloped or uneven surfaces, unstable surfaces such as carpets, or deformed surfaces)



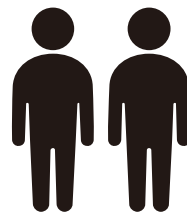
Do not move the TV stand with the TV installed

The TV stand may fall over or the TV may fall off, resulting in damage or injury.



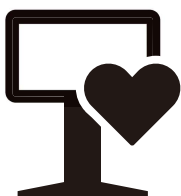
Do not adjust the height with the TV installed

The TV stand may fall over or the TV may fall off, resulting in damage or injury.



Be sure that two or more persons assist in lifting, when moving the TV stand and installing or removing the TV

The TV stand may fall over or the TV may fall off, resulting in damage or injury.



Do not apply pressure directly to the TV screen. TV screen can be damaged when pressed too hard

Refer to the instruction manual of the TV for how to hold the TV. And be careful when you move the TV stand with casters.



Never allow children to climb, hang or move the TV stand and TV.

The TV stand may fall over or pinch your toes, resulting in damage or injury.

There is a risk of tripping over cords, which could lead to the TV stand or TV falling, posing a danger of tripping for yourself and your family. Please exercise extra caution when using this in places with small children or elderly individuals.

Nakamura Co.Ltd. assumes no responsibility for damage or injury of any kind because of tipping over the stand and TV in case of an earthquake or accident.

1 **Assembly and installation**

1-1. **Causes of falls and damage**

Be sure to assemble and install on a stable and flat surface. Spread a thick cloth or cardboard over the workspace so as not to damage the floor or walls.

1-2. **Causes of falls and damage**

Install the stand and TV close to the wall, attach a strap, and take measures to prevent it from tipping over.

1-3. **Causes of discoloration and damage**

For indoor use. Keep away from direct sunlight, as well as direct airflow from heating or, air conditioning.

1-4. **Cause of fire or malfunction**

If you block the ventilation holes of a flat-screen TV, heat may be trapped inside and cause a fire, so leave a sufficient distance from the wall.

1-5. **Causes of fire and electric shock**

When installing or removing a flat-screen TV from this product, be sure to turn off the power switch of the flat-screen TV, unplug the power plug from the outlet, and disconnect external connection cords (such as the cord between the antenna and TV). Otherwise, the cord may be damaged, resulting in fire or electric shock.

2 **During use**

2-1. **Causes of falls, injury and damage**

Do not stand or hang on the product or use it for anything other than a TV stand.
Do not apply a concentrated load to the TV stand. (It may tilt).
When moving the product, always remove the TV and move it slowly by two or more persons.

2-2. **Cause of injury**

Be careful not to pinch hands or fingers.

2-3. **Causes of fire and discoloration**

Do not use near a fire or heat source such as a stove or heater.

2-4. **Cause of odor**

When unpacking, there may be residual smells from packing materials or paint. Wipe well with a clean dry cloth and leave in a well-ventilated place for a while.

3 **Care and maintenance**

Causes of cracking, discoloration and deformation

Do not wipe the surface with a damp cloth.
Do not use cleanser, thinner, benzene, alcohol, kerosene, etc.

- Use a soft cloth soaked in a diluted neutral detergent, tightly wrung, to remove dirt, and wipe off any residual moisture with a dry cloth.

- Check the screws regularly and tighten them securely if they are loose. (Once a month)



WALL INTERIOR TV STAND

V3_{sw} [HIGH TYPE]

	SATIN WHITE	SATIN BLACK	WALNUT	WHITE OAK	WALNUT BASE	WHITE OAK BASE	CLAY BEIGE
model number	WLTVZ6111	WLTVZ6119	WLTVZ6238	WLTVZ6232	WLTVZ6W38	WLTVZ6W32	WLTVZ6133
product ID	D05000219	D05000220	D05000221	D05000222	D05000227	D05000228	D05000313
type	high type						
size	W76 D52 H126.5 - 166.5 cm						
material	steel						
surface finish	powder coating						
weight	48.5 lbs / 22kg						
maximum load	China						
country of origin	80" (110 lbs / 50kg equivalent)						

INDEX

Assemble by two or more people
Required tools : screwdriver (+)

Assemble the TV stand P.06~

Prepare to install the TV P.10~

Select a TV installation type P.16~

Install the TV to the TV stand P.19~

How to horizontally adjust the TV P.24~

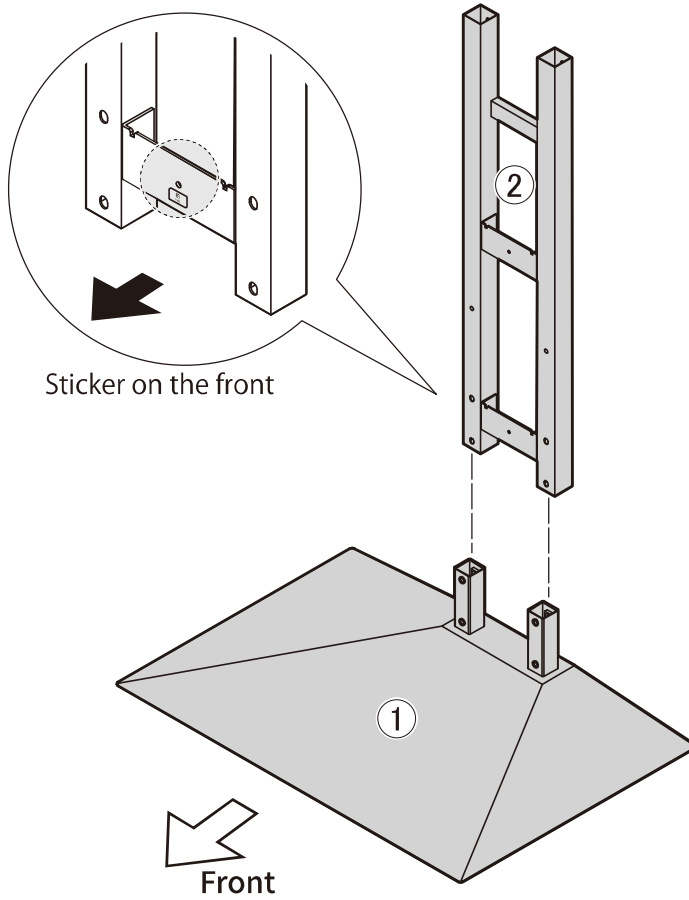
How to swivel the TV left or right P.25~

Assemble the TV stand

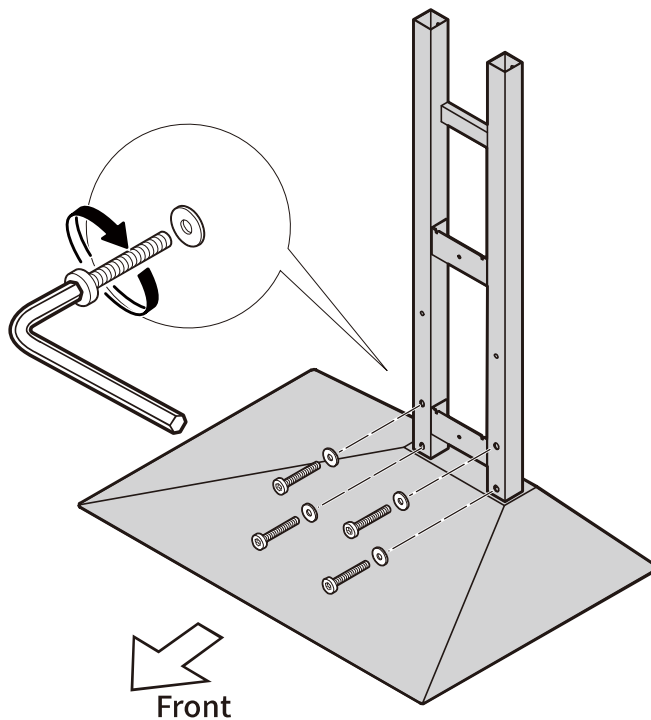
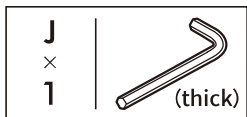
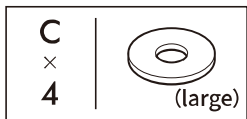
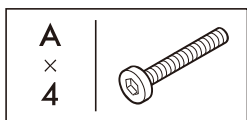
Assembly time (approximate) 60~90min.

1  Install facing the front as shown

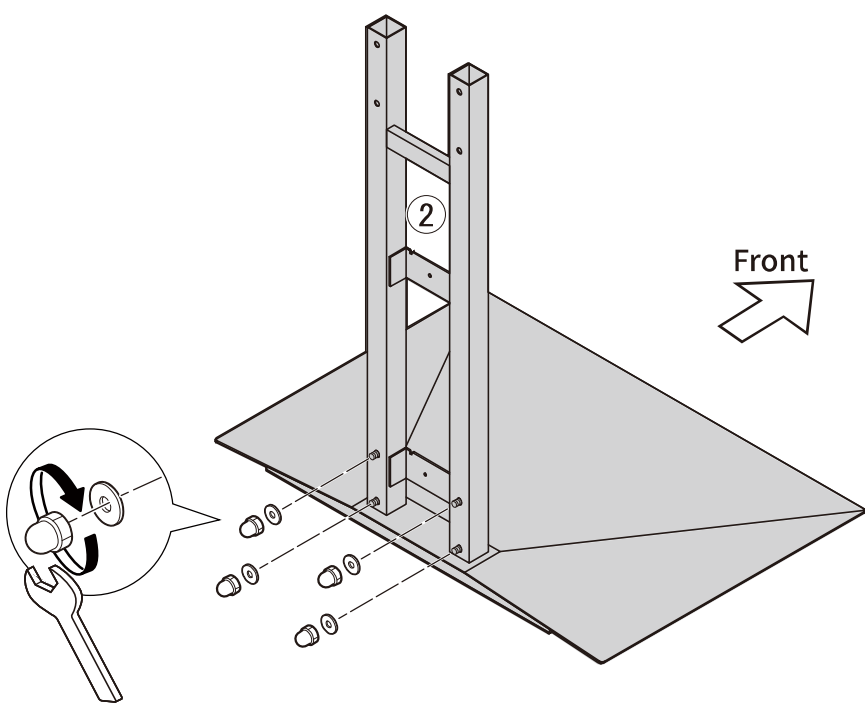
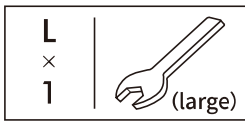
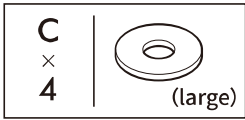
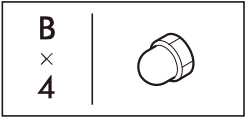
Point



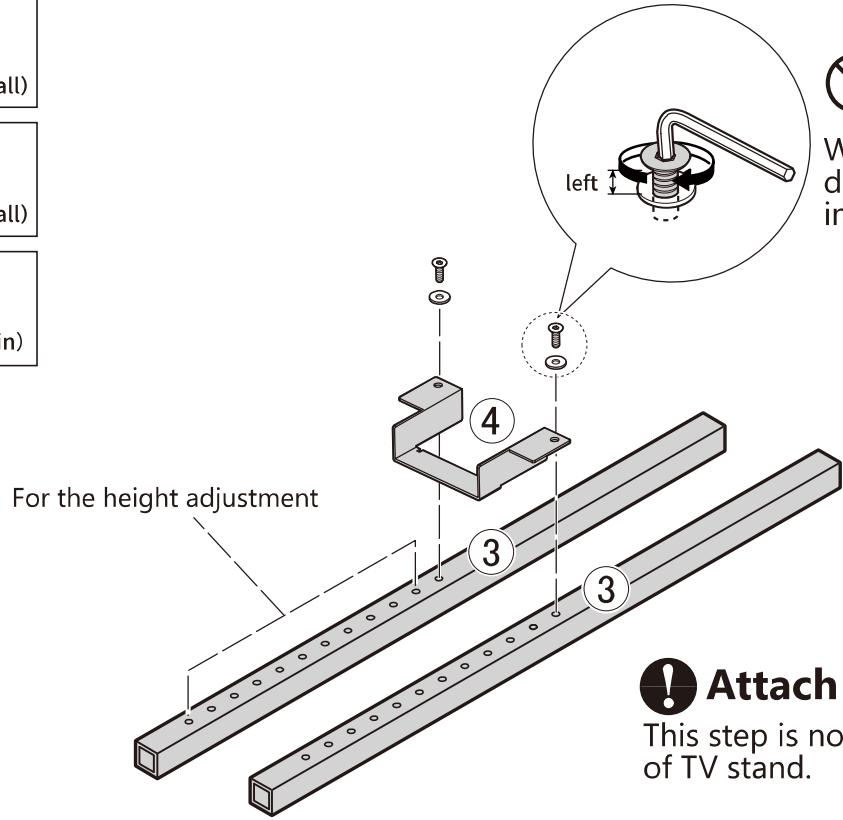
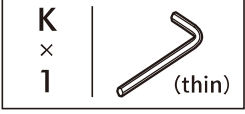
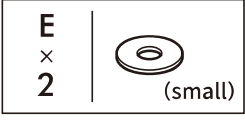
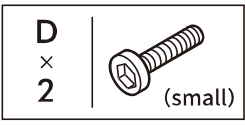
2



3



4



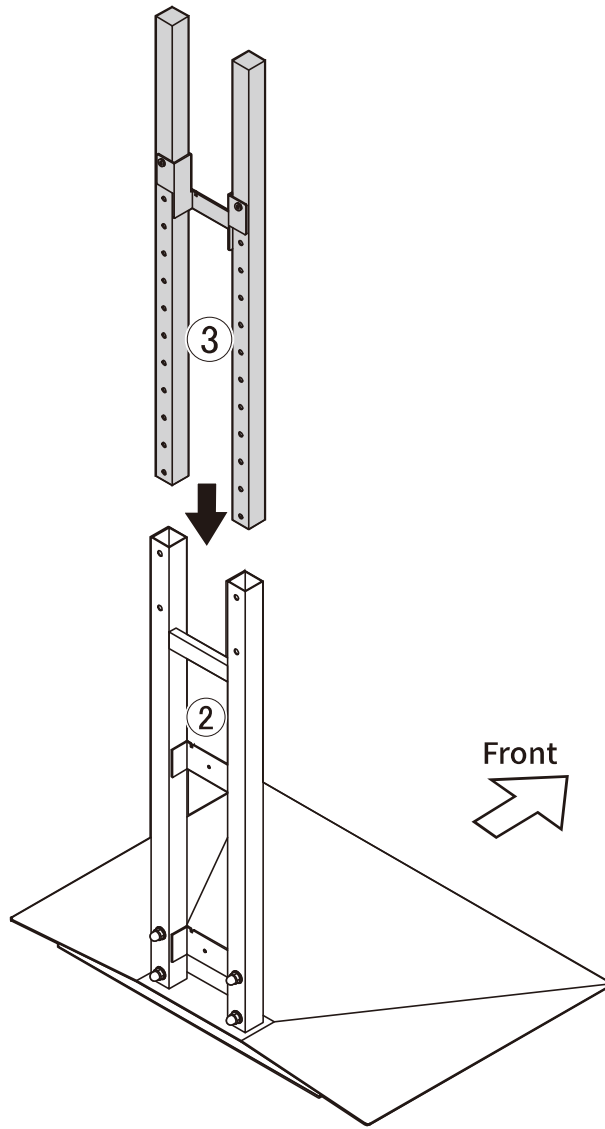
Do not fully tighten

When the final tightening is done, ③ will not be inserted in ② in the next step.

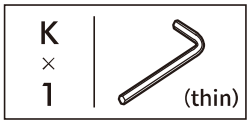
! Attach it on the top holes

This step is not for the height adjustment of TV stand.

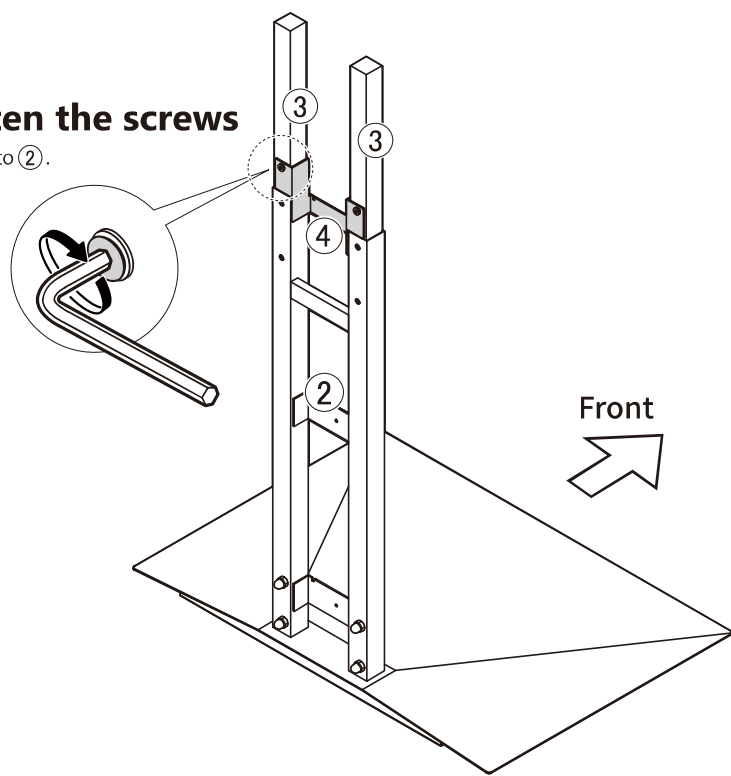
5



6

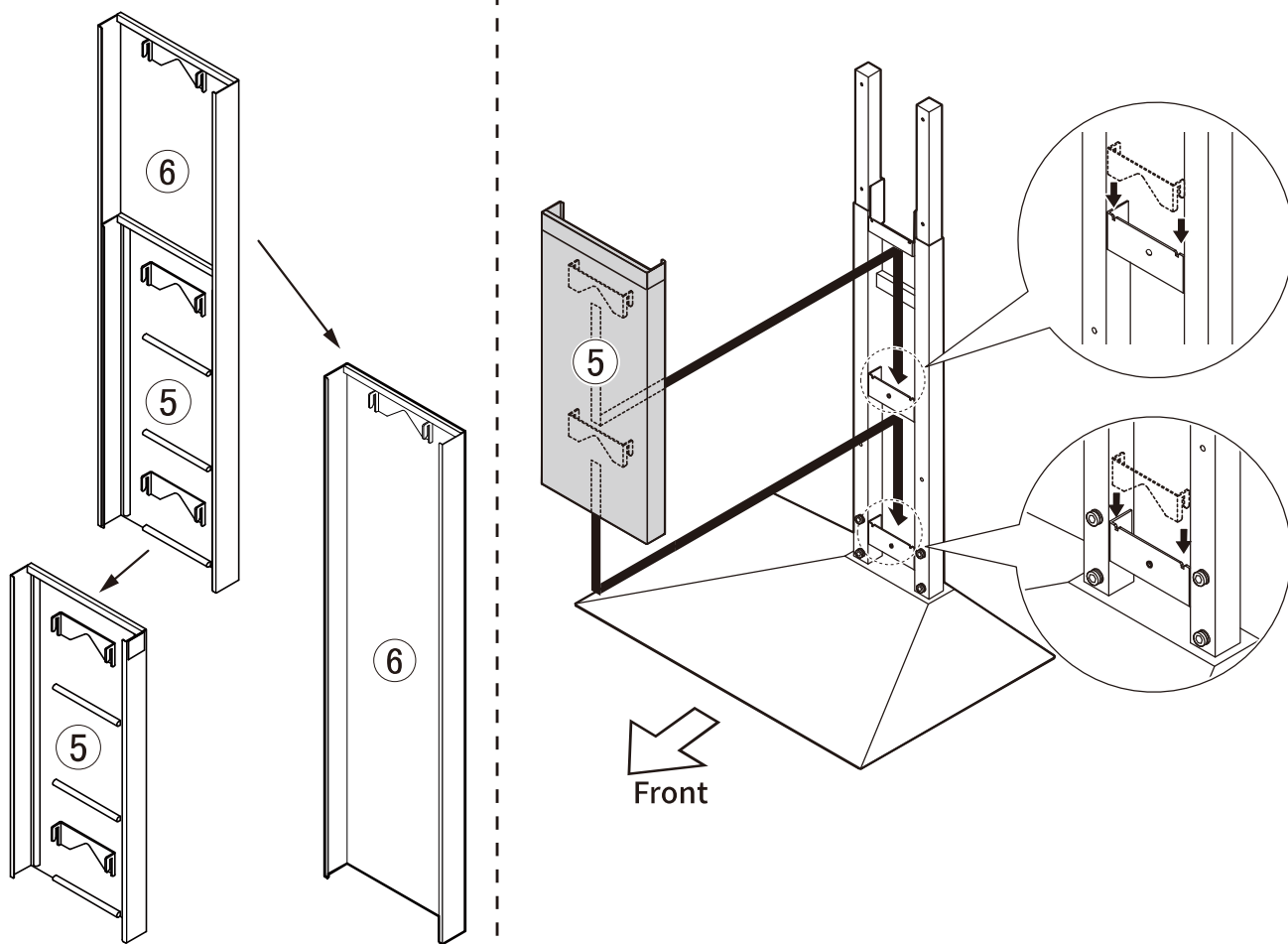


! Fully tighten the screws
After inserting ③ into ②.

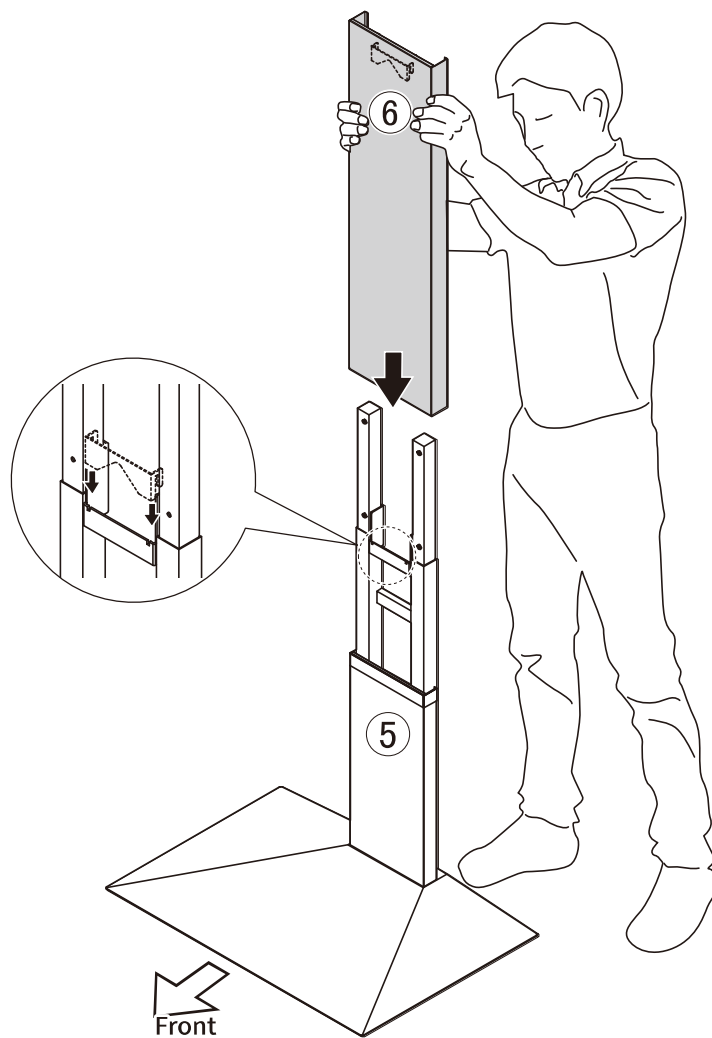


7

⑤ and ⑥ are packed in layers



8

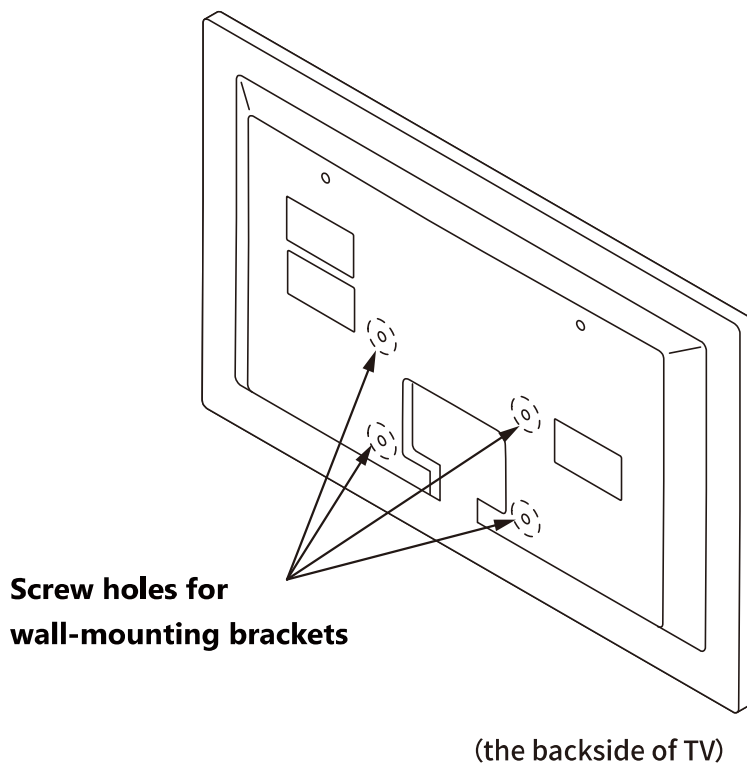


Prepare to install the TV

- 1: Check the screw holes on the back of the TV**
- 2: Check the shape on the back of the TV**
- 3: Check the diameter of the screw holes**

1: Check the screw holes on the back of the TV

Please check the instruction manual of your TV to confirm the position of the mounting screw holes for wall-mounting brackets.



2: Check the shape on the back of the TV

Apply the TV mounting bracket to the TV

The shape of the back of the TV determines whether or not the spacer (large) is used.

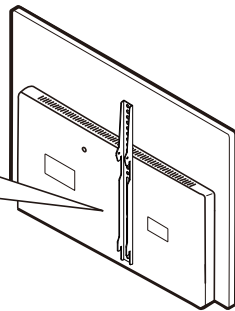


It is designed so that it can be attached to various TVs. Please install it according to the installation method that suits your TV. Some TVs recommend a dedicated mounting method, so please check the TV wall-mounted design manual.

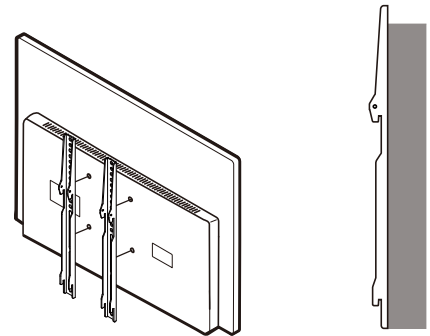
spacer (large)		spacer (small)	
U × 8		V × 8	

Flat back shape

The TV mounting bracket can be attached vertically to the TV.

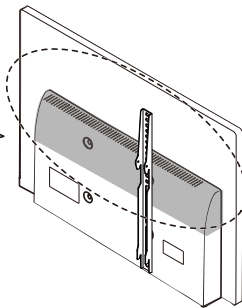


No spacer required

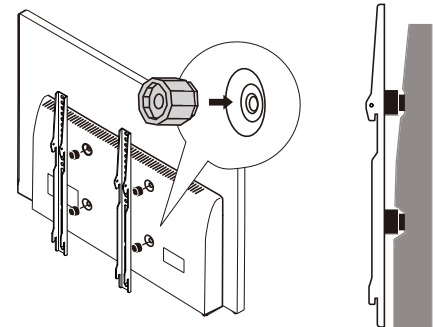


Top of back is slanted

When you try to attach the mounting bracket, it attaches diagonally.

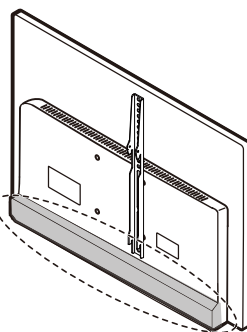


How to install A

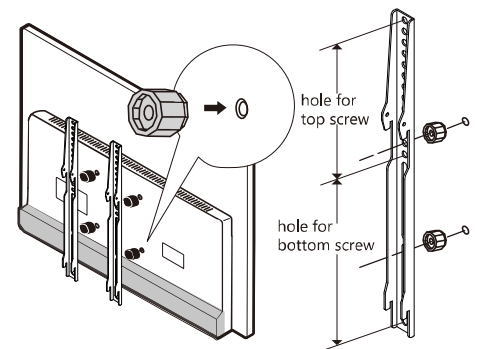


Bottom of back is protruding

To avoid sliding, do not put two screws into the two long holes at the same time. One of the screws should be put in the round hole.

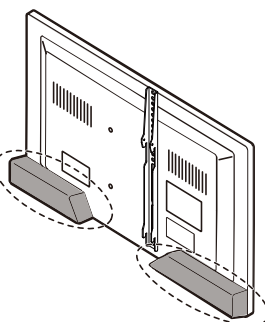


How to install B



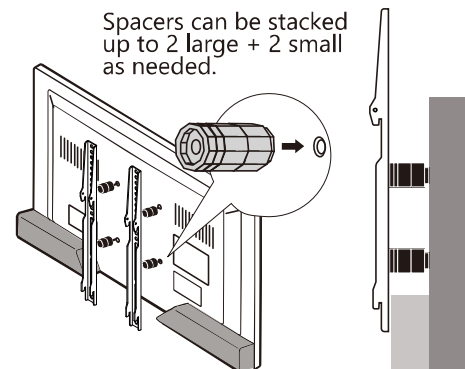
Bottom of back is protruding partially

If there is a step, use a spacer. It may interfere with the stand body.



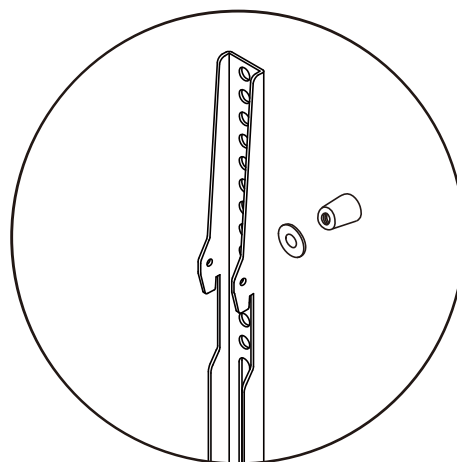
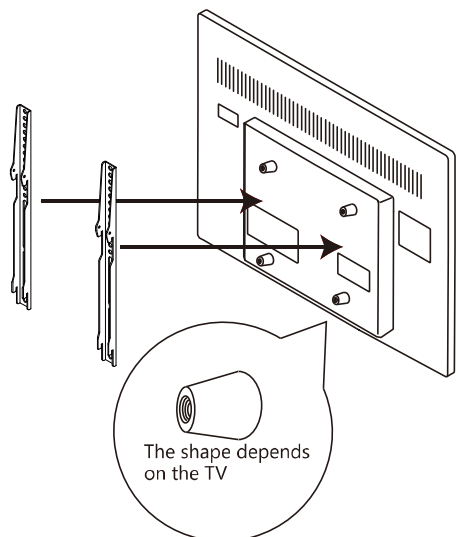
How to install C

Spacers can be stacked up to 2 large + 2 small as needed.



In cases like this

There is a screw hole in the protrusion and the TV mounting bracket does not fit well.



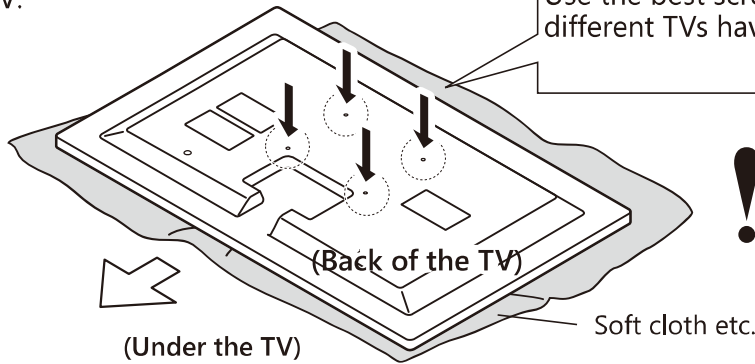
Use the washer attached to the stand as shown in the image, when the diameter of the protrusion is small and it gets into the hole of the mounting bracket.

3: Check the diameter of the screw holes

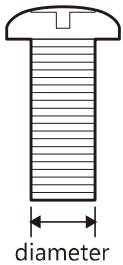
Check the diameter of the screw hole by inserting the screw.







! To prevent the panel from cracking, some TVs should not be laid down, so please check the instruction manual of the TV.

Use the best screws and washers, as different TVs have different screw sizes

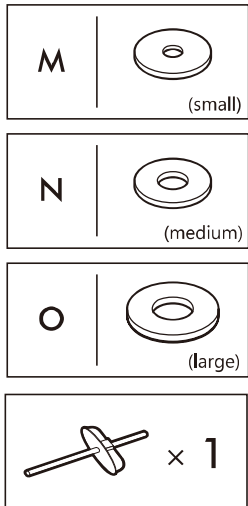


! Do not install the screws yet

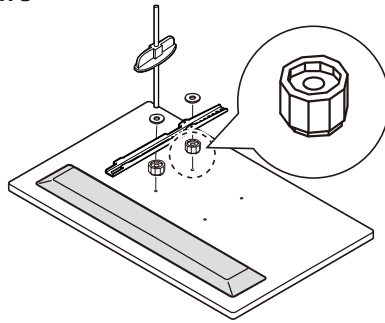


M	N	O
 × 4 (small)	 × 4 (medium)	 × 4 (large)
 × 4 each (15, 25, 35mm)	 × 4 each (15, 25, 35, 45, 55mm)	 × 4 each (15, 25, 35, 45mm)

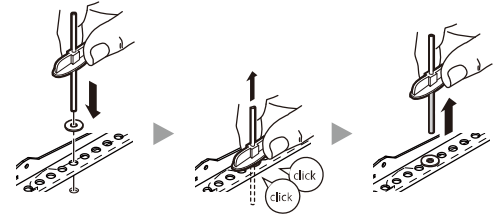
Measure the depth of the screw hole



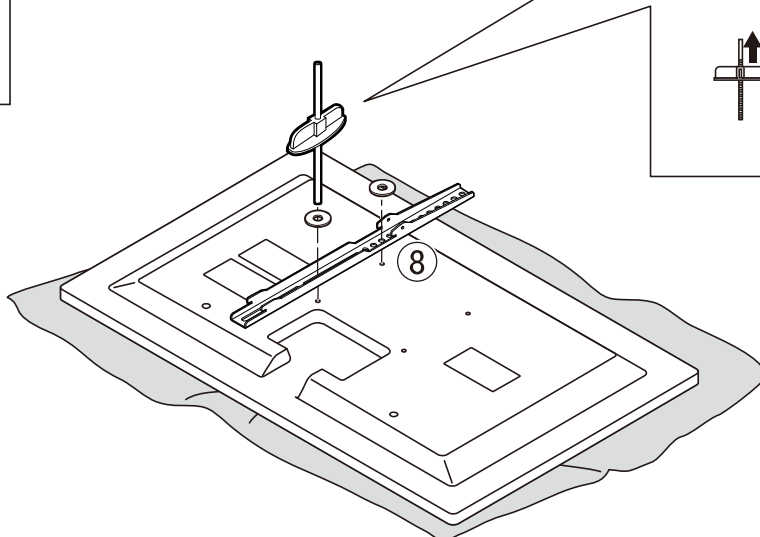
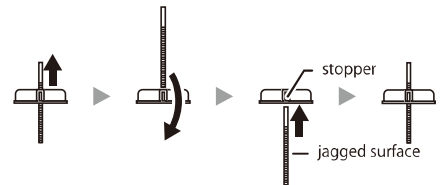
! Info When using a spacer, measure as shown in the illustration.



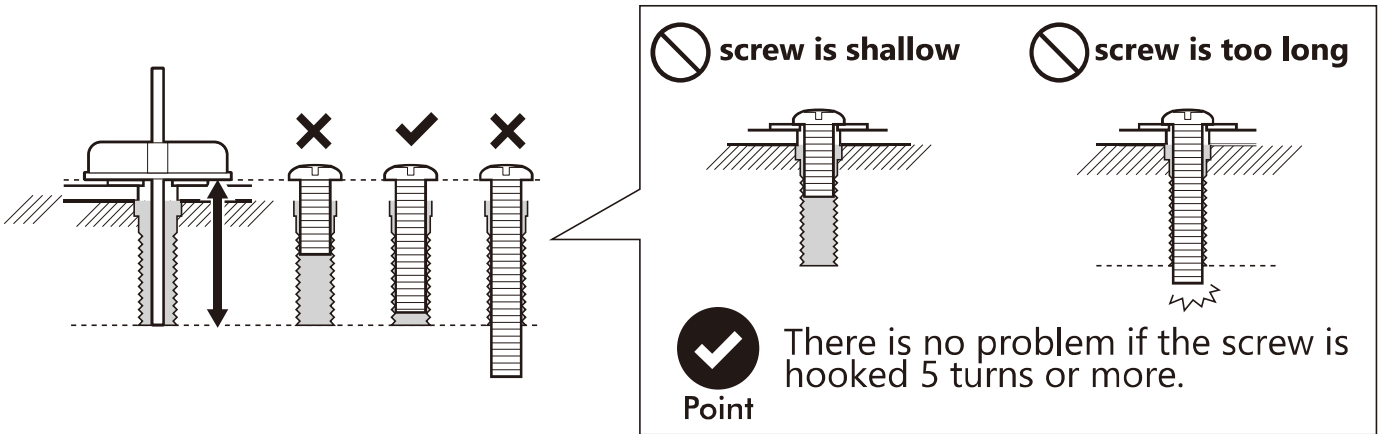
Insert a screw hole measurement tool instead of a screw to measure the required screw length.




How to reset the tool



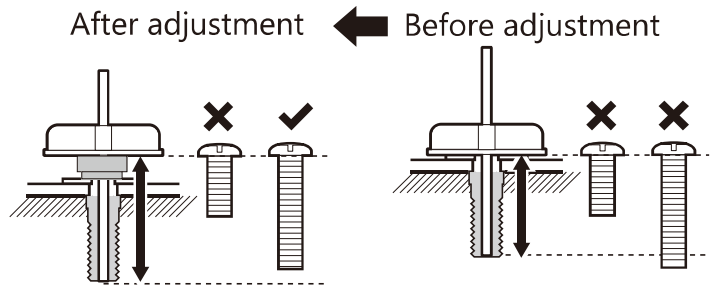
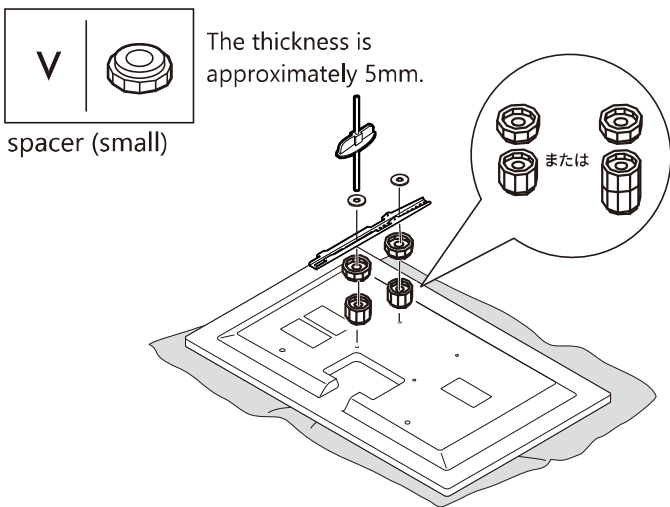
Choose the screw of the required length



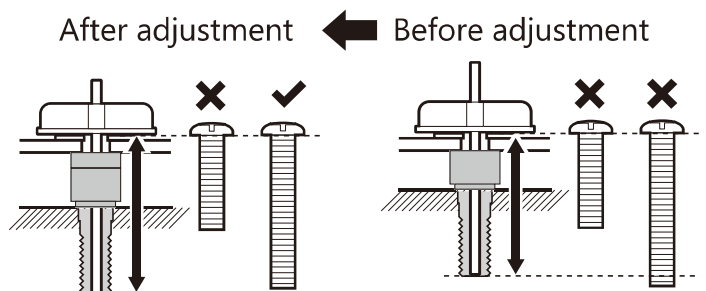
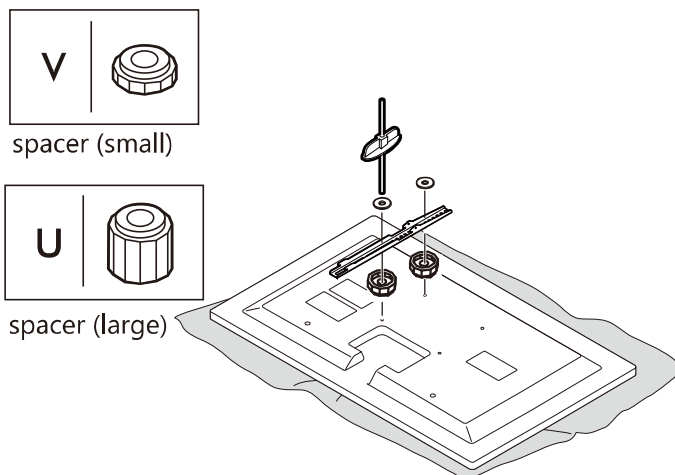
 If the thickness of the screws in the screw set does not match or the length of the screws is not enough, please purchase.

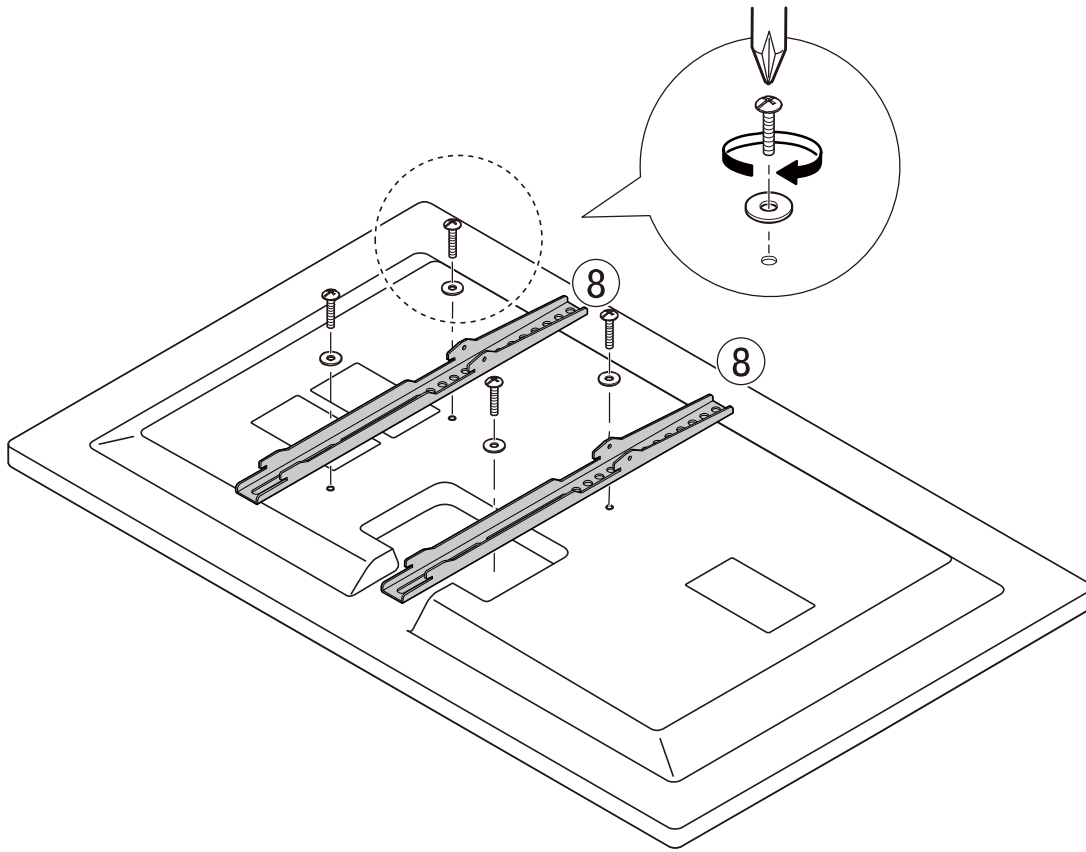
Info M (diameter) x (length) mm
 e.g. 5mm diameter, 15mm length
 --> M5 x 15mm
 Please select "truss screws" or "pan screws".

If you can't find a screw of the required length, use spacer(small) to adjust the screw length.



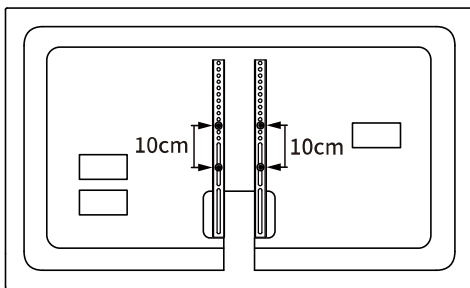
When used in combination with a spacer (large)



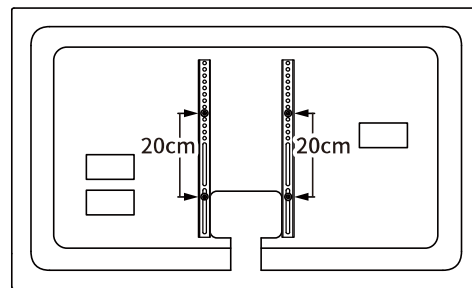


Recommended mounting position

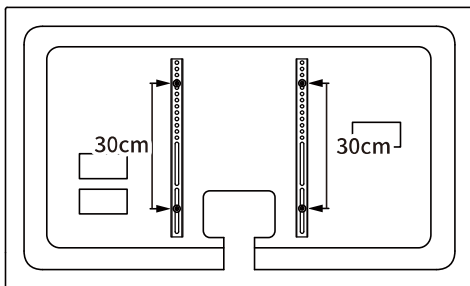
10cm



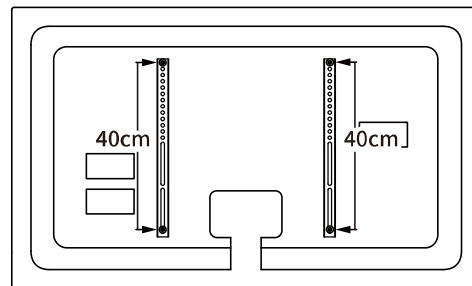
20cm



30cm



40cm



Please make sure that the TV mounting bracket ⑧ does not protrude from the top or bottom of the TV.
If wiring interferes with the brackets, shift the installation position or use the spacers.

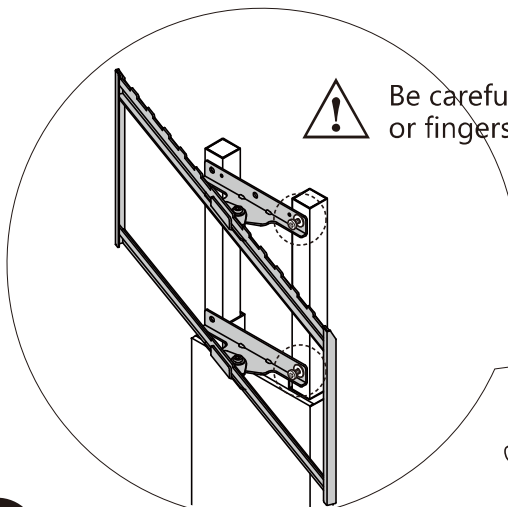
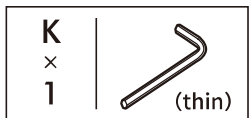
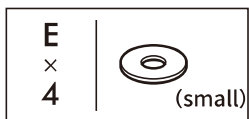
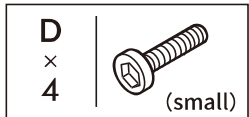
Select a TV installation type

Swevel type

Go to **10-A**

Non swevel type (You can set the TV more toward the wall) Go to **10-B**

10-A Swevel type

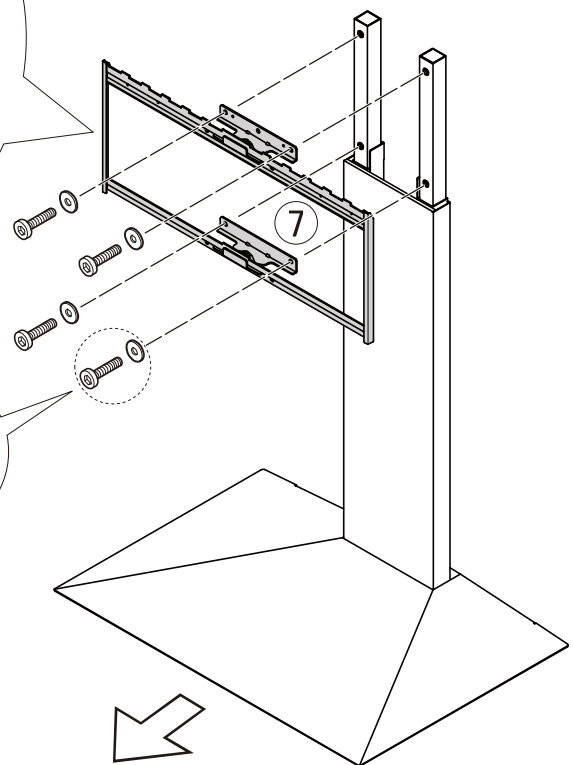
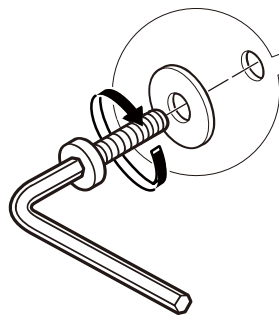


Be careful not to pinch hands or fingers in moving parts

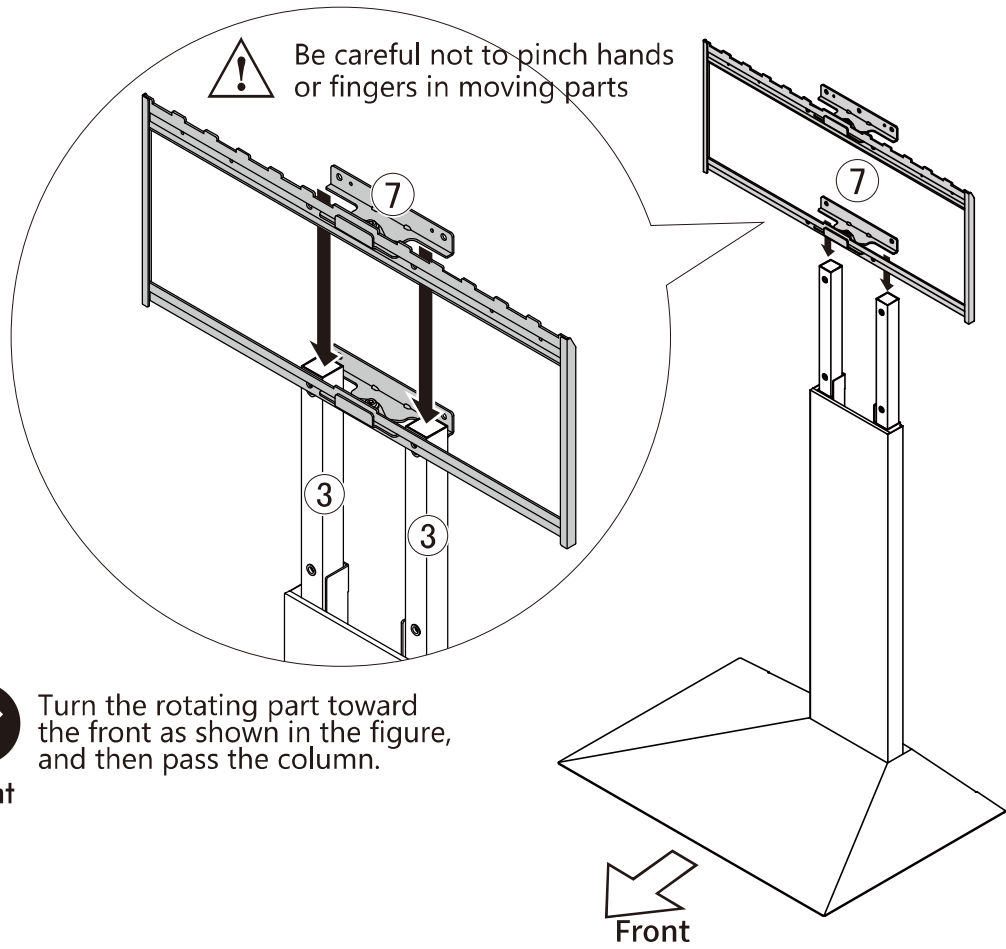





Sweveling the part makes assembly easier.

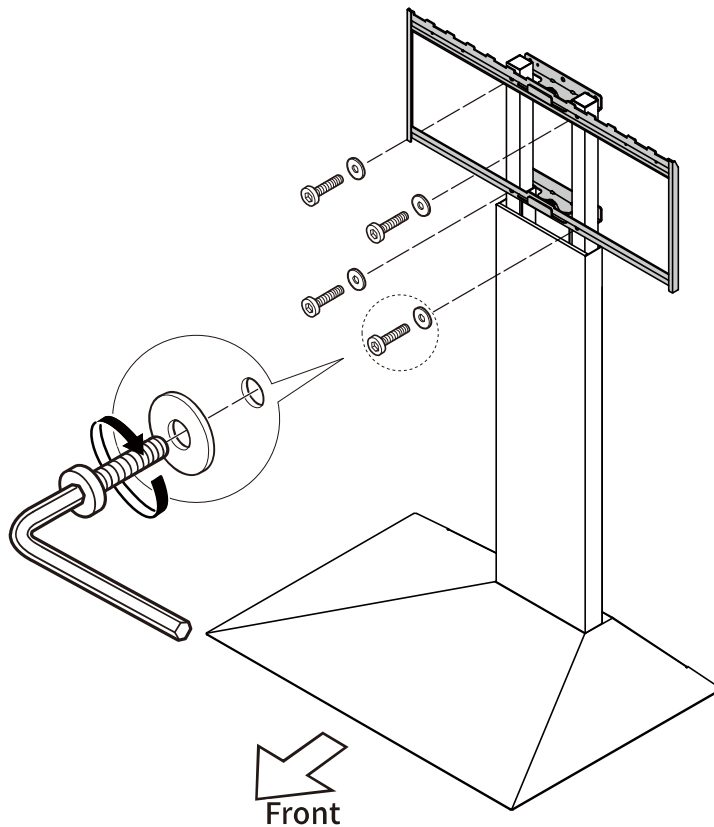
Point



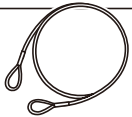



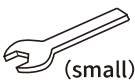

10-B Non swivel type

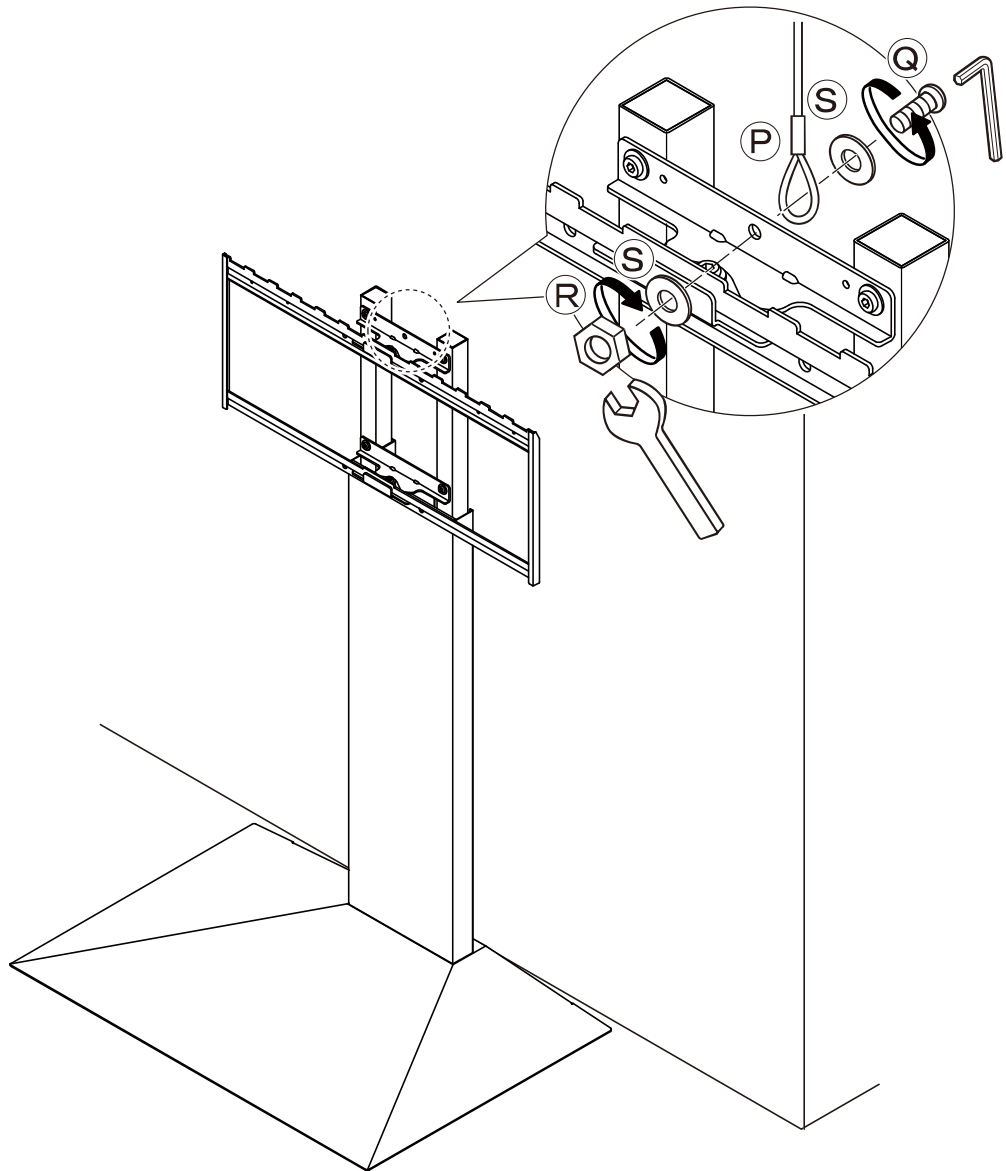


- | | |
|-----|---|
| D |  |
| × 4 | (small) |
| E |  |
| × 4 | (small) |
| K |  |
| × 1 | (thin) |



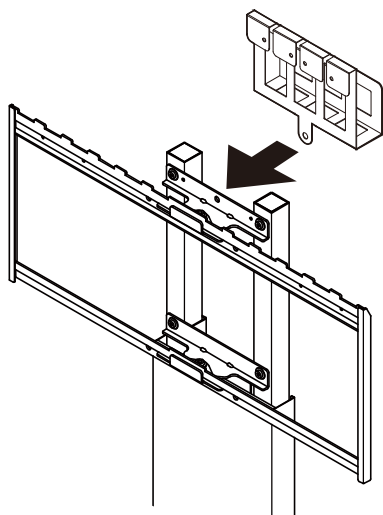
11 Installation of fall prevention metal fittings

P × 1	
Q × 1	
R × 1	
S × 2	
T × 1	 (small)
K × 1	 (thin)



[Sold separately] Installation of HDD HOLDER

• Install it here before installing the TV.



- Attach it together with the screw hole to attach the fall prevention wire.
- It can be mounted in the center of the frame or on the right and left.

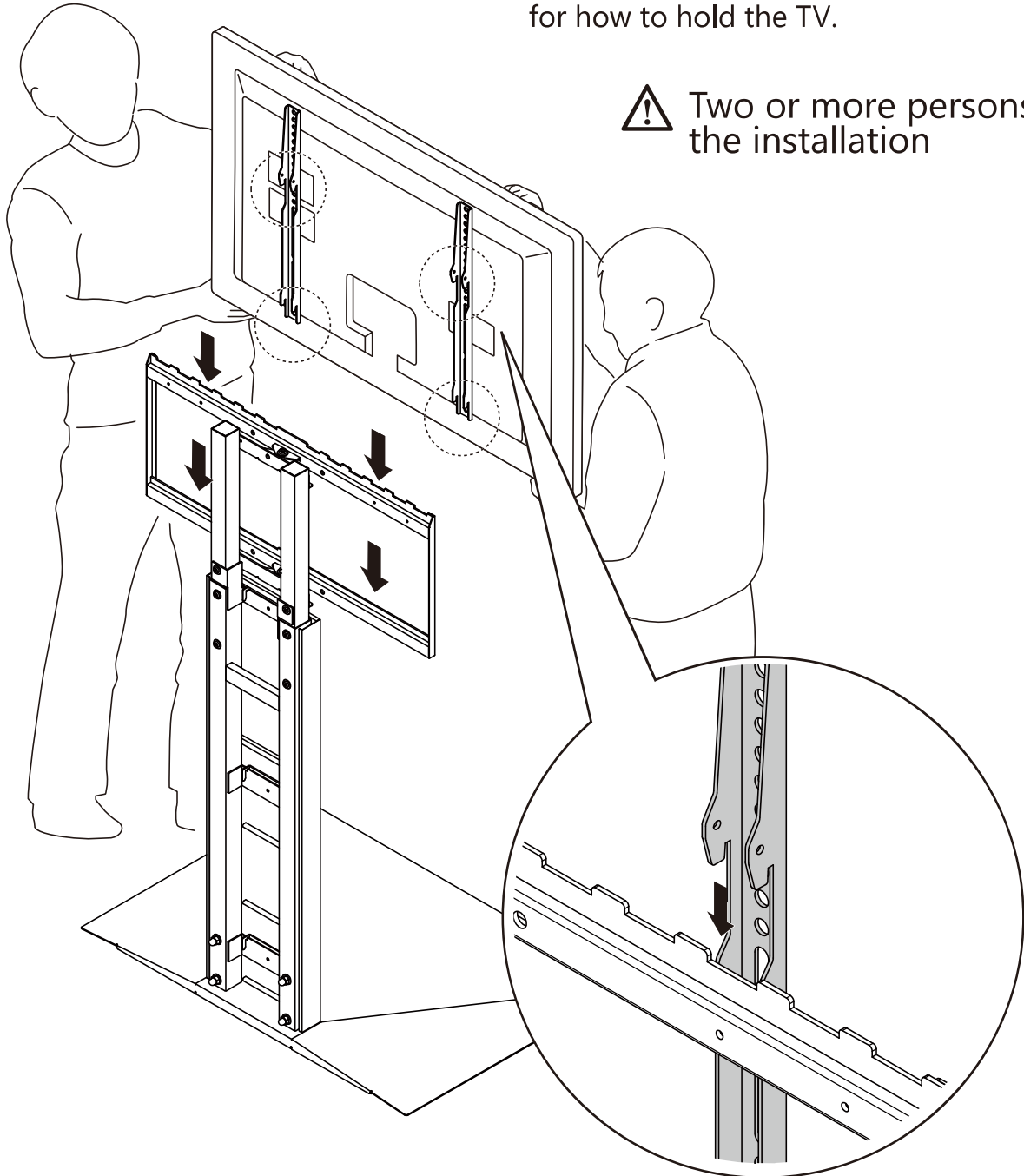
Install the TV to the TV stand

12

⊘ **Do not apply pressure directly to the TV screen. TV screen can be damaged when pressed too hard.**

Refer to the instruction manual of the TV for how to hold the TV.

⚠ **Two or more persons do the installation**

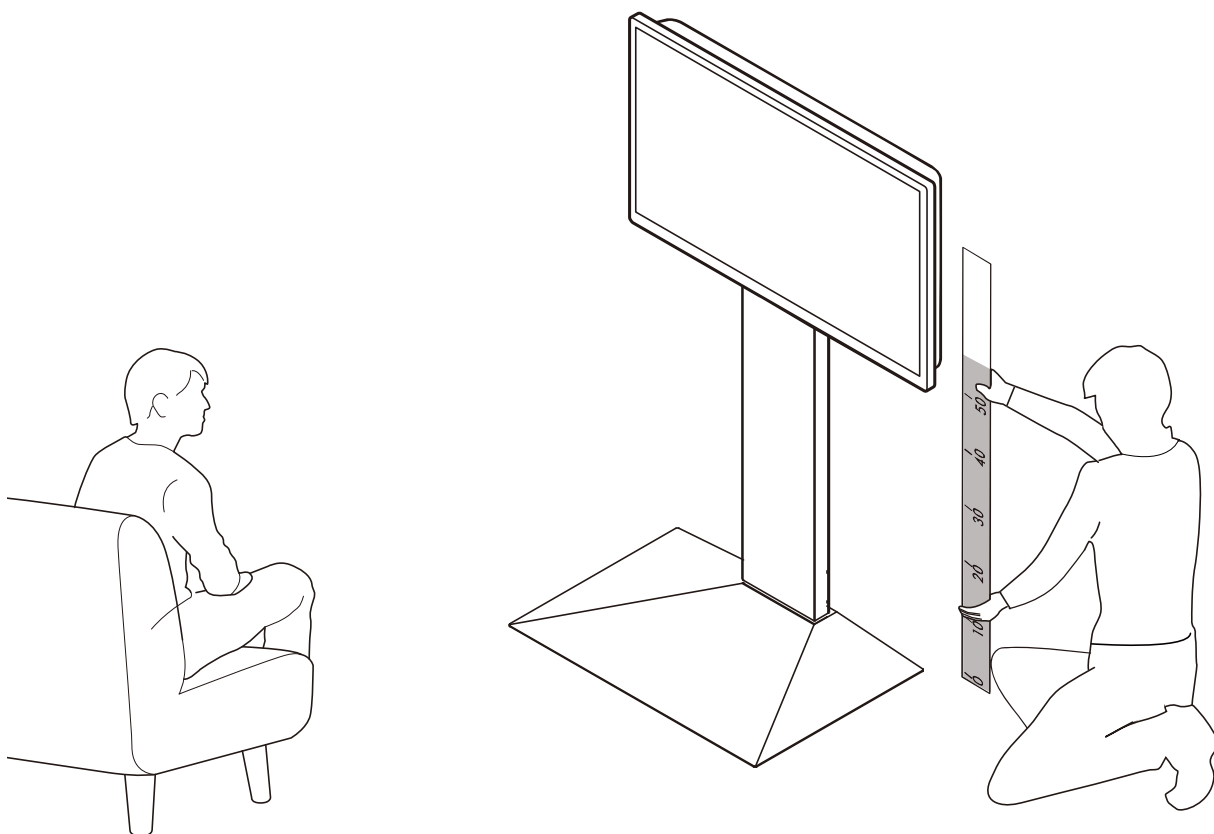


Determine the installation height of the TV

Temporary installation of TV

1. **Check if upper pillars ③ are not exposed above or below the TV from the front view.**
2. **Check the installation height of TV**
[The height can be adjusted by 5 cm by changing the screw fastening position of upper pillars ③.]
3. **Check the tilting of the TV, the level of the left and right sides of the TV.**
[There is allowance for the screw holes to hold the bracket in place,
The brackets can be shifted up and down a little. Adjust it when adjusting the left/right height.]

 **When changing the height, please remove the TV and make the adjustment.**

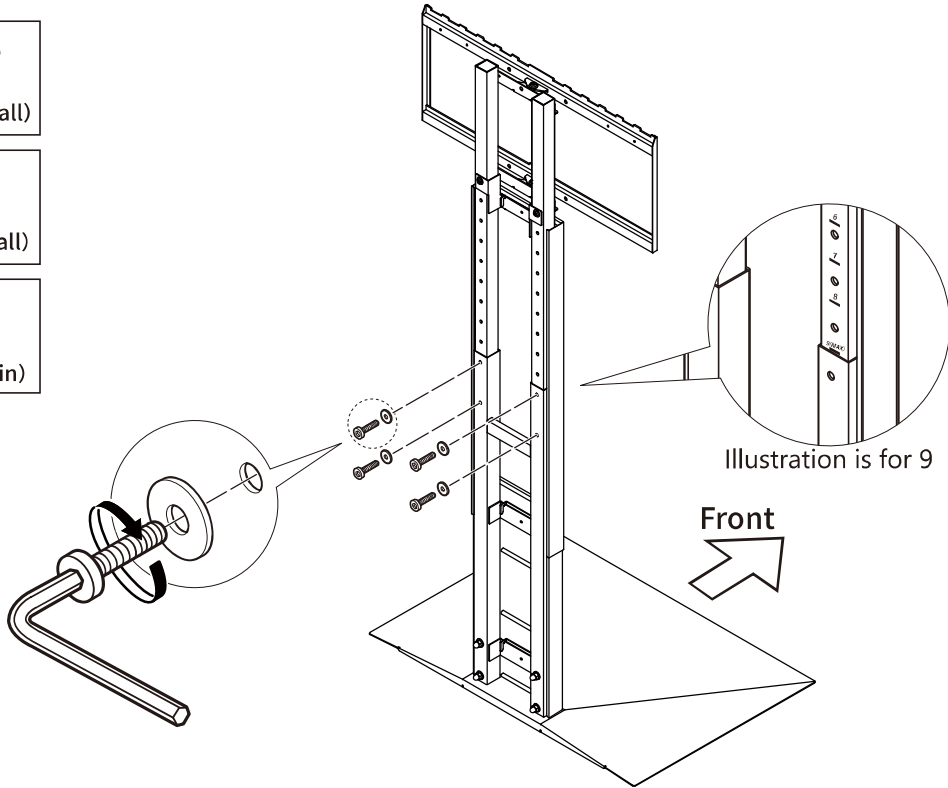
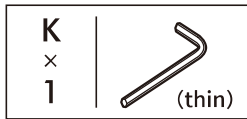
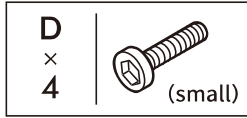


13 Assemble the TV stand to the determined height

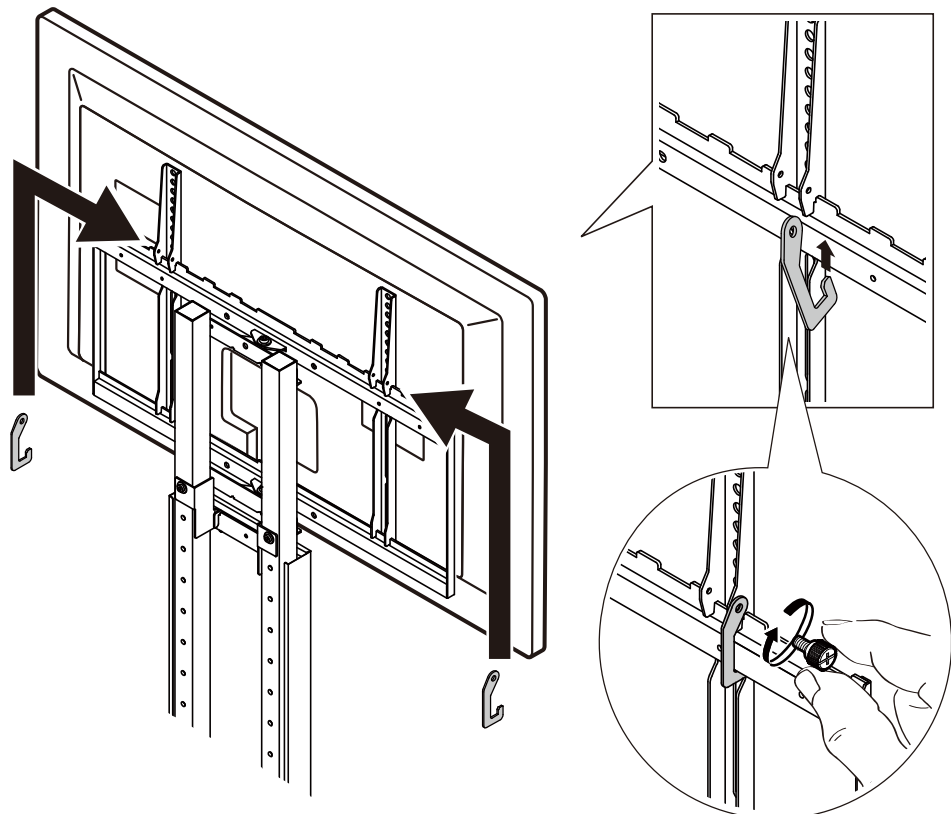
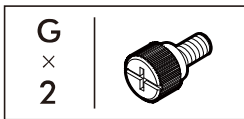
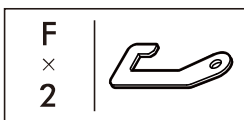
Check the height adjustment list for the desired height column. You can see the number on the mounting screw holes.

Height adjustment list

+0cm	+5cm	+10cm	+15cm	+20cm	+25cm	+30cm	+35cm	+40cm
—	<u>2</u>	<u>3</u>	<u>4</u>	<u>5</u>	<u>6</u>	<u>7</u>	<u>8</u>	<u>9(MAX)</u>

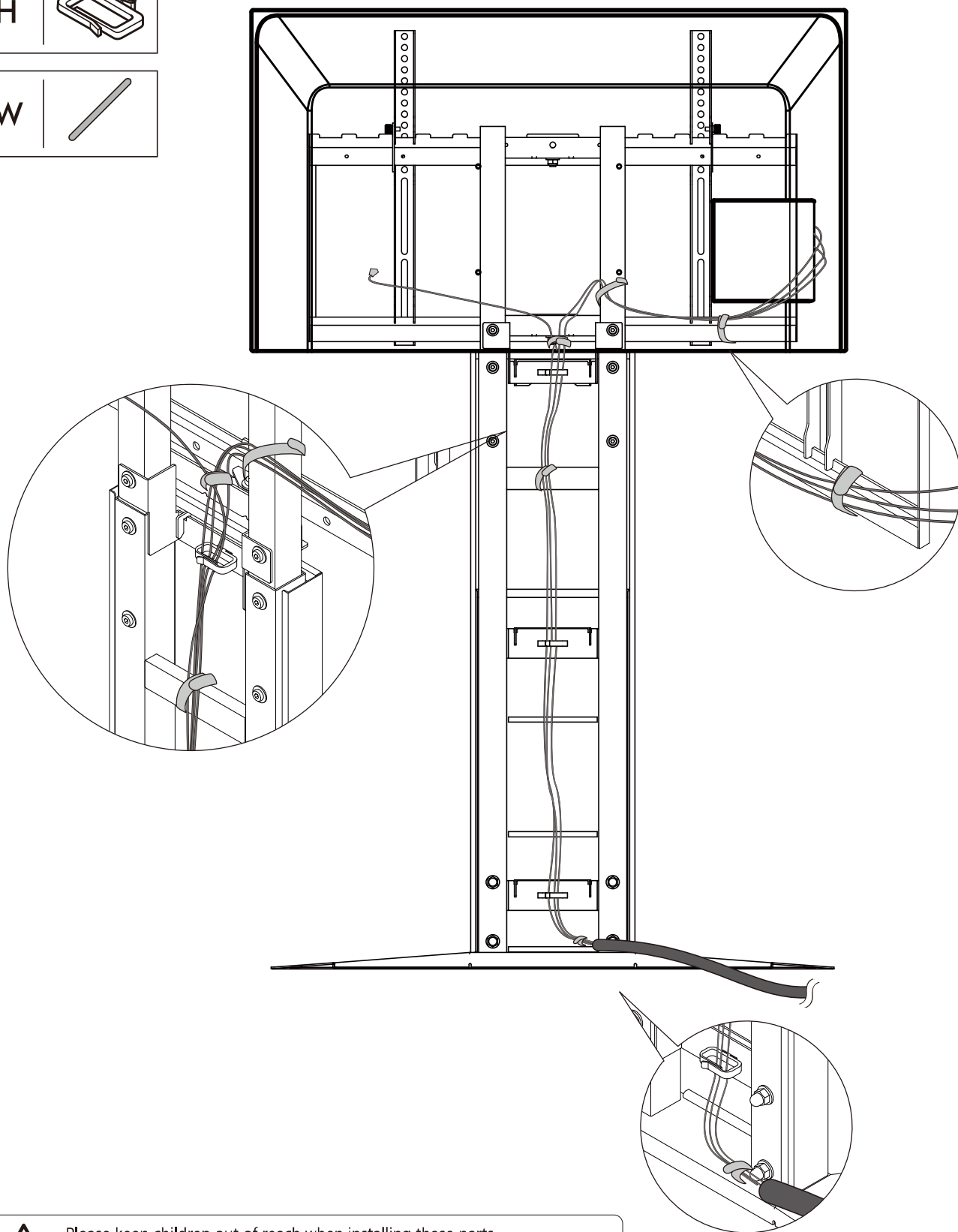
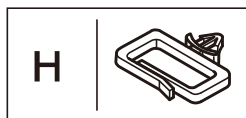


14



How to organize cables

Use a cord band to bundle the cables together and secure them neatly while passing them through the posts and frames.



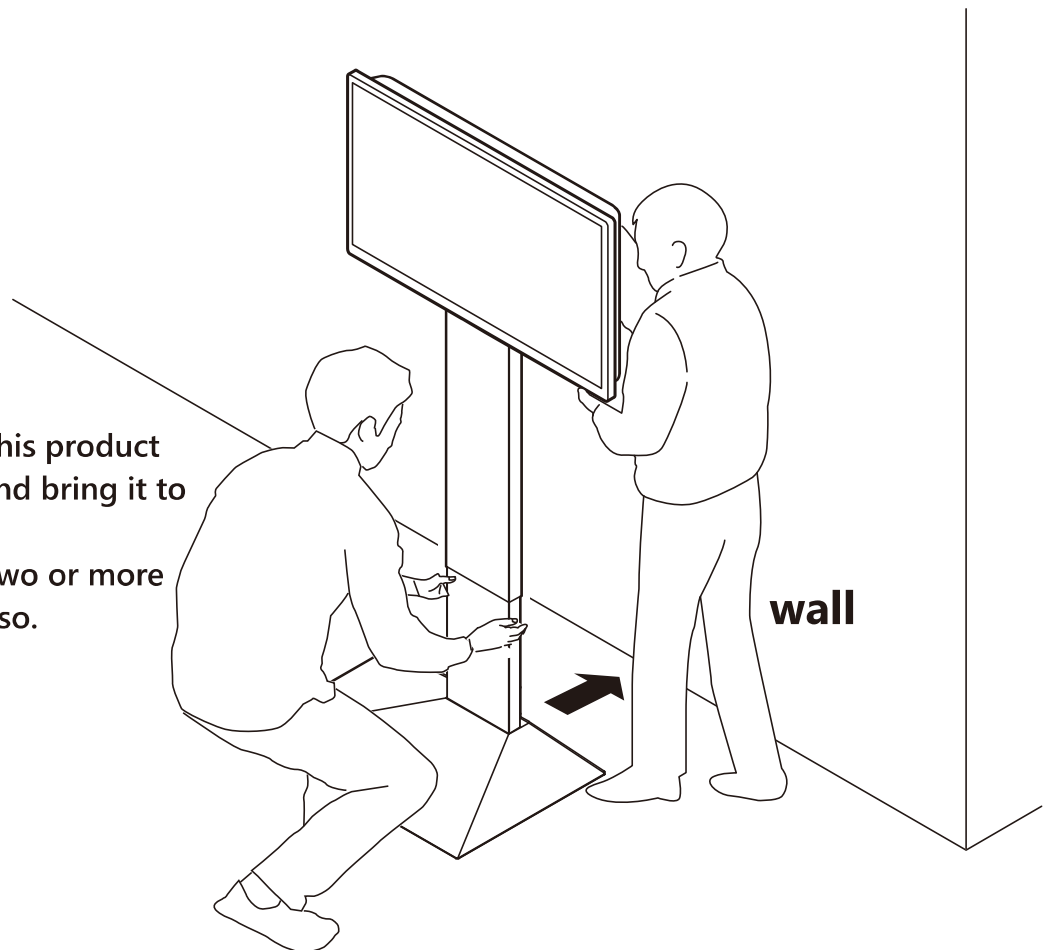
- Please keep children out of reach when installing these parts.
- Bundle the cables loosely to some extent.
- Folding the cables into multiple layers or bundling them too tightly may cause the bundled parts to heat up and ignite dust or other objects in the vicinity.
- Do not use them for purposes other than their original use.

15 Bring the TV stand to the wall

Press the TV stand against the wall with the bottom of the pillar without touching the TV directly

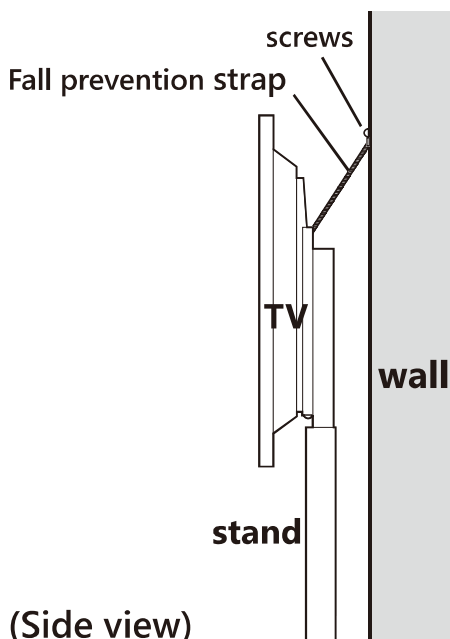


Be sure to install this product in a stable place and bring it to the wall.
When moving it, two or more people should do so.



Measures to prevent falls

caution



(Side view)

Install the TV and stand close to the wall and attach a strap to prevent the stand from tipping over

Attach the fall prevention strap to a sufficiently strong wall surface. If the wall strength is low, the strap will not function as a fall prevention function.

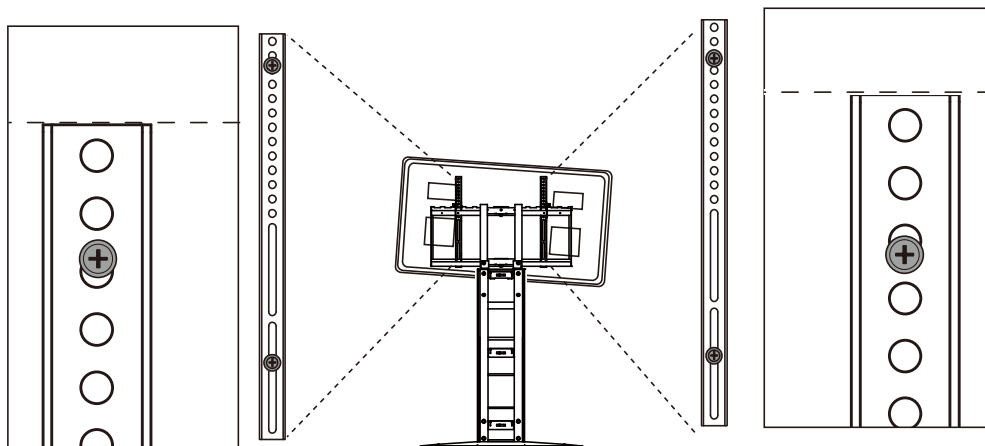
Use commercially available screws for wall mounting.
The necessary screws depend on the material of the wall, so please consult a hardware supplier or installation expert on the correct fastening method.

Install the fall prevention strap so that it does not sag. If the strap is slack, this will increase the force of impact when the stand falls, and the strap may be damaged and fall.

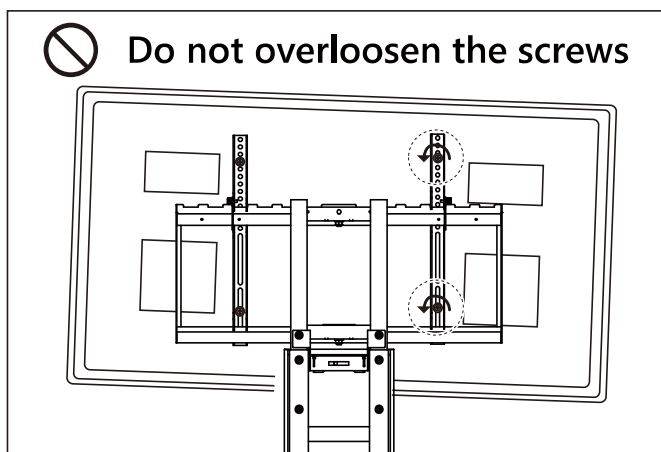
How to horizontally adjust the TV

You can adjust the tilt of the TV by adjusting the screw tightening position of the mounting bracket. Adjust using the allowance between screws and screw holes.

 Please remove the TV before when making the adjustments.

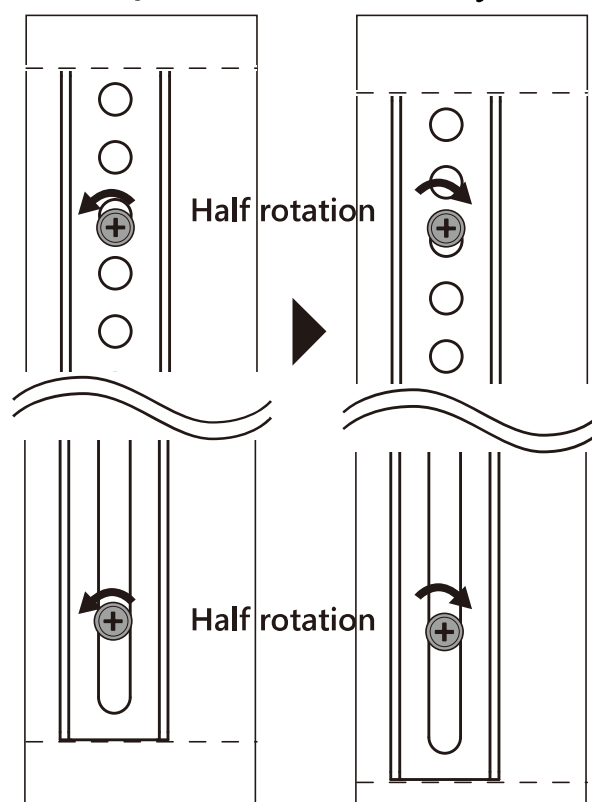


1. Tighten the upper and lower screws (only one mounting bracket)



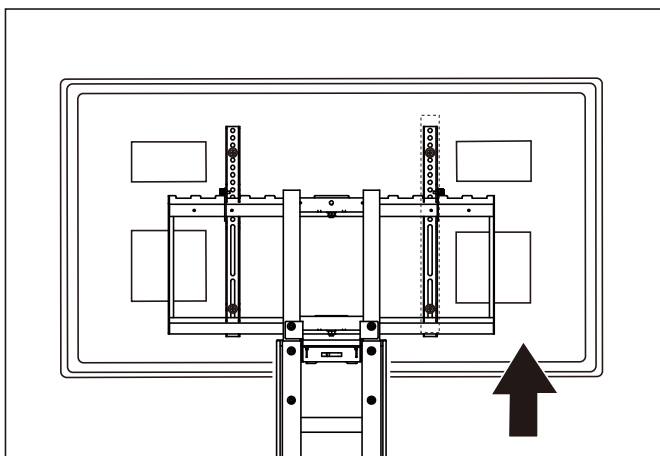
before adjustment

after adjustment



2. Tilt until the TV is level

3. Tighten the screw while holding the TV so that it does not move

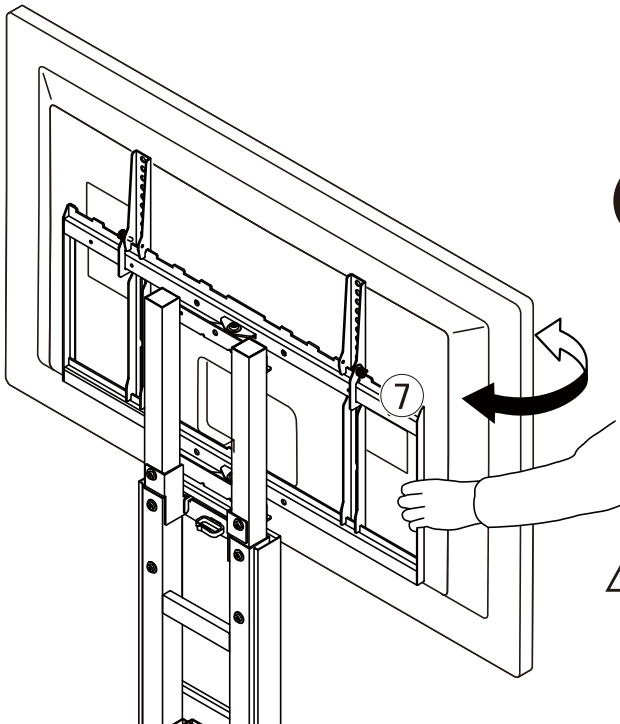


Info

This explains how to raise the lower one, but it is also possible to lower the higher one in the same way.

How to swivel the TV left or right

Hold the frame as shown in the illustration and move it slowly.



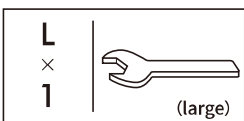
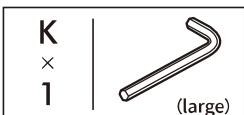
Cannot be fixed after left-right swing adjustment.

Info



Take care not to put your fingers in the gaps between the moving parts. Take particular care in households with small children. Take care that the TV does not hit the wall or other objects during left/right swing adjustment.

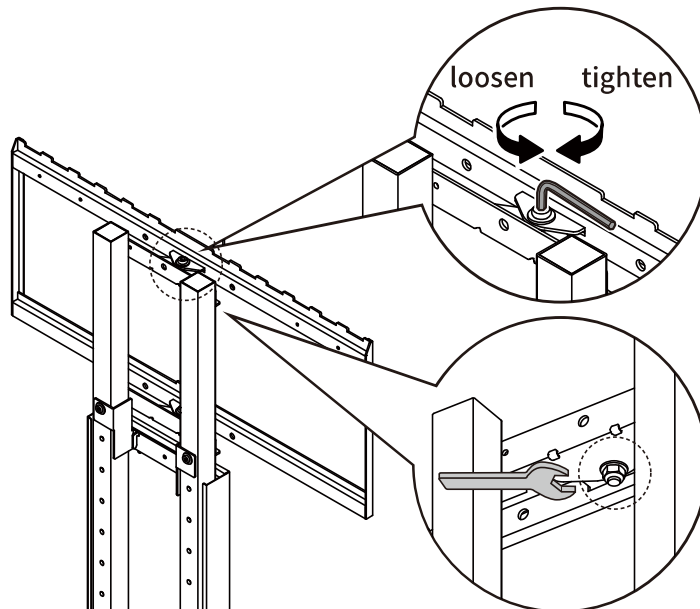
How to adjust the pivoting movement



Please remove the TV when making the adjustment.

1 Hold the nut on the pivoting part from below and turn the top screw.

2 Clockwise rotation can make the movement heavier. Counter-clockwise rotation can make the movement lighter.

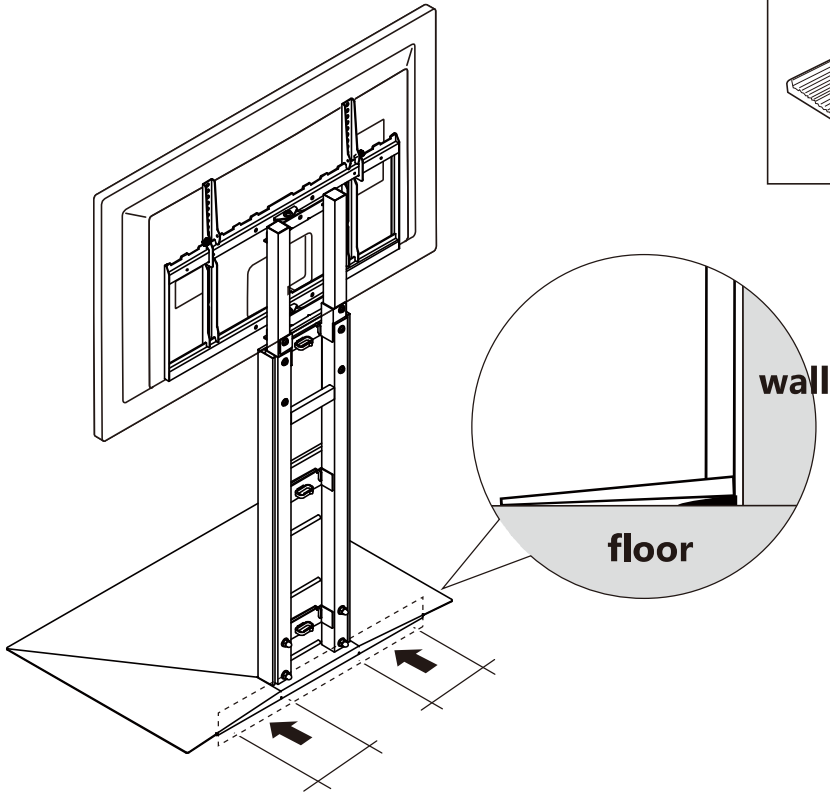


Do not overloosen the screws

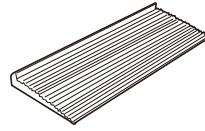
In cases like this

If there is a gap between the floor and the base, adjust as follows

Insert the furniture stabilizer in either of the designated positions



Furniture stabilizer



We recommend using a commercially available furniture stabilizer. Please use the one that matches the floor material.

Final check after installation

1. In the case of the upper pillars being exposed under the TV **GO to P.15**
2. In the case of the cables not being neatly organized **GO to P.22**
3. In the case of the TV not being horizontal **GO to P.24**

