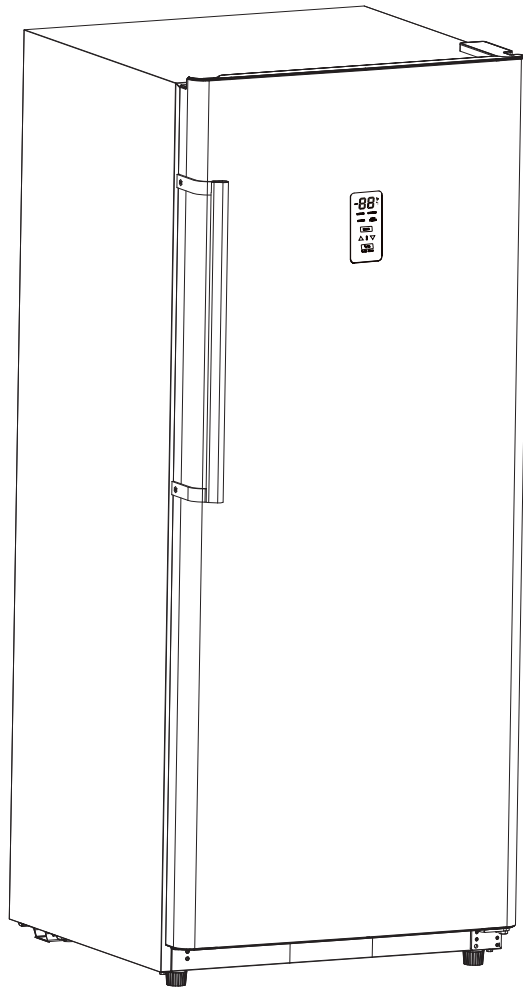




Upright Freezer

Convertible Freezer / Refrigerator

Model - FR 1700 REV



OWNER'S MANUAL

Read the instructions carefully and keep for future reference. Information may be updated from time to time so please refer to the website for the latest version of the manual.



DO NOT RETURN TO STORE!

HAVE QUESTIONS OR NEED SERVICE?



1-800-776-3538



Service@ApplianceDesk.com

Warranty

Conserv Appliances undertakes to the consumer-owner to repair or, at our option, to replace any part of this product which proves to be defective in workmanship or materials under normal personal, family or household use, in the USA and Canada, for a period of one year from the date of original purchase. For commercial use, the product is warranted for a period of 90 days. During this period, we will provide all labor and parts necessary to correct such defect, free of charge, if the appliance has been installed and operated in accordance with the written instructions with the appliance. Ready access to the appliance, for service, is the responsibility of the consumer-owner. Service would be provided from Monday to Friday between normal business hours.

Exclusions

In no event shall Conserv Appliances be liable for incidental or consequential damages or for damages resulting from external causes such as abuse, misuse, incorrect voltage or acts of God. This warranty does not cover service calls which do not involve defective workmanship or materials covered by this warranty. Accordingly, diagnosis and repair costs for a service call which does not involve defective workmanship or materials will be the responsibility of the consumer-owner.

Specifically, the following work is not covered under warranty and does not constitute warranty work

Installation – e.g. Installing as built-in

Maintenance – e.g. Cleaning appliance using solvents

Mishandling – e.g. Breakage of door handle or shelves

Most work is covered. The defining factor is, has the machine malfunctioned (Conserv Appliances is responsible) or has the customer omitted or done something to cause the machine to malfunction (customer is responsible). Some states do not allow the exclusion or limitation of incidental or consequential damages, so the above limitation of exclusion may not apply to you.

WARRANTY SERVICE

This warranty is given by:

Conserv Appliances

10222 Georgibelle Drive, Suite 200
Houston, TX 77043-5249

For Service:

Call 1-800-776-3538

Email: Service@ApplianceDesk.com

Web: www.ApplianceDesk.com

Business hours: 9:00 am - 5:00 pm weekdays

You can register your Warranty by either of the following methods:

1. Scan QR Code

- Open Smart Phone
- Open Camera
- Click the Link

2. Register online at ApplianceDesk.com/Warranty

3. QR Code is also used to obtain Product Information, Manuals and Updates



GENERAL

Since it is the responsibility of the consumer-owner to establish the warranty period by verifying the original purchase date, Conserv Appliances recommends that a receipt, delivery slip or some other appropriate payment record be kept for that purpose.

This warranty gives you specific legal rights, and you may also have other rights which vary from State to State.

All rights reserved. Manual subject to change without notice.

Congratulations on your new Upright Freezer!

In addition to its contemporary design, this is a highly sophisticated engineered product that will give you many years of satisfaction.

Here are some of the best reasons for buying your appliance:

- Can be converted from a freezer to a refrigerator.
- Door and handle are reversible as you prefer.
- Can be placed in a garage.

Safety

Please always follow the safety precautions listed below:

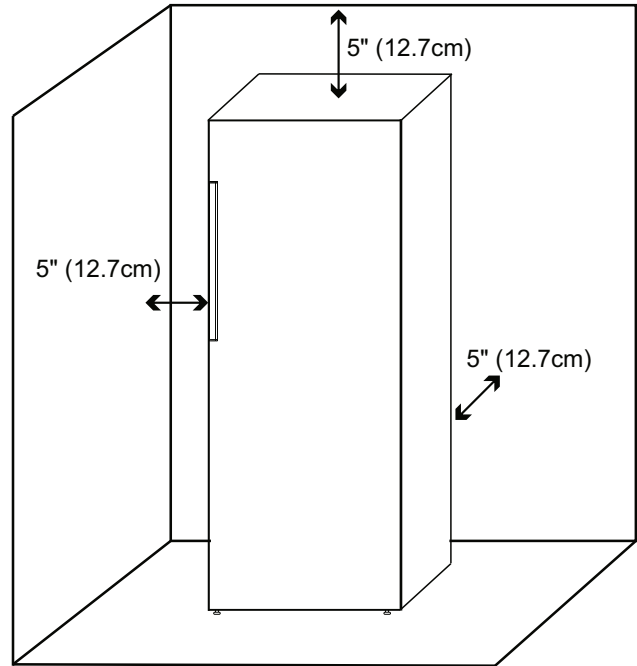
- Do not put acid or flammable or volatile materials inside the appliance.
- Do not puncture or damage refrigerant tubing.
- Unplug the unit immediately if you find any abnormal smell or smoke, and contact Customer Service.
- Use a dedicated power outlet and a three prong power socket, that is properly grounded.
- Do not use extension cords or ungrounded two prong adapters.
- Do not use the power cord or plug if it is damaged.
- When removing the power plug, do not pull on the cord. Grasp the plug firmly and pull it out from the socket.
- Unplug the unit first when doing maintenance or repair and when replacing the light bulb.
- Keep ventilation openings free of obstructions.
- This appliance is not intended for use by children or persons with reduced physical, sensory or mental capabilities, or lack of experience and knowledge, unless they have been given supervision or instruction concerning use of the appliance by a person responsible for their safety. Children should be supervised to ensure that they do not play with the appliance.

Safe Disposal

- Before discarding the refrigerator, remove doors and leave the shelves in place in order to prevent risk of child entrapment.
- Dispose of this appliance in accordance with local regulations.

Placement

- This unit is designed to be free standing and not built-in.
- The unit should be placed in a ventilated and dry environment.
- Do not put the unit in direct sunlight, and keep it as far as possible from heat sources.
- Don't put the unit in a cold area.
- There should be 5" (12.7cm) space around the top, sides and back of the unit as shown, to allow proper ventilation.
- The unit should be placed on flat and stable ground. Keep the unit level by adjusting the 2 front leg levelers.



1. Turn the leveling leg counter-clockwise as far as it will go, until the top of the foot is touching the bottom of the unit.
2. Slowly turn the leveling leg clockwise until the appliance is level.

Before Use

- Before initially plugging in the refrigerator, keep the unit standing upright and stable for 6 hours. The refrigerator should be on for up to 4 hours and adequately cold, before putting food in it.
- It is recommended that you clean the interior of the unit before placing food inside.

Handle Installation

The appliance ships with the handle inside the cabinet to protect it from damage. The appliance should be unplugged before installing the handle.

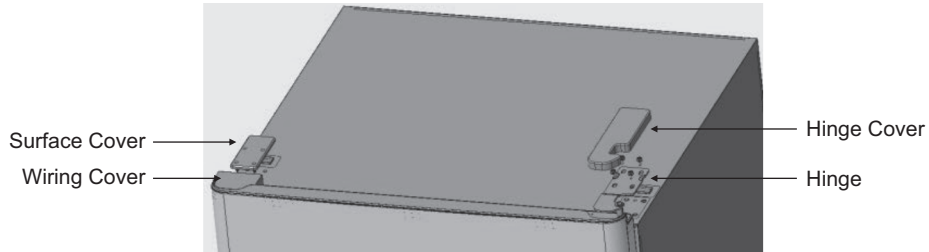
1. Position the handle over the exposed door handle posts.
2. Remove the two screws from the side of door with a screwdriver, insert screws into the handle bracket and fix it to the side of door and tighten it until firmly attached.

Door Reversal Instructions

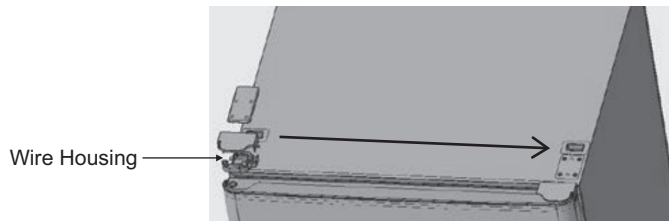
Warning: Unplug the appliance before reversing the door.

It is recommended that 2 people, who are qualified technicians, carry out the door reversal procedure. Parts required for this procedure are provided in an accessory bag. Instructions are provided to move the hinges from the right side to the left side. Replace the top door hinge first and then the bottom door hinge. Place the appliance on its back with the door facing up before beginning the procedure.

Replace the top door hinge

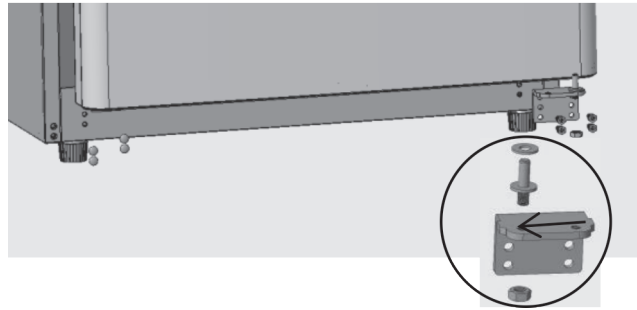


1. From the left top of the unit, remove the top cover that covers the wiring (wiring cover).
2. Remove the wiring from the grooves of the wire housing and leave the wire assembly hanging on the side.
3. Using a screwdriver, remove the screws that attach the wire housing to the unit.



4. Remove the plastic wire housing piece.
5. Remove the surface cover below it. (This will expose the holes and wire terminal).
6. Fit the hanging wire assembly into the notch of the metal hinge place the hinge flat on top of the unit.
7. On the right side, remove the hinge cover.
8. Remove the 4 bolts holding the hinge in place and then remove the hinge and unplug the wiring from the terminal.
9. Use these same bolts, removed from the right side, to attach the hinge on to the unit on the left side.
10. Insert the wiring plug into the terminal.
11. Place the hinge cover over the hinge. The hinge is now on the left side of the unit.
12. Remember to complete the assembly of remaining pieces on the right side of the unit.
13. Attach the wire housing piece on the right side with screws.
14. Wrap the wiring assembly into the grooves so it neatly fits into the housing.
15. Snap the wiring cover in place.
16. Press the surface cover into place over the exposed holes and wire terminal.

Replace the bottom door hinge



1. Remove 4 bolts and bottom hinge from the right side.
2. Remove 4 caps on the left side (keep them to replace on the opposite side).
3. Unscrew the door shaft nut.
4. Move the shaft and hinge to the left side and tighten.
5. Remove the door block from the right side and install it on the left side.
6. Install the hinge on the left side ensuring to tighten the 4 screws.
7. Plug the holes on the right side with the 4 caps which have previously been removed.

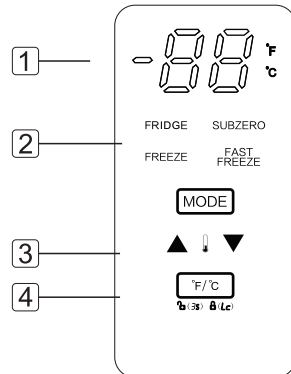
Finally check that the door is aligned with the cabinet. Adjust the leveling feet in front to ensure the appliance is level.

Move the appliance to the vertical standing position and ensure that it remains upright for at least 6 hours before plugging it in and turning the power on.

Operating Instructions

This appliance is intended for household use.

Control Panel



1. Temperature display
2. Mode: Fridge, Freeze, Subzero, Fast Freeze
3. Up and Down arrows to select temperature
4. Selection button for °F or °C
Press for 3 sec to activate Control Panel

Operation

This appliance can be used as either a refrigerator or a freezer.

To activate the Control Panel, press and hold the °F/°C button for 3 seconds.

Note: If the temperature is not selected or if the appliance is locked, the display will show "Lc". Press and hold the °F/°C button for 3 seconds to unlock or to lock the Control Panel.

Press the MODE button to select: FRIDGE, FREEZE, SUBZERO or FAST FREEZE. Temperature ranges for each of the modes is provided below:

Fridge: 32°F to 46°F (0°C to 8°C)

Freeze: 7°F to 11°F (-14°C to -24°C)

Subzero: 25°F to 18°F (-4°C to -8°C)

Fast Freeze: -18°F (-28°C)

Note: Use Fast Freeze when the appliance is first turned on or when you want to reach the coldest temperature as quickly as possible.

To set the temperature Press the Up or Down arrows on the Control Panel to select the desired temperature. The temperature increases or decreases in one-degree increments. The temperature will be displayed on the Control Panel.

To switch between °C and °F, press the °F/°C button and the corresponding indicator light will illuminate.

Open Door Alarm

This appliance is equipped with a door alarm that will sound if the door is left open for more than 3 minutes. The alarm will beep and the display will flash continuously until the door is closed.

Note: In case of power failure, wait 3 to 5 minutes before restarting the appliance.

Maintenance

Cleaning

- Always unplug the unit before cleaning.
- Clean inside, behind and around the refrigerator regularly, using water and mild detergent, and a damp cloth (not wet).
- Never use boiling water, harsh cleaning chemicals or abrasive materials.
- Check and clean the door gasket regularly to ensure that the door closes and seals properly.

Defrost

This unit is equipped with an automatic defrost function and does not require manual defrosting. Do not use mechanical devices to defrost the appliance. Defrost water from the appliance is channeled into a drip tray located above the compressor. Heat transfer from the compressor causes the defrost water to evaporate.

Extended Absence or Vacation

- If the unit will be switched off for a long time, the plug should be pulled out, and the unit cleaned thoroughly.
- The door must be left open and the unit must be placed in a well ventilated area to avoid build up of odor.

The following phenomenon is normal

- The sound like a rivulet is caused by the refrigerant flowing inside of the system pipe.
- While the unit runs, heat is emitted from both sides of the cabinet.
- When the environment is too humid, the edges around door may have a little moisture. Simply wipe it with a dry cloth.

Troubleshooting

In most cases, when your Refrigerator fails to work, the problems arising can be easily solved without having to call for a technician. Before calling for assistance, always check these points.

| PROBLEM | POSSIBLE CAUSE |
|--------------------------------------|---|
| The unit does not work | <ul style="list-style-type: none"> • Power is not on or the unit is not connected to power • Low voltage • A fuse may be blown or the circuit breaker tripped • Plug not fully inserted into the wall outlet |
| Internal temperature not cold enough | <ul style="list-style-type: none"> • Temperature setting is too warm • Door is not shut properly or opened frequently • Exhaust vent is obstructed • A large quantity of warm food has been placed in the unit • Close proximity to heat source or direct sunlight • Ambient temperature or humidity is very high |
| Appliance runs continuously | <ul style="list-style-type: none"> • Temperature setting is too cold • Door not shut properly or opened frequently • Exhaust vent is obstructed • A large quantity of warm food has been placed in the unit • Close proximity to heat source or direct sunlight • Ambient temperature or humidity is very high |
| Internal temperature is too cold | <ul style="list-style-type: none"> • Temperature setting is too cold |
| Noises | <ul style="list-style-type: none"> • Parts are expanding and / or the refrigerant is circulating; this is normal • Floor is not flat, and the unit is not placed in a stable position. |
| Doors cannot be closed properly | <ul style="list-style-type: none"> • The door is obstructed by items inside the unit. • The door gasket is not providing a good seal. Heat the gasket with a hair dryer. |

ERROR CODES - Shown on control panel display

E1: Freezer sensor failure

E2: Freezer defrosting sensor failure

E3: The freezer sensor failure and freezer defrosting sensor failure

C0: Communication failure

dr: Door opening alarm

EH: Freezer high temperature

EL: Freezer low temperature

H1: Freezer heater failure

Technical Specifications

| | |
|---------------------------|------------------------------|
| Model No. | FR 1700 REV |
| Category | Upright Freezer-Refrigerator |
| Refrigerating Mode | No Frost |
| Rated Voltage/Frequency | 115V~60Hz |
| Rated Power | 180 W |
| Rated Current | 1.6 A |
| Refrigerant, Amount | R600a (72g / 2.57oz) |
| Foaming Agent | Cyclopentane |
| Energy Class | Energy Star |
| Net Weight | 167.5 lbs |
| Dimensions (H*W*D) inches | 68 x 28 x 31.9 |

State of California Proposition 65 Warnings:

WARNING:This product contains one or more chemicals known to the State of California to cause cancer.

WARNING:This product contains one or more chemicals known to the State of California to cause birth defects or other reproductive harm.