

INSIGNIA™

fire tv

QUICK SETUP GUIDE

55" / 65"

60 Hz LED TV 4K ULTRA HD

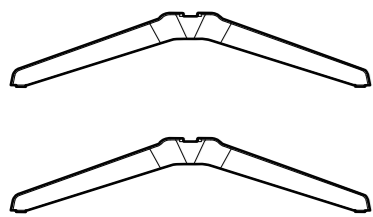
NS-55F703NA27/NS-65F703NA27

INCLUDED ACCESSORIES

Voice Remote with Alexa
and two AAA batteries

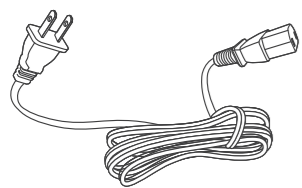


TV stands



M4x36mm
(4pcs.)

Power cord

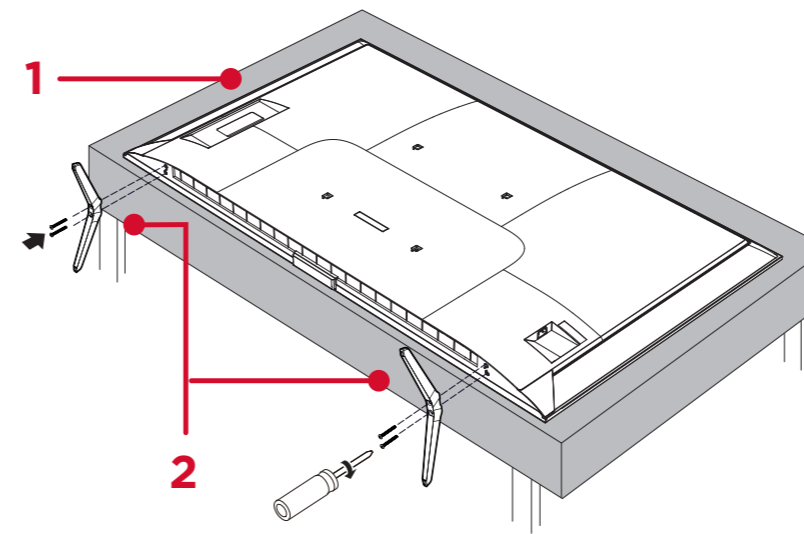


Before using your new TV, read these instructions to prevent any damage. Do not plug your power cord in until all other devices have been connected.

1 INSTALLING THE STANDS OR A WALL MOUNT

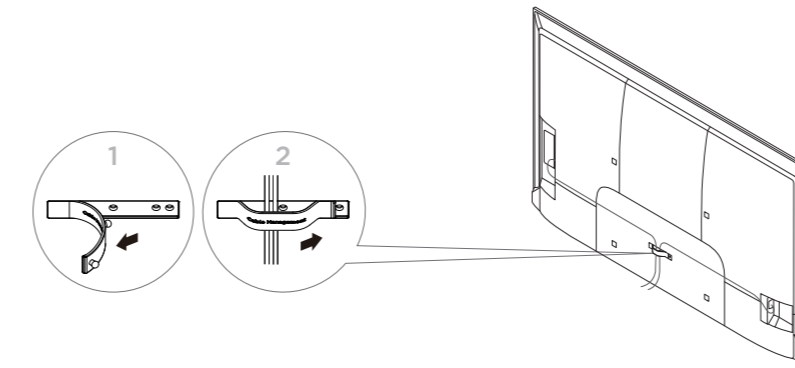
STANDS

- 1 To prevent damage to the screen, carefully place your TV on a soft, cushioned surface.
- 2 Align the stands with the screw holes located on the TV. Secure the stands to the TV with the supplied stand screws.



TO USE THE CABLE CLIP

Open the cable clip on the back of the TV and route the cables as illustrated.

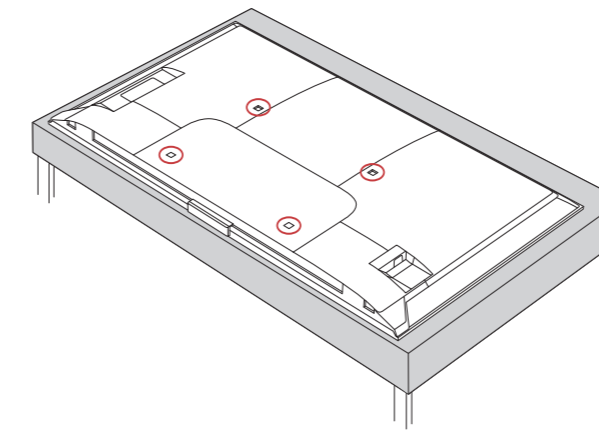


WALL MOUNT

Before you mount your TV, make sure that:

- You remove the stands.
- The wall-mount bracket supports the weight of your TV. See the instructions that came with your wall mount for more information about how to correctly mount your TV.

WARNING: Your TV has four VESA mounting holes on the back. **You must secure a wall-mount bracket to all four holes.** If you do not use all four holes, your TV may fall and cause property damage or personal injury.
Note: Wall-mount screws are not included.



- 55"** **VESA Mounting Pattern**
400 × 300 mm
Screws (top row): type M6, 16 mm length
Screws (bottom row): type M6, 12 mm length
- 65"** **VESA Mounting Pattern**
300 × 300 mm
Screws: type M6, 16 mm length

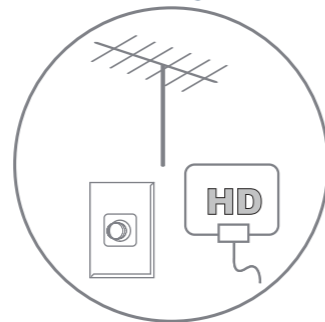
2 MAKING CONNECTIONS

HDMI (best video quality)

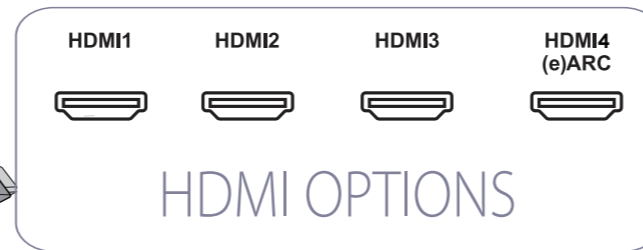


Note: You can use HDMI to connect to other HDMI devices. To use eARC/ARC functionality the connected device must also have HDMI eARC/ARC.

Tuner (good video quality)



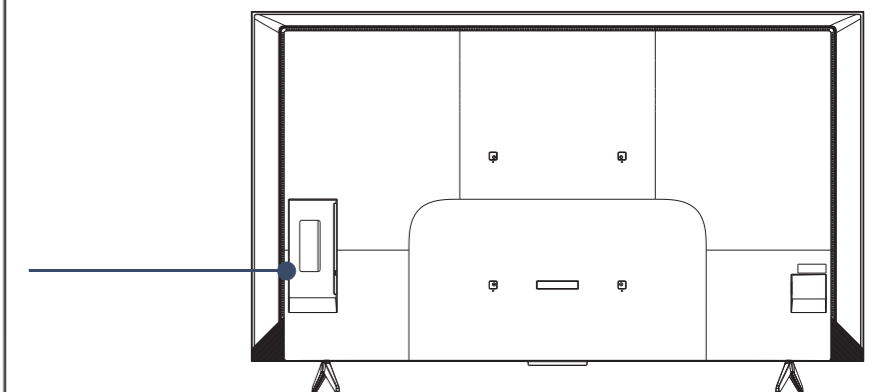
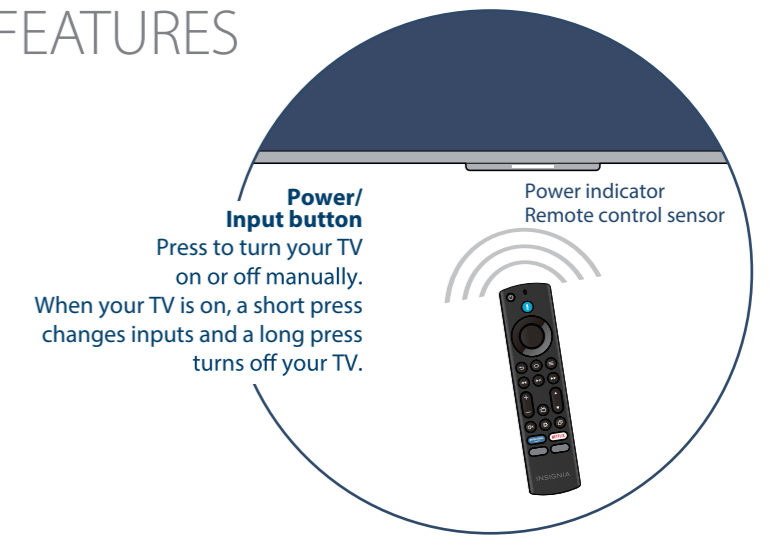
Connect an antenna to access live over-the-air TV.



CABLE/ANT



FEATURES

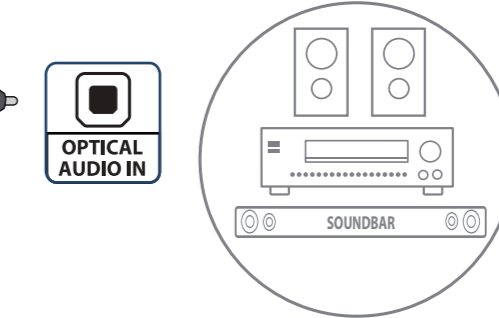


Note: Images do not necessarily represent the exact design of your television.

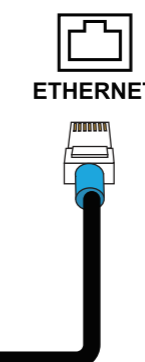
AUDIO OPTIONS

You can use the **AUDIO OUT (OPTICAL)** jack or the **HDMI4 (e)ARC** jack. **Note:** If you need to change the digital audio format, go to the **Home** menu, select **Settings**, then select **Display & Sounds**. Select **Audio Output Settings**, then select **Digital Audio Out** and change the setting to **PCM** or your preferred audio format.

DIGITAL



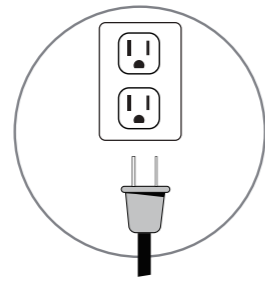
ETHERNET(optional)



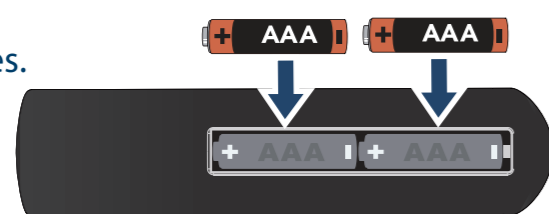
Note: You can use a wired Ethernet connection to access the internet instead of a Wi-Fi connection. Plug an Ethernet cable into the **LAN** jack on your TV and your Ethernet/LAN connection.


3 TURNING ON YOUR TV

1 Plug the power cord into the back of your TV and a power outlet.



2 Remove the remote control cover and install the batteries.



3 Press  on your Voice Remote with Alexa.

4 Follow the on-screen instructions.

4 COMPLETE THE ON-SCREEN SETUP

Your TV should automatically pair to your new Voice Remote with Alexa.

1 If your remote is not paired, press and hold . If you continue to have issues, re-insert or replace the batteries and try again.

2 Select your Wi-Fi network from the displayed network list.

Note: If your Wi-Fi network is password protected, enter your network password using the on-screen keyboard. If your network is hidden, select the **Join Other Network** tile.

3 Complete your smart TV setup with your Amazon account (recommended) for full functionality, including live TV, 1.8 million movies and TV episodes, and thousands of channels, apps, and Alexa skills.

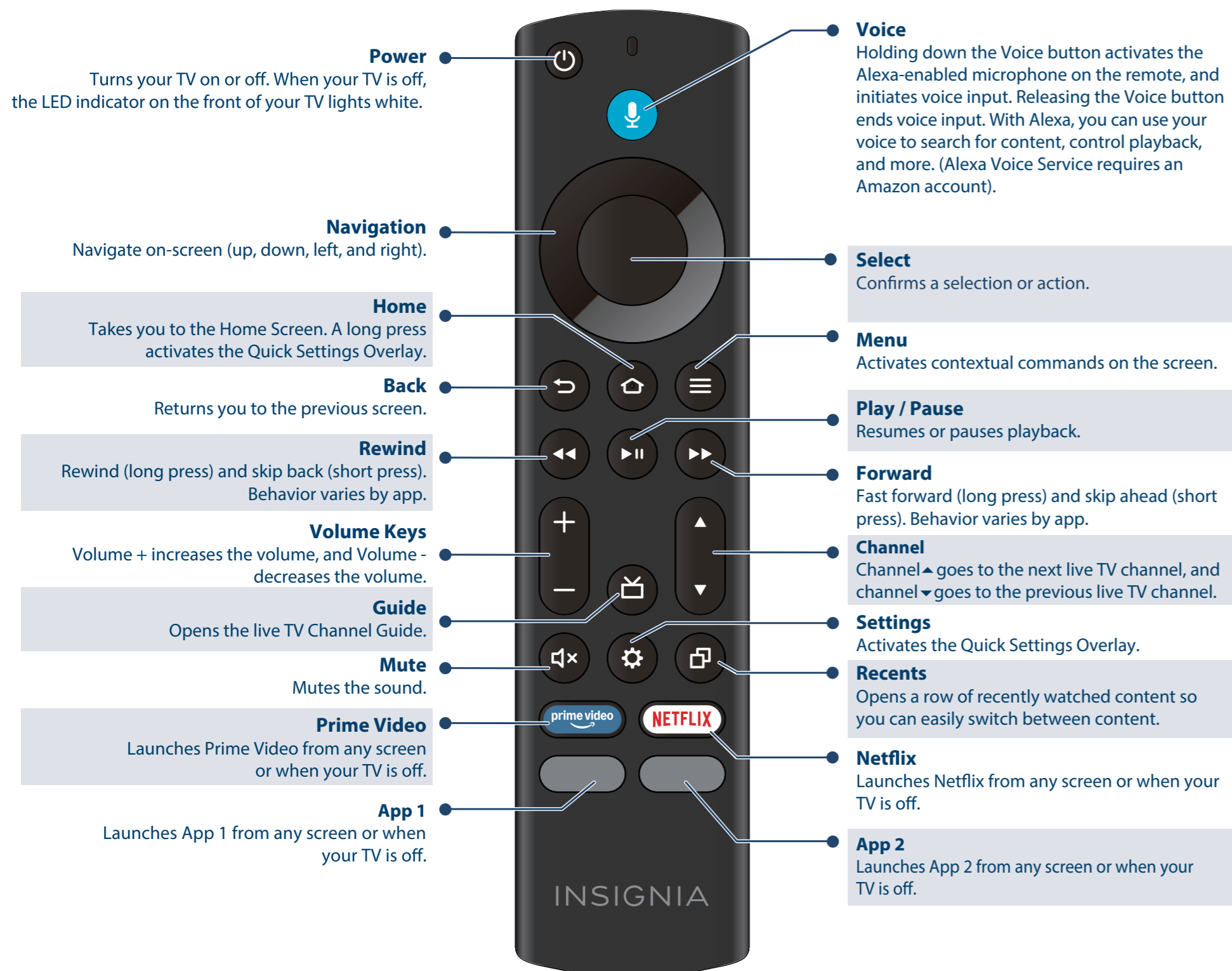
4 If you connected your TV to an antenna or cable wall jack:

A Go to **Settings > Live TV > Channel Scan**.

B Follow the on-screen instructions to scan for channels.

Note: To browse and watch live TV, use the **On Now** row or press  on your remote.

USING YOUR VOICE REMOTE WITH ALEXA



FIND YOUR USER GUIDE ONLINE

- 1 Go to www.insigniaproducts.com.
- 2 Use the search bar to find **NS-55F703NA27/NS-65F703NA27**.
- 3 Select **Support & Downloads**.
- 4 Next to *User Guide*, select the language you want.



Apple, AirPlay, Apple Home, and HomeKit are trademarks of Apple Inc., registered in the U.S. and other countries and regions. Use of the Works with Apple badges means that an accessory has been designed to work specifically with the technology identified in the badges and has been certified by the developer to meet Apple performance standards.

INSIGNIA™

fire tv

A Smarter TV Is Here
4K Picture Quality, Fire TV Experience Built-in,
Voice Remote with Alexa



Stream more than 1.8 million movies and TV episodes from Netflix, Prime Video, Disney+, HBO Max, and more.



Access over 1 million free movies and TV episodes from popular ad-supported streaming apps like Fire TV Channels, Tubi, and Pluto TV.



Fire TV lets you stream your shows and run your home, all-in-one convenient place without missing a scene.

Full Experience required to access all features described.

ONE-YEAR LIMITED WARRANTY

Visit www.insigniaproducts.com for details.

NEED ADDITIONAL HELP?

Check out our **Support Community** at www.insigniaproducts.com for helpful information from other Insignia TV owners.

WE'RE HERE FOR YOU

www.insigniaproducts.com

For customer service, call: **1-877-467-4289** (U.S./Canada)

CONTACT AMAZON FIRE TV CUSTOMER SERVICE

www.amazon.com/deviceservices/support

Press & ask |  

Manufactured under license from DTS, Inc. and/or its affiliates. For patents, see <https://xperi.com/dts-patents/>. DTS, the DTS logo, DTS:X, the DTS:X logo, Virtual:X, and the DTS Virtual:X logo are trademarks or registered trademarks of DTS, Inc. and/or its affiliates in the U.S. and/or other countries. © DTS, Inc. and/or its affiliates. All rights reserved.

AMAZON TERMS & POLICIES

Before using Fire TV Edition, please read the terms located at www.amazon.com/deviceservices/support. Please also read all terms and policies for services related to Fire TV Edition, including but not limited to Amazon's Privacy Notice located at www.amazon.com/privacy, Amazon's Conditions of Use located at www.amazon.com/conditionsofuse, and any other terms or usage provisions available at www.amazon.com/deviceservices/support.

All terms, rules, notices, policies, and provisions are, collectively, the "Agreements." By using Fire TV Edition, you agree to be bound by the terms of the Agreements.

Amazon, Fire, and all related marks are trademarks of Amazon.com, Inc. or its affiliates. Certain services are subject to change at any time, may not be available in all areas and languages, or in 4K UHD, and may require separate subscriptions or withdrawal.

 **Dolby**
VISION · ATMOS

Dolby, Dolby Vision, Dolby Atmos, and the double-D symbol are registered trademarks of Dolby Laboratories Licensing Corporation. Manufactured under license from Dolby Laboratories. Confidential unpublished works. Copyright © 2012-2024 Dolby Laboratories. All rights reserved.


 **HDMI**
HIGH-DEFINITION MULTIMEDIA INTERFACE

The terms HDMI, HDMI High-Definition Multimedia Interface, HDMI Trade Dress and the HDMI Logos are trademarks or registered trademarks of HDMI Licensing Administrator, Inc.

*Wi-Fi signals can be inconsistent the further away from the source, and can be impacted by walls/floors between the TV and source.

U.S. and Canada:

INSIGNIA is a trademark of Best Buy and its affiliated companies.

 Distributed by Best Buy Purchasing, LLC
Richfield, MN 55423

©2025 Best Buy. All rights reserved.