

**Adapter duct
CVTSIDE10**



This 10 inch round transition allows for left, right, or rear venting with Masterpiece® downdraft with inline or remote blowers

- For use with remote or inline blower applications
- Use with blowers, ducting, or elbows with 10 inch round duct connection
- Can attach to downdraft housing or CVDUCT2 rectangular duct accessory
- See installation guide for details
- Rectangular 1-7/8" x 19" transition to 10" round

Product group:Accessory
Brand:Thermador
Product name / series name:
SKU:CVTSIDE10
Internal article number:00000000000777719
EAN code:825225920748
Product Packaging Dimensions (HxWxD):12.49 x 12.75 x 24.99
Net Weight:4.000 lbs
Gross Weight:4.000 lbs
Quantity per packing unit:
Standard number of units per pallet:20
UPC code:825225920748



Adapter duct CVTSIDE10

This 10 inch round transition allows for left, right, or rear venting with Masterpiece® downdraft with inline or remote blowers

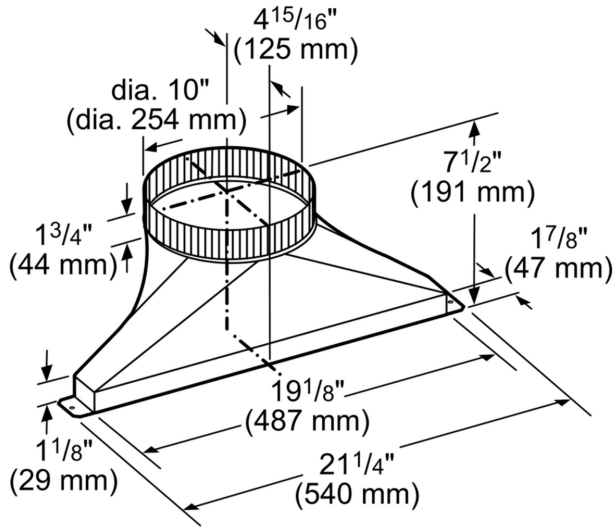
Performance

- For use with remote or inline blower applications
- Use with blowers, ducting, or elbows with 10 inch round duct connection
- Can attach to downdraft housing or CVDUCT2 rectangular duct accessory
- See installation guide for details

Design

- Rectangular 1-7/8" x 19" transition to 10" round
- Designed for use with UCVM30RS, UCVM36RS, UCVP36RS downdrafts

**Adapter duct
CVTSIDE10**



measurements in inches (mm)