

DGC 7780

30" Combi-Steam Oven XXL

for steam cooking, baking, roasting with roast probe + menu cooking.



- Large touch display with proximity sensor – M Touch + MotionReact
- Perfect results – DualSteam technology
- Crispy on the outside, succulent on the inside – Combi-Steam
- Miele@home – network-enabled WiFi appliance + Miele Mix & Match
- Easy cleaning – PerfectClean stainless steel oven compartment

EAN: 4002516487630 / Material number: 11875830 /
Old Material Number: 23778043USA

| | |
|--|-------------------|
| General information | |
| Construction type and design | |
| ContourLine | • |
| Construction type and design | |
| Combi-steam oven | • |
| Convenience features | |
| Rapid PreHeat | • |
| Preheating | • |
| External steam generation | • |
| Climate sensor | • |
| Individual humidity settings in combination cooking | • |
| Menu cooking without transfer of taste | • |
| Miele Mix & Match | • |
| Roast probe | wired |
| Automatic programs with individual setting of the cooking result | • |
| Keep-warm function | • |
| Crisp Function | • |
| Operating modes | |
| Convection Bake | • |
| Convection Roast | • |
| Surround | • |
| Steam cooking | • |
| Combi-Steam | • |
| Combi cooking | • |
| Combi-Steam with Convection Bake | • |
| Combi-Steam with Surround | • |
| Combi-Steam with Maxi Broil | • |
| Sous-vide | • |
| Intensive | • |
| Convection Broil | • |
| Maxi Broil | • |
| Broil | • |
| Broiling operating modes | • |
| Browning | • |
| Bake | • |
| Humidity Plus | • |
| Defrost | • |
| Roast with moisture | • |
| Reheating | • |
| Warm-up cookware | • |
| Automatic programs | • |
| Country-specific automatic programs | • |
| Special Modes | • |
| Design | |
| Color | Clean Touch Steel |
| User convenience | |
| Networking with Miele@home | • |

DGC 7780

30" Combi-Steam Oven XXL

for steam cooking, baking, roasting with roast probe + menu cooking.



EAN: 4002516487630 / Material number: 11875830 /
Old Material Number: 23778043USA

| Display | M Touch |
|---|---------|
| Clear text on control panel | • |
| MotionReact proximity sensor | • |
| SoftOpen | • |
| SoftClose | • |
| ComfortSwivel handle | • |
| MultiLingua | • |
| MyMiele | • |
| Show me how | • |
| Motorized lift-up control panel with SoftClose | • |
| Quantity-independent cooking | • |
| Steam cooking on up to 4 levels at the same time | • |
| Automatic menu cooking | • |
| Steam reduction before end of programme | • |
| Polyphonic acoustic signals | • |
| Timers | • |
| Time of day display | • |
| Date display | • |
| Minute minder | • |
| Programming start of cooking duration | • |
| Programming end of cooking duration | • |
| Programmable cooking time | • |
| Actual temperature display | • |
| Desired temperature display | • |
| Audible signal when desired temperature is reached | • |
| Default temperature | • |
| Favorites | • |
| Sabbath program | • |
| Individual settings | • |
| Cleaning convenience | |
| Clean Touch Steel surface | • |
| Stainless steel oven compartment with linen-weave pattern and PerfectClean finish | • |
| Foldable broil heater element | • |
| External steam generator | • |
| Floor heater element for condensate reduction | • |
| Maintenance programs | • |
| Soak program | • |
| Rinse program | • |
| Cavity drying program | • |
| Quick-release side racks | • |
| Removable side racks | • |
| Descaling | • |
| CleanGlass door | • |
| Steam technology/water supply | |
| DualSteam | • |
| Fresh water container volume in l | 1.4 |
| Fresh-water container tank behind motorized lift-up control panel with SoftClose | • |

DGC 7780

30" Combi-Steam Oven XXL

for steam cooking, baking, roasting with roast probe + menu cooking.

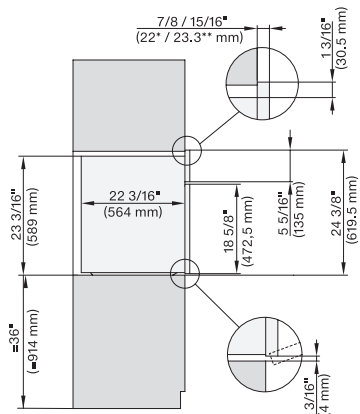
EAN: 4002516487630 / Material number: 11875830 /
Old Material Number: 23778043USA

| | |
|--|--|
| Condensate container behind motorized lift-up control panel with SoftClose | • |
| DirectWater | No |
| Drain filter | • |
| Safety | |
| Cooling system with cool touch front | • |
| Appliance cooling system and cool touch front | • |
| Safety shut-off | • |
| Safety cut-out | • |
| System lock | • |
| Vapor cooling system | • |
| Sensor lock | • |
| Technical data | |
| Cavity volume in cu.ft (l) | 2.4 (68.0) |
| No. of rack levels | 4 |
| Appliance dimensions (W x H x D) in inches (mm) | 29 7/8 (757) x 24 1/2 (620) x 22 5/8 (573) |
| Labeling of rack levels | • |
| Door hinge side | Bottom |
| Oven interior lighting | BrilliantLight |
| Oven mode temperatures in °F (°C) | 85-450 °F (30-230 °C) |
| Niche dimensions (W x H x D) in inches (mm) | 724-724 x 610-615 x 610 |
| Niche dimensions (W x H x D) in inches (mm) | 28 5/8 (724)-28 5/8 (724) x 24 1/8 (610)-24 1/4 (615) x 24 1/8 (610) |
| Niche width min. in inches (mm) | 28 5/8 (724) |
| Niche width min. in inches (mm) | 724 |
| Niche width max. in inches (mm) | 28 5/8 (724) |
| Niche width max. in inches (mm) | 724 |
| Niche height min. in inches (mm) | 24 1/8 (610) |
| Niche height min. in inches (mm) | 610 |
| Niche height max. in inches (mm) | 24 1/4 (615) |
| Niche height max. in inches (mm) | 615 |
| Niche depth in in. (mm) | 610 |
| Niche depth in in. (mm) | 24 1/8 (610) |
| Appliance dimensions (W x H x D) in inches (mm) | 29 7/8 (757) x 24 1/2 (620) x 22 5/8 (573) |
| Appliance width in in. (mm) | 29 7/8 (757) |
| Appliance width in in. (mm) | 757 |
| Appliance width in in. (mm) | 29 7/8 (757) |
| Appliance height in in. (mm) | 24 1/2 (620) |
| Appliance height in in. (mm) | 619.5 |
| Appliance height in in. (mm) | 24 1/2 (620) |
| Appliance depth in in. (mm) | 22 5/8 (573) |
| Appliance depth in in. (mm) | 573 |
| Appliance depth in in. (mm) | 22 5/8 (573) |
| Weight in lbs. (kg) | 116 (52.5) |
| Weight in lbs. (kg) | 115.74 (52.5) |
| Weight in lbs. (kg) | 116 (52.5) |

DGC 7780

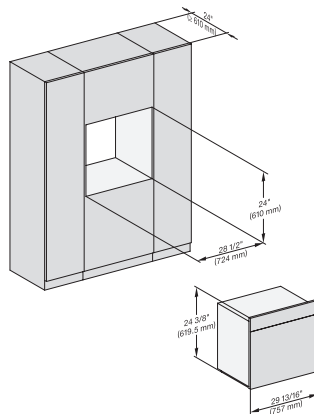
30" Combi-Steam Oven XXL

for steam cooking, baking, roasting with roast probe + menu cooking.

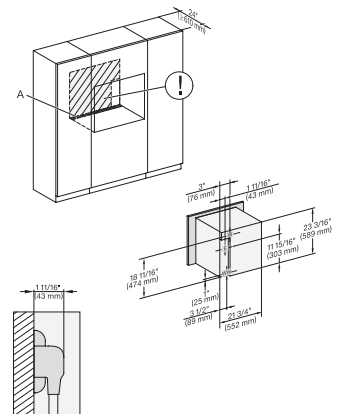


side view 30 inch Proud DGC30 XXL, installation drawing, NA

7/8" – 22* mm – Glass, 15/16" – 23.3** mm – Stainless steel

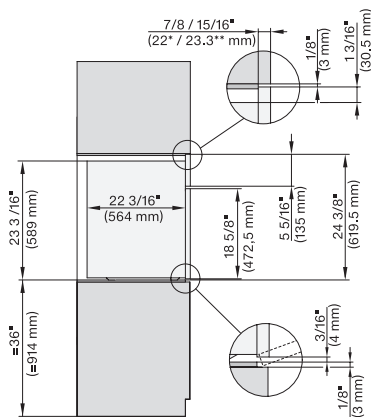


installation 30 inch Proud DGC30 XXL, installation drawing, NA



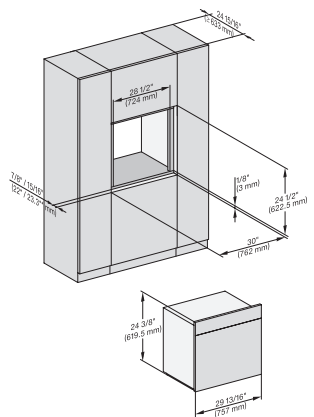
installation 30 inch Proud DGC XXL, installation drawing, NA

A – Cut-out (1 9/16" x 19 11/16" / 40 mm x 500 mm) in the bottom of the cabinet for power cord and ventilation, – Electrical and water supplies are recommended to be placed in adjacent cabinetry, Additional cabinet depth is required when placing the electrical and water supplies behind the appliance, E = Electric connection, W = Water connection, L = 9' 10 1/8" (3,000 mm), WW = Waste water connection, L = 9' 10 1/8" (3,000 mm), The top end of the drain hose to the inlet of the odor trap must not be higher than 19 11/16" (500 mm).



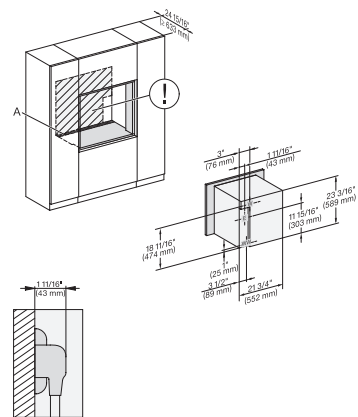
side view, 30 inch Flush inset DGC30 XXL, installation drawing, NA

7/8" – 22* mm – Glass, 15/16" – 23.3** mm – Stainless steel



Installation 30 inch Flush inset DGC30 XXL, installation drawing, NA

7/8" – 22* mm – Glass, 15/16" – 23.3** mm – Stainless steel



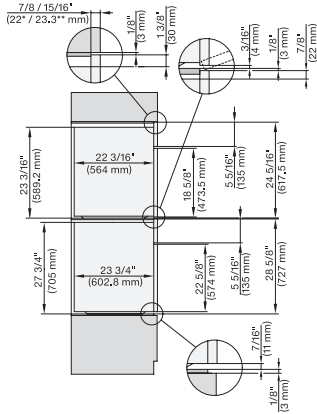
Installation 30 inch Flush inset DGC XXL, installation drawing, NA

A – Cut-out (1 9/16" x 19 11/16" / 40 mm x 500 mm) in the bottom of the cabinet for power cord and ventilation, – Electrical and water supplies are recommended to be placed in adjacent cabinetry, Additional cabinet depth is required when placing the electrical and water supplies behind the appliance, E = Electric connection, W = Water connection, L = 9' 10 1/8" (3,000 mm), WW = Waste water connection, L = 9' 10 1/8" (3,000 mm), The top end of the drain hose to the inlet of the odor trap must not be higher than 19 11/16" (500 mm).

DGC 7780

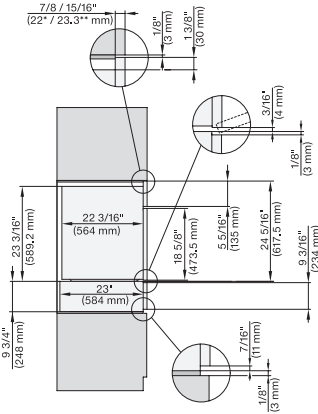
30" Combi-Steam Oven XXL

for steam cooking, baking, roasting with roast probe + menu cooking.



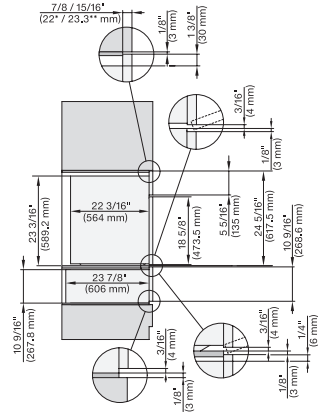
DGC7x8x, H2x80BP, H7x8xBP(X), side view, 30 Zoll, Flush inset, combi, XXL 650

7/8" – 22* mm – Glass, 15/16" – 23.3** mm – Stainless steel



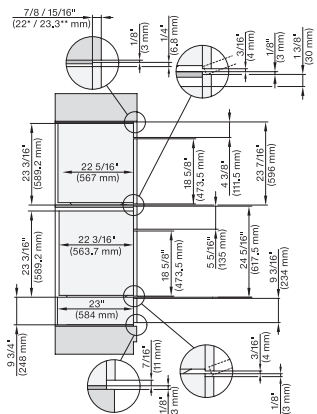
DGC7x8x, ESW7x70, EVS7670, side view, 30 Zoll, Flush inset, combi, XXL

7/8" – 22* mm – Glass, 15/16" – 23.3** mm – Stainless steel



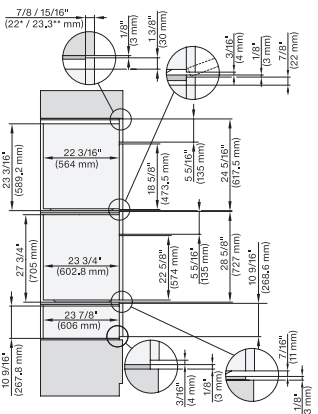
DGC7x8x, ESW7x80, side view, 30 Zoll, Flush inset, combi, XXL

7/8" – 22* mm – Glass, 15/16" – 23.3** mm – Stainless steel



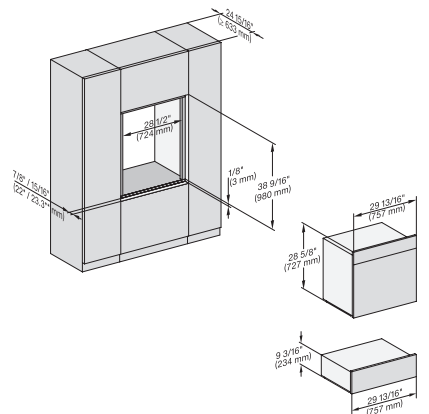
DGC786x+EBA7868, DGC7x8x, ESW7x70, EVS7670, side view, 30 Zoll, Flush inset, combi, XXL

7/8" – 22* mm – Glass, 15/16" – 23.3** mm – Stainless steel



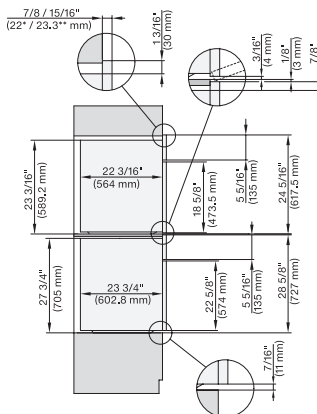
DGC7x8x(X), H2x80BP, H7x8xBP, ESW7x80, side view, 30 Zoll, Flush inset, combi, XXL, 650, ESW30

7/8" – 22* mm – Glass, 15/16" – 23.3** mm – Stainless steel



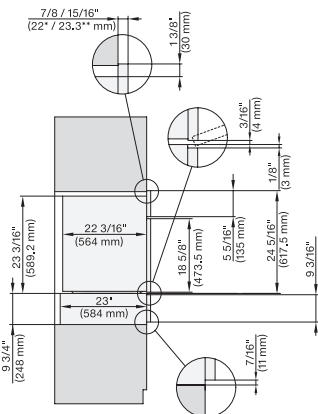
DC7x8x, ESW7x70, EVS7670 Einbau, 30 Zoll, Flush inset, combi, XXL

7/8" – 22* mm – Glass, 15/16" – 23.3** mm – Stainless steel



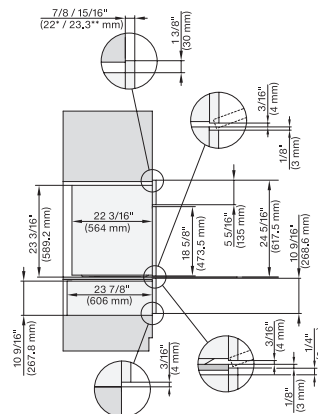
DGC7x8x, H2x80BP, H7x8xBP(X), side view, 30 Zoll, Proud, combi, XXL 650

7/8" – 22* mm – Glass, 15/16" – 23.3** mm – Stainless steel



DGC7x8x, ESW7x70, EVS7670, side view, 30 Zoll, Proud, combi, XXL

7/8" – 22* mm – Glass, 15/16" – 23.3** mm – Stainless steel



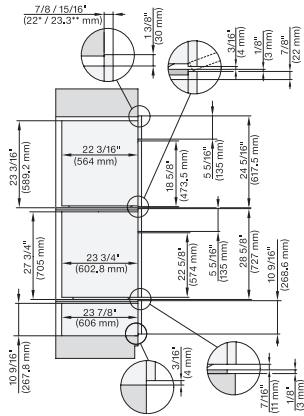
DGC7x8x, ESW7x80, side view, 30 Zoll, Proud, combi, XXL

7/8" – 22* mm – Glass, 15/16" – 23.3** mm – Stainless steel

DGC 7780

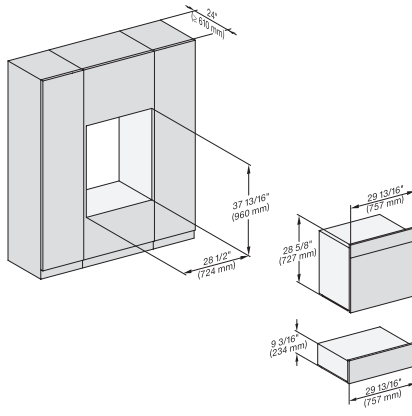
30" Combi-Steam Oven XXL

for steam cooking, baking, roasting with roast probe + menu cooking.



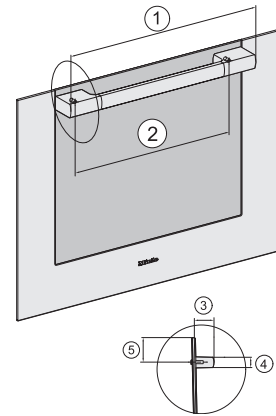
DGC7x8x(X), H2x80BP, H7x8xBP(X), ESW7x80, side view, 30 Zoll, Proud, combi, XXL, 650

7/8" – 22* mm – Glass, 15/16" – 23.3** mm – Stainless steel



DGC7x8x, ESW7x70, EVS7670, Einbau, 30 Zoll, Proud, combi, XXL

7/8" – 22* mm – Glass, 15/16" – 23.3** mm – Stainless steel



Handle 30" DGC73xx, DGC75xx, DGC77xx, H71xx, H75xx, H77xx, ContourLine – NA7000 - Installation drawing

① 21 1/8" / 536 mm, ② 17 1/2" / 444 mm, ③ 2 1/2" / 64 mm, ④ 1 3/8" / 35 mm, ⑤ 1 7/16" / 37 mm