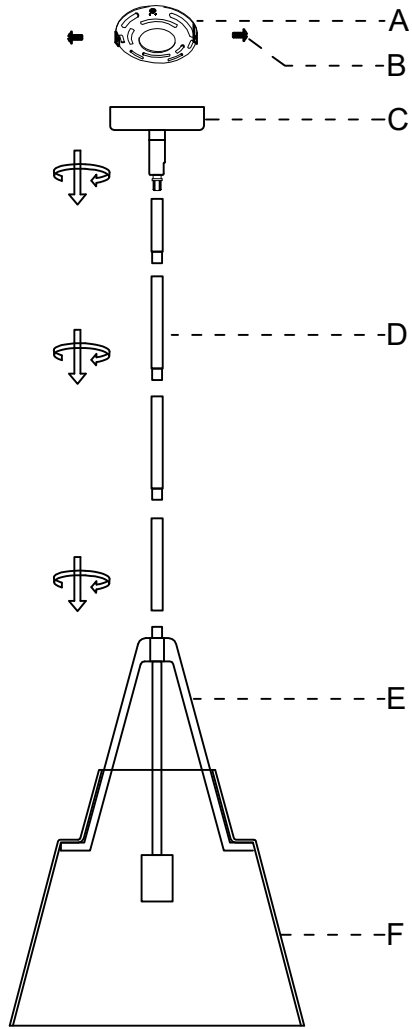
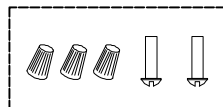
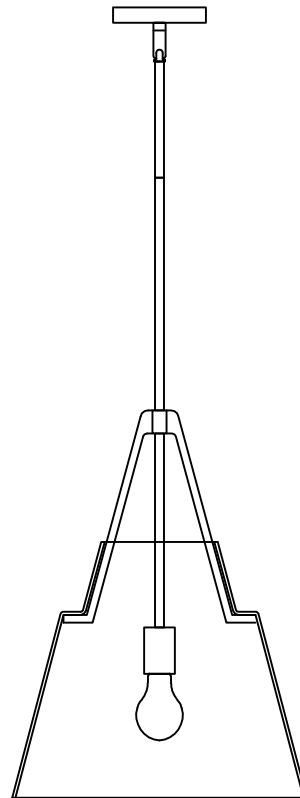


Installation Instruction Sheet

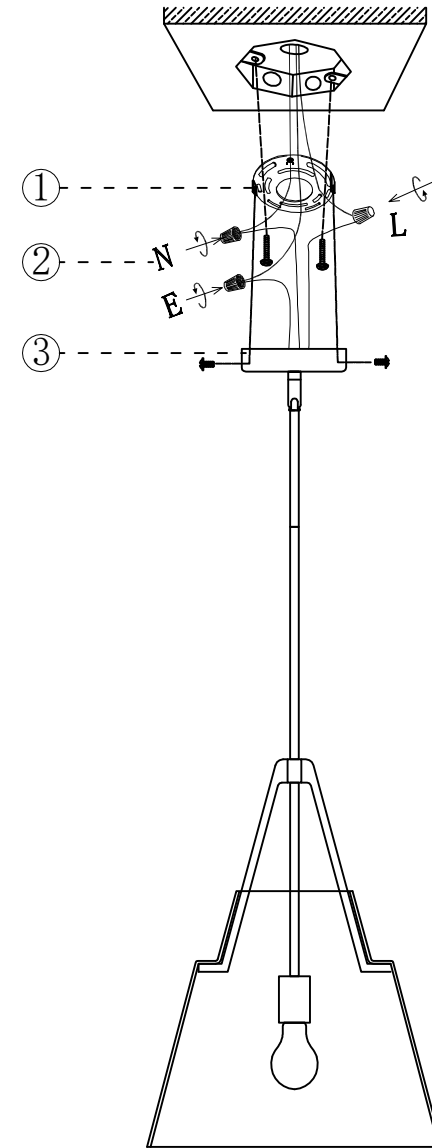
Steps 1



PART LIST		
No.	Name	QTY
A	Mounting Bracket	1 PCS
B	screw	2 PCS
C	Canopy	1 PCS
D	Sling Rod	4 PCS
E	Tripod	1 PCS
F	Glass Lampshade	1 PCS



Steps 2



Fix the mounting bracket (1) to the junction box with screws, connect the power line of the ceiling junction box to the light line as shown in. (2), (red for "L", white for "N", copper for "ground"), fix the suction cup (3) to the mounting bracket (1) with screws, and fix the light base.