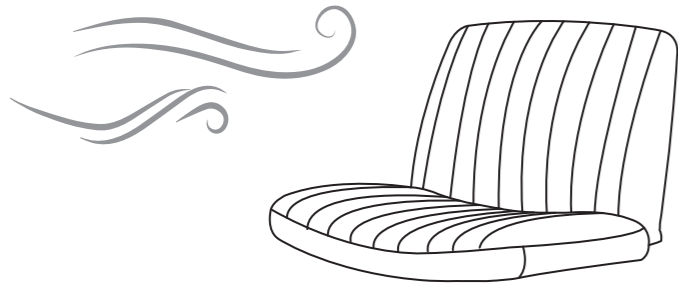
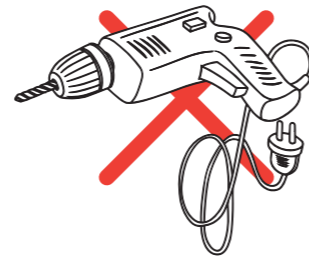


To deodorize the leather
leave the chair in a shady
outside for 1-2 days.



For longer use

Re-tighten bolts every 6 months by using
the enclosed allen-key.
*Using an electric drill can damage the chair.
Please re-tighten bolts manually.



Safety Information



Sit in the center of the
chair, with your back to
the backrest



Do not sit at the front
edge of the chair



Do not stand on the
chair



Do not use the chair
with more than one
person



Do not push the chair
around when a person
is sitting in it



Do not push down on
the backrest when a
person is reclined



Do not place all your
weight on only the
backrest

INSTRUCTION MANUAL

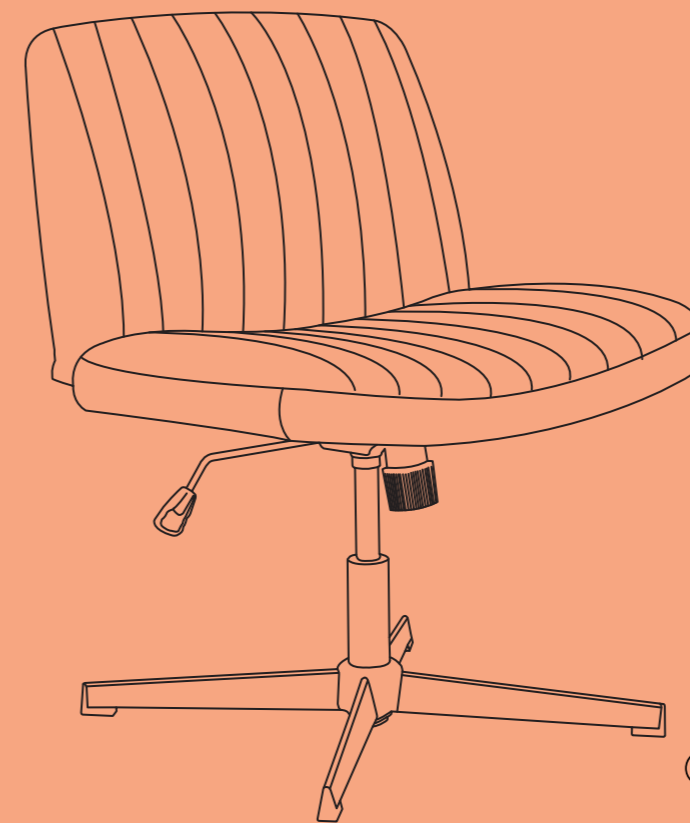
Model: C-7261 C-7261-LEA

✉ HJ-Customer-Service@outlook.com

☎ (909)637-7665 | (909)637-7593

INSTRUCTION MANUAL

C-7261
C-7261-LEA



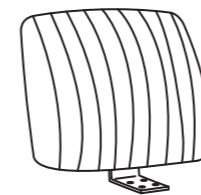
<https://hlinstallationvideos.s3.amazonaws.com/7261+Office+Chair.mp4>

✉ HJ-Customer-Service@outlook.com

☎ (909)637-7665 | (909)637-7593

EST 9:00AM--17:00PM

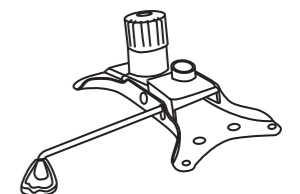
Package List



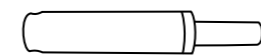
(A)*1 Backrest



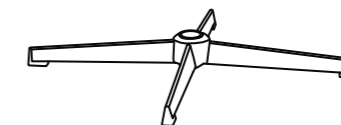
(B)*1 Seat Cushion



(C)*1 Mechanism



(D)*1 Gas Lift



(E)*1 Leg



(F)*4 Bolts

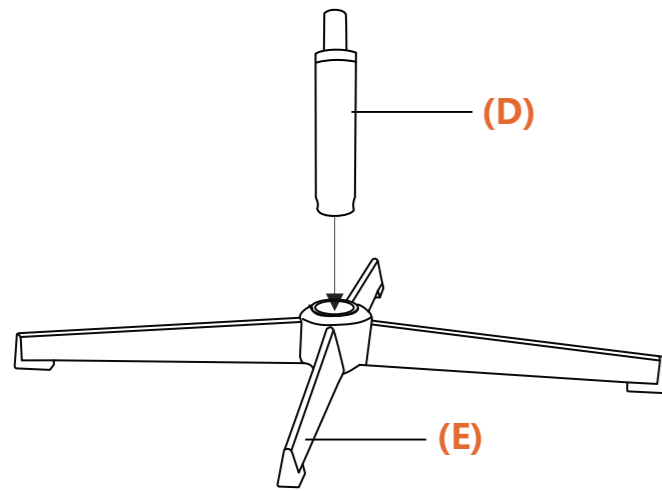


(G)*4 Bolts

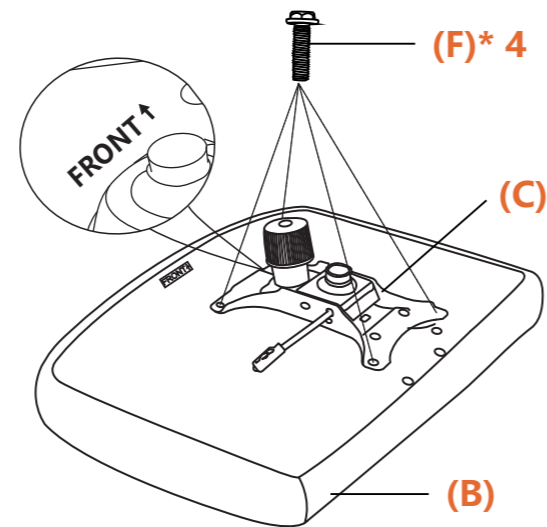


(H)*1 Wrench

Assembly Instruction

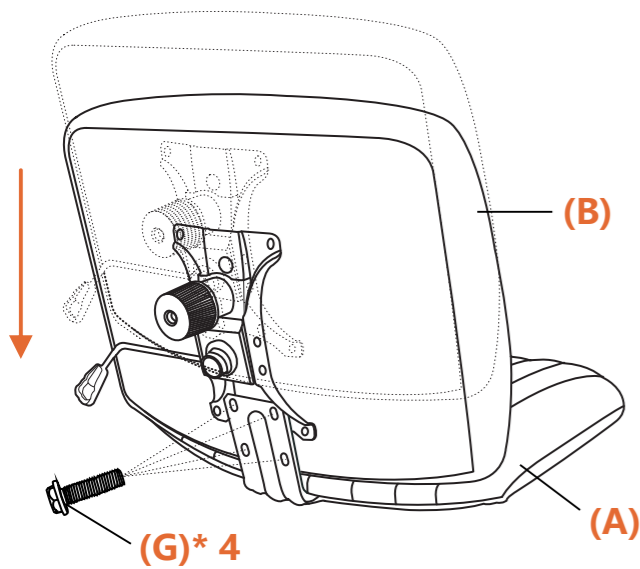


1 Insert the Gas Lift (D) into the Leg (E).

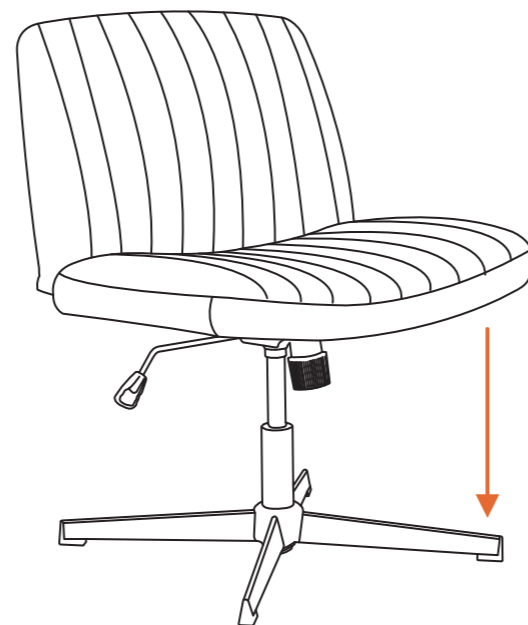


NOTE:
Make sure the "FRONT" direction of Mechanism (C) and Seat Cushion (B) are the same.

2 Using Wrench (H), attach Mechanism (C) to the Seat Cushion (B) with Bolts (F)*4.

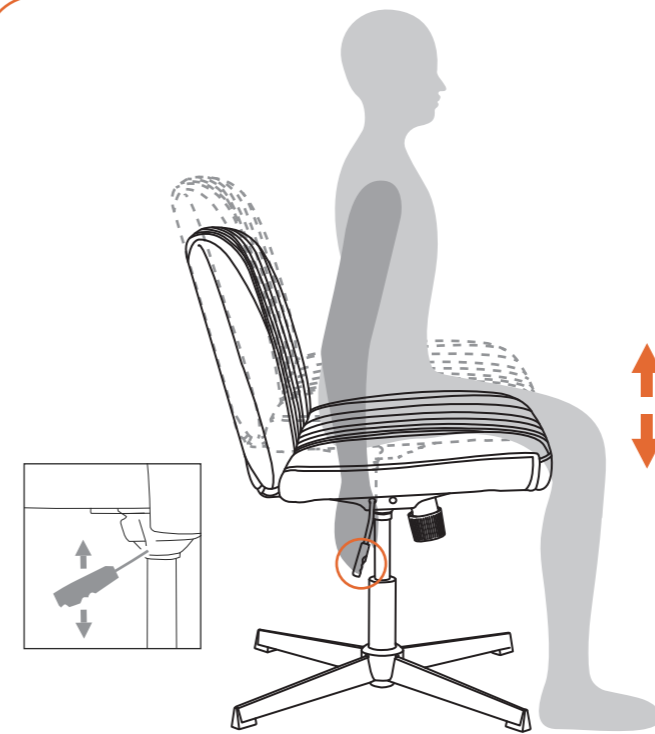


3 Align the screw holes on the Seat Cushion (B) and Backrest (A). Using Wrench (H), secure both completely with Bolts (G)*4.



4 Align the hole on Mechanism (C) with Gas Lift (D), and press the Chair down until it is fully secured.

Instructions For Use



CAUTION:

- * Before using the chair, check to ensure that all bolts are fully tightened.
- * Lubricate all parts and tighten all bolts every 6 months or whenever needed.