

INSIGNIA™

QUICK SETUP GUIDE

LED Tape Light

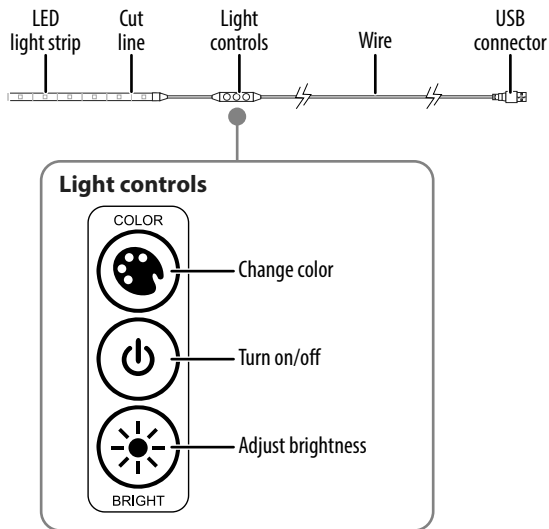
NS-LED4RGB18

PACKAGE CONTENTS

- LED tape light
- Double-sided tape
- *Quick Setup Guide*

FEATURES

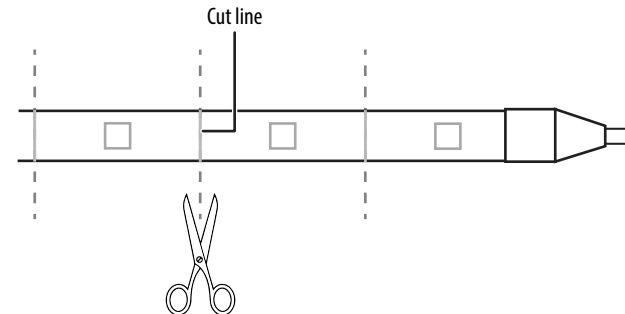
- Premium LEDs produce 20 selectable colors
- Multi-step dimmer adjusts to the brightness level you want
- Self-adhesive backing attaches to TVs, cabinets, or other spaces for quick, custom lighting
- Reduces eye strain from TVs and monitors while enhancing image contrast
- Lights powered through USB (on your TV or computer) or with a USB power adapter (not included)



USING YOUR TAPE LIGHT

Shortening your tape light

- Use a pair of scissors to cut on a cut line. Cut lines are about 1.3 in. (3.3 cm) apart.
Warning: Do not cut the silver solder markings. Only cut in the center of the copper-colored pads, as shown.



Attaching your lights




- 1 Peel the adhesive backing off the lights, then adhere the lights where you want them.
- 2 **Optional:** Attach the double-sided tape to the back of the light control, then adhere it where you want it.

Connecting to power

- Place the tape light where you want it, then connect the USB connector to your TV, computer, or other USB power source.

Adjusting the lights

Note: If you turn off or unplug your tape light, it will remember your last brightness and color settings.


- Press  (power) to turn the tape light on and off.
- Press  (COLOR) repeatedly to change the color combination. There are 20 available colors.
- Press  (BRIGHT) repeatedly to adjust the brightness. There are eight light levels.

SPECIFICATIONS

- Input: 5V DC, 1A
- USB power supply (not included): 5V DC, 0.5A minimum (1A or more recommended)
- Length: 4 ft. (1.2 m)

TROUBLESHOOTING

LEDs will not turn on.

- Press the power button to make sure your light is turned on, then press  (BRIGHT) to increase the brightness.
- Make sure that your lights are connected to a working USB port or power outlet. If connected to a computer, turn on your computer.

LEDs flicker or turn on and off.

- Make sure that your lights are plugged into a working power outlet or USB port. Try plugging into a different power source.
- Make sure that the cable is not damaged.

SAFETY INFORMATION

- To avoid damage to the light strip, do not sharply twist or bend the light strip 90°.
- Do not cut the silver solder markings. Only cut in the center of the copper-colored pads.
- Do not plug in your lights when they are coiled. This can generate excess heat which can damage the product or connected device.

ONE-YEAR LIMITED WARRANTY

Visit www.insigniaproducts.com for details.

CONTACT INSIGNIA:

For customer service, call 1-877-467-4289 (U.S. and Canada) or 01-800-926-3000 (Mexico)

www.insigniaproducts.com

INSIGNIA is a trademark of Best Buy and its affiliated companies
Distributed by Best Buy Purchasing, LLC
7601 Penn Ave South, Richfield, MN 55423 U.S.A.
©2017 Best Buy. All rights reserved.

Made in China