



# MESSAGE BATHTUB

MODEL: EMPV-71JT802L



## Introduction

In order to use our products safely and effectively, please read this instruction carefully. Improper installation, operation and maintenance will cause the damage to the products and charge you extra repairing fee.

- Thank you for you to choose our massage bathtub series;
- We provide a lifetime warranty after-sale service, please fill warranty registration form accurately;
- If you need any help, please contact local distributor or our company directly;
- Our company reserve the right to change all the models listed in this instruction without prior notice;
- This instruction applies to the listed products as below.
- Because of the difference of the market requirement and individual custom product, please refer to the corresponding content in this instruction according to the product and its functions you choose. In this way, you can install and operate the product correctly.

- In order to install the product correctly and safely by the installer, and you can use and maintain this product correctly and safely, please pay much attention to the warning sign as below

The warning symbol's meaning is as below:

**Notice** This symbol indicates that errant handling after disregarding this symbol could result in personal injury or property loss.

- In order to install, use and maintain this product correctly and safely, please read and understand this instruction totally.
- This instruction is a valuable source of product information to help the end user use the product safely and correctly. Please take good care of it and keep it from getting lost or soiled.

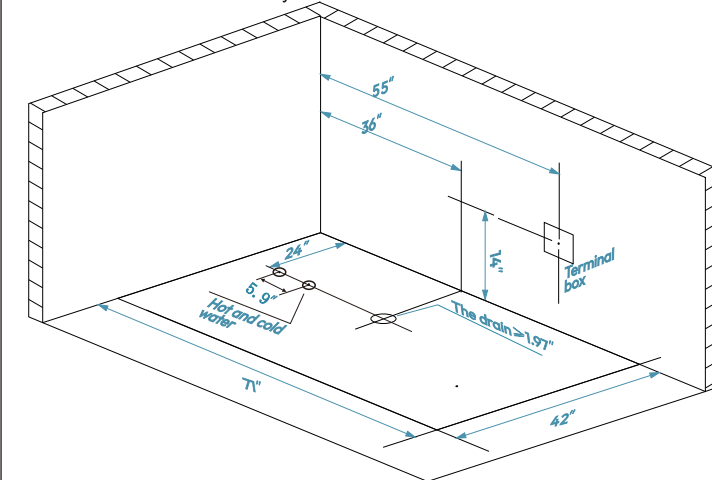
## Preparation before installation

- Make sure the place you install the bathtub is strong enough to bear the total weight of bathtub, maximum water volume and the user.
- Waterproofing process must be made in the place of bathtub installed, or down stair will get damaged if water leaks.

- The installed place must equip with water supply, power supply and drainage:
- This product uses universal home power.

**Notice** \*External circuitry need to equip with high sensitive and fast type leakage protection switch. (Induced current rating below 15MA, trip time should less than 0.1 second, rated current is above 30A.)  
\* The product should be installed the grounding and electric leakage switch by a qualified licensed electrician.

- Please reserve the drainage hole  $\geq \varnothing 50\text{mm}$ , make sure the drainage pipes accord with the water valve.
- User need to reserve the connectors of 1/2" external thread cold/hot water hoses, which outstand the wall 30mm. It is suggested to install a valve in each pipe, the location of installed should be designed by user, which is convenient for maintaining.
- As each bathroom or power and drain of each bathtub is slightly different, please place the bathtub according to the actual situation, the following illustration as a reference layout:



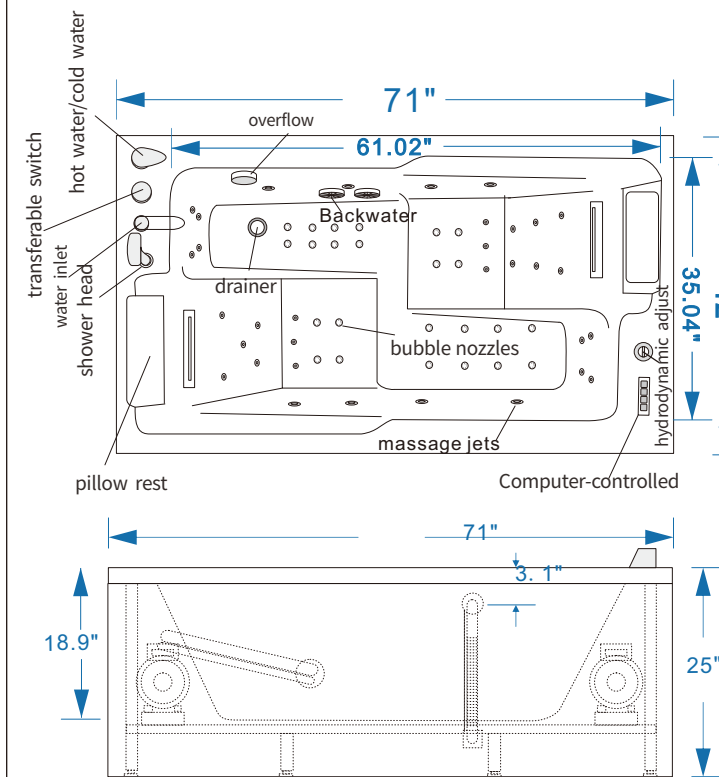
**Notice** The safe distance between power supply and water supply should be not less than 30cm.

## Precautions for installation

**Notice**

- Please check whether all parts are complete. If you have any question, please give feedback to our company in time.
- After opening the box, please immediately dispose of unneeded packaging. Or it may cause the personal injury by the wooden frames, nails, cardboard or sealing straps which are placed carelessly.
- In addition, please do not let the children to play with the packing material. Or it will cause personal injury.
- Parts containing live parts, except parts supplied with safety extra-low voltage not exceeding 12 V, must be inaccessible to a person in the bath
- Earthed appliances must be permanently connected to fixed wiring
- Parts incorporating electrical components, except remote control devices, must be located or fixed so that they cannot fall into the bath
- Please do not use other power, except specified power Or it may cause fire or electric shock.
- Electrical leakage protection switch should be installed outside the bathroom. Or it may cause fire or electric shock.
- Do not use the broken power supply, power plug or the loose socket. Or it may cause fire or electric shock.
- Do not modify the power supply cord, use it with an extension cord or combine it with other equipment using multiple plugs. Doing so could lead to shocks, overheating or fire.
- Please make sure the power plug is waterproof protection with silicon. Or it may cause fire or electric shock by water infiltration.
- Before the installation finish, please use cardboard to protect the bathtub or it may lead the damage of the bathtub.
- Do not put the fire on the bathtub, such as a lighted cigarette, or it may lead the damage of the bathtub.
- Do not stand on bathtub while working. Doing so could cause one to slip and fall or could otherwise damage the product.
- Install securely, in accordance with the Installation Manual. Improper installation can lead to water leaks that damage or ruin household property.
- After finish the installation, the product should go into trial operation fully to check the installation is proper or not.

## Size chart



## Installation instruction

### ● Inspection before installation

Although all our massage bathtub are water tested before they leave our factory, there may be some loose of the hose connections due to the transport. We need water test the product before installation. The steps are as follow:

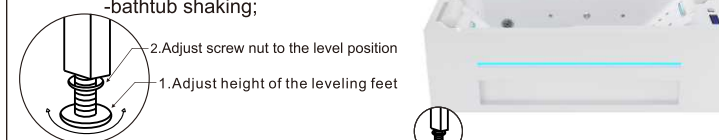
- Place the tub on a flat surface in an area where it may be drained after testing. And adjust the feet to make the bathtub level;
- Check if there is any loose of all the connection system;
- Close the door, fill the tub with water to the overflow and allow standing for 10 minutes to inspect the tub for leaks;
- Insert the plug, start all the function for few minutes (which includes the functions of massage ), inspect the tub completely any defect must be reported to your dealer/distributor prior to installation in order to have it covered under warranty.

### ● Adjust the leveling feet

According to different sizes bathtubs, we design about several leveling feet to adjust the bathtub. Please use a wrench or level ruler to level the bathtub.

Note: If the bathtub is not level, it may lead :

- noise increased;
- remaining water in the hoses or the drainage;
- bathtub shaking;

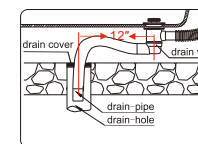
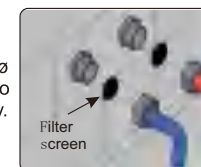


## Installation instruction

### ● How to connect the water ?

For ease of use, our bathtub is equipped with stainless steel cold and hot water hoses (connector  $\varnothing$  1/2"). Please connect the cold and hot water hoses to the bathroom's cold and hot water hoses accordingly.

Before connect bathtub water inlet pipe, first open water pipe for a period of time, then put filter screen to ensure that the debris will not enter the bathtub pipe. So that we can effectively extend the life of the fitting.



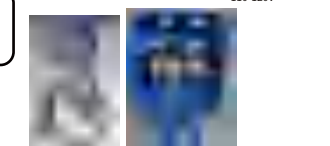
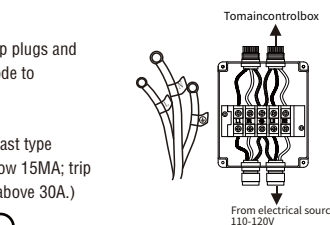
The drain pipe is 31.5" long and the ground drain should be 12" – 20" away from the bathtub drain so that the drainpipe can form an S-bend for odor isolation  
Insert the drain-pipe to the drain-hole on the floor, and then cover it with water retaining cover to prevent waste water spilling.

**Notice** The red hose stands for hot water hose; the blue hose stands for cold water hose;  
Drain-pipe should be installed with slope above 1:50;  
Do not hold the drain-pipe and cold/hot water hoses when moving the bathtub, and do not crash it with hard objects.

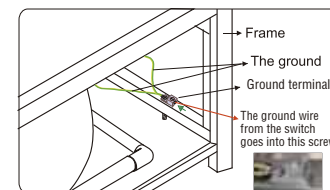
### ● How to connect the electricity?

User needs to purchase two separate 110/120V 15amp plugs and install the proper dedicated plug with a ground electrode to the power line. Then insert the plug firmly.  
Note: This product uses universal home power. External circuitry is equipped with high sensitive and fast type leakage protection switch. (Induced current rating below 15MA; trip time should be less than 0.1 second; rated current is above 30A.)

**Notice** The product should be installed alongside ground and electric leakage switches by a licensed electrician.



Make sure the ground is connected. One side of the ground should be connected to the ground terminal of the motor and the stainless steel frame; the other side should be connected to the ground wires of the plug.



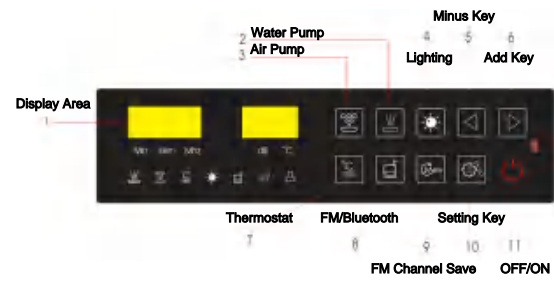
**Notice** The bathtub must be connected to the ground.  
The power outlet must be sealed well.  
Make sure the surface of each wire is intact.

## Precautions for use

**Notice**

- This instruction is for the massage bathtub series, not just for a certain model. Please refer to the model and configuration you choose when using the product.
- Use this unit only for its intended use as described in this manual. Do not use attachments not recommended by the manufacturer.
- Children shall not play with the appliance.
- Cleaning and user maintenance shall not be made by children without supervision.
- Do not permit children to use this unit unless an adult closely supervises them at all times. Supervision is also required when an elderly or handicapped individual uses whirlpool bath.
- For the early months of pregnancy, pregnant or possibly pregnant women should limit whirlpool water temperature to 100°F (38°C), because the excessive water temperatures have a high potential for causing fetal damage.
- Person with a medical history of heart disease, low or high blood pressure, circulatory system problems or diabetes should consult a physician before using a whirlpool.
- The use of drugs or alcoholic beverages before or during whirlpool use may lead to unconsciousness with the possibility of drowning.
- The water in a whirlpool should never exceed 104°F (40°C). Water temperatures between 100°F (38°C) and 104°F (40°C) are considered safe for a healthy adult. Use time should be limited to approximately 30 minutes, followed by a shower to cool down. Lower water temperatures are recommended for extended use (exceeding 10-15 minutes) and are definitely recommended for younger children. If you become nauseous, dizzy or develop a headache, get out at once and cool down. Get medical attention if symptoms persist. Check with a physician before using whirlpool again.
- Persons using medication should consult a physician before using a whirlpool since medication may induce drowsiness while other medication may affect heart rate, blood pressure and circulation.
- The thermostatic mixer can maintain the temperature of the water input, please use carefully according to the operating instruction to avoid the scald or catch a cold.
- Do not operate this unit without the suction cover over the suction fitting. This suction cover is a safety device that reduces the potential hazard of hair or body entrapment. Keep hair and body away from suction cover when the pump is running.
- Never drop or insert any object in any opening within the whirlpool.
- Never operate electrically connected devices in or near the bath. No electric appliances should be within 5 feet/1.5 meters of this bathtub (such as hair dryers, lamp, telephone, radio, television and so on.)

## H2208 Control panel operation



### Function

1. Air Pump
2. Water Pump
3. Thermostat
4. Lighting
5. FM/Bluetooth music player
6. O<sub>3</sub> function

### Operation guide

#### On/Off

1. Start the system  
Shortly press the button to start the system, the display area will show the current temperature.

2. turn off  
When the system is on, it will auto turn off in one hour. If have the operation, it will reset time for 1 hour. When the system is on, shortly press the button to turn off the system.

If there is no operation after the system is on, it will auto turn off in two minute. When power is on, the buzzer will short beeps.

#### Air Pump

When the bathtub is full of water, shortly press the button to turn on the air pump. The icon of the button will be lit. The air pump will start with the maximum wind and will change to the default setting level in 2 seconds. Shortly press the button again can turn off the air pump.

When the air pump is on, if the bathtub change to less of water, the air pump will be auto off.

When the bathtub works in lack of water condition, the back-light of the button will be lit, The air pump will turn off after starting with maximum wind in 10 grade for 5 minutes. It will turn off the air pump when detects with water again in 5 minutes.

#### Water Pump

Shortly press the button to turn on or turn off the water pump function. When the water pump is on, if the bathtub is full of water, the button will be lit and the water pump works. If the bathtub lacks of water, the water pump will stop and the back-light of the button will flashes. If the bathtub is full water again, the water pump works again.

#### Thermostat

When the bathtub is full of water and water pump function is on, shortly press the button to open the thermostat function. After thermostat function is on, the icon is lit. Shortly press the button again can turn off the thermostat heating.

When the thermostat function is on, if the water temperature is 1 degree C lower than the setting temperature, the thermostat heater will be auto heating until the water temperature is higher than or equal to the setting temperature. At this time the heater will stop heating. When close the water pump, the thermostat function will auto off.

After open the thermostat function, the screen shows the setting thermostat temperature and the icon is flashing, after two seconds showed the setting temperature, it will show the current temperature, the icon will be always lit.

If the bathtub lacks of water and the thermostat function is on, the heater will stop heating and the icon will be flashing. If the system detects full water again and water pump is on, the heater will be auto heating again.

When the thermostat function is on. The first time shortly press to enter the setting of the thermostat temperature, the icon is flashing and show the temperature on the display area. At this time press the button or to adjust the thermostat temperature. The range is from 25 to 45 degree C.

#### Lighting

When the system detects full water, shortly press the button to open the lighting function and the icon will be lit. Press again can close the light and the icon will be off. When the light is on and the bathtub is less of water, the icon will be flashing. After the bathtub is full of water again, the light will auto open again.

#### Radio

The first time shortly press the audio switch key to turn on the radio and the display area will show the current radio channel. Icon is bright. The second time shortly press the button and enter the Bluetooth station. Icon is bright and the is dark. The third time shortly press the audio switch key to close the Bluetooth function.

When FM is on, at this time press the button or to adjust the volume. is for louder volume, is for lower volume. Press the icon until to the flashing appear, press the button or to adjust the radio channel. Shortly press icon for next channel, or for last channel. Long press for 1.5 second to search the next channel, or to search the last channel. The range is :87.5MHz-108.0MHz.

When the radio function is on, press key MEM for 1.5 second to save the channel, Shortly press MEM to exchange the channel, range 1-10.

#### Bluetooth Music Player

When system is on for 5 seconds, use the Bluetooth function on your smart device to search the Bluetooth of the bathtub. And it will auto disconnect for off-system in 10 seconds. Shortly press to switch to Bluetooth music player and the icon is bright. If it doesn't connect, the icon is flashing. It will appear bt.F character. If it connect successfully, the icon is bright steady, and show bt character.

When Bluetooth is playing, shortly press the button or to adjust the volume. Icon is for louder volume, is for lower volume. Shortly press the icon until to the flashing appear, press the button or to adjust the music. Shortly press icon for next song, or for last song.

#### Bluetooth music player instructions :

- A. Connect the smart device to Bluetooth after the system is on for 5 seconds;
- B. After successful connecting, open the music player on mobile phone, play the song;
- C. Shortly press the icon to switch to the Bluetooth music function.
- D. If it shows bt.F character on display area when the Bluetooth is on, it means it fail to connect and please re-connect.

## Panel Lock and Unlock

If there is no operation in 30 seconds or press the SET/Lock Key 1.5 seconds, the panel is locked and all key is invalid. Shortly press to unlock.

## O<sub>3</sub> function

It will auto start the O<sub>3</sub> function after turning off the system for 30 seconds, icon is bright. After 10 minutes, it auto turn off, and the icon will be off.

If start the system while O<sub>3</sub> function is on, and it will stop O<sub>3</sub> function.

## Parameters Setting

#### Setting Mode Choice:

When the audio is on, both and are used to adjust the volume, range: 0-15dB; Touching the setting on the panel, choose the parameters mode. The operation is as below:

The first time to press the setting key to control thermostat temperature, the screen shows the setting degree C. Icon is flashing. (please skip this step if thermostat temperature function is off.)

The second time to press the setting key to control the volume, icon is flashing. (Please skip this step if the FM/Bluetooth function is off.)

The third time to press the setting key to adjust the radio channel, searching channel or Bluetooth switch songs. is flashing. (Please skip this step if the FM/Bluetooth function is off.)

The fourth time to press the setting key to adjust the wind speed. The screen show the wind speed, such as L5. (Please skip this step if the wind pump is off.)

#### Parameters Setting:

1. Adjust channel: Enter to the frequency adjust station, press the "add or reduce" key to control the frequency; Long press the "add and reduce" key to the searching channel station.
2. Volume: The range of volume is 1-10 grades.
3. Adjust/ search channel: When adjust the channel, shortly press to add 0.1MHz, shortly press to minus 0.1MHz. When search the channel, long press 1.5 seconds to search upward channel, long press 1.5 seconds to search downward channel, it will stop until searching the valid channel.
4. Wind speed adjust: Enter to adjust the speed of wind pump, touching the "add or reduce" key to control the speed up or down. The range is 1-10 grade.
5. Thermostat Temperature adjust: Enter to adjust thermostat temperature station, touching the "add or reduce" key to increase or reduce the thermostat temperature. The range is 25-45 degree C.

#### Technical parameters:

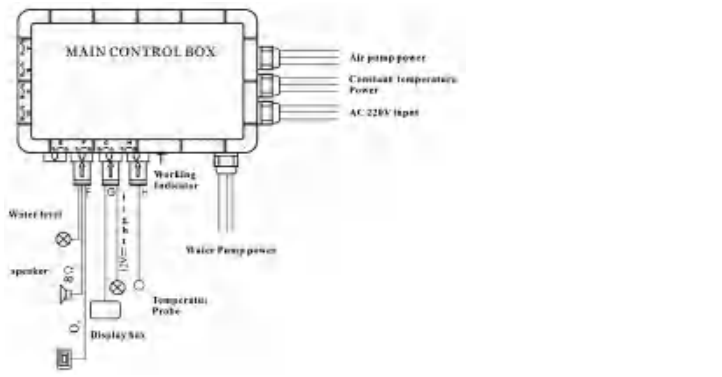
Rated Working condition and characteristic				
Rated voltage	AC220	Frequency	50Hz	
Rated current	15.7A	Rated power	3450W	
Insulation resistance	>20MΩ	Waterproof	IPX5	
Load parameters				
Loads	Rated voltage	Frequency	Rated power	Other
Thermostat	AC220V	50Hz	2KW	-
Water Pump	AC220V	50Hz	1KW	-
Air Pump	AC220V	50Hz	400W	-
Light	AC12V	50Hz~	10W	-
Ozone	DC12V	50Hz	6W	-
Speaker	-	-	8 / 10w	-
Control panel Size				
Control panel	Length * Width = 120*75 (mm)			
Control box	Length * Width * Height = 275*218*92 (mm)			

Fault	Fault cause	Solution
No sound from loudspeaker	1.The volume is adjusted too low. 2.The adapter of loudspeaker has been loosened. 3.The loudspeaker is damaged.	1.Increase the volume. 2.Reconnect the wire properly. 3.Replace the loudspeaker.
Failure of remote control	The remote control has low battery.	Replace the battery.
The machine cannot be activated	1.The creepage protection plug has not been electrified. 2.The control line between controller and electric box has not been connected properly.	1.Check if creepage protection plug indicating lamp has been extinguished. If the answer is yes, reconnect the power supply. 2.Reconnect the computer line properly.
Underwater lamp does not light up	1.The wiring for underwater lamp is loosen. 2.The bulb is damaged.	1.Reconnect the wire properly. 2.Replace with new bulb.
Poor radio result	1.The antenna has not pulled out. 2.The radio frequency has not been adjusted properly. 3.The user is in weak signal area.	1.Pull out the antenna and place properly. 2.Readjust radio frequency properly. 3.It is influenced by geographical position.

Ozone quickly check: Long press 1.5 seconds on the display box, open the Ozone function, release for turning off the function.

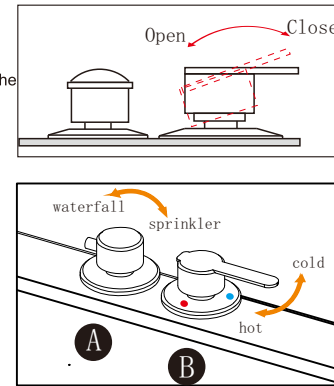
Enter to the aging mode: Shortly press third times, and then long press 1.5 seconds to open the aging mode. Turning on all function, water pump, air pump, constant temperature and lighting is not controlled by the water level. It will be on for 6 hours. It shows "LH". Press on/off key or cut the power to be out of aging mode.

#### Installation wiring diagram



## Two-piece set faucet:

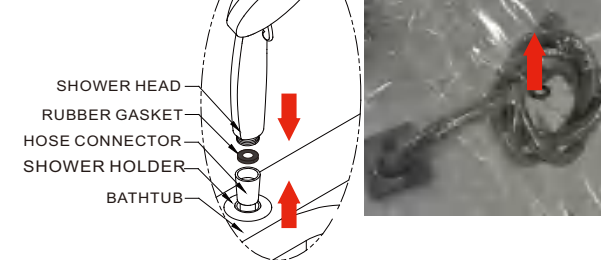
- A. Waterfall/Sprinkler transferable switch (Marked with Icon)
- B. Controls the water inflow and the water temperature: Up the handle to open, otherwise down the handle to close water inflow (You pull up the handle higher; the water force will be stronger. Otherwise, the water force will be weaker.); You can rotate switch B to left or right to set the water temperature you want.



## Multi-function handheld shower with back flow protector.

Press this switch to adjust the shower jet mode.

## SHOWER INSTALLATION



## SHOWER HEAD INSTALLATION

Make sure it lies flat. To install the shower head, follow the steps shown in Figure A.

First, remove the hose connector from the shower holder. Then, insert the rubber gasket into the hose connector, Finally, tighten the shower head and the hose connector securely.

## Water jets use:

Rotating the head of water jets clockwise/anticlockwise can adjust the water force; Turning the head of water jets up, down, left or right can adjust the angle of inflow.



Small water jets

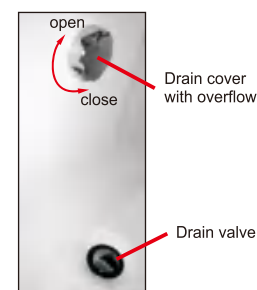
## O<sub>3</sub> function

This is O<sub>3</sub> jet, it comes out from here



## Drainage

### 1. Manual drainage



Rotate the cover clockwise to close the drain; Rotate it anticlockwise to open the drain.

When the water level exceeds the maximum level, the excess water will drain through the overflow.

To activate the ozone generating system, simply press the "O" button on the control panel. The ozone-generating system will then start operating, releasing ozone into the water via the designated outlet (as depicted in the illustration). During operation, do not directly touch the ozone-emitting area to prevent potential skin irritation.

## Care and Maintenance

Regular bathtub maintenance will keep it clean and working at its best. Pump and pipe circulation systems should be flushed before first use and on a monthly basis when product is under normal use. Below is the recommended cleaning procedure:

1. Do not run the jet massage system dry.
2. Fill the tub with hot water (about 40°C) 2-3 cm (0.9-1.2 inch) above the jets. Add 2-3 teaspoons of low foaming detergent, such as dishwashing machine detergent.
3. Turn on all the functions and run for 10 minutes.
4. Drain tub completely.
5. Fill tub with cold water above jets.
6. Turn on all the functions and run for 15 minutes.
7. Drain tub completely.
8. Clean the "suction cover" by removing any hair or lint.

#### Whirlpool Suction Cover/Strainer

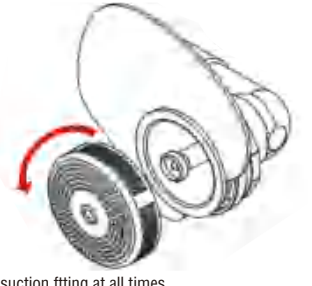
Maintain regular cleaning of the suction cover/strainer

1. Rotate the suction cover to the left to detach it.
2. Remove any hair, lint, or debris present on the cover and housing.
3. Remember to reattach the cover in place.

**WARNING!** Please orient the cover/strainer with the small notch at the bottom. The gasket must be inserted into the groove of the cover/strainer before mounting it onto the suction fitting.

**DANGER: RISK OF SEVERE INJURY OR DROWNING!**

- a. Keep hair a minimum of 6 inches (152 mm) away from the suction fitting at all times when the whirlpool system is operating. Individuals with shoulder-length hair should secure it close to their heads or wear a bathing cap.
- b. Do not operate the Whirlpool system with the suction cover/strainer removed! It is a safety device and must always be in place on the suction fitting to minimize the potential hazard of hair and body entrapment.



Always implement countermeasures that help prevent freezing. You must empty the bathtub and the water in the pipe during winter use. If the pipes freeze, the pipes could rupture or equipment could become damaged.

Use no water other than standard tap water. The use of well water could cause corrosion, which could lead to leaks.

The bathtub should not be exposed to ultraviolet or bright light, otherwise aging could be accelerated, causing damage.

Keep the bathtub away from cigarette butts, hair dryers, and other heat sources, otherwise the product may be damaged due to high temperature deformation.

When not in use, please keep the bathtub well-ventilated and dry; avoid contact with corrosive substances; cut off electricity and cut off water supply.

To avoid other damage, please do not drop or strike the bathtub with hard objects. Doing so could crack or scratch the bathtub or cause leaks that damage or ruin household property.

When the product is at work, you cannot cut off any connection lines and split the bus master and control panel. Any part of the control panel and the bus master CAN NOT be split by the user. Doing so may cause product leakage, electric shock, or other accidents.

The ground fault circuit interrupter (GFCI) should be tested regularly. It is ideal to test before each use.

Use water or mild detergent to clean the product. Do not use acids, alkalis, chemical organic solvents, or acidic/alkaline cleaning agents. Otherwise, the bathtub will experience surface damage. When water or a neutral detergent cannot remove stains, use a clean cloth with a little alcohol to remove stains.

Plating parts maintenance: use cotton fabric to scrub.

Light scratches and dulled areas may be restored to original luster by coarse grinding using NO. 1200 waterproof sandpaper dipped in water. Then fine grind by using NO. 2000 waterproof sandpaper dipped in water. Finally, polish with a soft cloth and a polishing agent.

When not in use, please keep the bathtub well-ventilated and dry; avoid contact with corrosive substances; cut off electricity and cut off water supply.

**Empava® APPLIANCES**

**PROOF OF PURCHASE IS REQUIRED TO OBTAIN WARRANTY SERVICE.**

Please have the following information available when you call/ email the Empava Customer Center:

- Proof of purchase (PO# or screenshot of order confirmation)
- Model number and serial number
- A clear and comprehensive description of the issue

IF YOU NEED SERVICE: Empava Customer Center  
 Email: support@empava.com  
 Address: 458 Parriott Place West, City of Industry, California  
 91745, United States

Website: <https://empava.com>  
 Call: 888-682-8882 Monday – Friday from 9am – 5pm PST

**Empava® APPLIANCES WARRANTY**

**WHAT IS COVERED**

**WHAT IS NOT COVERED**




<p><b>TWO YEARS WARRANTY (PARTS)</b>                  Empava offers a two-year warranty on parts for the following categories: induction cooktop, gas cooktop, electrical oven, pizza oven, fre glass, juicer, range hood, wine cooler, beverage refrigerator and toilet seat</p> <p><b>TWO YEARS WARRANTY (PARTS &amp; LABOR)</b>                  Empava offers a two-year warranty on both parts and labor for the following categories: gas oven and gas range.</p> <p><b>THREE YEARS WARRANTY (PARTS &amp; LABOR)</b>                  Empava provides a three-year warranty on both parts and labor for the following categories: freestanding tub, massage tub, and walk-in tub.</p> <p>This limited warranty is valid for products that are either purchased brand new from an authorized Empava dealer or directly from Empava.</p> <p>The effective date of the warranty commences from the date of original consumer purchase. If the appliance is installed, operated, and maintained in accordance with the user manual, Empava will provide parts at no cost to rectify any defects in materials and workmanship that were present at the time of purchase. Alternatively, at its sole discretion, Empava may replace the product. In the event of product replacement, the warranty for the replacement product shall be valid for the remaining term of the original warranty period.</p>	<ol style="list-style-type: none"> <li>1. Commercial, non-residential or multiple-family use, or use inconsistent with published user, operator or installation instructions.</li> <li>2. In-home Instruction on how to use your product.</li> <li>3. Service to correct improper product maintenance or installation, installation not in accordance with electrical or plumbing codes or correction of household electrical or plumbing (i.e., house wiring, fuses or water inlet hoses).</li> <li>4. Defects or damage caused by the use of non-genuine Empava parts or accessories.</li> <li>5. Conversion of your product from natural gas or L.P. gas.</li> <li>6. Damage from accident, misuse, abuse, fire, floods, acts of God or use with products not approved by Empava.</li> <li>7. Repairs to parts or systems to correct product damage or defects caused by unauthorized service, alteration or modification of the appliance.</li> <li>8. Cosmetic damage including scratches, dents, chips, and other damage to appliance finishes unless such damage results from defects in materials and workmanship and is reported to Empava within 30 days.</li> <li>9. Discoloration, rust or oxidation of surfaces resulting from caustic or corrosive environments including but not limited to high salt concentrations, high moisture or humidity or exposure to chemicals.</li> <li>10. Food loss due to product failure.</li> <li>11. Removal or reinstallation of inaccessible appliances or built-in fixtures (i.e., trim, decorative panels, flooring, cabinetry, islands, countertops, drywall, etc.) that interfere with servicing, removal or replacement of the product.</li> </ol>
---	---

**DISCLAIMER OF IMPLIED WARRANTIES**  
 IMPLIED WARRANTIES, INCLUDING ANY IMPLIED WARRANTY OF MERCHANTABILITY OR IMPLIED WARRANTY OF FITNESS FOR A PARTICULAR PURPOSE, ARE LIMITED TO ONE YEAR OR THE SHORTEST PERIOD ALLOWED BY LAW. Some states and provinces do not allow limitations on the duration of implied warranties of merchantability or fitness, so this limitation may not apply to you. This warranty gives you specific legal rights, and you also may have other rights that vary from state to state or province to province.

**DISCLAIMER OF REPRESENTATIONS OUTSIDE OF WARRANTY**  
 If you want a longer or more comprehensive warranty than the limited warranty that comes with this major appliance, you should ask Empava or your retailer about buying an extended warranty.

**LIMITATION OF REMEDIES; EXCLUSION OF INCIDENTAL AND CONSEQUENTIAL DAMAGES -**  
 HEREIN, EMPAVA SHALL NOT BE LIABLE FOR INCIDENTAL OR CONSEQUENTIAL DAMAGES. Some states and provinces do not allow the exclusion or limitation of incidental or consequential damages, so these limitations and exclusions may not apply to you. This warranty gives you specific legal rights, and you also may have other rights that vary from state to state or province to province.

**Before turning on the constant temperature function, turn on the water massage function first.**

	<p><b>WARNING!</b>                  CALIFORNIA RESIDENTS                  Cancer and Reproductive Harm</p>
	<p><b>AVERTISSEMENT!</b>                  RÉSIDENTS DE CALIFORNIE                  Cancer et Dommages à la Reproduction</p>
	<p><b>¡ADVERTENCIA!</b>                  RESIDENTES DE CALIFORNIA                  Cáncer y Daño Reproductivo</p>
<p><a href="http://www.P65W.amnhs.ca.gov">www.P65W.amnhs.ca.gov</a></p>	

**EMPAVA APPLIANCES INC.**  
 458 Parriott Place West, City of Industry, California  
 91745, United States  
 TEL: +1(888)682-8882  
 WWW.EMPAVA.COM