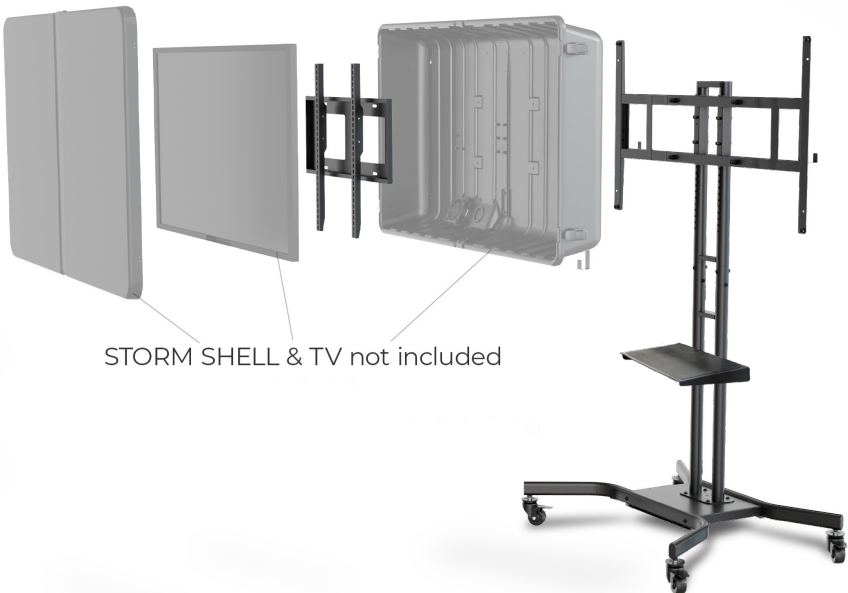




STORM SHELL

Indoor & Outdoor Rolling TV Cart

Assembly & installation instructions



STORM SHELL & TV not included

SS-CART | A-CART

Compatible with 55", 65", & 75" residential Storm Shells

V2.2

Table of contents:

Safety guidelines	3
Getting started	4
Supplied parts & hardware	5
Assembly and installation	9



Safety guidelines

Please read and understand this entire manual before attempting to assemble or operate the product. If the directions are not followed personal injury or property damage may occur.

Keep these installation instructions in an easily accessible location for future reference.

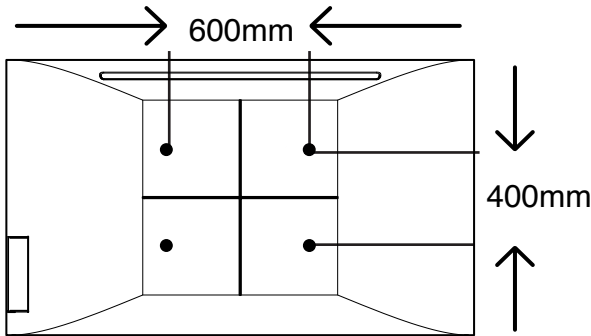
CAUTION

- Only use the TV bracket that is included with the Storm Shell Rolling Cart. Use of any other TV bracket, including the TV bracket included with the Storm Shell TV Enclosure, may cause the Rolling Cart to become unstable and cause serious injury.
- This cart, mount, and hard cover contain small parts which can act as a choking hazard if swallowed.
- The maximum TV load capacity is 100 lbs (45 kg). Exceeding the maximum load capacity may cause serious injury.
- DO NOT leave the Storm Shell Enclosure near a heater, fireplace, air conditioning or any other heat producing source. Failure to do so may result in damage to the display and/or the hard cover and could increase the risk of fire.
- Proper assembly by yourself or a qualified service technician, as outlined in the installation instructions, must be adhered to. Failure to do so could result in serious personal injury.
- It is recommended that two people perform the installation. Injury and/or damage can result from dropping or mishandling the display or hard cover.
- If you don't understand these installation instructions, please consult an installation specialist.
- The maximum equipment shelf load capacity is 15 lbs (6.8 kg). Exceeding the maximum load capacity may cause serious injury.

Getting started

VESA PATTERN/COMPATIBLE STORM SHELLS

Width	600mm (23.62 in) max
Height	400mm (15.75 in) max
Compatible VESA patterns	Will fit 100 mm, 200mm, 300mm, 400mm and 600mm VESA patterns
Compatible Storm Shells	55", 65", 75"



WEIGHT CAPACITY

Maximum TV weight (including accessories): 100 LBS max

ASSEMBLY TOOLS (NOT INCLUDED)



Crescent wrench



Socket wrench



Phillips screwdriver

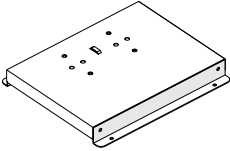


Bubble level

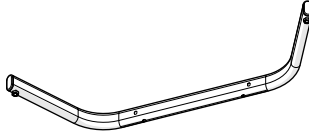
Supplied parts & hardware

TV and Storm Shell not included.

Note: If you are missing any parts, we will ship them to you free of charge.



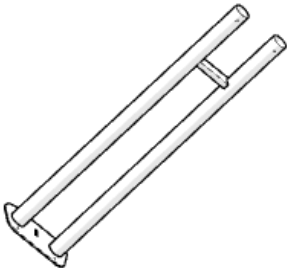
Base (1 PC)



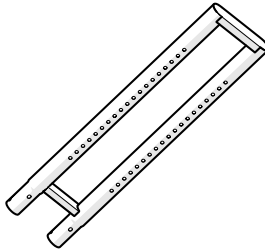
Front leg (1 PC)



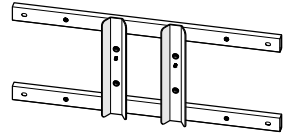
Rear leg (1 PC)



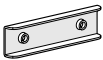
Lower upright post
(1 PC)



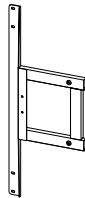
Upper upright post (1
PC)



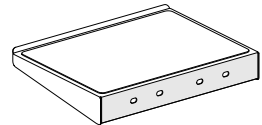
Storm Shell support
frame (1 PC)



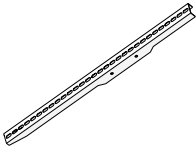
Frame connector (4
PC)



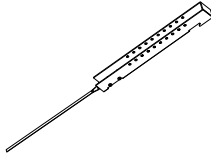
Storm Shell side bracket
(2 PC)



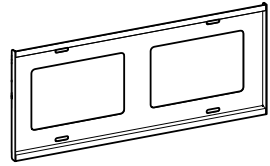
Equipment shelf
(1 PC)



Vertical TV
bracket (2 PC)



Hook bracket (2
PC)



TV bracket (1 PC)



Locking casters (4
PC)



Cover storage
hook (2 PC)

ROLLING CART HARDWARE

RC1



M8x75mm
Qty. 4

RC2



M8x65mm
Qty. 8

RC3



M8x45mm
Qty. 8

RC4



M8x20mm
Qty. 12

RC5



M6x16mm
Qty. 4

RC6



M4x12mm
Qty. 4

RC7



M8 Locking nut
Qty. 16

RC8



M6 Flange nut
Qty. 4

RC9



D8 Washer
Qty. 48

RC10



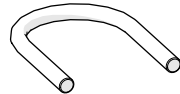
D10 Spacer
Qty. 4

RC11



5mm L-Key wrench
Qty. 1

RC12



U-bolt
Qty. 2

TV MOUNTING HARDWARE

V1



M4x12mm
Qty. 4

V2



M4x30mm
Qty. 4

V3



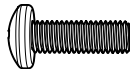
M6x12mm
Qty. 8

V4



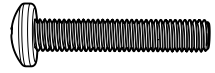
M6x30mm
Qty. 4

V5



M8x25mm
Qty. 4

V6



M8x45mm
Qty. 4

V7



D4 Washer
Qty. 4

V8



D6 Washer
Qty. 4

V9



5mm Spacer
Qty. 4

V10



10mm Spacer
Qty. 4



WARNING:
CHOKING HAZARD

Assembly & installation

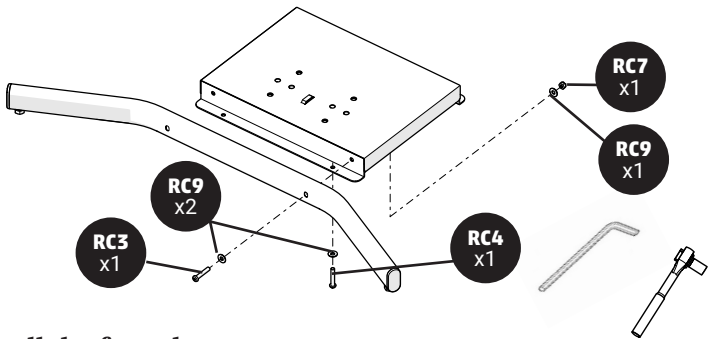
Follow each step as instructed to avoid any unwanted obstacles. Work in a spacious area near where the item will be used. Check your item list to make sure all parts and hardware are included before you begin the assembly process.

If you need any assistance with your new item, please call or email us. We would be happy to assist you through the assembly process.

STEP 1: ASSEMBLE THE CART

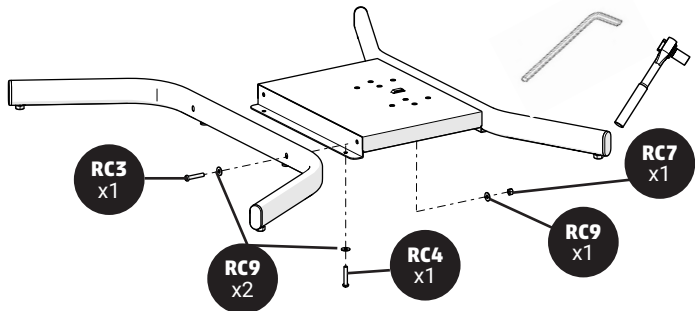
1-1 Install the rear leg

The leg will only fit on the correct side of the base. One half of the required hardware is shown. Repeat hardware install on the second half of the leg.



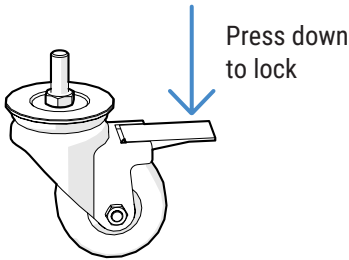
1-2 Install the front leg

One half of the required hardware is shown. Repeat hardware install on the second half of the leg.

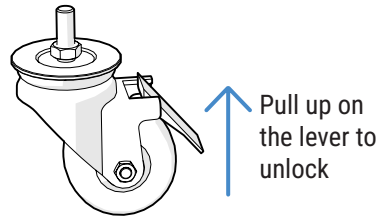


1-3 Lock the casters

Press down on the end of the lock lever on all the wheels to lock them. This will help keep the cart in place while you assemble it.



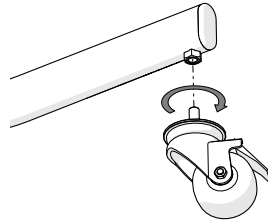
Unlocked



Locked

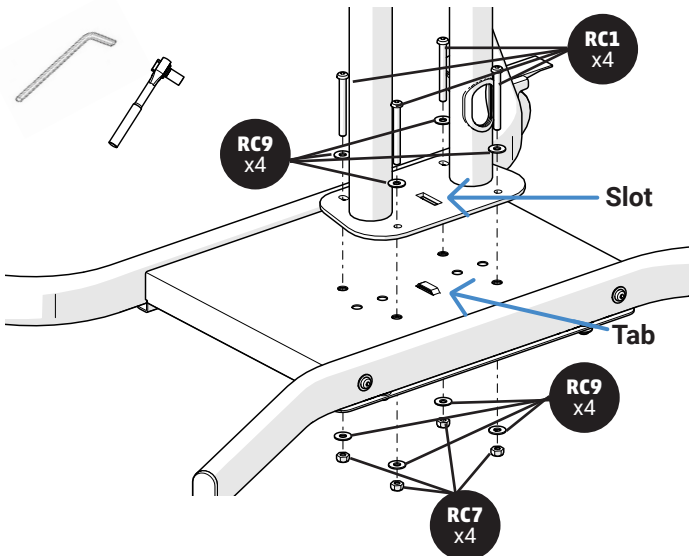
1-4 Install the casters

Thread the caster into the base leg until tight. Repeat for all casters.



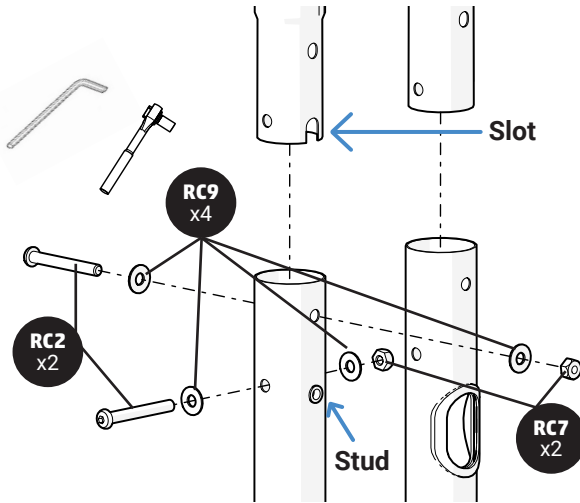
1-5 Attach the lower upright post

Align the tab and slot. Secure in place with screws, washers, and nuts.



1-6 Attach the upper upright post

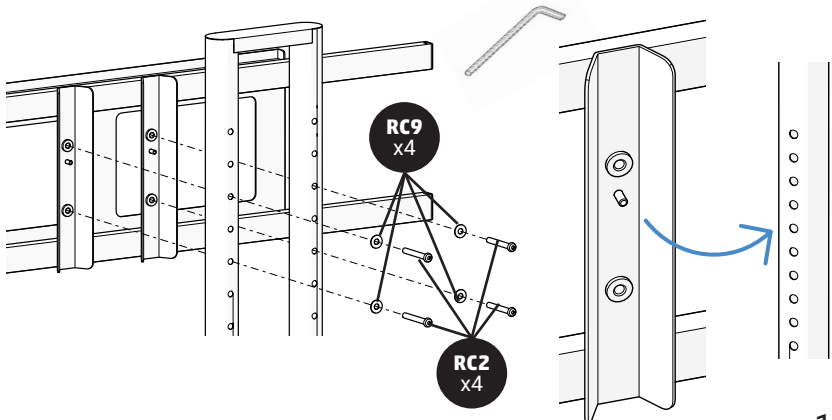
Align the slot with the stud. Repeat the hardware install for the second post.



1-7 Attach the Storm Shell support frame

Choose the assembly holes in the upper upright post that fit your desired installation position.

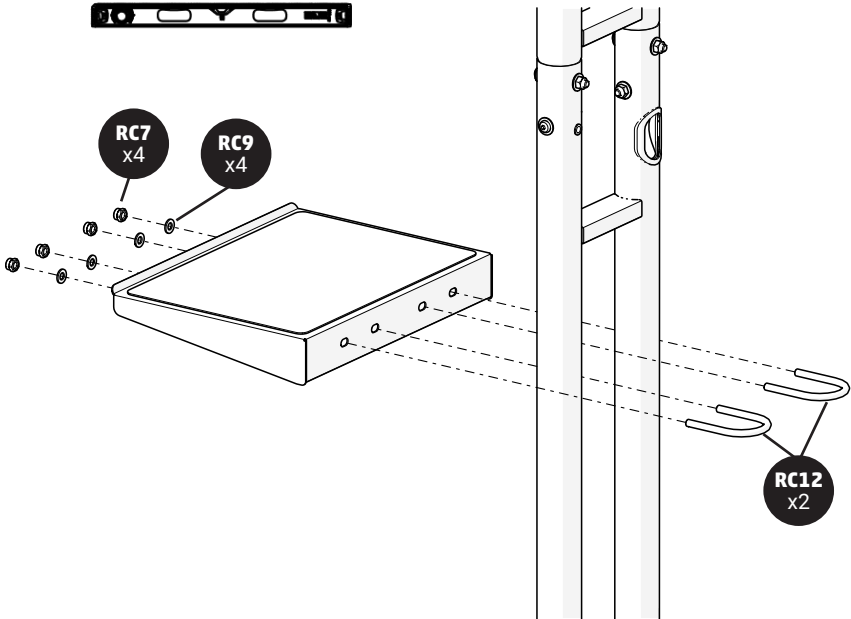
Note: the front of the upper upright post has additional holes to align with the pin in the Storm Shell support frame. If the bolt holes don't align with the bracket, move the frame up or down one hole and try again.



1-8 Attach the equipment shelf

Choose the desired height for your shelf on the lower upright posts. Once selected, secure the shelf in place by tightening the bolts. The shelf can be adjusted to a different position if needed later on.

Note: use a bubble level to level the equipment shelf.



Not using a Storm Shell Outdoor TV Enclosure?
Skip to Step 4 (page 17)

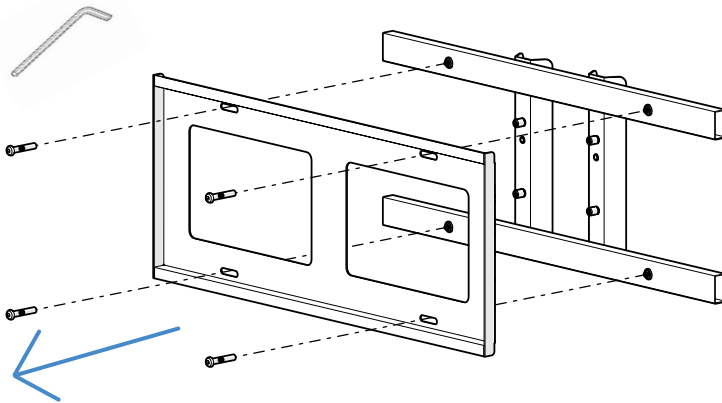
STEP 2: ASSEMBLE STORM SHELL ENCLOSURE

Follow step 1 in your Storm Shell owner's manual to assemble your Storm Shell TV Enclosure (not included with the Storm Shell Outdoor Rolling Cart.)

Note (Step 1-6): You may choose to leave off the cover storage hooks on the Storm Shell hard cover, as they will not be usable with the cart shelf. Additional cover hooks will be installed on the back of the cart in Step 3-3.

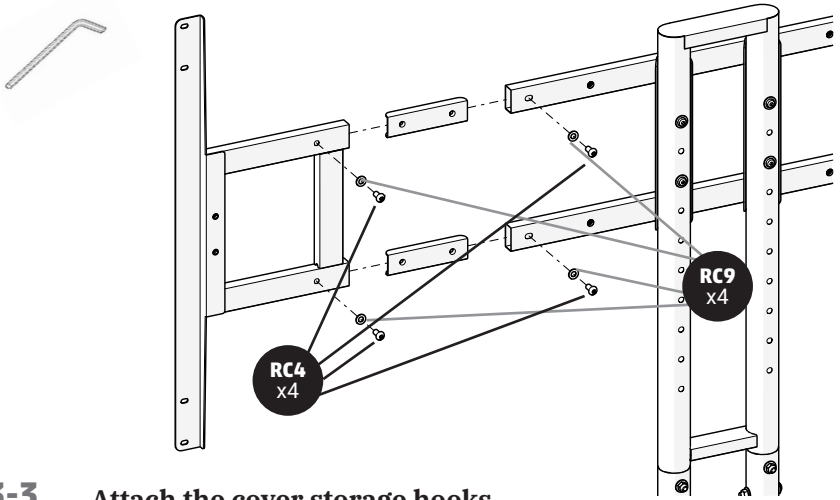
STEP 3: ATTACH STORM SHELL ENCLOSURE

- 3-1 Remove TV bracket from the Storm Shell support frame.**
Remove the TV bracket from the Storm Shell support frame. Discard the hardware.



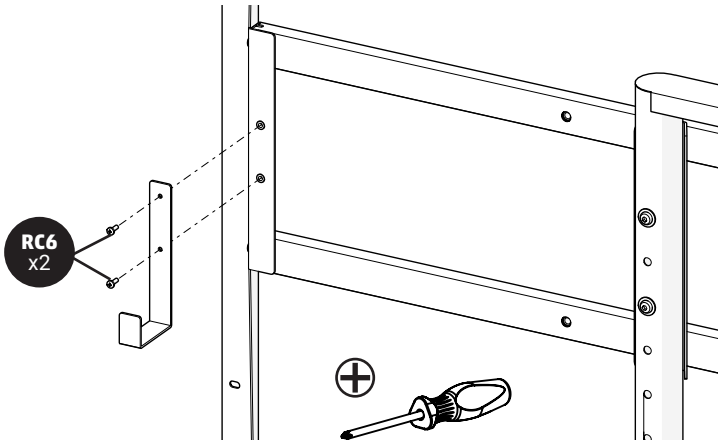
3-2 Attach the Storm Shell side brackets

Use the frame connectors to attach the side bracket to the support frame. Repeat to install the other side bracket.



3-3 Attach the cover storage hooks

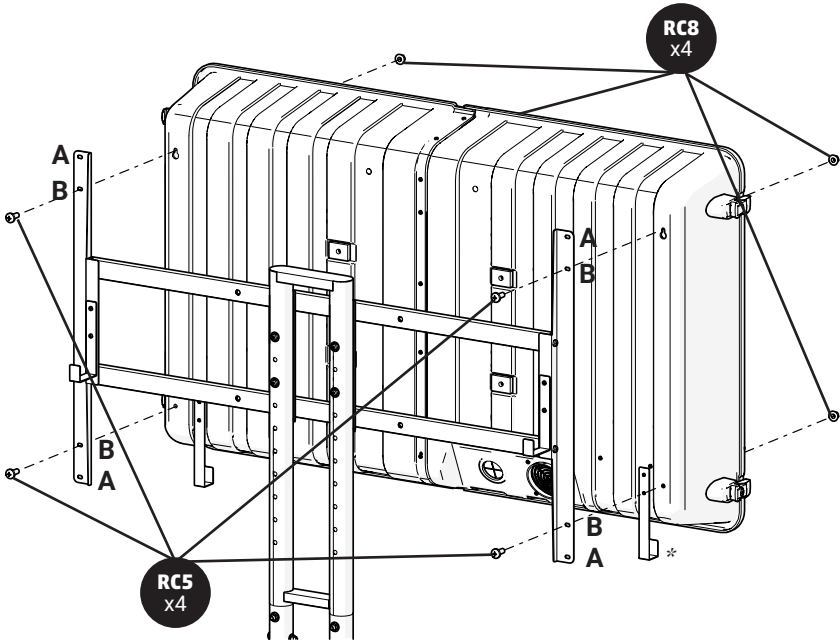
Using a Phillips screwdriver, attach a hook to the side bracket. Repeat to install the other cover storage hook.



3-4 Attach the Storm Shell TV Enclosure

For 65" and 75" Storm Shell TV Enclosures use the outer holes (A) in the Storm Shell side brackets.

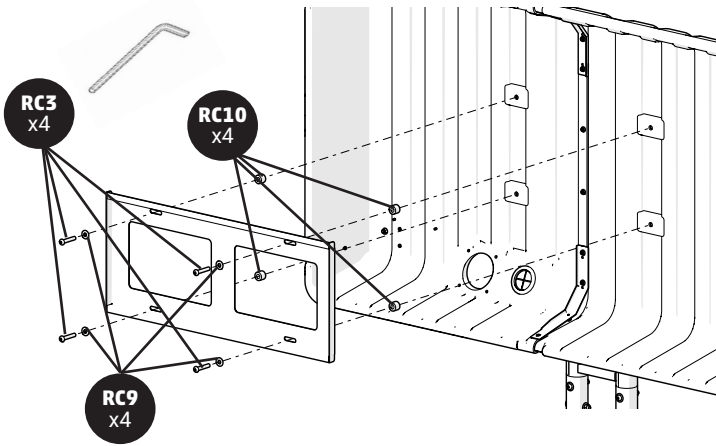
For 55" Storm Shell TV Enclosures use the inner holes (B) in the Storm Shell side brackets.



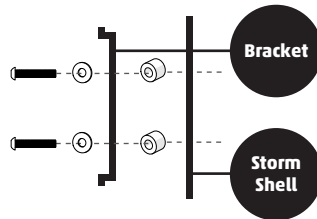
**Note: The cover storage hooks provided with the Storm Shell hard cover may not be usable if the cart shelf is installed in a later step. You may choose to leave them in place or remove them, as additional cover hooks were installed on the cart in Step 3-3.*

3-5 Attach the TV bracket

Only use the TV bracket included with the Storm Shell Rolling Cart. Do not use the TV bracket included with the Storm Shell TV Enclosure.

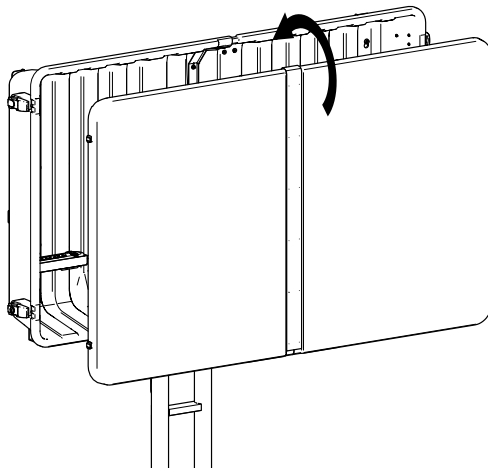


The bracket lip should be facing outward.



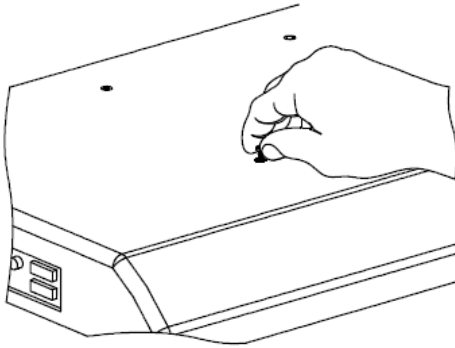
3-6 Install Storm Shell front cover

Check the fit.



STEP 4: ATTACH TV TO MOUNTING BRACKET

4-1 Select screws that will work best with your TV



GOOD FIT



With spacer



Without spacer

BAD FIT



Too long



Too short

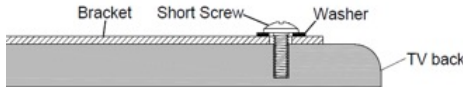


Too small

4-2 Determine if spacers are needed

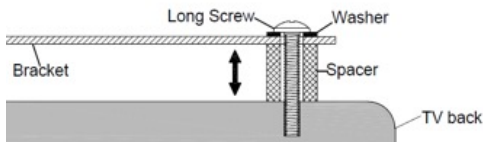
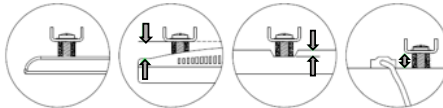
Option 1: Attachment without spacers

Use this attachment method if the TV has a flat back.



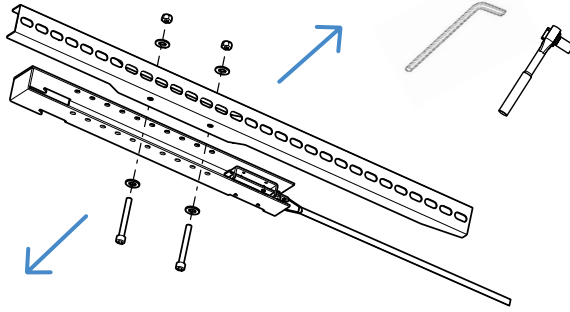
Option 2: Attachment with spacers

Use this attachment method if the TV has an irregular, recessed, or obstructed back.



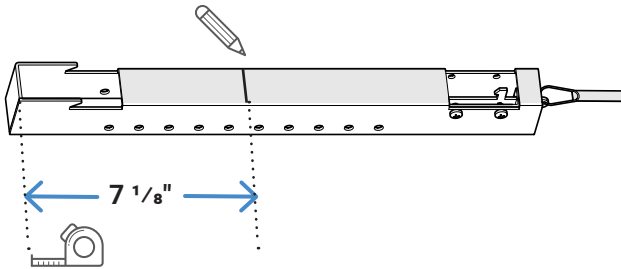
4-3 Separate the vertical TV bracket

Remove the hardware to separate the vertical TV brackets from the hook brackets. Save all hardware for later use.

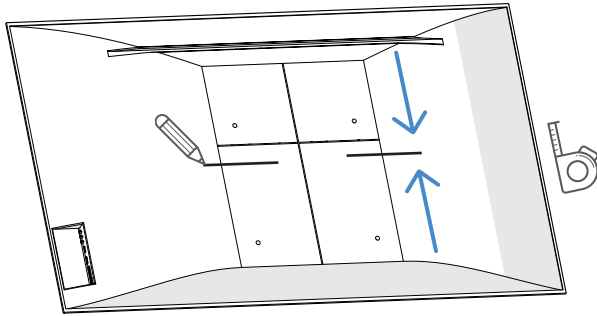


4-4 Measure & mark the hook bracket

Draw a mark on both hook brackets $7 \frac{1}{8}$ inches from the top (hook side).

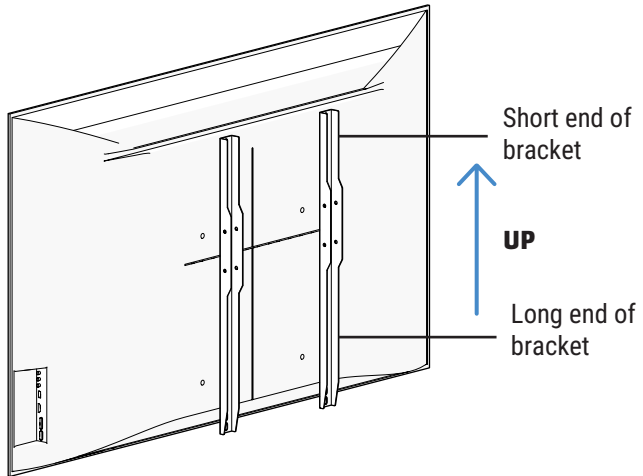


4-5 Measure & mark the vertical center of the TV



4-6 Determine placement of vertical brackets

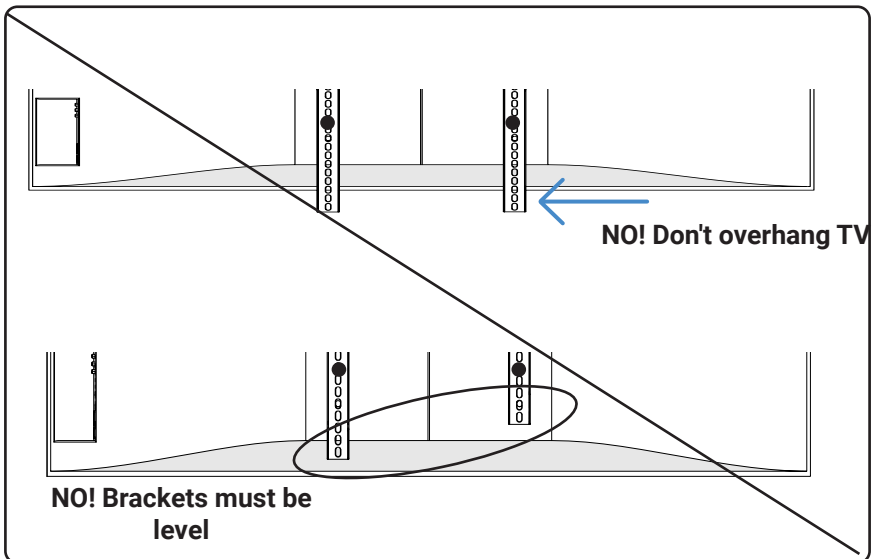
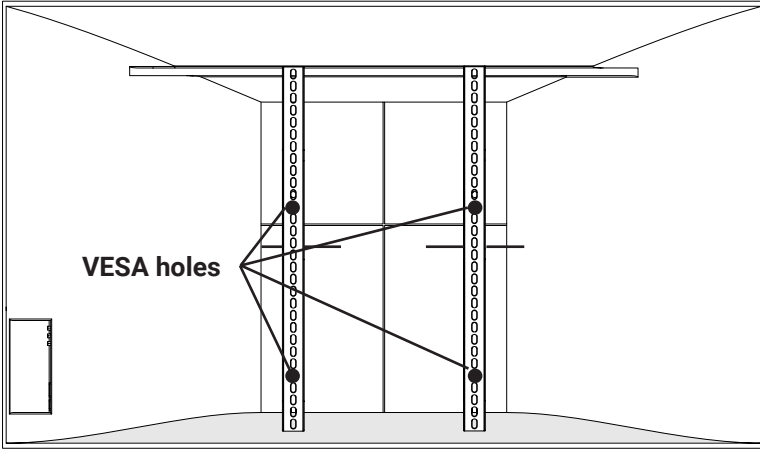
Place vertical brackets over the VESA holes on your TV. The shorter portion of the brackets will need to be facing up.



4-7 Determine placement of vertical brackets

Find a position where the bracket covers the VESA holes.

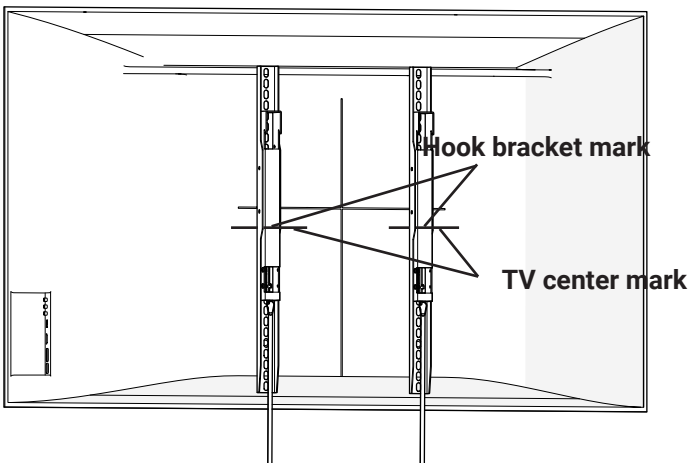
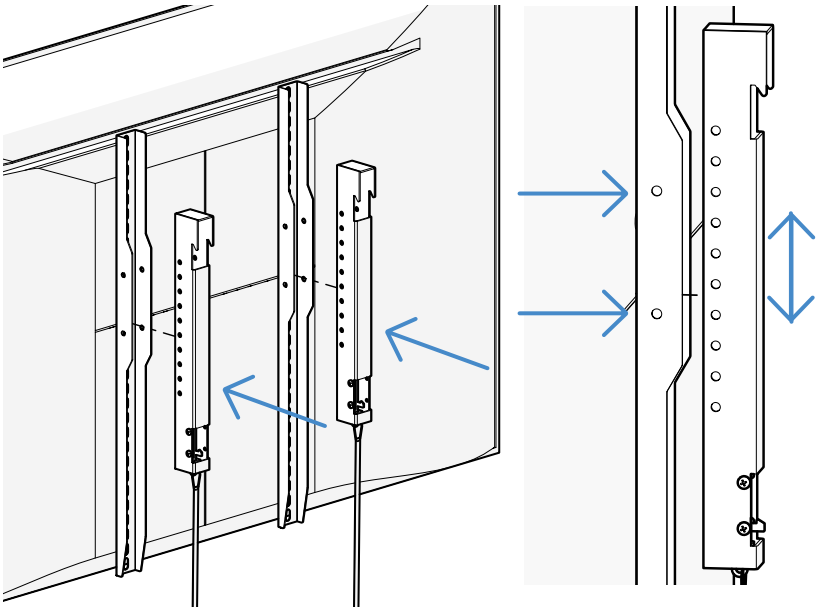
- The two brackets must be level with each other.
- DO NOT overhang the top or bottom of the TV!



4-8 Ensure alignment of vertical brackets and hook brackets

Align the marks drawn on the TV and on the hook bracket.

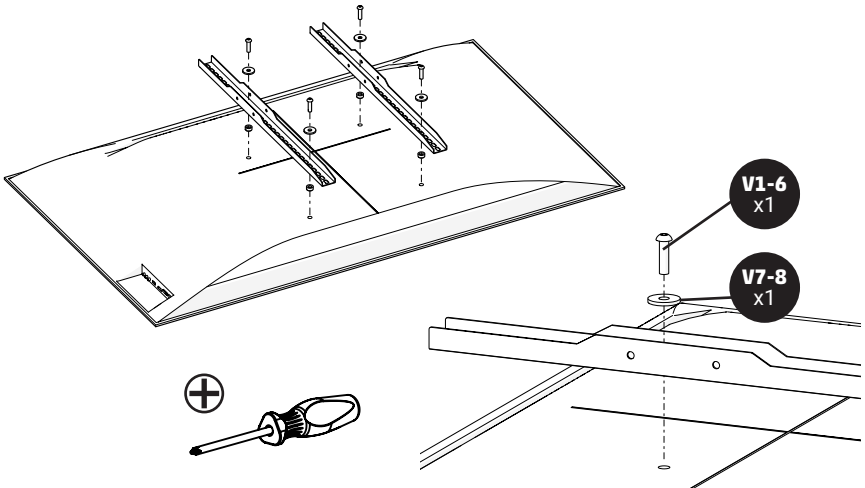
- Make sure you can align the one set of holes in the hook bracket with the two holes in the vertical TV bracket.
- Move the vertical bracket up or down as needed until the holes align.



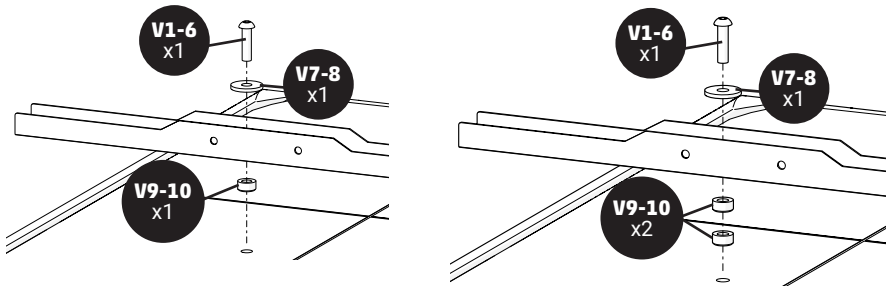
4-9 Attach the vertical brackets to the TV

Now that we have found the alignment of the vertical bracket, it is time to attach it using one of the following methods. Repeat four times to secure to each of the holes.

- **Option 1: Attach without spacers**



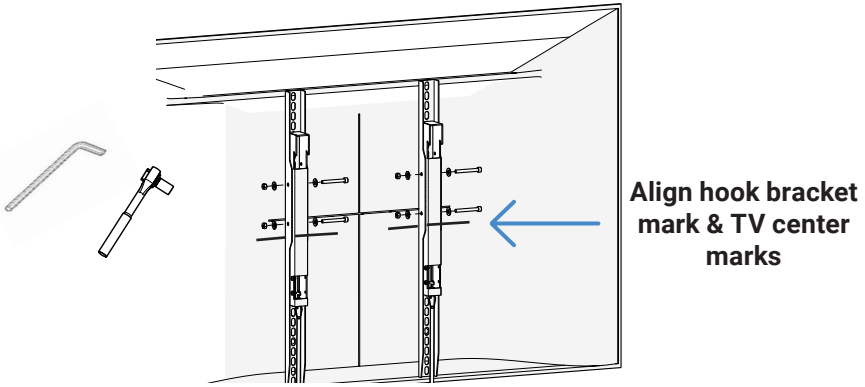
- **Option 2: Attach with spacers**



Each figure lists a range of hardware (ex: V1-6). The hardware kit includes a variety of sizes of screws and spacers since every TV is different. Use the hardware that you selected on page 15 to ensure your TV is properly secured.

4-10 Attach the hook brackets

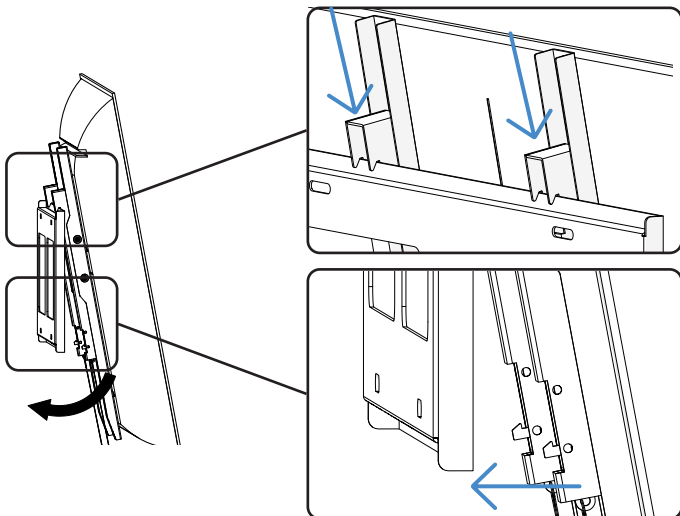
Reuse the hardware you removed in step 4-3. Ensure your marks are aligned. Do not over-tighten.



4-11 Hang and secure the TV to the TV bracket

Holding the TV with the top of the screen tilted toward the mounting plate, slide the upper notches of the right and left brackets over the upper lip of the mounting plate. Then gently lower the TV until the spring loaded latches secure the TV to the lower lip of the wall plate. You will hear a click when the TV locks into place.

Pull both bottom straps to release the latches if you need to remove the TV.

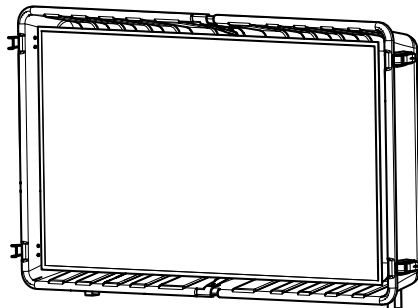


Not using a Storm Shell Outdoor TV Enclosure?

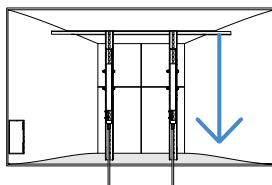
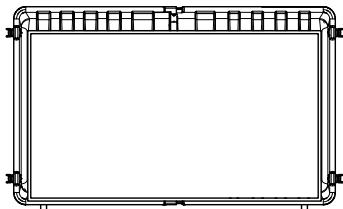
Your cart assembly is complete!

4-12 Check the fit

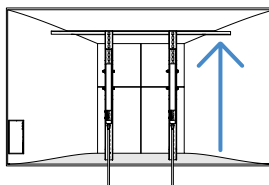
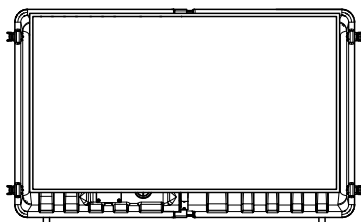
Your TV should be in the center of your Storm Shell. Adjust vertical bracket position if necessary:



- **TV sits low in the Storm Shell Enclosure:**
adjust hook brackets down and re-hang.

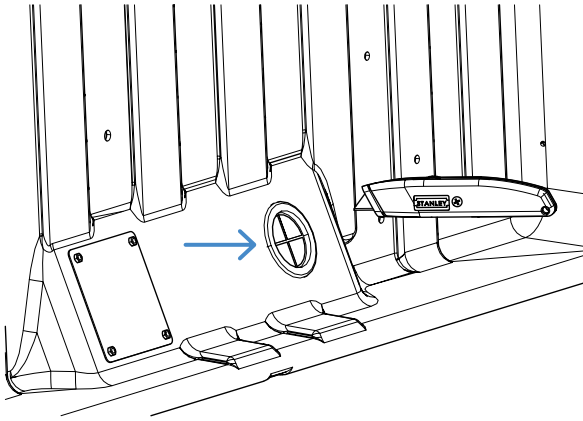


- **If TV sits high in the Storm Shell Enclosure:**
adjust the hook brackets up and re-hang.

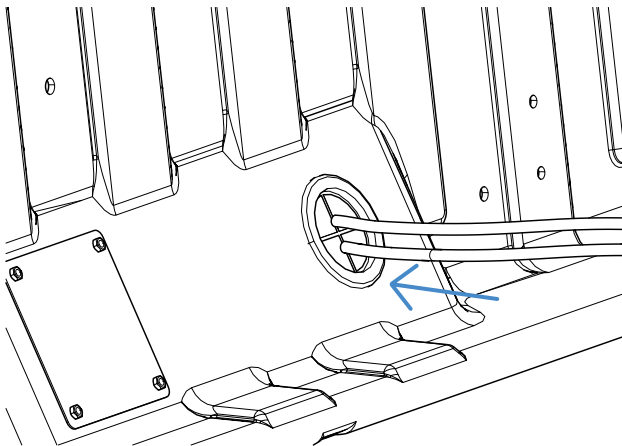


4-13 Cut cable grommet along the x pattern.

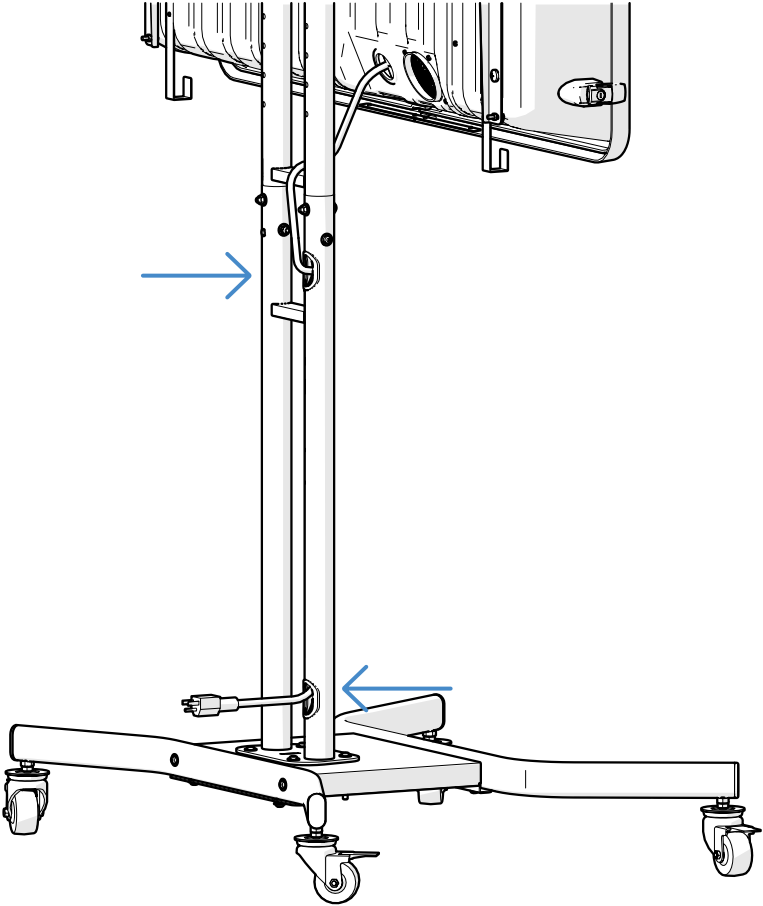
Using a box cutter, follow the X pattern along the grommet. This will allow you to push the cords through.



4-14 Route the power strip cord through the grommet.



4-15 Route cords through the upright post.





Need help?

435-752-6611

cs@stormshelltv.com

stormshelltv.com