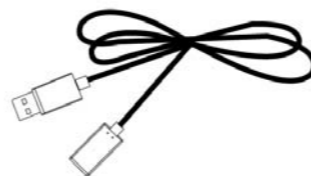


CAUTION:

- Do not disassemble any of the components. Refer all servicing to qualified personnel only.
- Do not place or store the product in a humid area, and do not expose it to water or rain.
- Use the product only as instructed. Read all instructions before operating the product.
- Failure to follow these directions may void the warranty.
- Use this product for Xbox® 360™ Kinect™ only
- Don't lean on or put additional weight on the tripod stand.

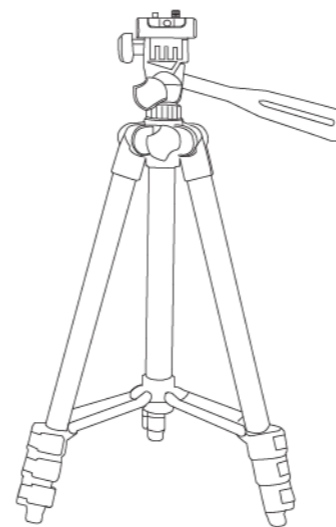
Package contents:



Kinect USB extension cable



Kinect base



Mini Kinect tripod

Required tools:

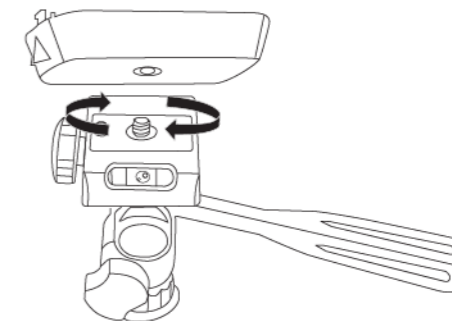
- Phillips screwdriver

Features

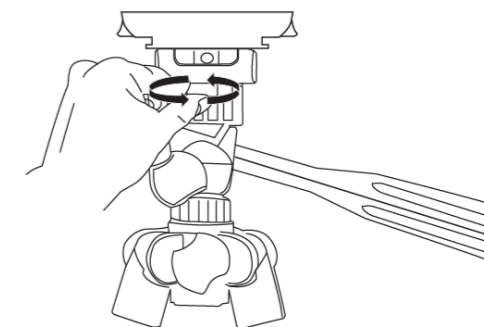
- Compatible with Xbox® 360™ Kinect™
- Kinect USB extension cable increases Kinect placement range
- Mini Kinect tripod for flexible placement of the Kinect in your playing space
- Kinect base attaches to the Mini Kinect tripod

Setting up your tripod

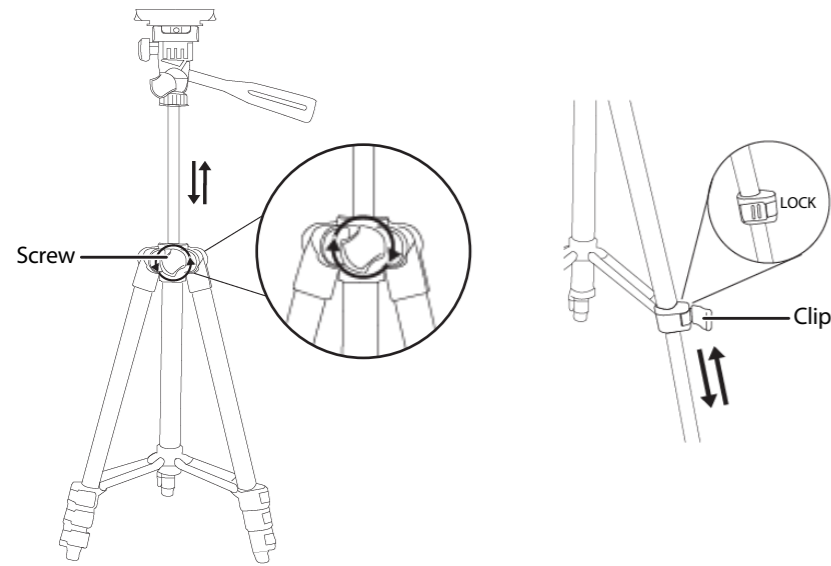
- 1** Screw the Kinect base onto the top of the tripod.



- 2** Adjust the screw beneath the tripod head to secure the Kinect base.

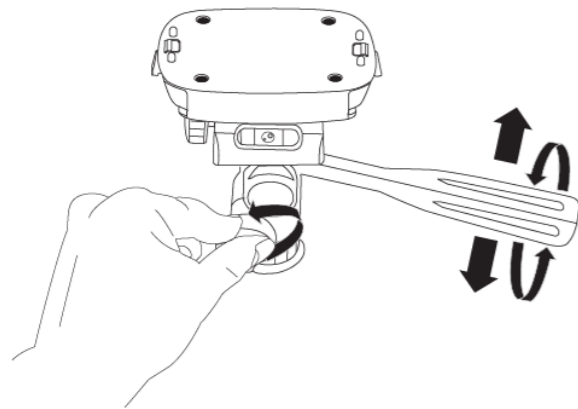


3 To adjust the tripod height, adjust the screw in the middle of the tripod to extend the main post or open the clips to extend the tripod legs. Close the leg clips once you have extended the legs to the desired length.

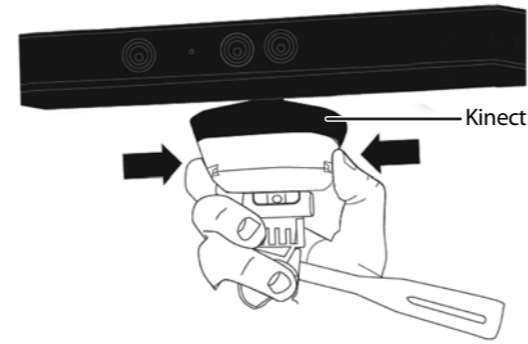


Note: Make sure the clip or screw is secure after adjustment.

4 Turn the side screw to loosen the handle, then use this handle to level the Kinect base.



5 Push in the side clips and place the Kinect on the Kinect base. Then release the side clips to lock the Kinect to the Kinect base.

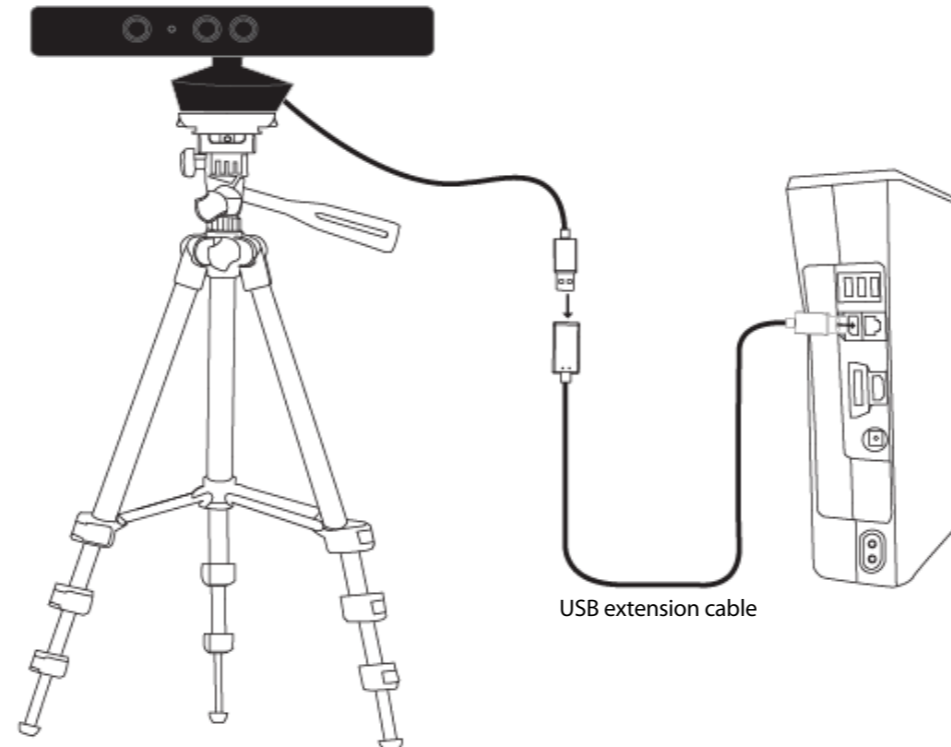


Caution: Make sure the Kinect is locked securely into place after you move the tripod to its final location.

6 See your Kinect manual for information on the best working range and location for the Kinect.

Using the Kinect extension cable

- Connect the extension cable to the Kinect cable and to the Xbox® 360™ console.



Important safety instructions

- Make sure that all levers, handles, knobs, and leg locks are correctly tightened, and that all three legs are fully opened before use.
- Do not carry or transport the tripod with camera equipment attached (for example: over your shoulder or cradled in your arms)
- Do not store or expose your tripod to excessive heat or cold, or use near any flame or fire.
- Do not OIL or GREASE any part of the tripod.
- Do not use any solvents or thinners to clean your tripod. Use only a mild detergent and wipe dry with a soft, lint-free cloth only.
- Do not exceed the load limit of this product.

90-day warranty

Visit www.rocketfishproducts.com for details

Distributed by Best Buy Purchasing, LLC

7601 Penn Avenue South, Richfield, MN 55423-3645 USA

© 2011 BBY Solutions, Inc., All Rights Reserved. ROCKETFISH is a trademark of BBY Solutions, Inc. All other products and brand names are trademarks of their respective owners.