



ANVIL BACKPACKS

PROFESSIONAL





PROFESSIONAL ANVIL BACKPACKS

Introducing Tamrac's Professional Series: humble camera bags built for photographers. Combining modern, lightweight and rugged materials the Anvil™ backpacks comfortably carry a wide variety of camera bodies, lenses and accessories, plus laptops and personal gear. Available in a range of six sizes, there is an Anvil to carry everything from compact DSLRs, mirror-less camera systems, and multiple pro-sized DSLRs plus lenses and accessories.





ANVIL 17

Medium sized backpack carries pro-sized DSLRs with lenses attached and accessories.



ANVIL SLIM 11

Slim design for compact DSLRs and Mirrorless Camera Systems carries multiple bodies with attached lenses and accessories.



ANVIL 23

Large pack designed to carry multiple pro-sized DSLRs with attached lenses and accessories.



ANVIL SLIM 15

Slim design for compact DSLRs and Mirrorless Camera Systems carries multiple bodies with attached lenses and accessories.



ANVIL 27

Extra-large pack holds multiple pro-sized DSLR with lenses attached and accessories.



ANVIL SUPER 25

Purpose built to carry a pro-sized DSLR attached to a telephoto lens up to 600mm.

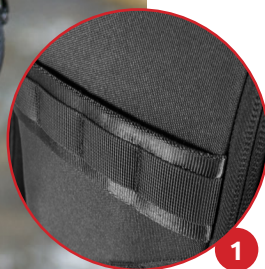


KEY EXTERNAL FEATURES

SIDE M.O.L.L.E. ATTACHMENT POINTS **1**

SUBTLE BRANDING **2**

SIDE COMPRESSION STRAPS*
DURABLE ACETAL HARDWARE **3**





4 COMFORT GRIP TOP HANDLE

5 QUICK-RELEASE TRIPOD ATTACHMENT SYSTEM WITH REMOVABLE STRAPS

6 *FRONT BUTTERFLY ACCESSORY POCKETS FORM FITTED RAIN COVER INCLUDED



4



5



6

*NOT AVAILABLE IN ANVIL SUPER 25





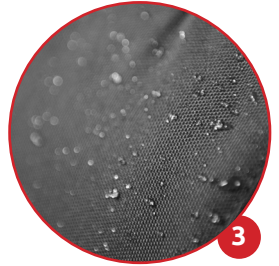
KEY EXTERNAL FEATURES



PADDLED LAPTOP COMPARTMENT* **1**

EASY-TO-USE ZIPPER PULLS
HIGH QUALITY YKK® ZIPPERS **2**

600D W/PU BACKING
NO PVC COATINGS OR MATERIALS **3**





4 SHOULDER STRAP D-RINGS

5 AIRFLOW HARNESS PAD
OPTIMIZED COMFORT FOAMS

6 REMOVABLE M.O.L.L.E. COMPATIBLE BELT SYSTEM



*NOT AVAILABLE IN ANVIL SUPER 25





KEY INTERNAL FEATURES



FULLY CUSTOMIZABLE INTERIOR DIVIDERS
OPTIMIZED PROTECTIVE FOAMS

1

CLEAR TPU STORAGE POCKETS*

2

PROTECTIVE INTERIOR ZIPPER GARAGES

3



1



2



3





"From the beginning, we've always been about creating better carry solutions for our passions. Designed for the professional in every photographer, the Anvil is the first of many new bags that marry Tamrac's legacy of innovations with modern materials and design."

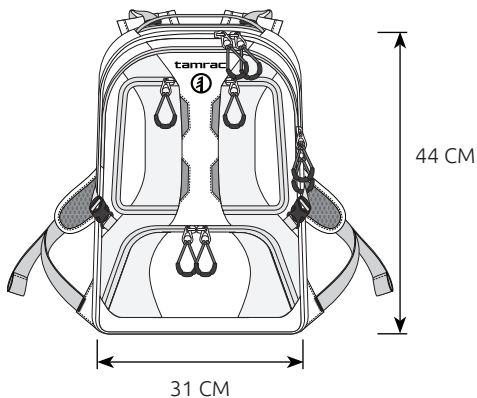
- Gregory Schern, President

*NOT AVAILABLE IN ANVIL SUPER 25





SPECIFICATIONS



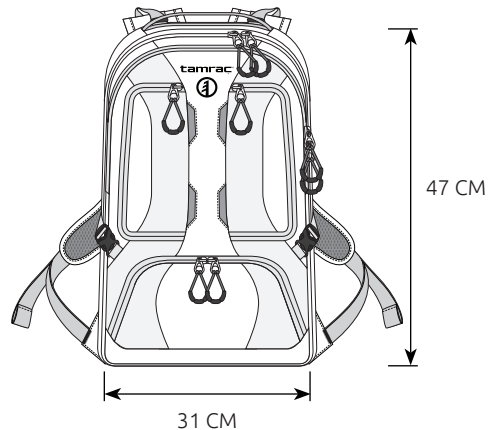
ANVIL 17

EXTERNAL
31X44X25 CM

INTERNAL
28X41X16 CM

WEIGHT
2.0 KG

VOLUME
17 LITERS



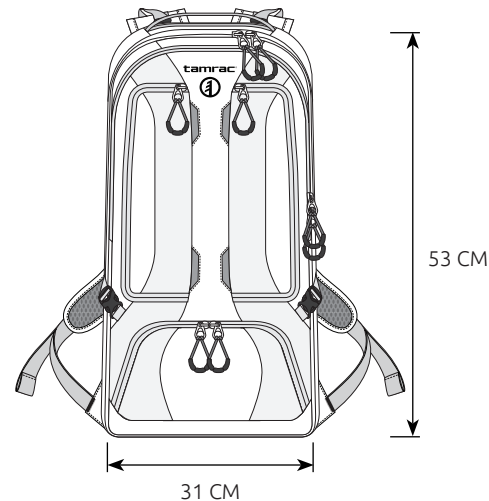
ANVIL 23

EXTERNAL
31X47X25 CM

INTERNAL
28X44X16 CM

WEIGHT
2.1 KG

VOLUME
23 LITERS



ANVIL 27

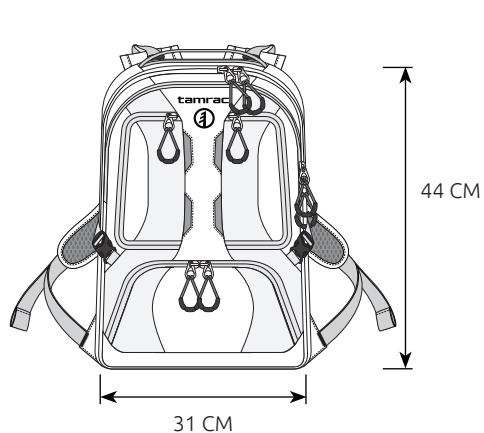
EXTERNAL
31X53X25 CM

INTERNAL
28X50X16 CM

WEIGHT
2.2 KG

VOLUME
27 LITERS





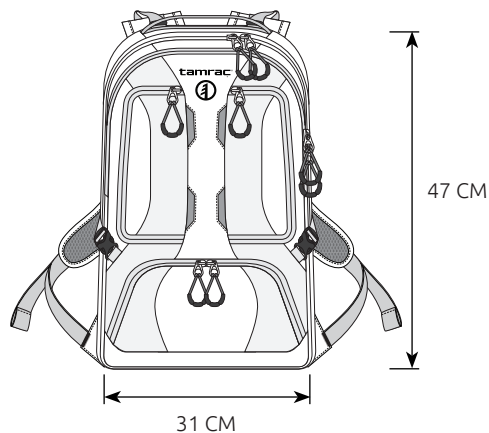
ANVIL SLIM 11

EXTERNAL
31X44X21 CM

INTERNAL
28X41X12 CM

WEIGHT
1.9 KG

VOLUME
11 LITERS



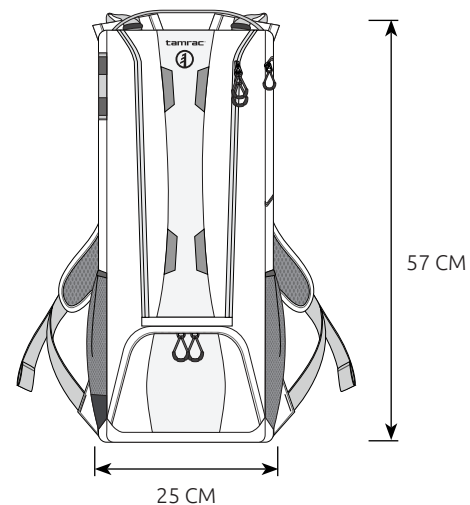
ANVIL SLIM 15

EXTERNAL
31X47X21 CM

INTERNAL
28X44X12 CM

WEIGHT
2.1 KG

VOLUME
15 LITERS



ANVIL SUPER 25

EXTERNAL
25X57X27 CM

INTERNAL
22X54X24 CM

WEIGHT
2.0 KG

VOLUME
25 LITERS





DESIGNED IN OGDEN, UTAH USA

Made in Vietnam

PROFESSIONAL

GuraGear LLC / 2036 Lincoln Ave, Suite 104, Ogden, Utah 84401 / +1 (801) 823-2809 / info@tamrac.com

YKK® is a registered trademark of the YKK Group. Duraflex® is a registered trademark of the Duraflex Group.
Anvil™ is a trademark of GuraGear LLC. Tamrac® is a registered trademark of GuraGear LLC.

