

WARMING DRAWER

RVEWD330 – 30" WIDE



Features and Functions

- Temperature settings from 90 to 250 degrees F accommodate all types of food
- Low setting is ideal for plate warming or bread proofing
- High setting keeps soups and sauces piping hot
- 1.6 cubic ft. drawer capacity
 - 20 1/2" wide
 - 6" high
 - 22 3/4" deep
 - Entire drawer is easily removable for cleaning
- Shipped with two removable stainless steel low racks and removable stainless steel moisture cup
 - Low racks cover entire bottom of pan for the largest loads or remove one section for half coverage
 - Moisture cup holds water to increase interior humidity
- Powerful 450-watt heating element
- Power "on" indicator light cycles on and off with heating element
- Stainless steel roller-bearing glides for smooth drawer operation



30" Wide Warming Drawer

Finishes

- Available in Stainless Steel (SS), Black (BK), and White (WH)



Warranty Highlights

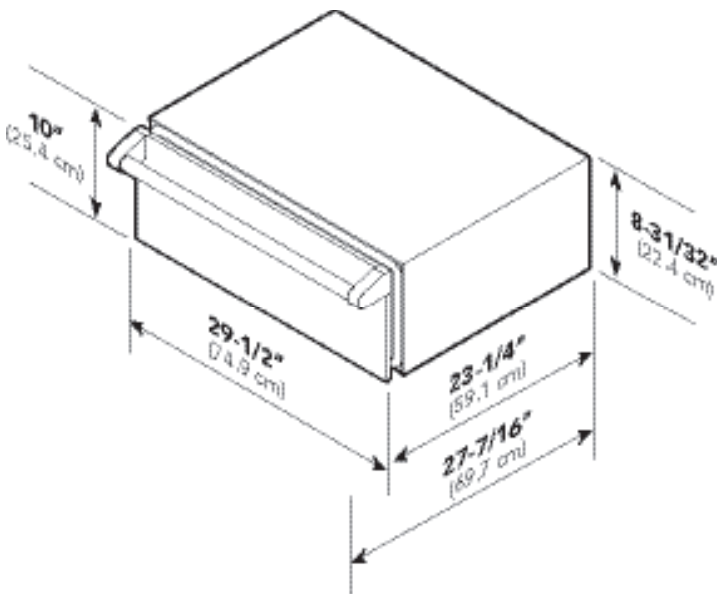
- One-year full – complete product
- Ninety-day full – cosmetic parts such as glass, painted items, and decorative items
- Five-year limited – heating elements

WARMING DRAWER

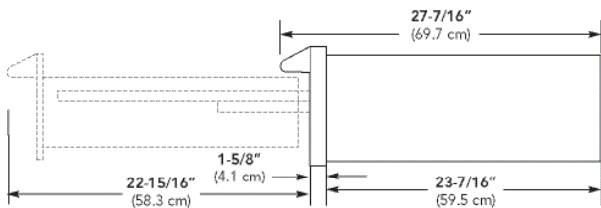
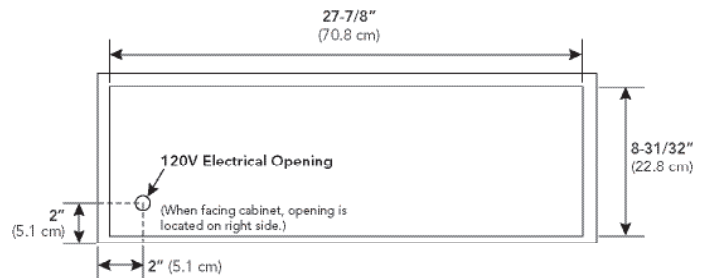
RVEWD330 – 30" WIDE



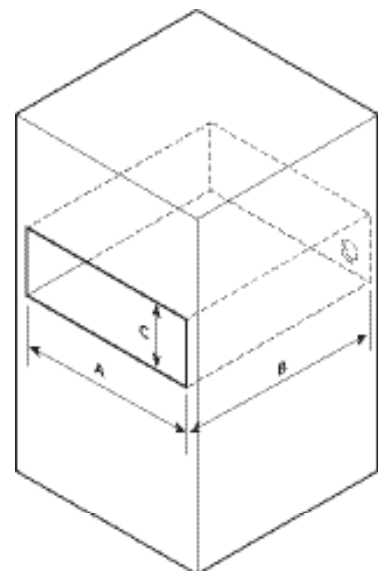
DESCRIPTION	30" WIDE WARMING DRAWER	
	RVEWD330	
Overall Width	29 1/2" (74.9 cm)	
Overall Height	10" (25.4 cm)	
Overall Depth from Rear	To front edge of trim – 23 1/4" (59.1 cm) To front edge of handle – 27 7/16" (68.7 cm) With door open – 48" (121.9 cm)	
Cutout Width	28 1/4" (71.8 cm)	
Cutout Height	9 1/4" (23.5 cm)	
Cutout Depth	23 1/2" (59.7 cm)	
Electrical Requirements	120VAC/60Hz – hard wire direct with separate 15-amp minimum 2-wire with ground circuit	
Maximum Amp Usage	3.8 amps – 450 watts	
Interior Dimensions	Width – 20 1/2" (52.1 cm) Height – 6" (15.2 cm) Depth – 22 3/4" (57.8 cm) Overall Size – 1.6 cu. ft.	
Approximate Shipping Weight	90 lb. (40.5 kg)	



REAR VIEW



CUTOUT DIMENSIONS	
A	28 1/4" (71.8 cm)
B	23 1/2" (59.7 cm)
C	9 1/4" (23.5 cm)



VIKING RANGE, LLC 111 FRONT STREET GREENWOOD, MISSISSIPPI 38930 USA

For detailed product information, model numbers, or to request a quote call 1-888-845-4641 or visit vikingrange.com
© 2013 Viking Range, LLC | Specifications subject to change without notice.