

Prepare Your System for the GeForce RTX® 4080 (16GB) Founders Edition

Graphics card specifications vary by add-in-card manufacturer. Please refer to manufacturer specifications for add-in-card models.

The following steps require some knowledge of PC component specifications, in addition to physical installation.

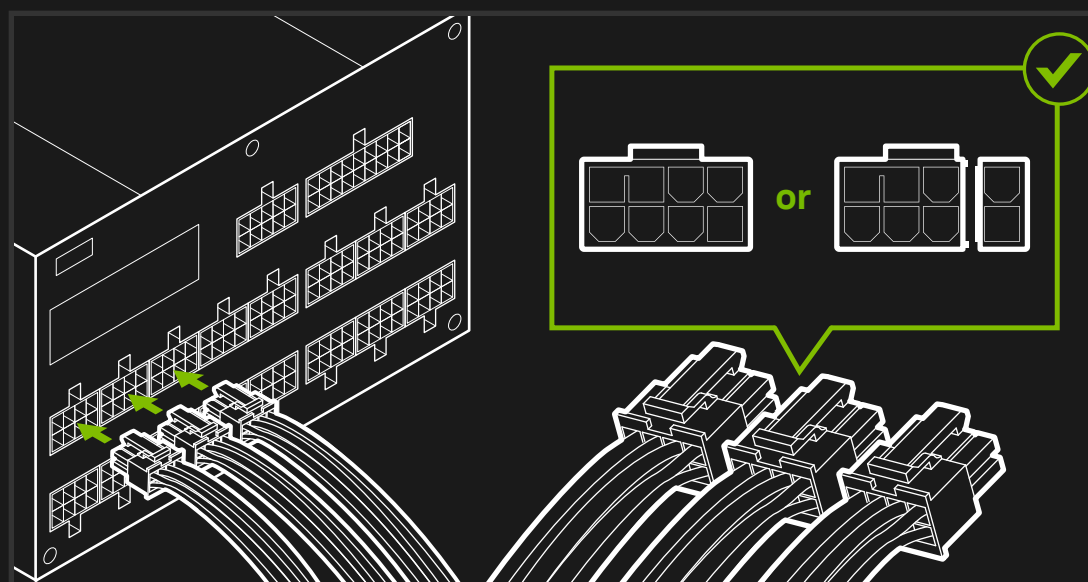
1. Check Your Power Supply



750W Minimum

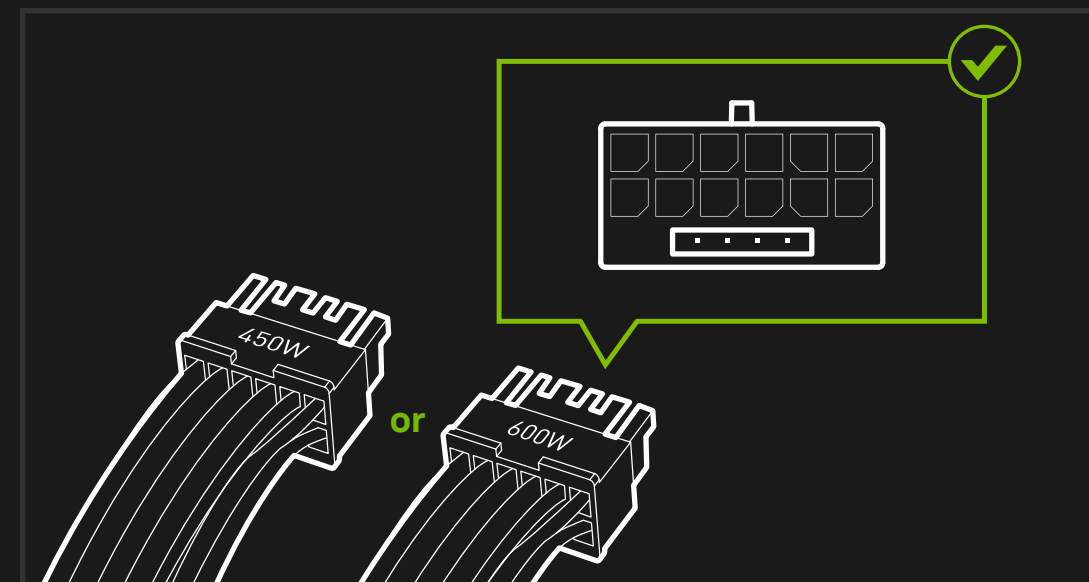
A higher power rating may be required depending on your system configuration.

Please check with your PSU vendor.



Power Compatibility Option 1.

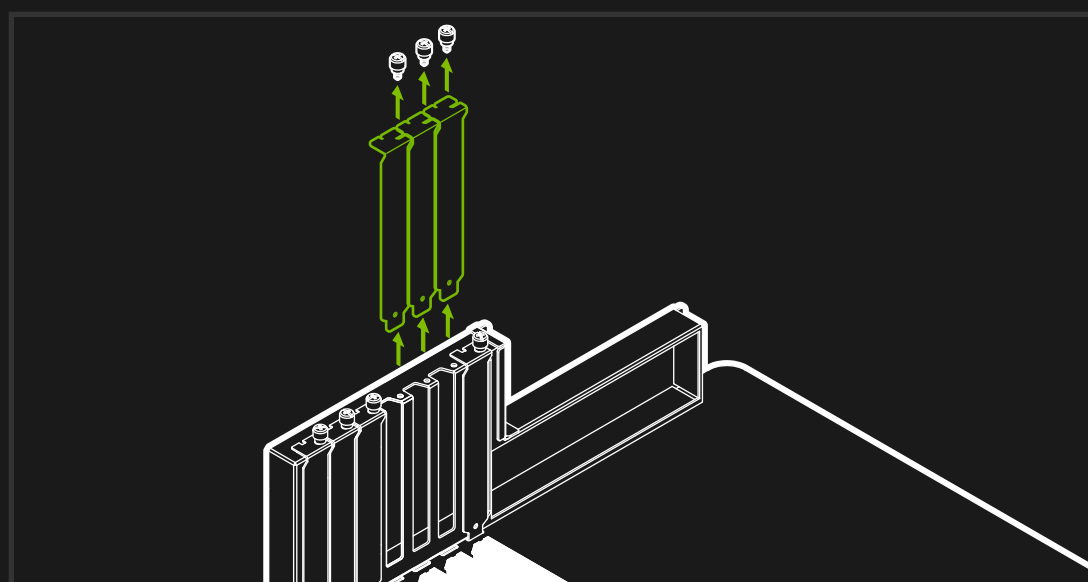
3x PCIe 8-pin cables from power supply to included RTX 4080 (16GB) Power Connector Adapter.



Power Compatibility Option 2.

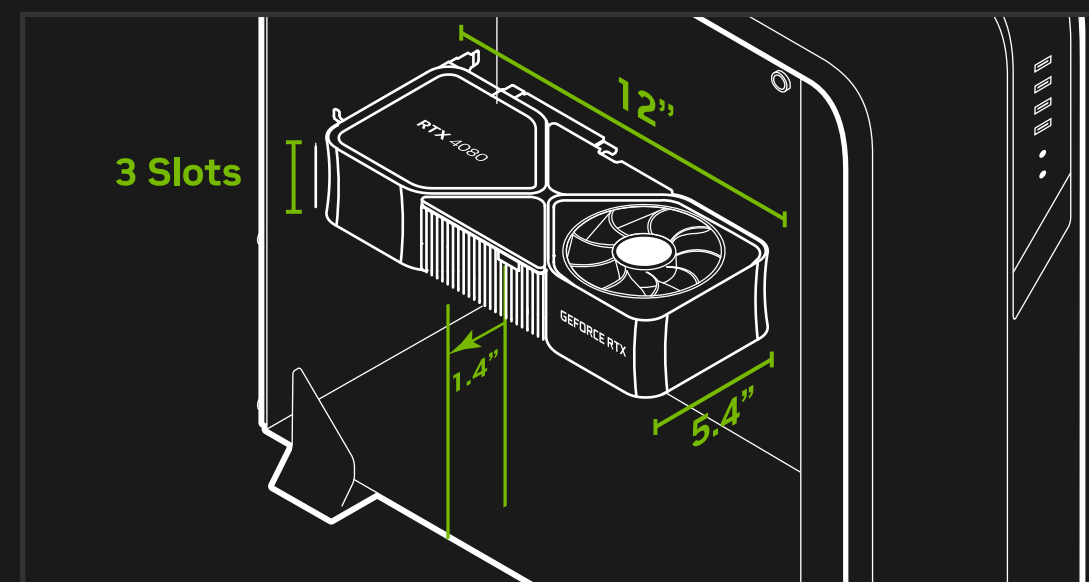
1x 450W or greater PCIe Gen 5 power cable from power supply.

2. Check Your Case



Three unused expansion slots.

Reserving clearance around the graphics card equivalent to an unused expansion slot will typically improve airflow.



Clearance: Must have space for 12" (304mm) x 5.4" (138mm) x 3-slot card (61mm). Plan 1.4" (36mm) additional space for power cables.