

Ihome Adore

ASSEMBLY INSTRUCTIONS

STYLE#:: EG-24-302

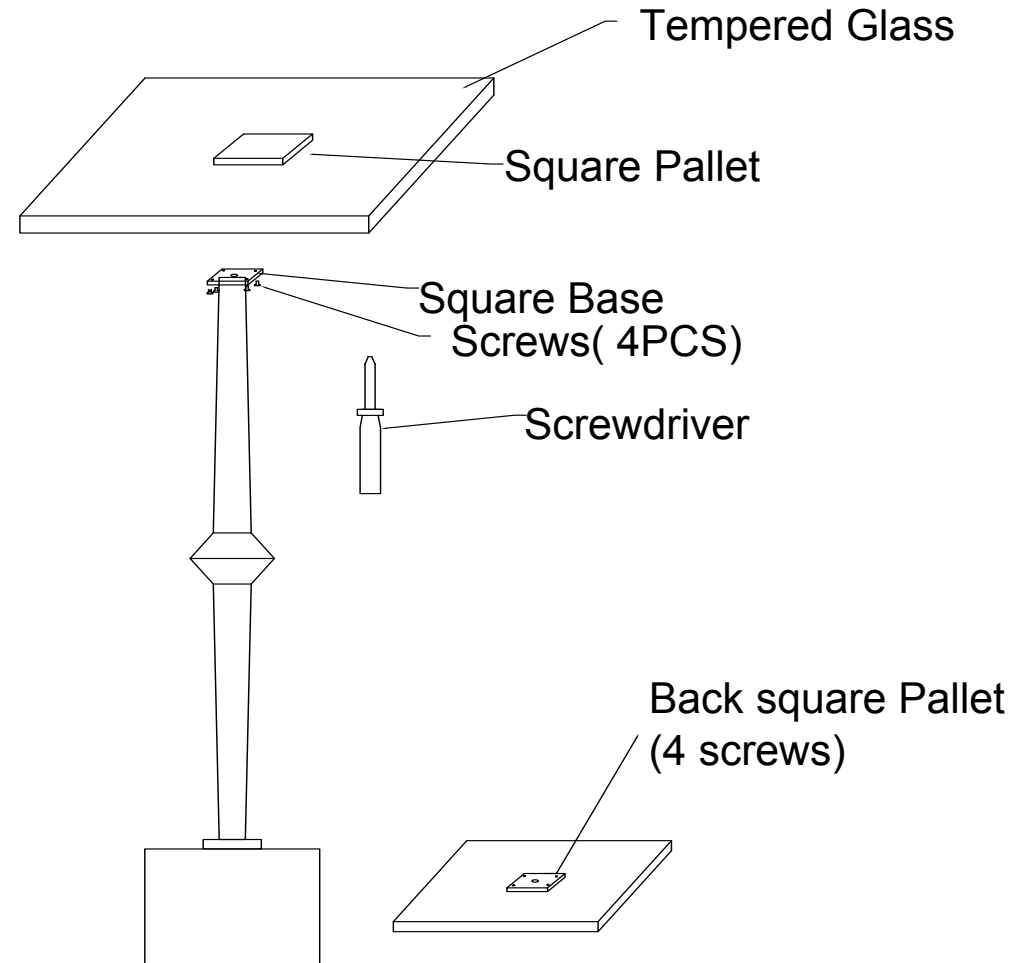
Parts:

- 1 PC Base
- 4 PC Screws
- 1 PC Screwdriver
- 1 PC Tempered Glass w/square pallet

1. Carefully unpack carton and place all parts on soft, smooth surface. Inventory all parts.

2. Remove the 4 screws from back of the square pallet with screwdriver.

3. Align the square pallet of tempered glass onto square base, carefully tighten 4 screws with screwdriver.



9667 Owensmouth Ave suite 100| Chatsworth, CA | 91311