

Job Name:	
Submitted By:	



Submittal Sheet For: UB036GMSILDFHG / YN036GMSI20RUG

Date _____
 Ref. _____

Floor-Ceiling Mount Ductless 20SEER Inverter Heat Pump

System Full Set Model: **UYB036GMSI20RL**

AHRI Reference Number: **218010995**

Cooling Mode Performance

Rated Cooling	36,000 BTU/hr
Ambient Range	5~131°F
SEER2 Rating	20.0 BTU/W·h
EER2 Rating	10.1 BTU/W·h

* 100% Capacity @ Indoor DB 80°F / WB 67°F

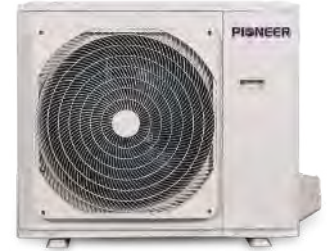
Heating Mode Performance

Rated Heating	38,000 BTU/hr
Ambient Range	-13~86°F
HSPF2 IV (V)	10.0 (7.7) BTU/W·h
COP2 (47°F)	3.34 W/W

Heating (17°F) = 26,400 BTU / Heating (5°F) = 26,000 BTU / COP2 (5°F) = 2.17 W/W



Floor-Ceiling Mount Indoor Unit



Outdoor Condensing Unit



User-Selected Installation Kit



Handheld Remote Controller

Electrical Information

	Cooling	Heating
Rated Input (W)	3,530	3,250
Rated Current (A)	15.3	14.3
Breaker Needed	40A (Double-Pole)	
Power Supply	208~230V, 60Hz, 1Ph	

Piping and Refrigerant

Liquid Line (OD)	3/8 in
Suction Line (OD)	3/4 in
Refrigerant Precharge	R-454b(Supports 10-50 ft.)
Max Length/Height Diff.	250 ft. / 100 ft.

This combination is AHRI/ETL/ISO certified.



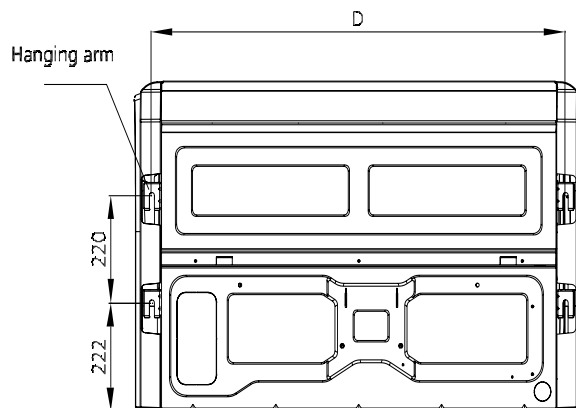
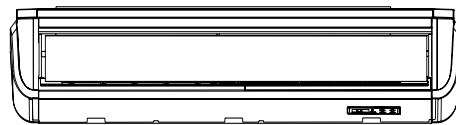
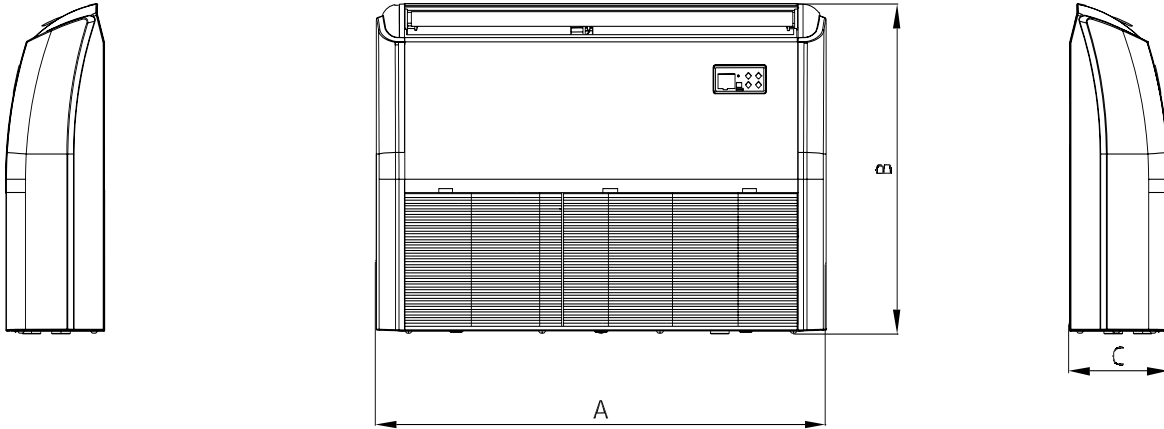
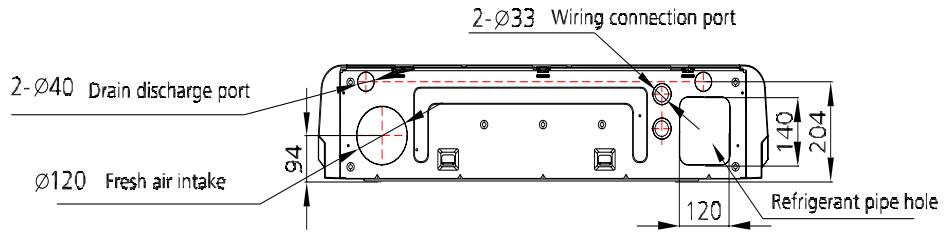
Interior Unit (Air Handler) Specifications

Type	Heat Pump
Sound Level (dBA)	50 (Turbo)/49 (Hi)/44 (Med)/37 (Lo)/33 (Mute)
Auto Air Circulation	Upright (Floor) / Horizontal (Ceiling)
Dimensions (WDH)	65 in x 26-5/8 in x 9-1/4 in
Weight (lbs)	89

Exterior Unit (Condenser) Specifications

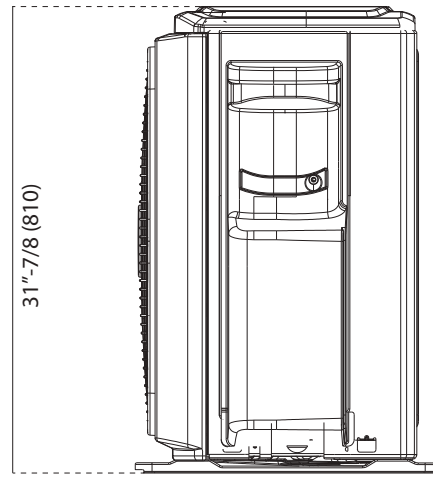
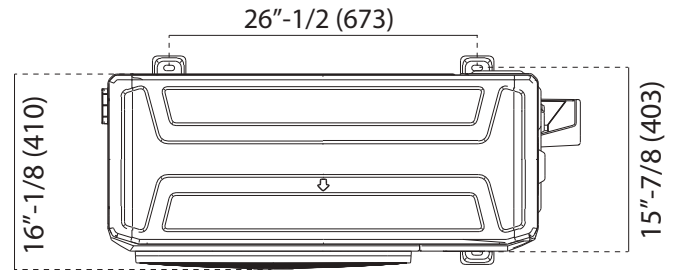
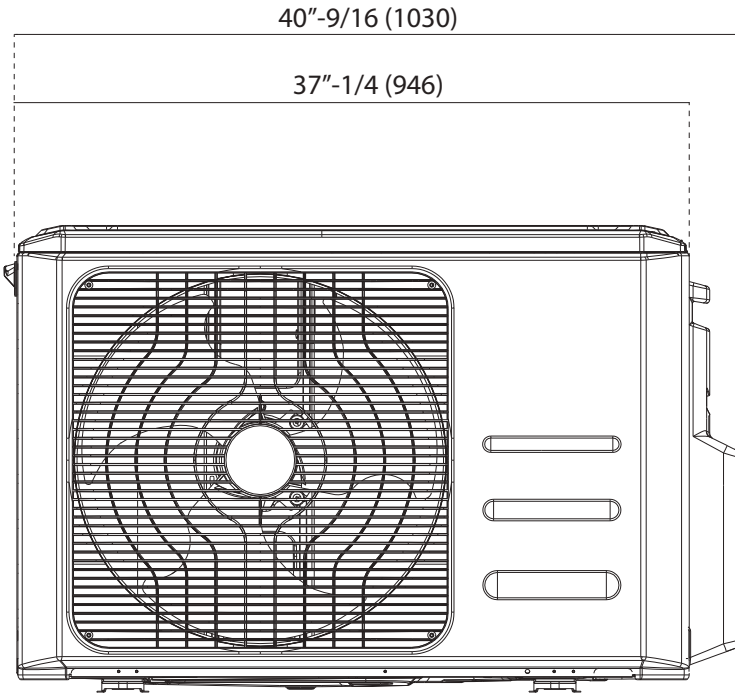
Sound Level (dBA)	63
Recommended Room Size	1,000~1,400 Sq. ft.
Minimum Room Size	104 (Ceiling Suspended)/500 (Floor/Low Wall)
Compressor	Inverter-Driven Rotary
Dimensions (WDH)	37-1/4 in x 16-1/4 in x 31-7/8 in
Weight (lbs)	152.4

UB036GMSILDFHG Air Handler Dimensional Data



Model (KBtu/h)	Unit	A	B	C	D
36-48	mm	1650	675	235	1565
	inch	64.96	26.57	9.25	61.61

All dimensions are in Inches (mm)



Warranty Information and Length



Complete warranty details are available with the vendor or online at <https://www.pdhvac.com/support/warranty/>. This high quality system is eligible for up to 10 years limited warranty on the compressor, and 7 years on other internal parts. To qualify for this warranty, the system must be installed within 90 days by a registered technician. All other installations that are registered default to 5 years parts/compressor. Products unregistered qualify for only 1 year parts/compressor warranty.

Outstanding Features

- LED Display
- Energy Saving
- Ultra-Thin Design
- Dual Drain Options
- Customizable Timer
- Eco-Friendly Refrigerant
- Whisper-Quiet Operation
- Power Loss Memory Recovery



Available Accessories

Part Number	Description
IKT-LCVR4P-KIT	Decorative PVC Line Cover Kit
IKT-LNBR-1/4-3/8	BendAid Flexible Easy Bender Kit
BRK-FRM-C-2P	Folding Mounting Bracket w/ Leveler
IKT-UVL32UL-AG	UVC Bacterial Disinfection Kit
IKT-SURPRK-DV2	Ultimate Surge and Power Protection