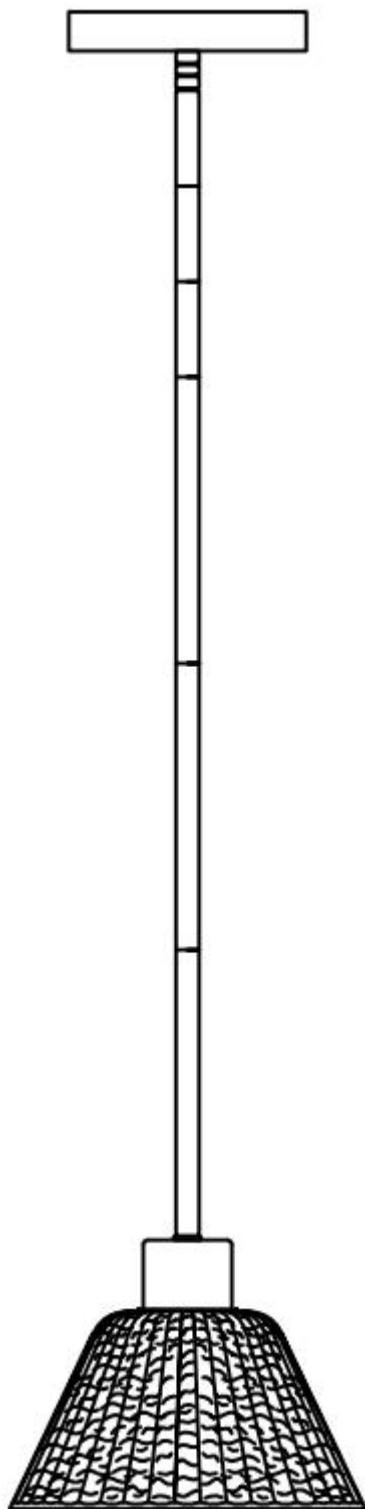




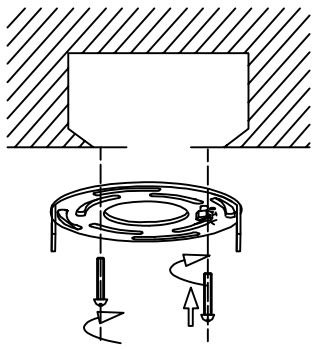
Parrot Uncle

C3011GNL



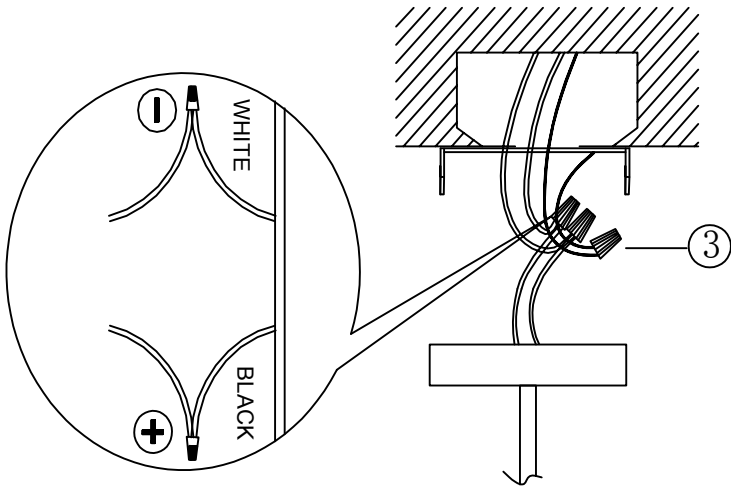
English / Español / Français

www.parrotuncle.com

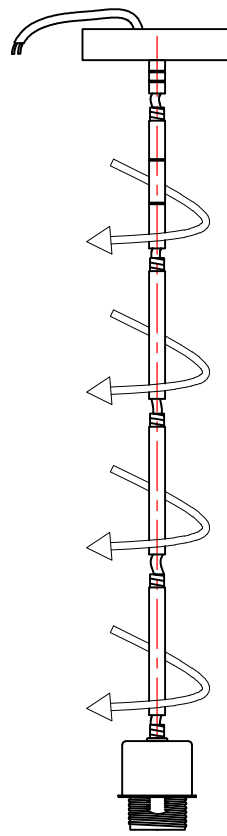


①

Install the bracket on top of the box

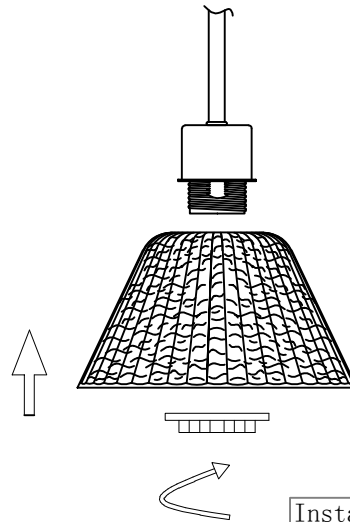


The black line is: L
 The white line is: N
 The yellow and green lines
 are: grounding wires



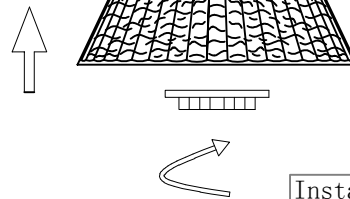
②

Fix the box and body together



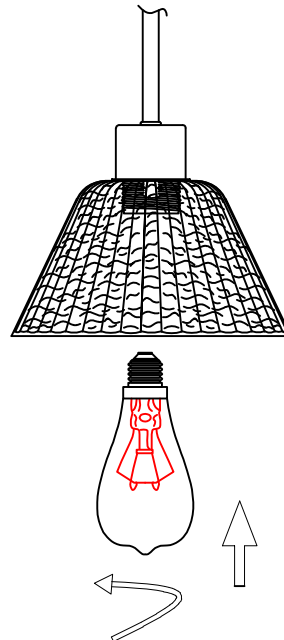
④

Screw the screw into the
 mounting board, and secure
 the light to the mounting
 board.



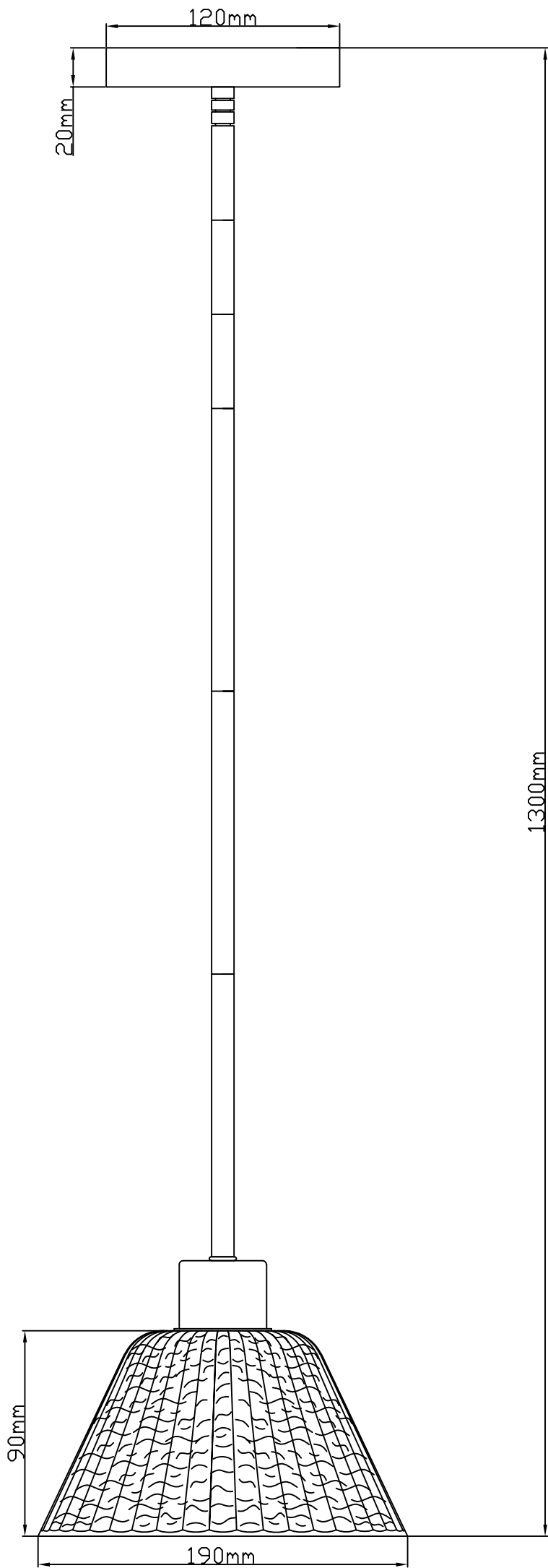
⑤

Install the lamp cap ring



⑥

Installing bulb





Parrot Uncle

MADE IN CHINA