

Water Dispenser

OPERATION MANUAL

BYCZ565

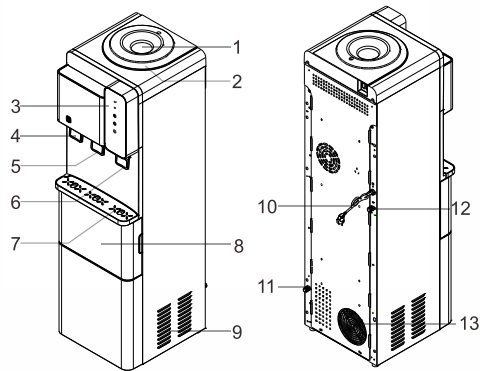
Please read this manual
carefully before using this
product. Keep this manual
for future reference

IMPORTANT SAFEGUARDS

when using electrical appliances, basic safety precautions should be followed to reduce the risk of fire, electric shock, and injury to persons or property, Read all instructions before using any appliance.

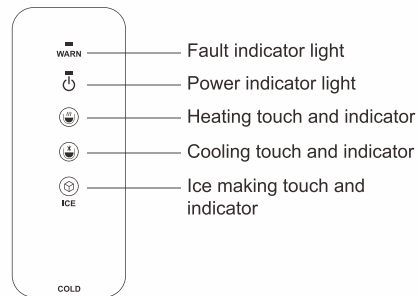
1. Do not let hot water touch bare skin. Keep combustible material such as furniture, bedding, pillows, clothes, and/or papers away from the back of the unit.
2. Do not operate this, or any other appliance, with a damaged power cord. No other appliance should be plugged into the same outlet. Be sure that the plug is fully inserted into the outlet
3. Do not run the power cord over carpeting or other heat insulations. Do not cover the cord. Keep cord away from high traffic areas, and do not submerge in water.
4. We do not recommend the use of extension cord as it may overheat and cause a risk of fire.
5. Exercise caution and use reasonable supervision when the appliance is used by or near children.
6. Do not use your water dispenser outdoors. Place the water dispenser away from direct sunlight and make sure that there is at least 4 inches(10 cm)of space between the back of your unit and wall. Keep a mini-mum of 2 inches(5 cm)on each side of your unit free.
7. Do not use this product to dispense anything other than water.
8. To avoid a hazard due to instability of the appliance, it must be placed on even and flat surface.
9. If the supply cord is damaged, the manufacturer or its service agent or a similarly qualified person must replace it in order to avoid a hazard.
10. This water cooler must be positioned so that the plug is accessible.
11. Disconnect the plug from the outlet when not in use.
12. Remove power plug or disconnect from the main power source before servicing the appliance.

SAVE THESE INSTRUCTIONS



1. Water guard
2. Top cover
3. Control panel
4. Hot faucet
5. Ambient faucet
6. Cold faucet
7. Water collecting box
8. Ice storage
9. Air inlet
10. power cord
11. Ice storage sewage outlet
12. Outfall
13. Air outlet

CONTROL PANEL



OPERATING INSTRUCTIONS

Standby

After the machine is powered on, the buzzer will beep once, the power indicator will be on, and the machine will enter standby.

Hot water function:

Press the heating touch, the buzzer will beep once, turn on the hot water function, and the hot water indicator will flash; when the water temperature reaches the set requirement, the hot water indicator will be on; if you need to turn off the hot water function, press the heating touch again, the hot water indicator will go out, and the hot water function will be turned off.

Cold water function:

Press the cooling touch, the buzzer will beep once, turn on the cold water function, and the cold water indicator will flash; when the water temperature reaches the set requirement, the cold water indicator will be on; if you need to turn off the cold water function, press the cooling touch again, the cold water indicator will go out, and the cold water function will be turned off.

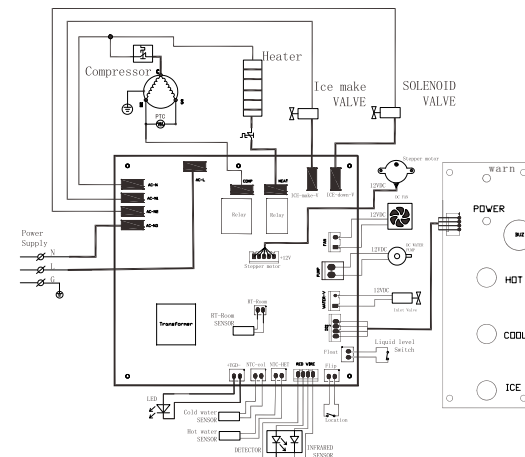
Ice-making function:

Press the ice-making touch, the buzzer will beep once, the ice-making indicator flashes, the ice making function is on, and the ice-making time is about 10 minutes per cycle. When the ice-making indicator is always on, it means the refrigerator is full, ice making is suspended; remove the ice cubes in the box, and the machine restarts the ice-making function; if you need to turn off the ice-making function, press the ice-making touch, the ice-making indicator will go out and the ice-making function will be turned off.

Note: Before the ice-making function starts, please make sure that the water level in ice storage tank does not exceed the baffle. If it does, please release water from the ice storage sewage outlet .


MODEL	BYCZ565
CLIMATE	ST
VOLTAGE/FREQUENCY	115V / 60Hz
HEATING POWER	500W
ICE MAKING / COOLING WATER CURRENT	2.0A
DEICING CURRENT	2.3A
HEATING CAPACITY	≥90°C 5L/h
COOLING CAPACITY	≤10°C 3L/h
ICE CAPACITY	13kg/24h
REFRIGERANT/VOLUME	R134a/72g
NET WEIGHT	18kg
TEST TEMP	WATER TEMP 25 °C ENVIRONMENT TEMP 25 °C


Circuit diagram



TROUBLE-SHOOTING

Fault phenomenon	Fault cause	Fault treatment
The warn indicator is on, and the hot water indicator flashes quickly	Hot water temperature sensor short circuit or open circuit	Please contact seller on AMAZON
The warn indicator is on, and the cold water indicator flashes quickly	Cold water temperature sensor short circuit or open circuit	Please contact seller on AMAZON
The warn indicator is on, and the ice-making indicator flashes quickly	Ambient temperature sensor short circuit or open circuit	Please contact seller on AMAZON
The warn indicator is on, the ice box is stuck and cannot be turned over, the ice cubes are connected together	1. The ice evaporator position is too low 2. Ice making cycle time is too long	1. Position up 2. Turn on the machine after 15 minutes of shutdown
Warm water temp is too high	Leaking bucket, Water level is too high	Replace the bucket
The ice making process is normal, but no ice is formed	Ambient temperature or water temperature is too high	Please make ice when the ambient temperature is below 32°C
The warn indicator flashes quickly and the ice making indicator goes out	Ice-making lack of water	Replace the bucket with water
No ice, no cooling water	Leaking or clogged refrigeration system	Please contact seller on AMAZON

 This product must not be disposed together with the domestic waste. This product has to be disposed at an authorized place for recycling of electrical and electronic appliances.

 By collecting and recycling waste, you help save natural resources, and make sure the product is disposed in an environmental friendly and healthy way.