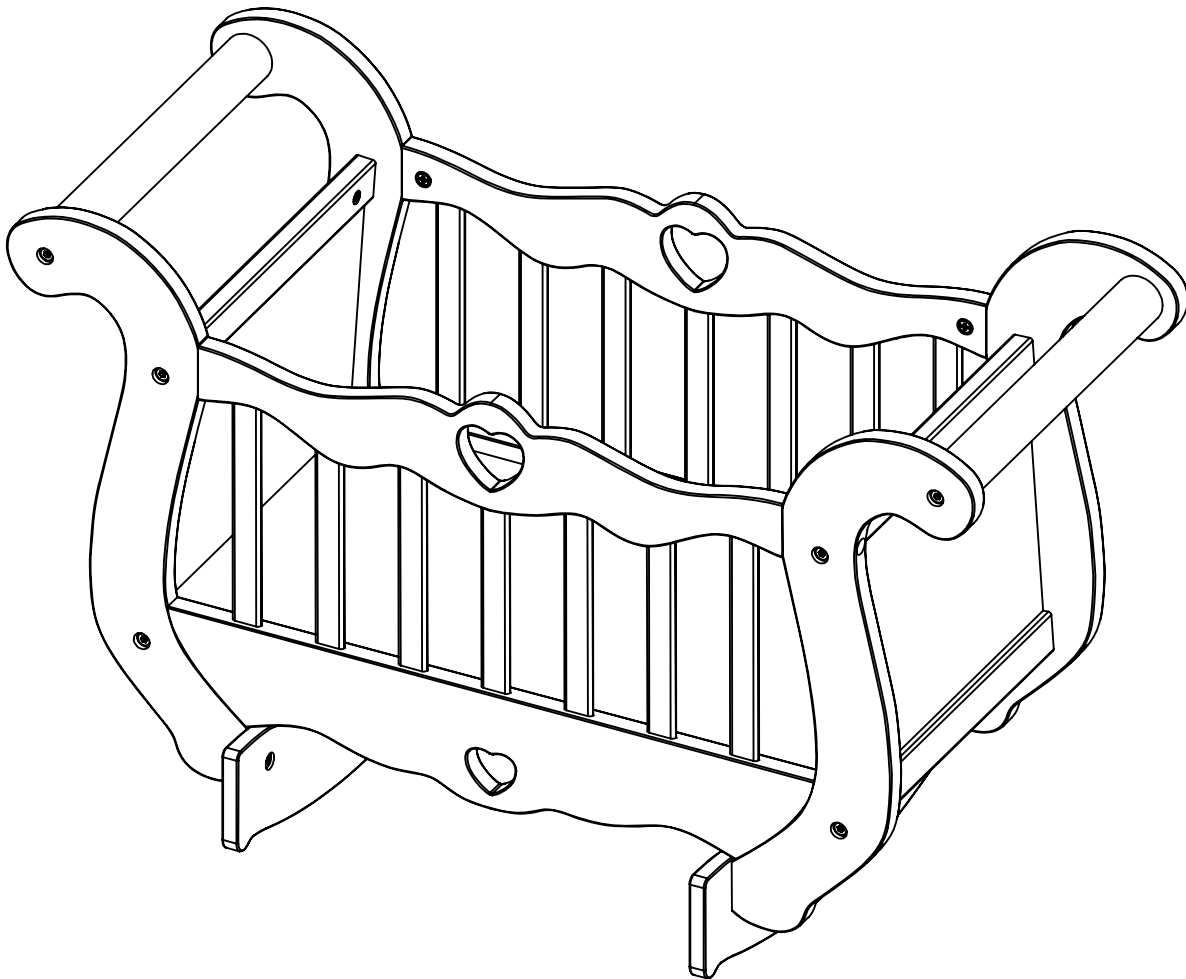





9385 WOODEN DOLL CRIB

Assembly Instructions



 **WARNING:**
Adult assembly required.

We care about your comments. Please call us!

1-800-284-3948

www.MelissaAndDoug.com

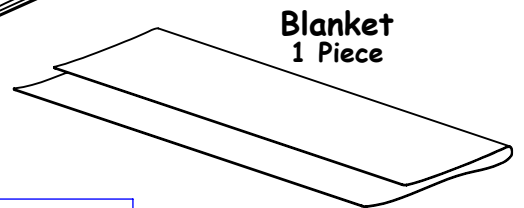
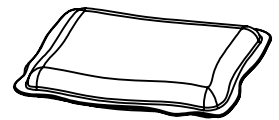
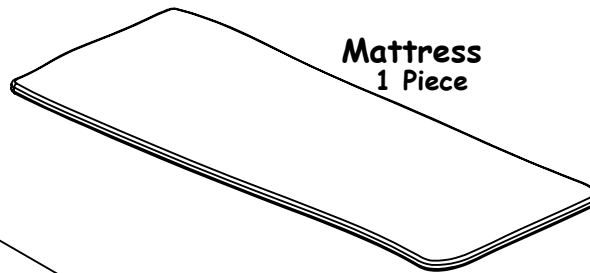
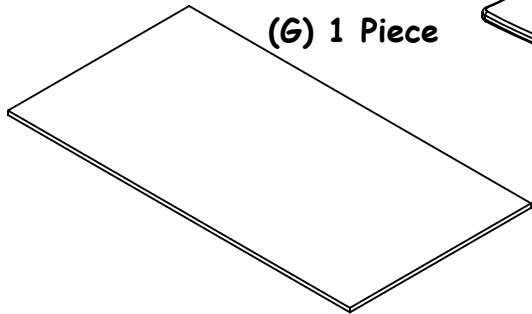
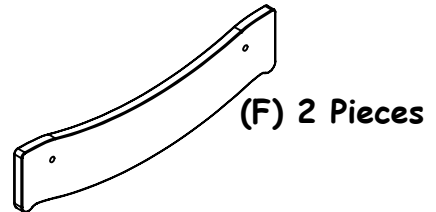
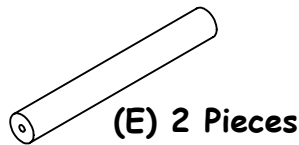
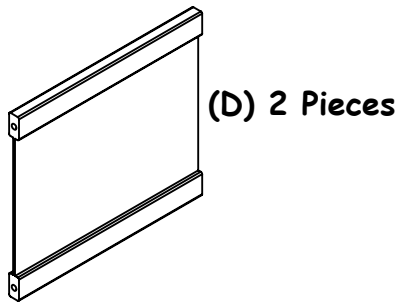
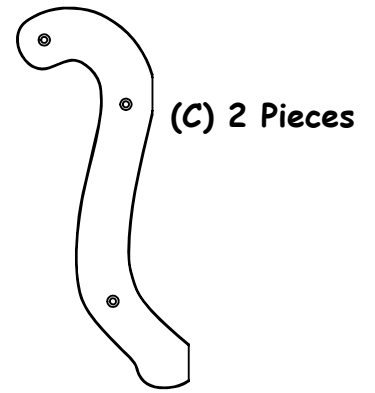
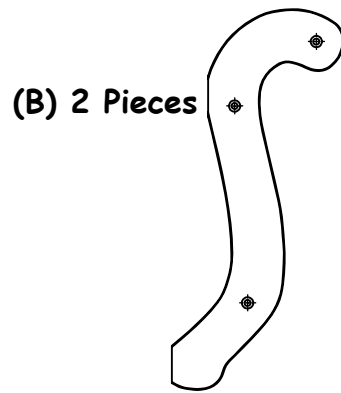
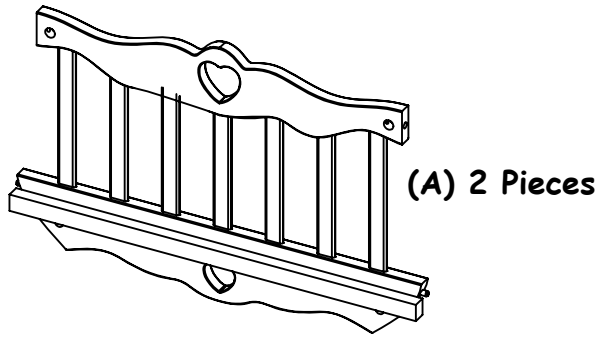
 **WARNING:**
CHOKING HAZARD- Small parts.
Not for children under 3 years.

© 2013 Melissa & Doug, LLC, P.O. Box 590, Westport, CT 06881

Item # 9385

All Rights Reserved

9385 WOODEN DOLL CRIB Parts



HARDWARE (Shown Actual Size)



Barrel Nut
20 Pieces



Hex Head Short Screw
4 Pieces



Hex Head Medium Screw
12 Pieces



Hex Head Long Screw
8 Pieces

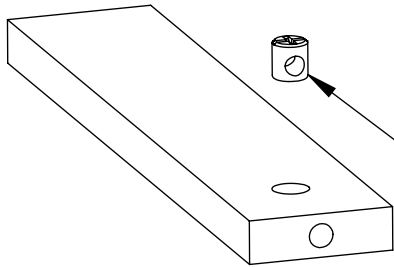


9385 WOODEN DOLL CRIB

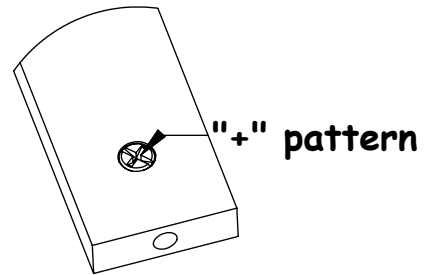
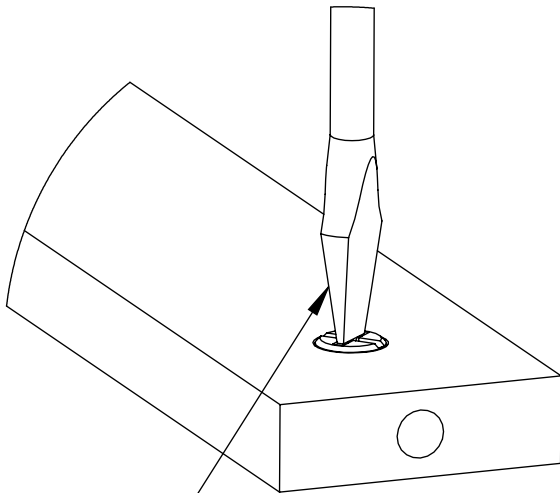
How to correctly install Barrel Nuts



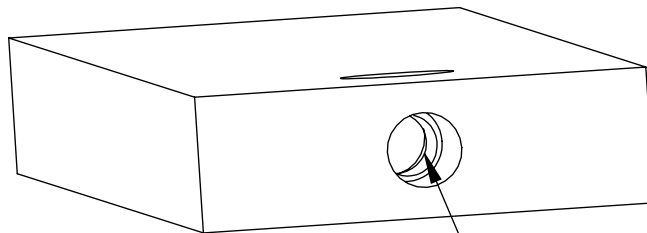
(Images on this page are
for example only.)



Press a Barrel Nut into the hole in the part making sure that the "+" pattern is facing out.



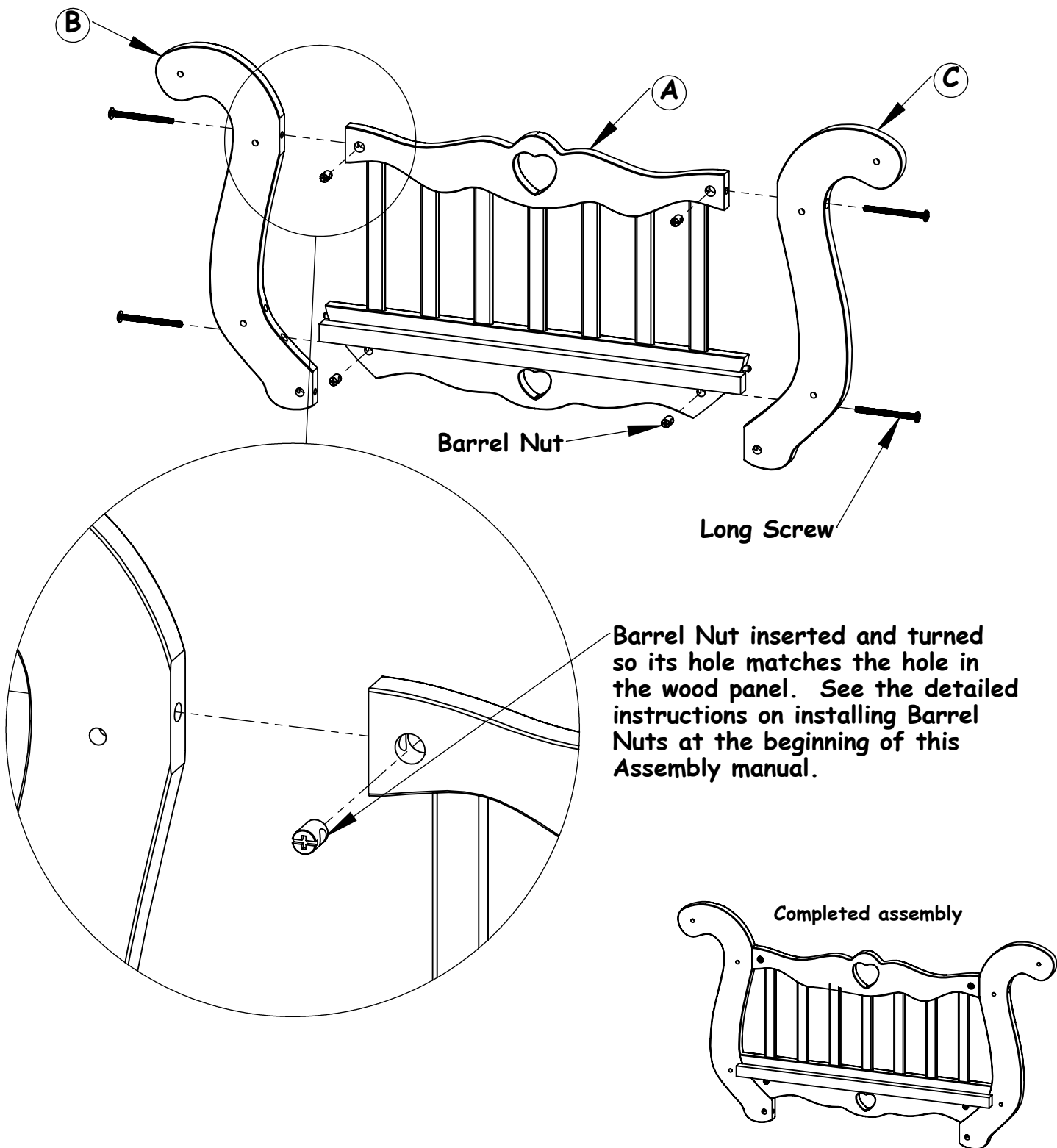
Using a standard screwdriver, turn the Barrel Nut until the threaded hole is facing outward to accept the screw shown below.



Threaded hole
of the Barrel Nut

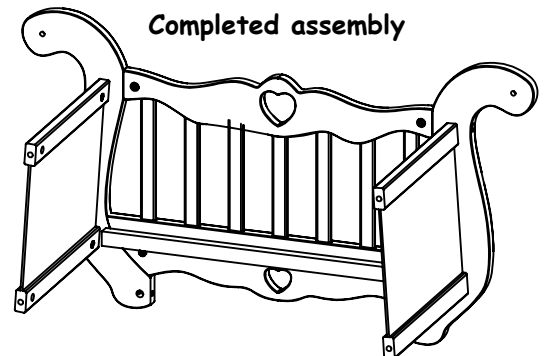
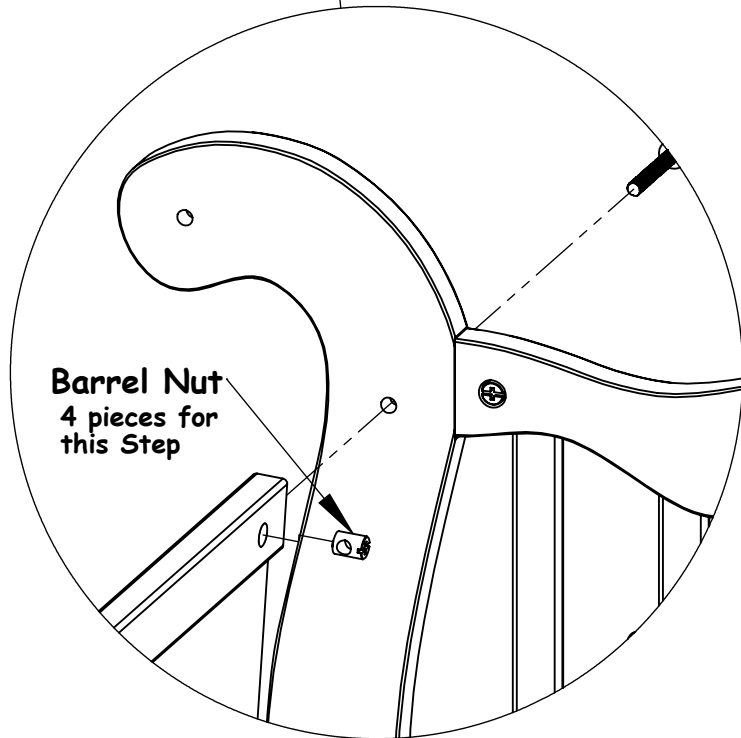
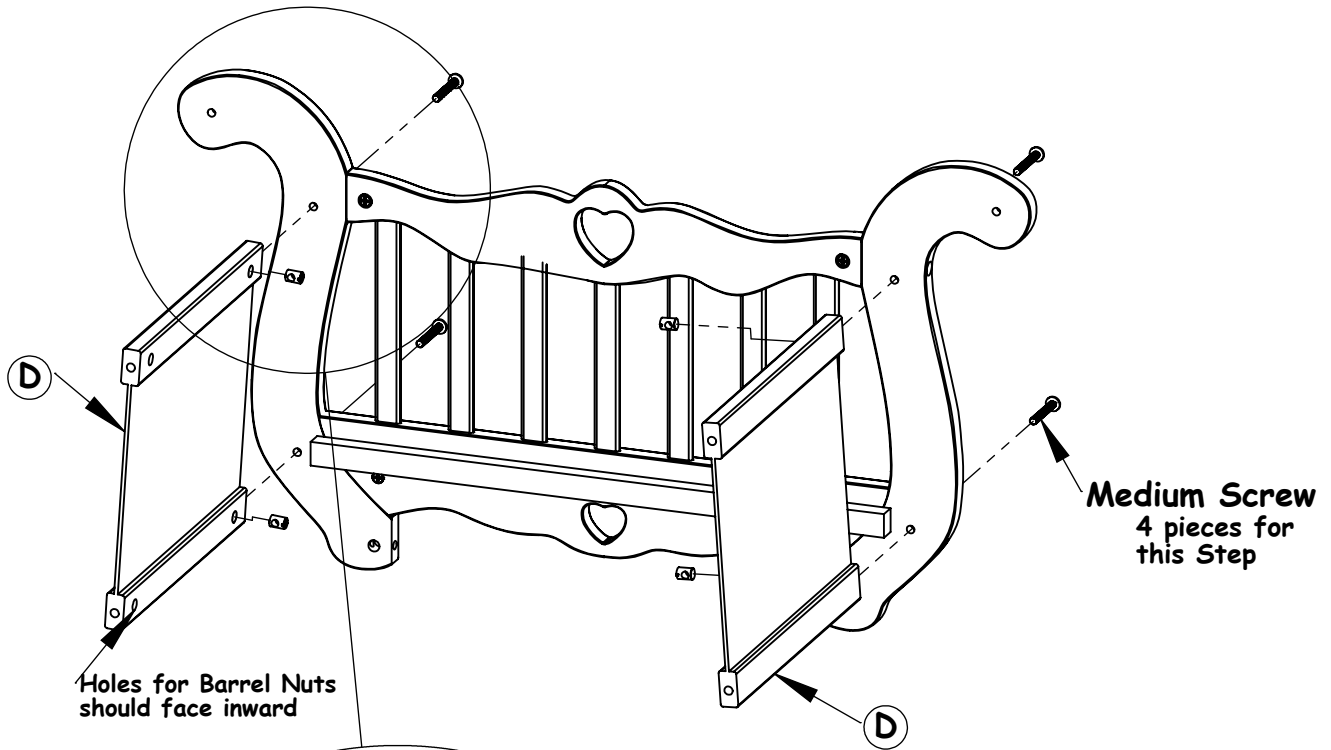
STEP 1

Assemble parts (B) and (C) to part (A) using 4 Long Screws and 4 Barrel Nuts as shown below. Repeat the same for the second side using the additional parts (A), (B) and (C).



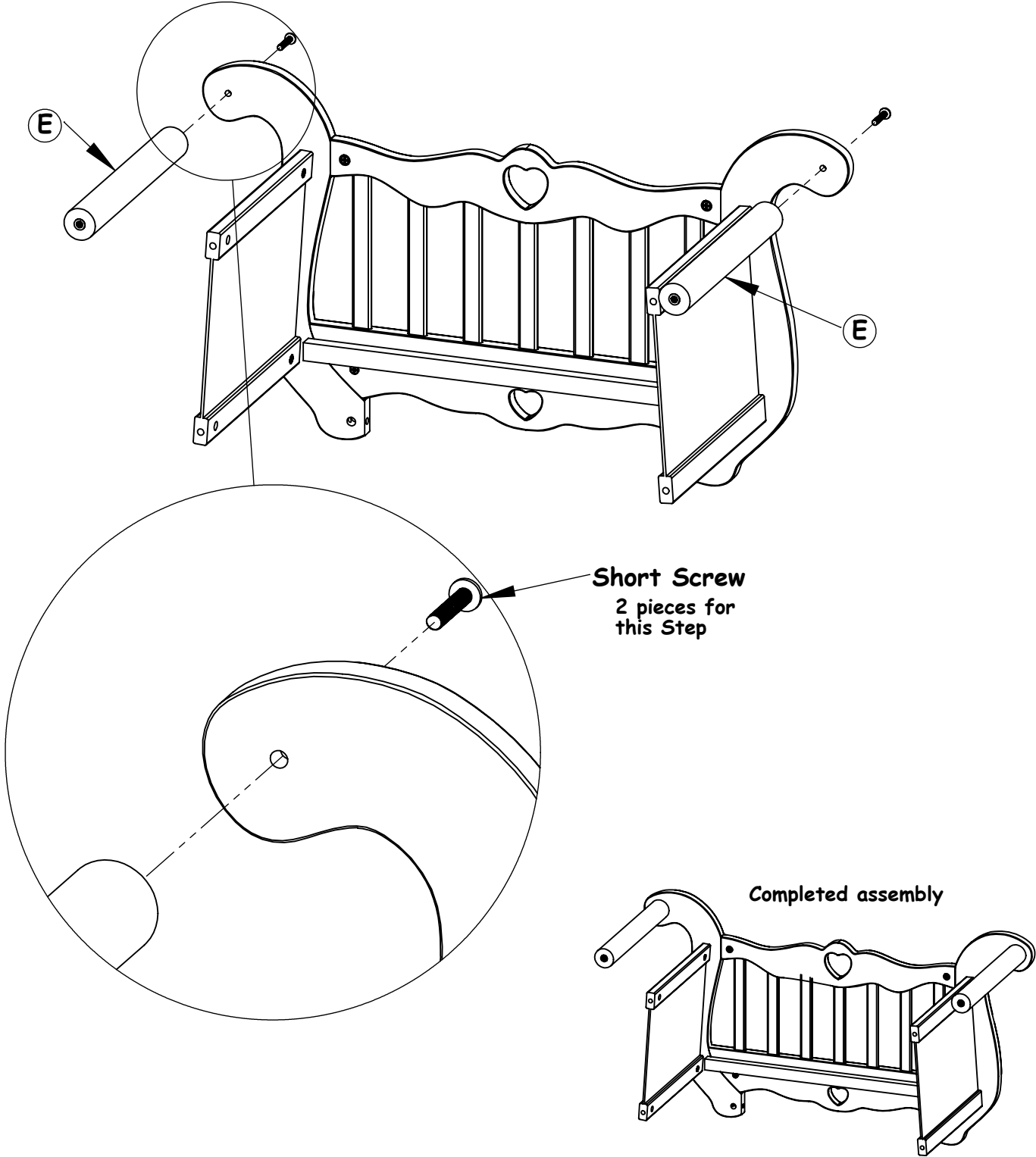
STEP 2

Assemble 2 parts (D) as shown using 4 Medium Screws and 4 Barrel Nuts. Make sure to face the holes for the Barrel Nuts on part (D) inward for a smooth look on the outside of the Crib.



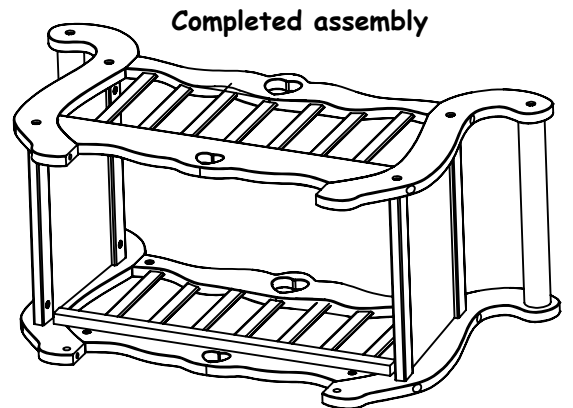
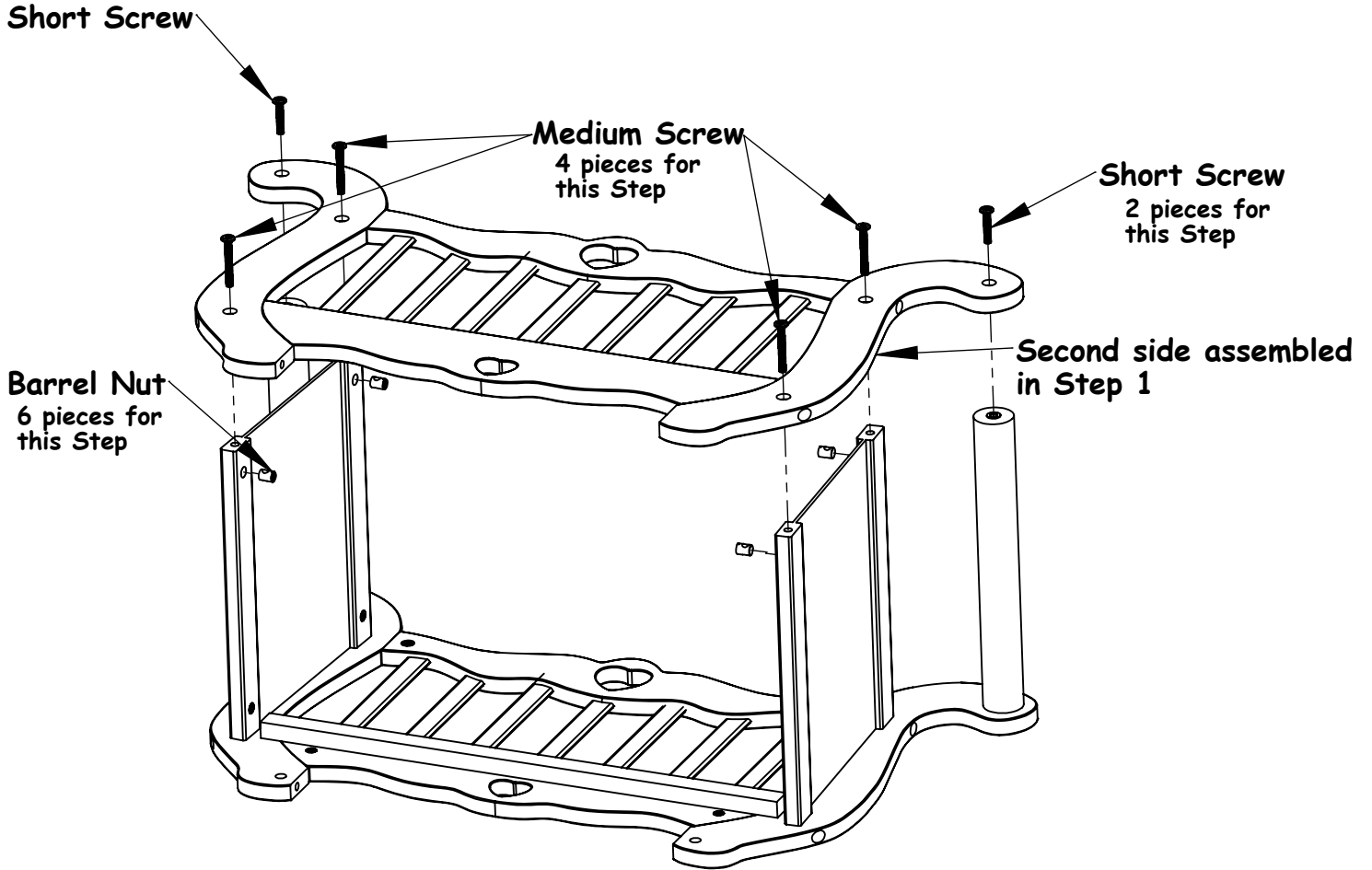
STEP 3

Attach 2 parts (E) as shown using 2 Short Screws



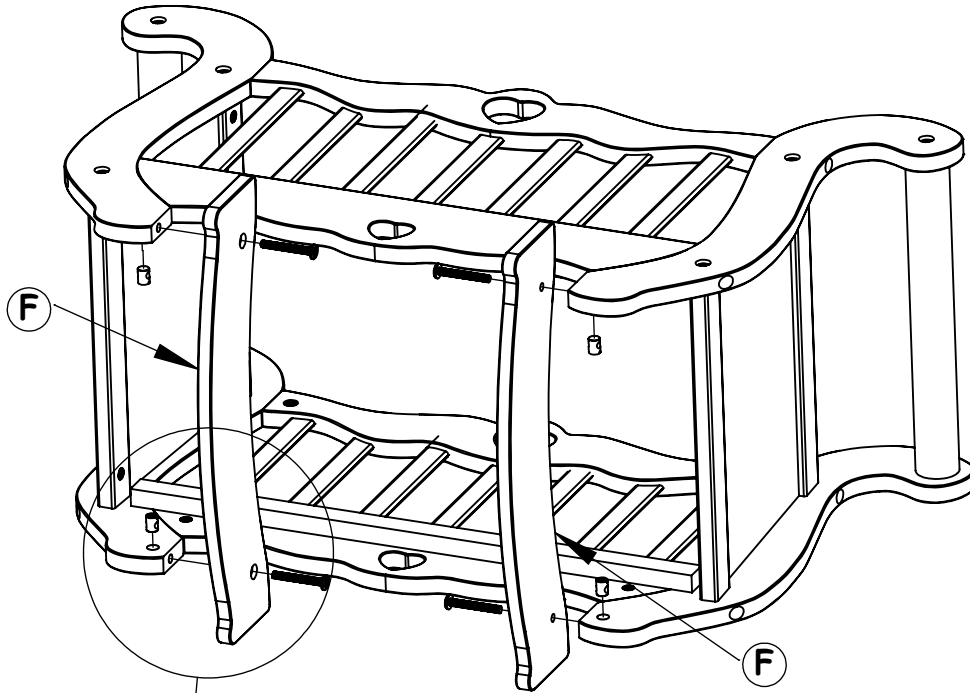
STEP 4

Attach the second Side Assembly that you made in Step 1 as shown below using 4 Barrel Nuts, 4 Medium Screws and 2 Short Screws.

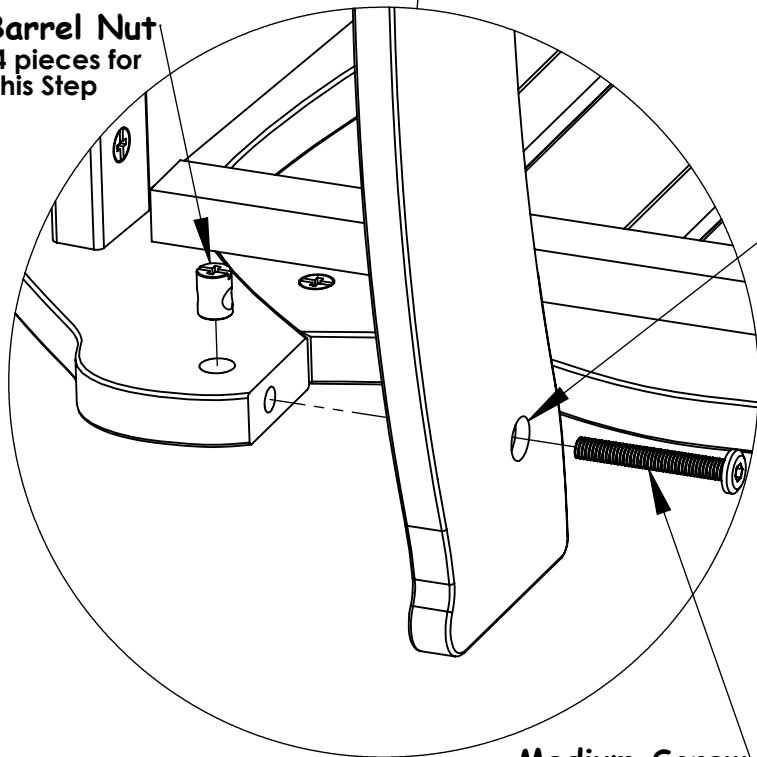


STEP 5

Assemble 2 parts (F) as shown below using 4 Medium Screws and 4 Barrel Nuts.

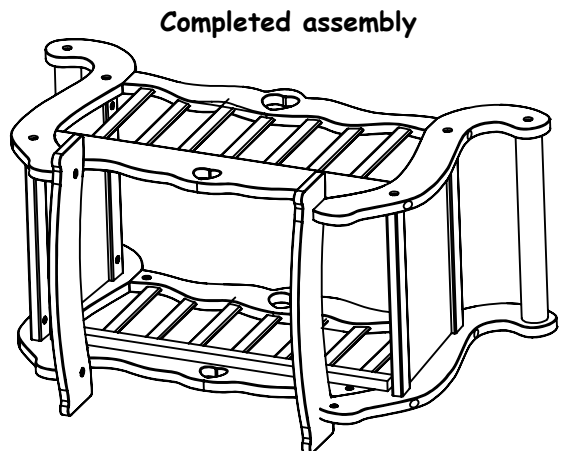


Barrel Nut
4 pieces for
this Step



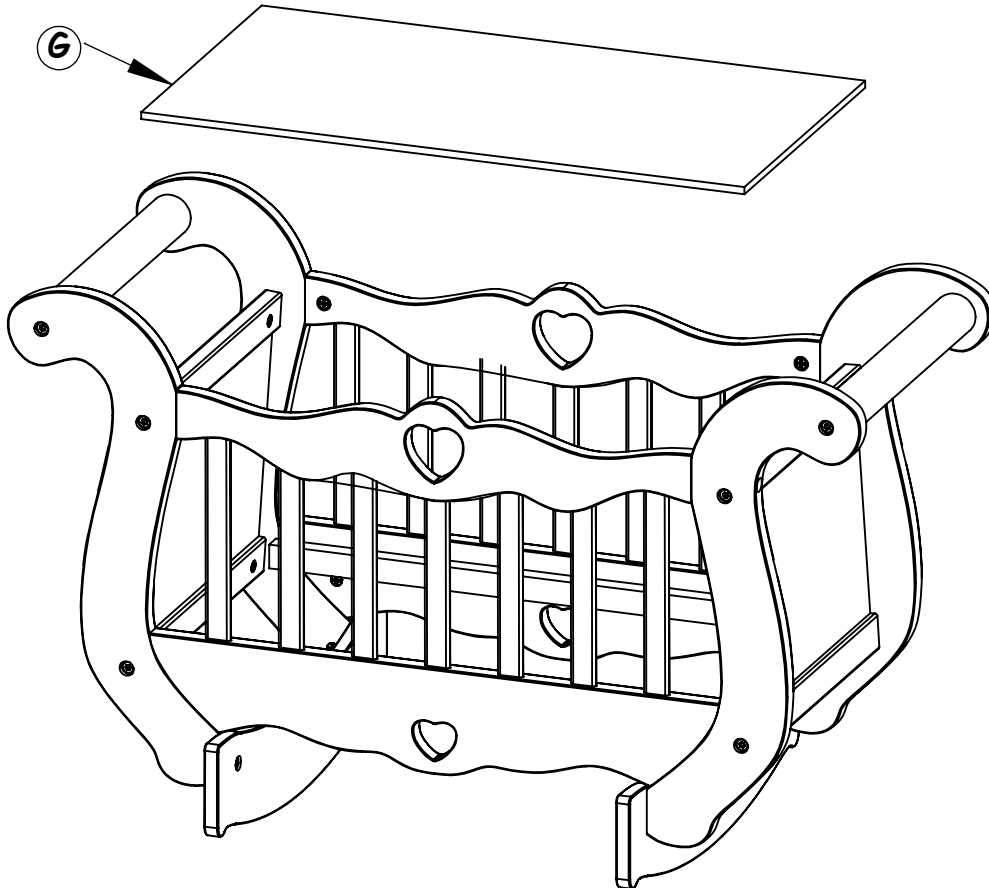
Note: This side of part (F) is recessed for the head of the Screw. Make sure to use this side as shown.

Medium Screw
4 pieces for
this Step



STEP 6

Fit part (G) to the assembled Crib by tipping one end in first, then lowering the opposite end.



Add the Mattress, Blanket and Pillow and you are ready to play!

