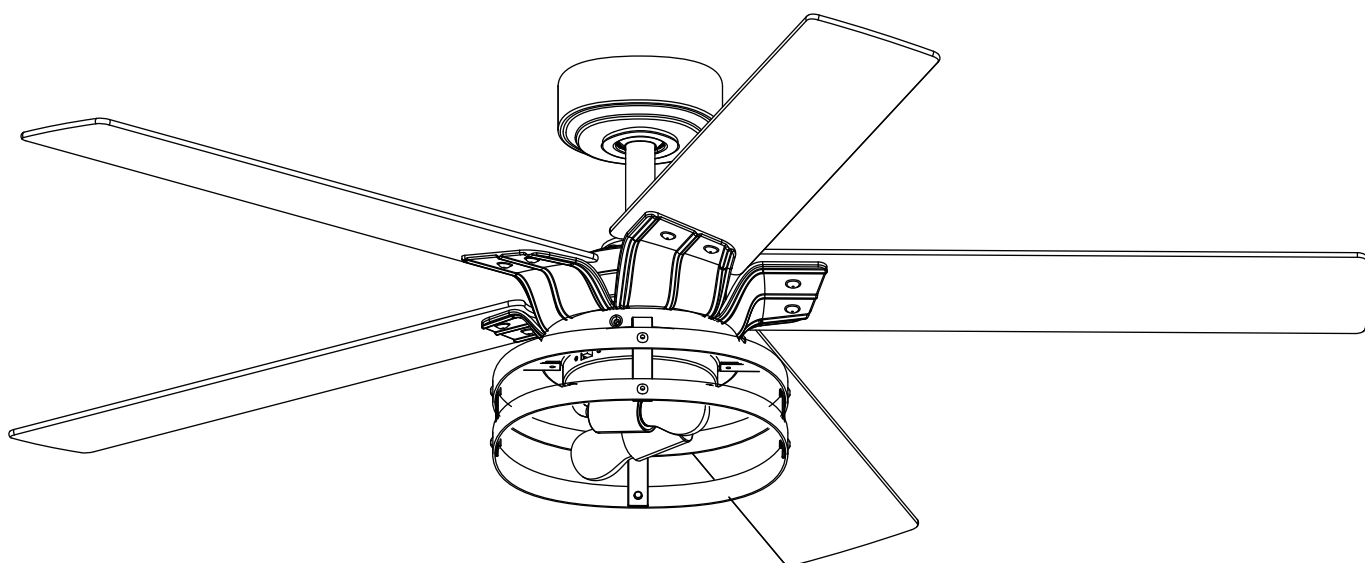




Parrot Uncle

F632110V



English / Español / Français

www.parrotuncle.com



Parrot Uncle

F6321110V

**Installation & Operating Instructions for the
Parrot Uncle Owner's Installation, Manual**

WARNING: SHUT POWER OFF AT FUSE OR CIRCUIT BREAKER

Safety Information

1. To reduce the risk of electric shock, the electricity has been turned off at the circuit breaker or fuse box before begin.
2. All wiring must be in accordance with the National Electrical Code NASI/NFPA70-1999 and local electrical codes. Electrical installation should be performed by a qualified licensed electrician.
3. The outlet box and support structure must be securely mounted and capable of reliably supporting 35lb.(15.9kg). Use only UL listed outlet boxes marked "Acceptable for Fan Support of 35lbs (15.9kg) or less."
4. The fan must be mounted with a minimum of 7 ft. (2.1m) clearance from the trailing edge of the blades to the floor.
5. Do not operate the reversing switch while the fan blades are in motion. You must turn the fan off and stop the blades before you reverse the blade direction.
6. Do not place objects in the path of the blades.
7. To avoid personal injury or damage to the fan and other items, please be careful when working around or cleaning the fan.
8. Electrical diagrams are for reference only. Light kits that are not packed with the fan must be UL-listed and marked suitable for use with the model fan you are installing. Switches must be UL General Use Switches. Refer to the instructions packaged with the light kits and switches for proper assembly.
9. After making electrical connections, spliced conductors should be turned upward and pushed carefully up into the outlet box. The wires should be spread apart with the grounded conductor and the equipment-grounding conductor on one side of the outlet box. and the ungrounded conductor on the other side of the outlet box.
10. All setscrews must be checked and retightened where necessary before installation.



WARNING: TO reduce the risk of personal injury, do not bend the blade brackets (also referred to as flanges) during assembly or after installation. Do not insert objects in the path of the blades.



WARNING: Remove the rubber motor stops on the bottom of the fan before installing the blades or testing the motor.



WARNING: To reduce the risk of fire or electric shock, do not use this fan with any solid-state speed control device.



WARNING: To avoid possible electric shock, turn the electricity off at the main fuse box before wiring. If you feel you do not have enough electrical wiring knowledge or experience, contact a licensed electrician.



WARNING: Electrical diagrams are for reference only. Optional use of any light kit shall be UL-listed and marked suitable for use with this fan.



WARNING: To reduce the risk of fire, electric shock, or personal injury, mount to outlet box marked "Acceptable for fan support of 35lbs. (15.9 kg) or less "and use the screws provided with the outlet box.

TECHNICAL INFORMATION

SKU	Nominal Voltage	Nominal output(motor)	light
F6321110V	120V AC	70W	2 X E26 MAX6.5W



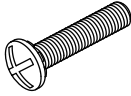
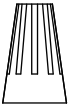




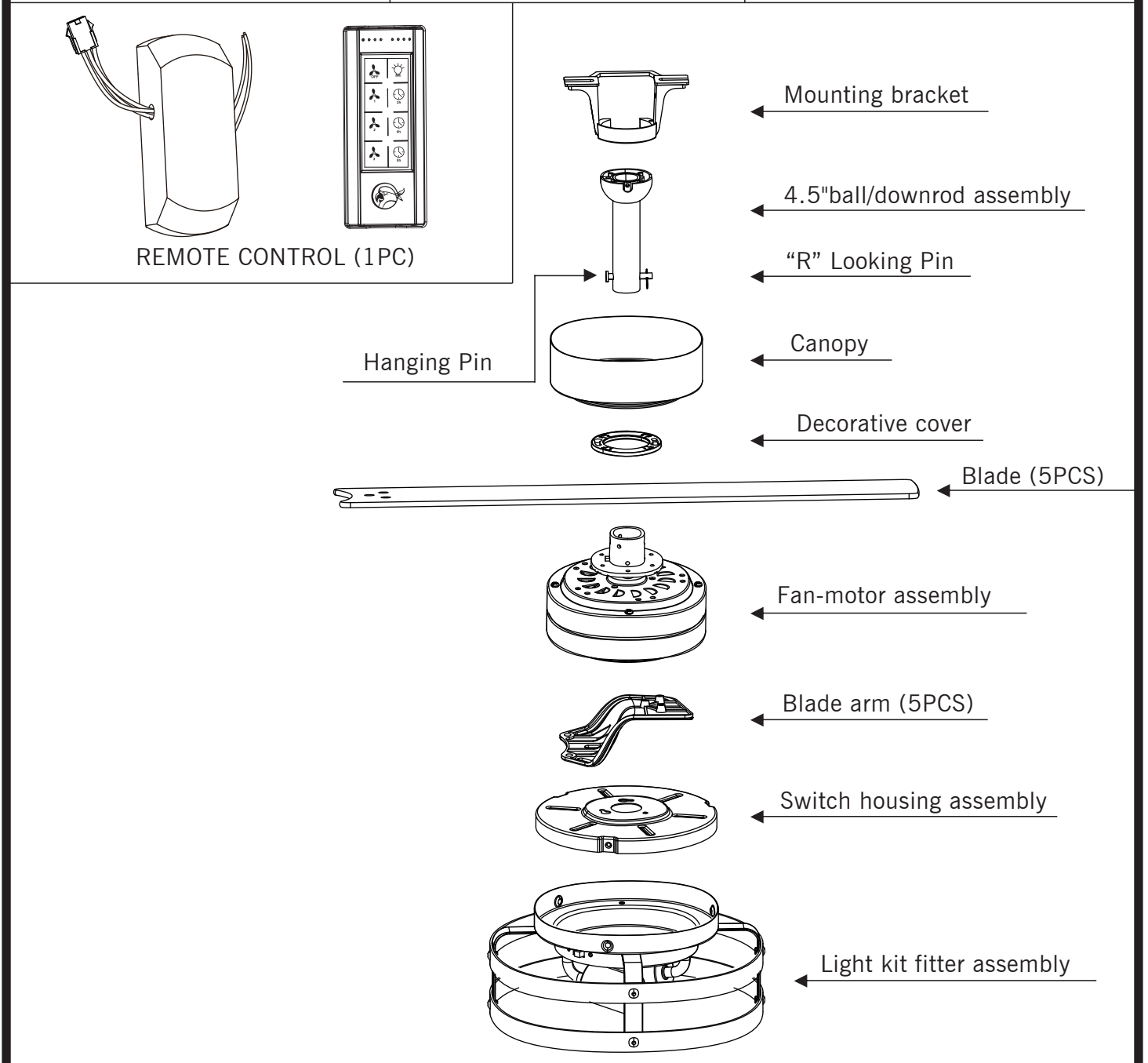
Parrot Uncle

F6321110V

Installation & Operating Instructions for the
Parrot Uncle Owner's Installation, Manual

WARNING: SHUT POWER OFF AT FUSE OR CIRCUIT BREAKER

 Blade screw (16PCS)	 Mounting screws (2PCS)	 Screws (2PCS)
 Plastic wire nut (4PCS)	 Washer (2PCS)	 Blade arm screws (11PCS)



Pls check whether above accessories are completed or not?Yes,and install.



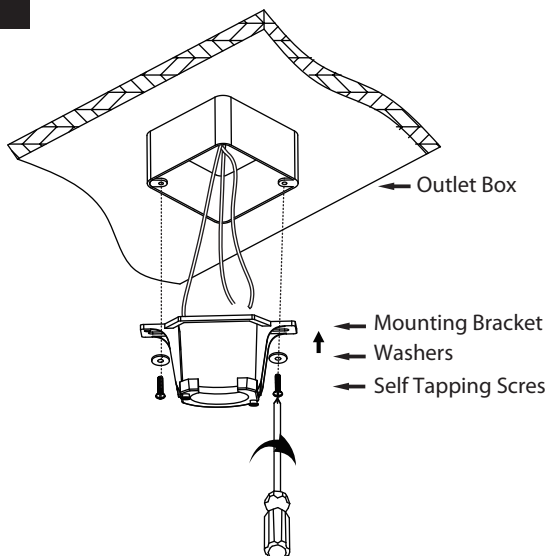
Parrot Uncle

F6321110V

Installation & Operating Instructions for the Parrot Uncle Owner's Installation, Manual

WARNING: SHUT POWER OFF AT FUSE OR CIRCUIT BREAKER

1

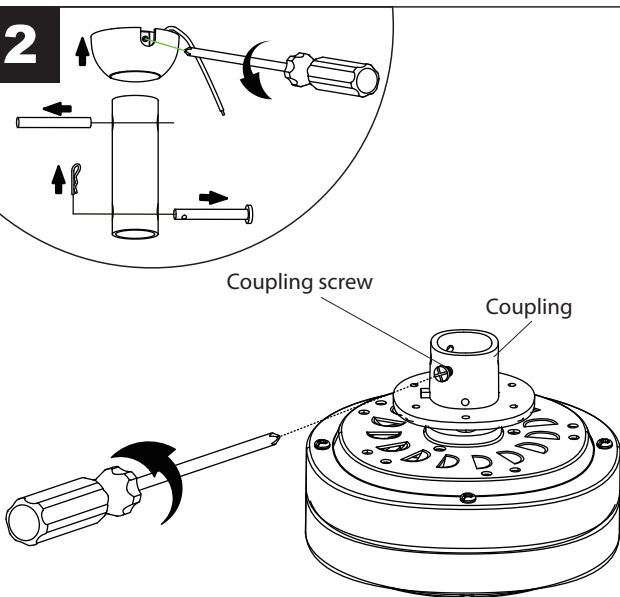


Check existing outlet box (not included) to ensure it is securely fastened to at least two points in a structural ceiling member and can support the full weight of the fan.

Once verified, install mounting bracket to the outlet box using the screws and washers provided.

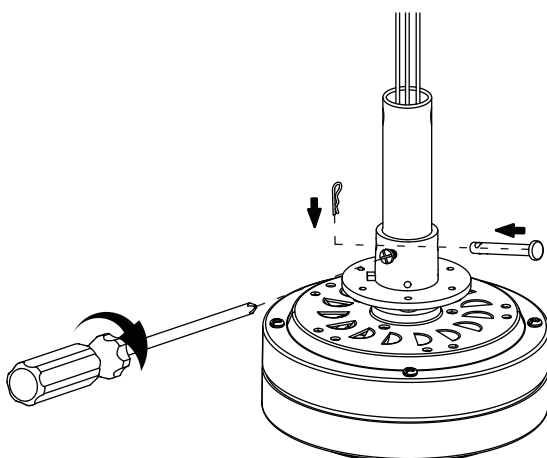
DANGER: A loose outlet box can cause the fan to wobble and increase the fan's potential to fall, which could result in serious injury or death.

2



Loosen the two coupling screws preassembled in the coupling, but do not remove them. Remove the locking pin and hanging pin from the downrod assembly. Retain for later use.

3



Slide downrod into the coupling on top of the motor. Install the hanging pin by aligning the holes in the coupling with holes in the downrod. Secure hanging pin with locking pin. Securely tighten the two previously loosened set screws.

CAUTION: All set screws must be checked and retightened where necessary before installation.



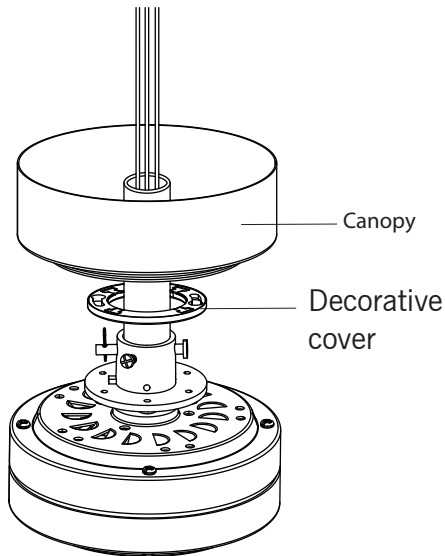
Parrot Uncle

F6321110V

Installation & Operating Instructions for the
Parrot Uncle Owner's Installation, Manual

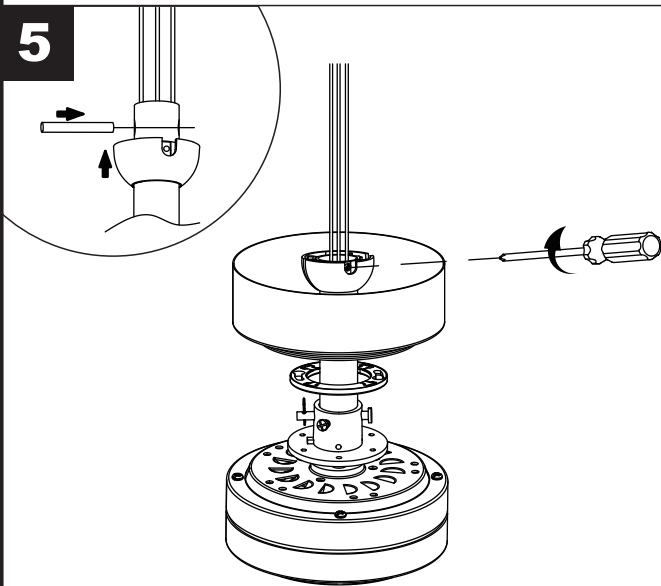
WARNING: SHUT POWER OFF AT FUSE OR CIRCUIT BREAKER

4



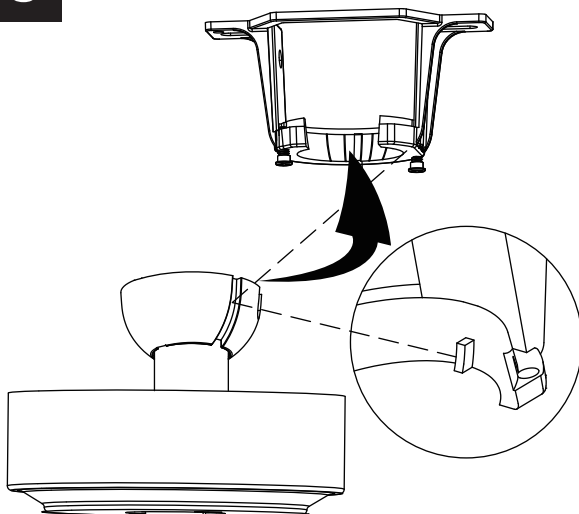
Place downrod assembly through canopy and decorative cover. Route the motor lead wires through the downrod assembly.

5



Route the wires through the hanger ball. Position the pin through the two holes in the downrod and align the hanger ball so the pin is captured in the groove in the top of the hanger ball. Pull the hanger ball up tight against the pin. Securely tighten the set screw in the hanger ball. A loose set screw could cause fan wobble.

6



Carefully lift the fan and seat the downrod / hanger ball assembly onto the mounting bracket that was just attached to the outlet box. Be sure the groove in the ball is lined up with tab on the mounting bracket.

WARNING: Failure to seat tab in groove could cause damage to electrical wires and possible shock or fire hazard.

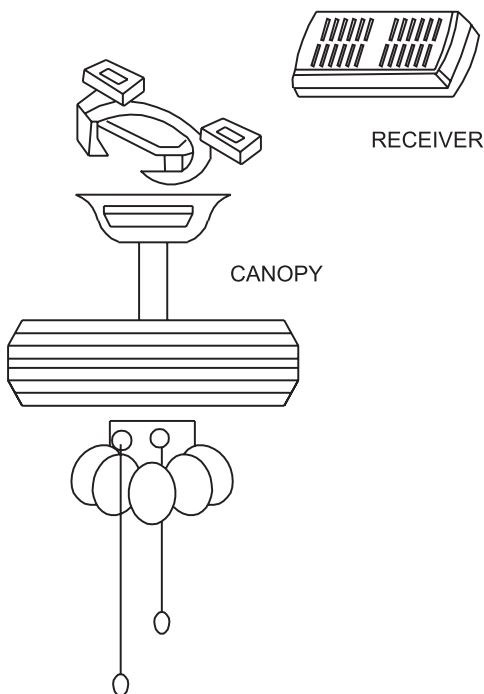
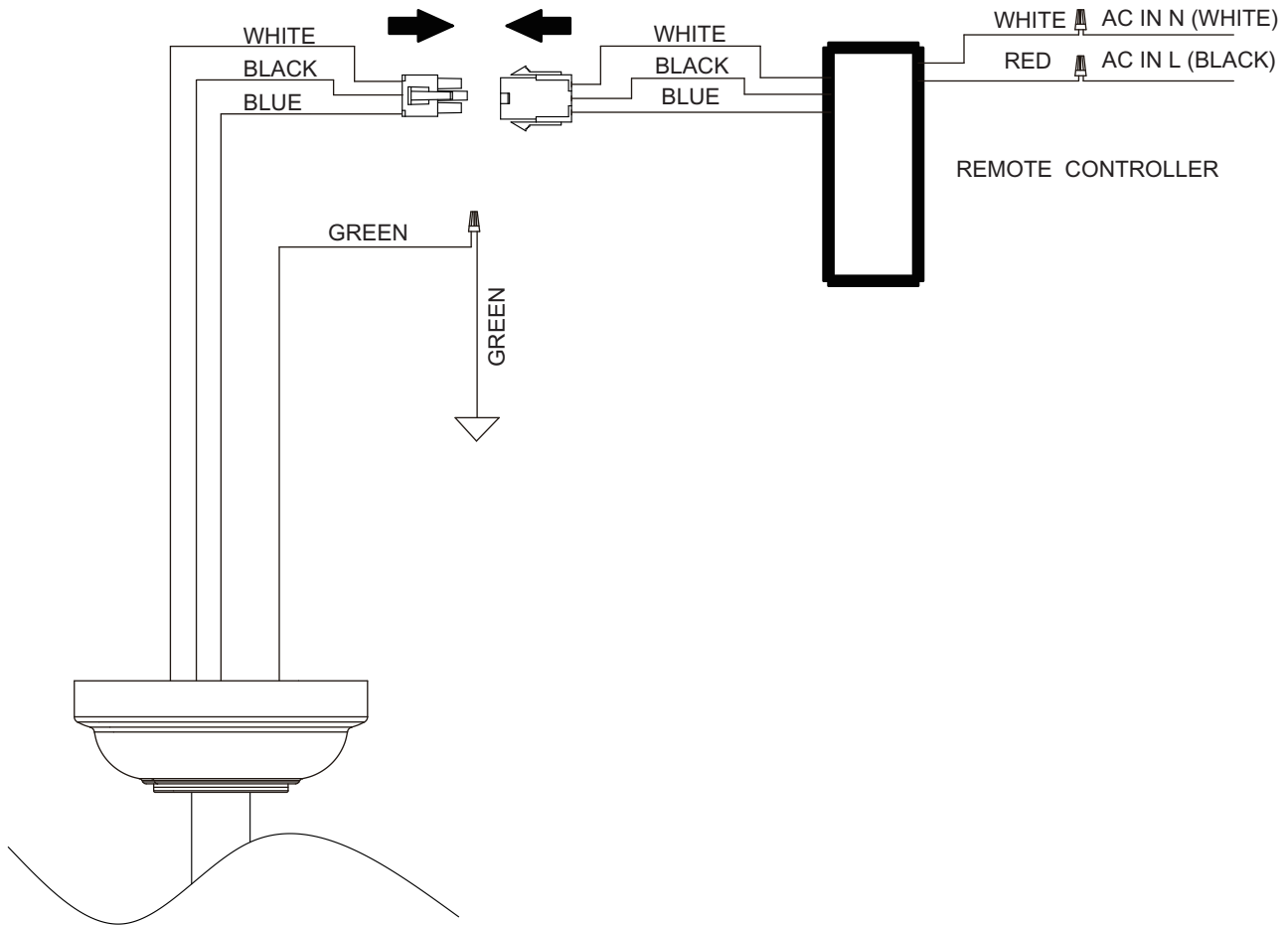


Parrot Uncle

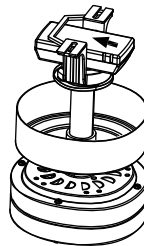
F6321110V

Installation & Operating Instructions for the
Parrot Uncle Owner's Installation, Manual

WARNING: SHUT POWER OFF AT FUSE OR CIRCUIT BREAKER



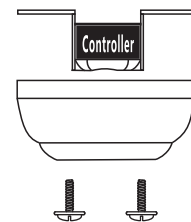
Install remote control



Slide the receiver into the open end of the mounting bracket with the flat side of the receiver facing the ceiling

remote control <ONLY>

Preparing for mounting



Loosen the screws without fully removing it. Assemble canopy by rotating key slot in canopy over screws in mounting bracket, taking care not to pinch the wires. Tighten the screws.

LIGHT MUST BE KEPT AT THE ON POSITION

FAN MUST BE KEPT AT THE HIGH SPEED



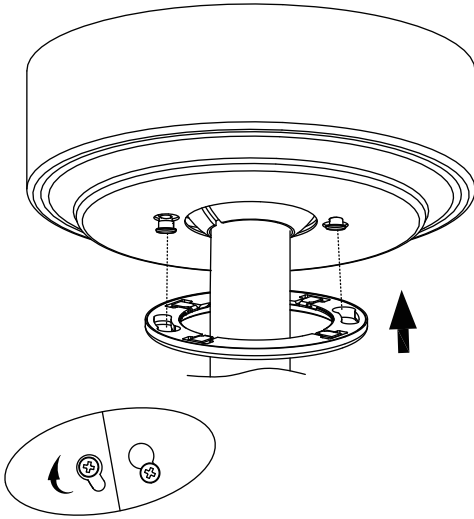
Parrot Uncle

F6321110V

Installation & Operating Instructions for the
Parrot Uncle Owner's Installation, Manual

WARNING: SHUT POWER OFF AT FUSE OR CIRCUIT BREAKER

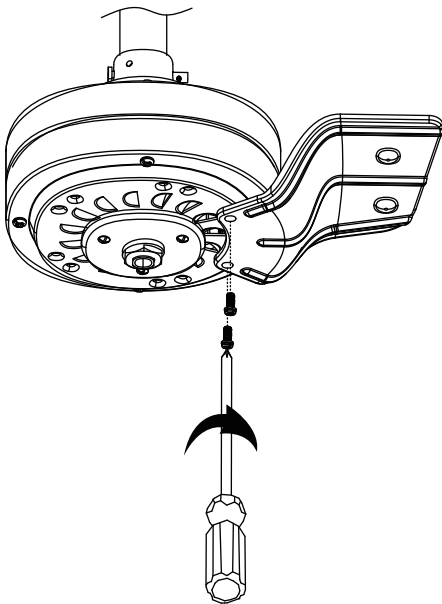
7



Securely attach and tighten the canopy cover over the screws in the mounting bracket utilizing the key slot twist-lock feature.

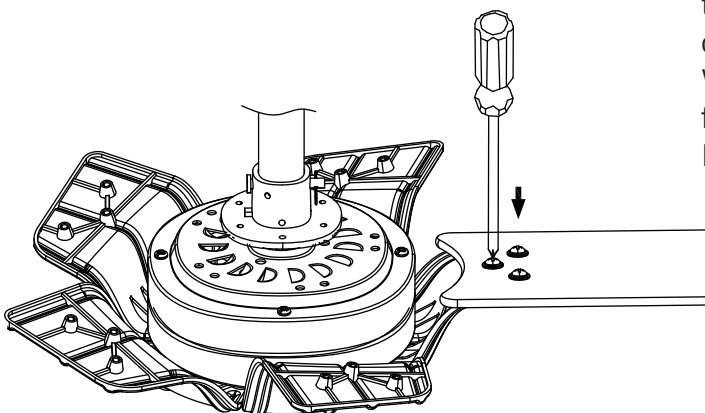
Note: Adjust the canopy screws as necessary until the canopy and canopy cover are snug.

8



Secure the blade arms to the motor support using the blade arm screws through the holes located on the bottom of the motor support.

9



Position the blade over the blade arm with the threaded posts showing. Make sure the bottom edge of the blade is fully seated against the blade arm. With a phillips screwdriver, tighten blade screws with flat washer to secure the blade to the blade arm. Repeat the procedure for the remaining blades.



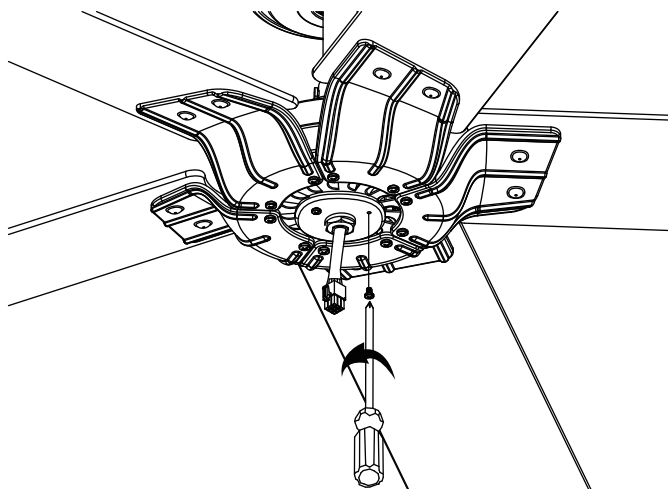
Parrot Uncle

F6321110V

Installation & Operating Instructions for the
Parrot Uncle Owner's Installation, Manual

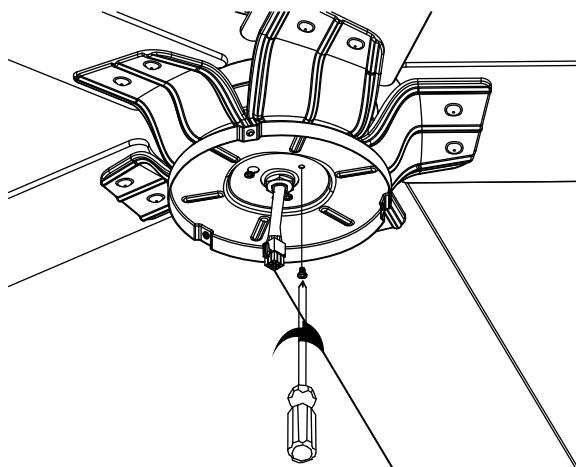
WARNING: SHUT POWER OFF AT FUSE OR CIRCUIT BREAKER

10



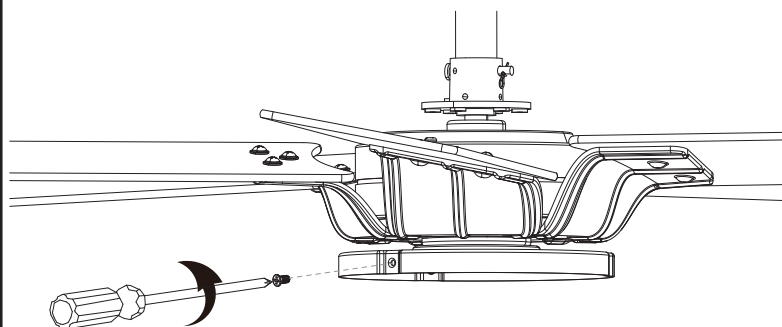
Remove one of the three screws in the support bracket at the bottom of the motor assembly. Retain the screw for later and slightly loosen the remaining two screws.

11



Assemble the switch housing to the support bracket using the two key slots. Replace the previously removed screw and securely tighten all three screws.

12



Remove the three screws in the switch housing at the bottom of the motor assembly.



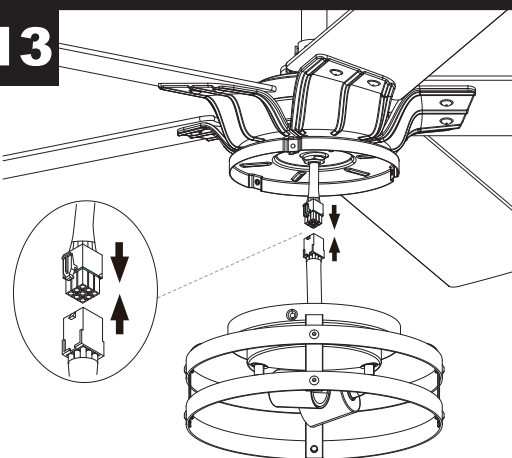
Parrot Uncle

F6321110V

Installation & Operating Instructions for the
Parrot Uncle Owner's Installation, Manual

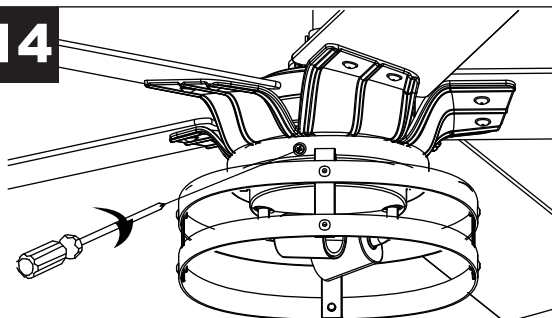
WARNING: SHUT POWER OFF AT FUSE OR CIRCUIT BREAKER

13



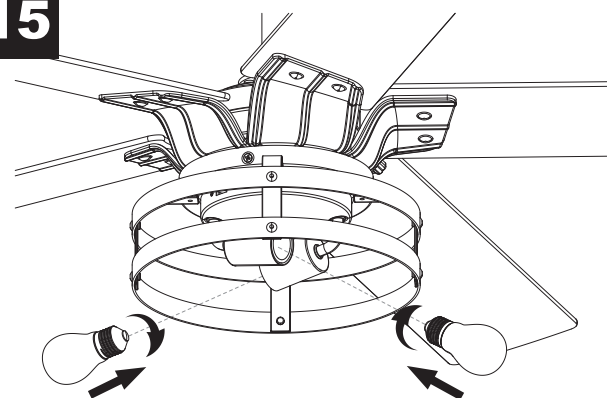
Connect the wires from motor to the wires from the light kit by using the 9-pin molex plug.

14



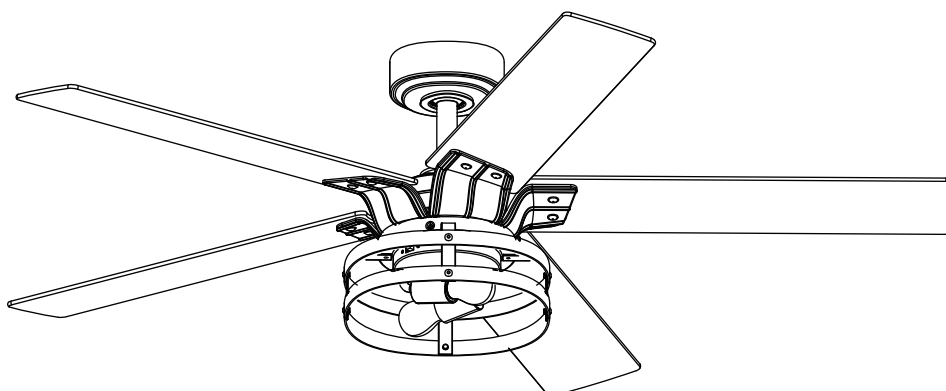
Assemble the light kit to the switch housing using the previously removed screws and securely tighten all three screws.

15



Install two (2) MAXIMUM 6.5W light bulbs (not included) into sockets by threading in a clockwise direction.

16



Whole structure

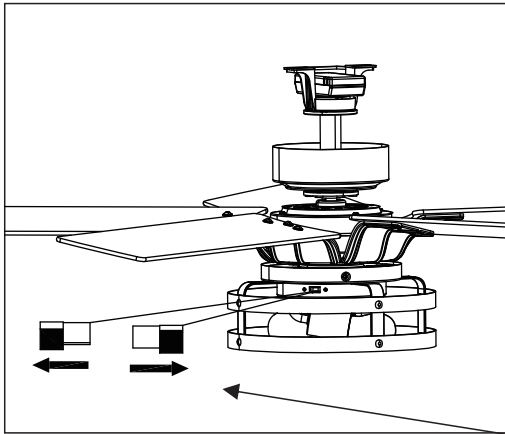


Parrot Uncle

F6321110V

Installation & Operating Instructions for the
Parrot Uncle Owner's Installation, Manual

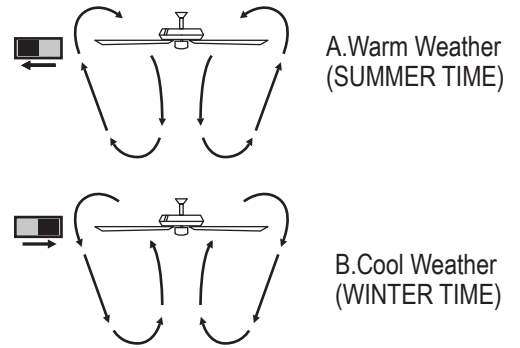
WARNING: SHUT POWER OFF AT FUSE OR CIRCUIT BREAKER



OPERATING YOUR FAN

The appropriate speed settings for warm or cool weather depends on factors such as the room size, ceiling height, and number of fans.

The slide switch controls the direction of the blades: forward (switch left) or reverse (switch right).



NOTE: Wait for the fan to stop before reversing the direction of the blade rotation

A. warm weather-(Forward) A Downward airflow creates a cooling effect This allows you to set your air conditioner on a higher setting without affecting your comfort.

B. Cool weather-(Reverse) An upward airflow moves warm air off the ceiling. This allows Reverse you to set heating unit on a lower setting without affecting your comfort.



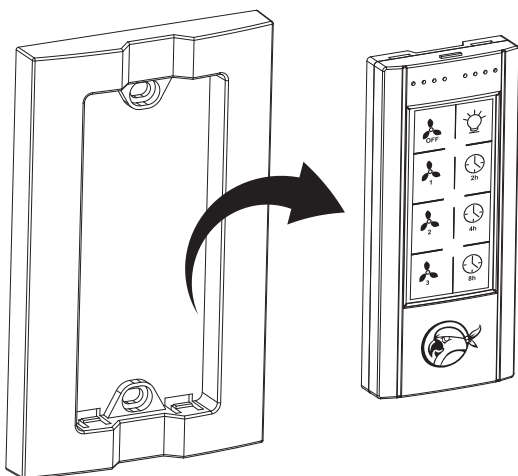
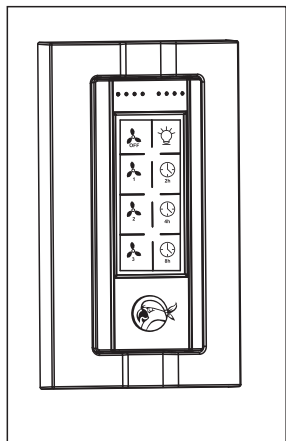
Parrot Uncle

F6321110V

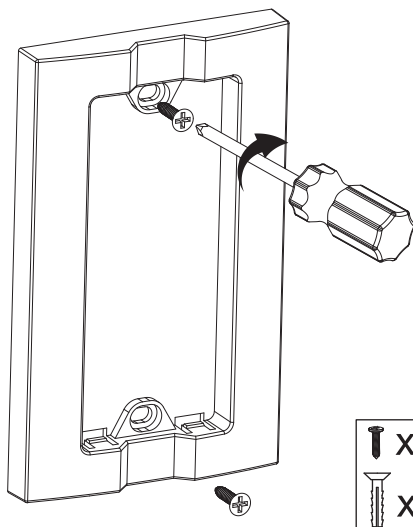
Installation & Operating Instructions for the
Parrot Uncle Owner's Installation, Manual

WARNING: SHUT POWER OFF AT FUSE OR CIRCUIT BREAKER

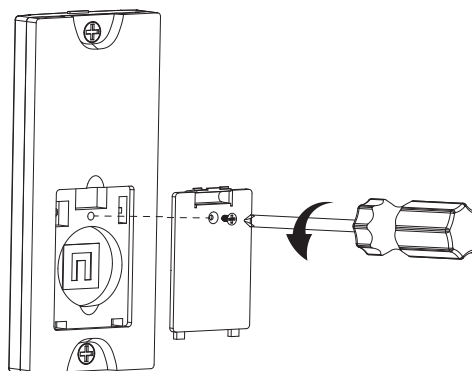
1



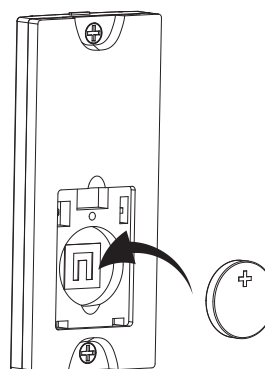
2



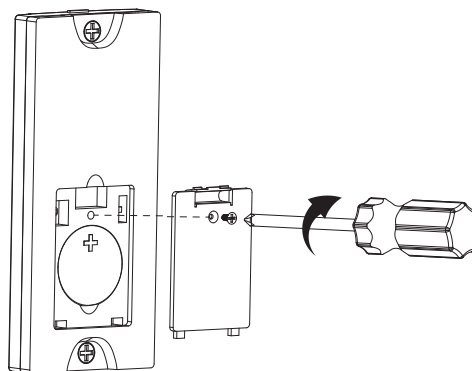
3



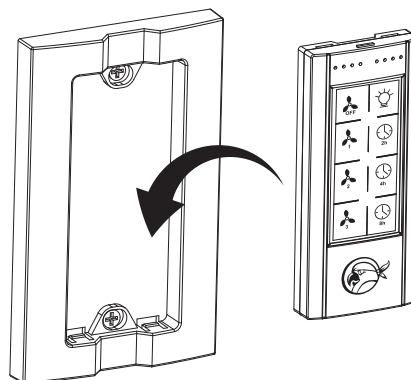
4



5



6





Parrot Uncle

F6321110V

Installation & Operating Instructions for the Parrot Uncle Owner's Installation, Manual

WARNING: SHUT POWER OFF AT FUSE OR CIRCUIT BREAKER

Remote controller GENERAL INFORMATION

INSTRUCTION OF INSTALLATION AND OPERATION

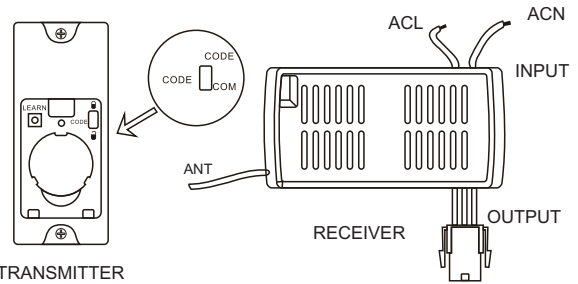
1. INSTALLING RECEIVER IN CEILING FAN

A. Safety precautions

1. WARNING: HIGH VOLTAGE! Disconnect power by removing fuse or switching off circuit breaker.
2. Do not use with solid state fans.
3. Electrical wire must meet all local and national electrical code requirements.
4. Supply for fan must be 110/120 volt, 60Hz, 3.5A
5. Maximum fan motor amps: 1.0.
6. Maximum light watts: 180 incandescent or ballast and LED.
7. To Reduce the risk of shock, this fan must be installed with a wall switch/control.

B. Installing receiver in fan

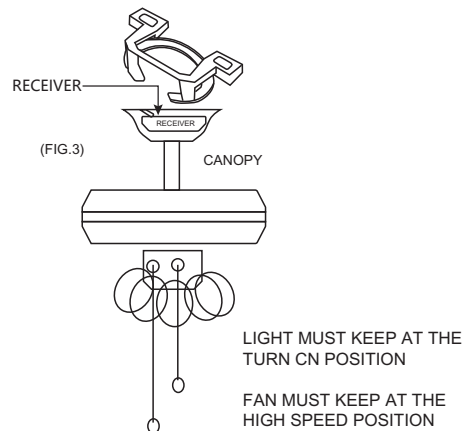
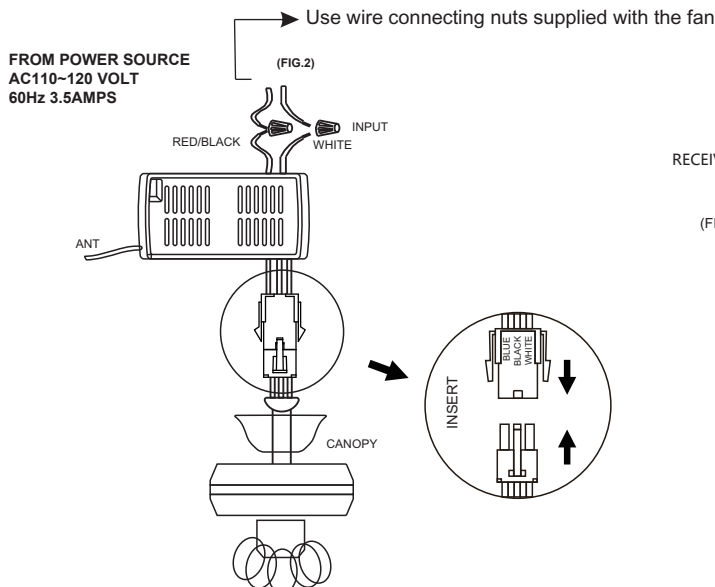
1. Remove power from the circuit.
2. Remove ceiling fan canopy from the mounting bracket.
3. Disconnect existing wiring between ceiling fan and Supply in electrical junction box.
4. Make connections as follows, using the wire nuts supplied.



CAUTION: Ceiling Angle Shall Not Exceed 30 Degrees. For Mounting Controller. Models GA030

CONNECT TO

Red/Black receiver wire(AC IN L).....Red supply wire
 White receiver wire(AC IN N).....White supply wire
 White receiver wire...White fan wire
 Black receiver wire...Black fan wire
 Blue receiver wire...Blue light wire



LIGHT MUST KEEP AT THE TURN ON POSITION
 FAN MUST KEEP AT THE HIGH SPEED POSITION

If other fans or supply wires are different color, have this unit installed by qualified licensed electrician.

- a. Push all connected wires up into junction box.
- b. Lay the brown antenna wire on top of the receiver, and put the receiver into the mounting bracket.
- c. Reinstall the canopy on the mounting bracket.
- d. Restore power.
- e. Install 3.0 volt battery, (To prevent damage to transmitter, remove the battery if not used for a long time).
- f. Store the transmitter away from excessive heat or humidity.
- g. This remote control unit is equipped with roll code combinations. In order to prevent possible interference from or to other remote units such as garage door openers, car alarm or security system. If you find that your fan and light kit go on and off without using your remote control, simply change the code combination in your transmitter and receiver.



Parrot Uncle

F6321110V

Installation & Operating Instructions for the Parrot Uncle Owner's Installation, Manual

WARNING: SHUT POWER OFF AT FUSE OR CIRCUIT BREAKER

2. OPERATING TRANSMITTER:

Operating the buttons on the panel of the transmitter.

3 key -for fan high speed.

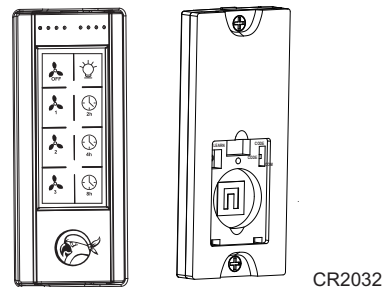
2 key-for fan medium speed.

1 key-for fan low speed.

OFF key-for fan off.

LIGHT key-for light on and off

2hr , 4hr , 8hr button to set the FAN sleep timer

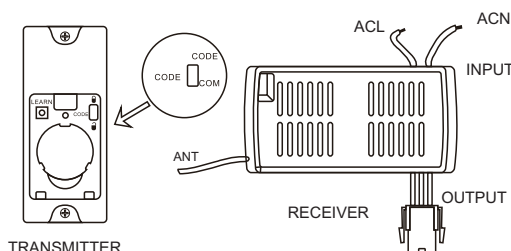


MODEL:GA030
OPERATION DISTANCE 20 FEET

YOUR REMOTE NOW HAS FULL CONTROL OF THE FAN AND LIGHT .

3. TROUBLE SHOOTING GUIDE

- Power to receiver?
- Receiver wired correctly?
- Fan manual speed control in highest position?
- Light kit switch turned on?
- Good battery in the transmitter?



If there are two or more ceiling fans installed in the same house, in order to prevent your ceiling fans from being affected by the remote control of the adjacent ceiling fans, first turn the switch in each remote control transmitter to the CODE(UP) position (see the schematic diagram FIG1) Remarks: The standard state of the transmitter is in the down code COM.

(Power-off means you need to use a wall switch to shut down the power of the ceiling fan, if you do not have a wall switch, please power off the whole room from the air circuit-breaker for each room)

After installing the remote control receiver on the ceiling fan

- Turn on the power of the 1# ceiling fan receiver (the power of the 2# receiver is kept in a power-off state), within 30 seconds after the fan power is turned on, press the LEARN button corresponding to the 1# transmitter, then The receiver will learn the transmitter code. When the transmitter code is learned successfully, the light of the ceiling fans will flash twice, and then it can be used normally..
 - Turn on the power of the 2# ceiling fan receiver (the power of the 1# receiver is kept in a power-off state), within 30 seconds after the fan power is turned on, press the LEARN button corresponding to the 2# transmitter, then The receiver will learn the transmitter code. When the transmitter code is learned successfully, the light of the ceiling fans will flash twice, and then it can be used normally.
- And so on, only one ceiling fan is powered on each time the corresponding transmitter learns.

After the 1# and 2# remote control transmitters have been successfully learned, turn on the power of the two ceiling fans. At this time, the 1# transmitter and the 2# transmitter can be used separately for one ceiling fan.

FCC Statement:

This device complies with Part 15 of the FCC Rules. Operation is subject to the following two conditions.

This device may not cause harmful interference.

This device must accept any interference received, including interference that may cause undesired operation.

Changes or modifications not expressly approved by the party responsible for compliance could void the user's authority to operate the equipment.

NOTE: This equipment has been tested and found to comply with the limits for a Class B digital, pursuant to Part 15 or the FCC Rules. These limits are designed to provide reasonable protection against harmful interference in a residential installation. This equipment generates, uses and can radiate radio frequency energy and, if not installed and used in accordance with the instructions, may cause harmful interference to radio communications,

However, there is no guarantee that interference will not occur in a particular installation. If the equipment does cause harmful interference to radio or television reception, which can be determined by turning the equipment off and on, the user is encouraged to try to correct the interference by one or more of the following measures:

- Reorient or relocate the receiving antenna.
- Increase the separation between the equipment and receiver.
- Connect the equipment into an outlet on a circuit different from that to which the receiver is connected.
- Consult the dealer or an experienced radio/ TV technician for help.

WARNING

Do NOT install this fan with variable speed wall control or wall-mounted dimmer switch. It will permanently damage the fan's remote control and cause the fan's function to fail.



NO Variable speed wall control



NO Dimmer switch



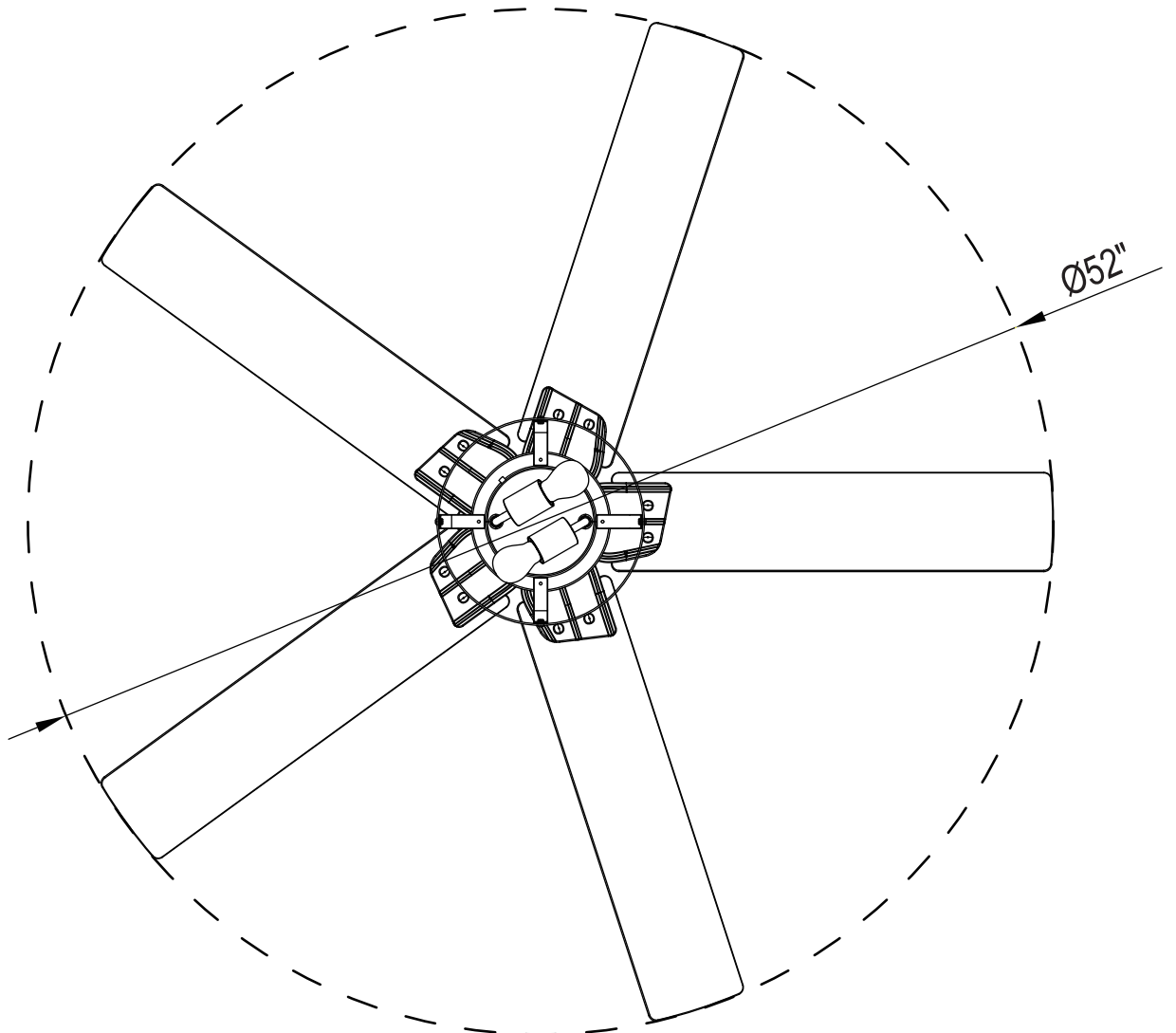
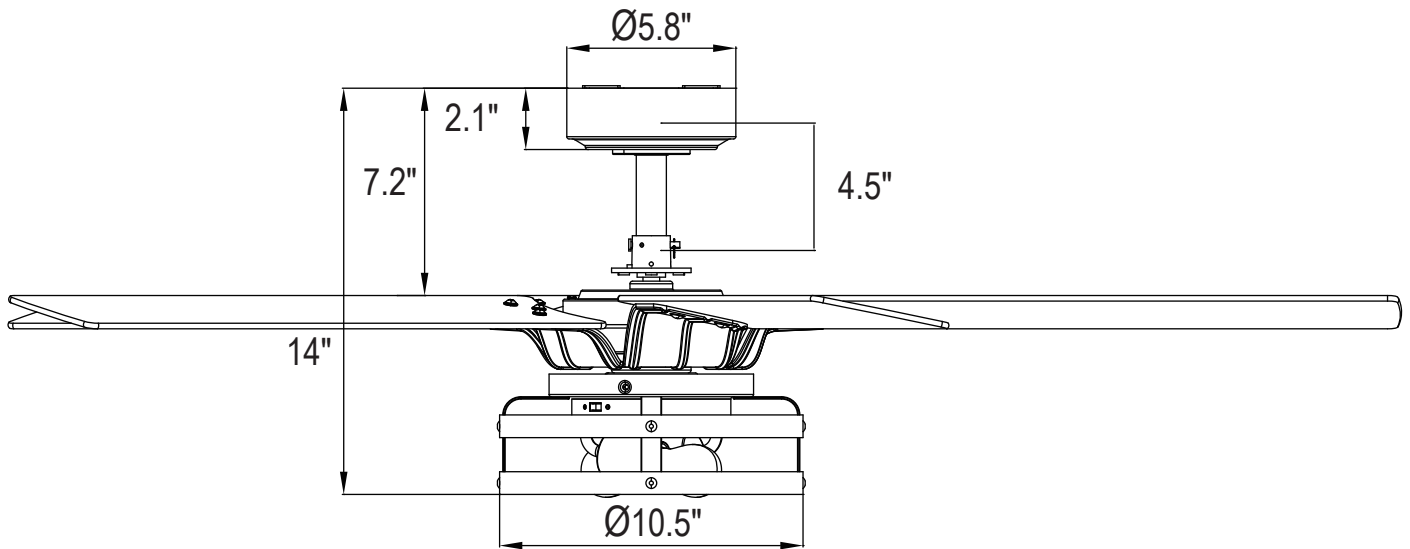
Parrot Uncle

F6321110V

Installation & Operating Instructions for the
Parrot Uncle Owner's Installation, Manual

WARNING: SHUT POWER OFF AT FUSE OR CIRCUIT BREAKER

SIZE OF PRODUCT





Parrot Uncle

F6321110V

Installation & Operating Instructions for the
Parrot Uncle Owner's Installation, Manual

WARNING: SHUT POWER OFF AT FUSE OR CIRCUIT BREAKER

TROUBLESHOOTING GUIDE

1.FAN / REMOTE IS NOT WORKING

Ensure the remote is within the 20 foot range of the receiver
To reset the remote control: 1) Turn off power to fan using the wall switch or circuit breaker.
2) Remove batteries from remote. 3) Wait 10 seconds. 4) Replace batteries and turn power on
Check batteries to insure they are good and oriented correctly
Check to make sure the frequency switches (DIP Switches) from the remote to the receiver are set to the same frequency
Check the main and branch circuit fuses or breakers
If using a Variable Speed Wall Switch,ensure it is specifically designed for use with a ceiling fan.
Check the line wire connections to the fan and the switch wire connections in the switch housing per the instructions
If fan still does not work, please contact Customer Service Support@Parrot Uncle.com

2.THE FAN IS NOISY

Make sure all motor housing screws are tight
Make sure the screws that attach fan blade to motor are tight
Make sure the wire nut connectors are not rattling against each other or the interior wall of the switch housing
Allow 24-hour break in period. Most noises associated with the new fan may disappear during this time
if using a ceiling light kit,make sure the glassware is secured tightly
Make sure there is a short distance/gap from the ceiling to the top of the canopy. The canopy should not touch the ceiling!
Make sure your ceiling box is secure and that the rubber insulating pads are used between the mounting bracket and outlet box

3.THE FAN WOBBLES

Verify all blades and blade bracket screws are secure (most fan wobble problems are caused by loose parts).Once fan is properly installed,run the ceiling fan for 10 minutes to let the fan self-adjust.
If wobble occurs after running the fan for 10 minutes, verify blade level using the following process: a) select a point on the ceiling above the tip of one of the blades. Then select the fan blade and measure from the center of the selected blade to point on the ceiling. Rotate the fan until the next blade is positioned and repeat the measurement using the same point from the ceiling for every blade. Measurements should be within 1/8 inch. b) If all deviation are less than 1/8 inch and the fan continues to wobble, please contact Customer Service Support@Parrot Uncle.com to order a complimentary Blade Balancing Kit
-If all deviation are less than 1/8 inch and the fan continues to wobble, please contact Customer service Support@Parrot Uncle.com to order a complimentary Blade Balancing Kit.

4.LIGHT IS NOT WORKING

Check Bulb to make sure it is installed correctly
Remove non-working bulb and replace with a bulb that is known to be a good working bulb
To reset the remote control: 1) Turn off power to fan using the wall switch or circuit breaker. 2) Remove batteries from remote. 3) wait 10 seconds. 4) Replace batteries and turn power on



Parrot Uncle

F6321110V

Installation & Operating Instructions for the
Parrot Uncle Owner's Installation, Manual

WARNING: SHUT POWER OFF AT FUSE OR CIRCUIT BREAKER

AFTER INSTALLATION

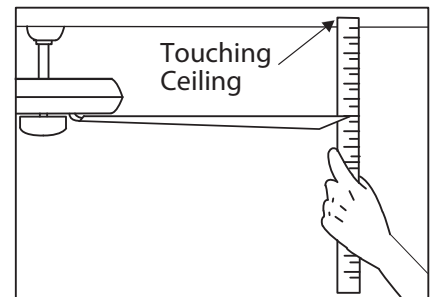
Wobble

The fan blades have been adjusted in the factory to minimize any wobble

Note: ceiling fans tend to move during operation due to the fact that they are mounted on a rubber grommet. If the fan was mounted rigidly to the ceiling, it would cause excess vibration. Movement of a few centimeters is quite acceptable and does not suggest any problem to reduce the fan Wobble: Please check that all screws which secured the mounting bracket and downrod are secure.

Balancing a wobbling ceiling fan:

1. Check that all blade and blade arm screws are secure.
2. Most fan wobbling problems are caused when blade levels are unequal. Check this level by electing a point on the ceiling above the tip of one of the blades. Measure this distance. Rotate the fan until the next blade is positioned for measurement. Repeat for each blade. The distance deviation should be equal within 1/8"(0.32cm).
3. If the blade wobble is still noticeable, Interchanging two adjacent (side by side) blades can redistribute the weight and possibly result in smoother operation.



Warning: To reduce the risk of personal injury, Do not bend the blade arm while installing, Balancing the blades, or cleaning the fan. Do not insert foreign objects between rotating fan blades.

Noise

When it is quiet (especially at night) you may hear occasional small noises. This is normal.

Please allow a 24-hour "breaking-in" period, Most noises associated with a new fan disappear during the time.

Care and cleaning

1. Periodic cleaning of your ceiling fan is the only maintenance required. Use a soft brush or lint free cloth to avoid scratching the paint finish. Please make sure to turn off electricity power before you clean your fan
2. Do not use water when cleaning your ceiling fan. It could damage the motor or the blades and create the possibility of an electrical shock.
3. Motor has permanently lubricated ball bearing. No need to oil.

Note: Make sure the power is off at the electrical panel box before you attempt any cleaning or repairs.



Parrot Uncle