

Shoe Cord for Canon Cameras RF-CANTTL

Package contents

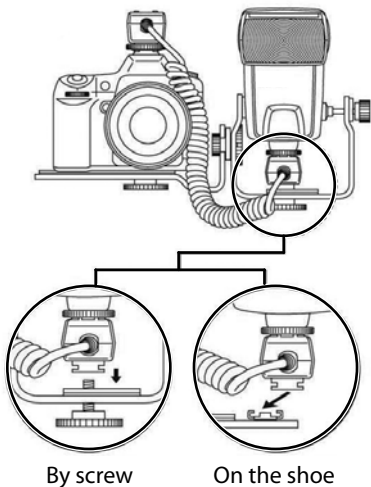
- CANON Shoe Cord
- *Quick Setup Guide*

Features

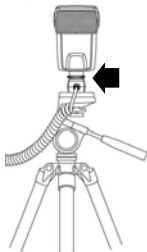
- Operate your hot shoe mount flash remotely.
- Use on-camera functions without being attached to the camera.
- Ideal for most photography, especially portrait or merchandise.
- Single TTL use only.

Using your CANON shoe cord

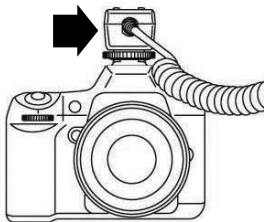
- 1 Turn off the camera.
- 2 Attach the mounting foot end to a tripod or other secure base.



- 3 Attach the flash to the hot shoe on the top of the mounting foot end.



- 4 Attach the other end of the cord to the hot shoe on the top of your DSLR camera.



Note: The other hot shoe can be used to mount other non-TTL accessories.

- 5 Set up the camera and flash for off-camera shooting.

Specifications

Model	RF-CANTTL
Compatible camera	Canon only
Compatible flash range	Recommended for Canon TTL flashes. (Also works with most non-TTL flashes, but will not support advanced features.)
Cord length	9.84 ft. (3 m) (extended length)
Net weight	4.48 oz. (127 g)

One-year limited warranty

Visit www.rocketfishproducts.com for details.

Contact Rocketfish:

For customer service, call
1-800-620-2790

www.rocketfishproducts.com

© 2012 BBY Solutions, Inc. All Rights Reserved.

Distributed by Best Buy Purchasing, LLC

7601 Penn Avenue South, Richfield, MN USA 55423-3645

ROCKETFISH is a trademark of BBY Solutions, Inc. All other products and brand names are trademarks of their respective owners.