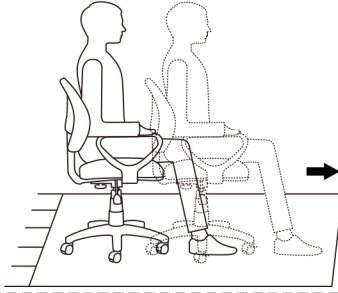


Precautions for the use of swivel chairs:

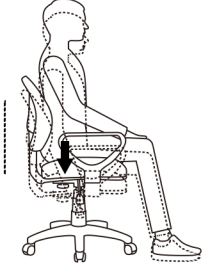
1 Please keep your center of gravity level and do not tilt or rock when sitting on the chair, and do not lean back and forth to prevent falling;



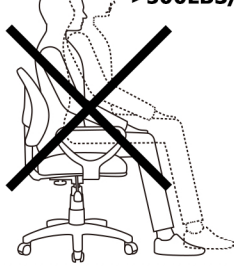
2 When sliding the seat on uneven, smooth, hard ground (such as carpet), please hold your chair to stay safe and not fall;



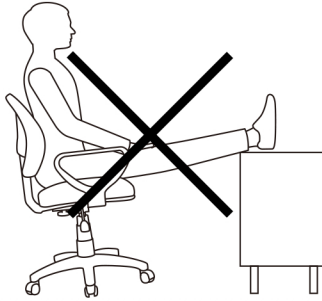
3 Please keep your center of gravity down when lifting and lowering the product to make it easier to adjust the seat height;



4 Do not use chairs above the maximum load capacity of 300lbs/135kg;



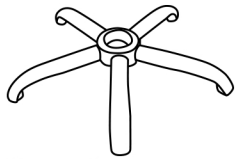
5 Do not lean too much on the backrest to prevent falling;



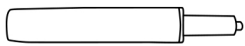
Part List



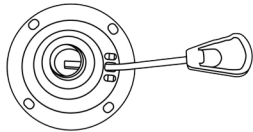
A Cushion×1



B Base×1



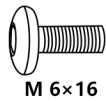
C Gas lift×1



D Adjustment handle×1



E Wheel×5



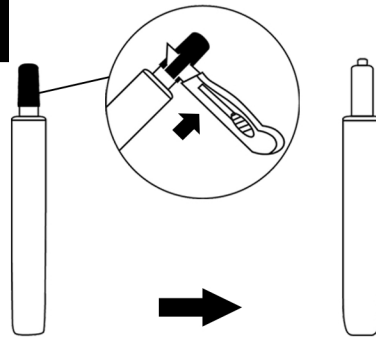
M 6×16

F Screw×4

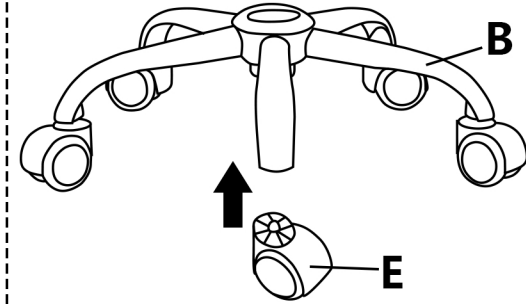


G Wrench×1

1.

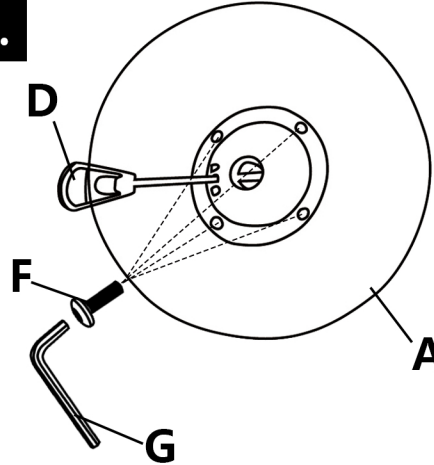


2.

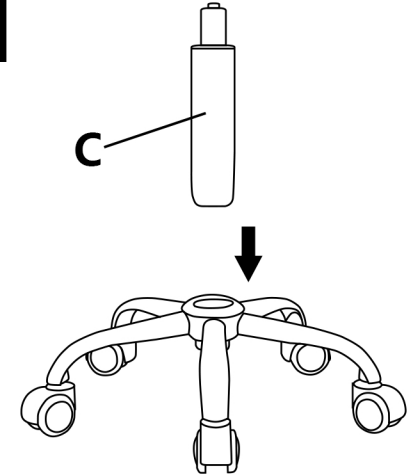


★ Caution: Remove the plastic cap before assembly. This is a part of packaging only. Sometimes the cap cracked firmly inside the seat plate, you'd better to remove it by tools like knife scissor.

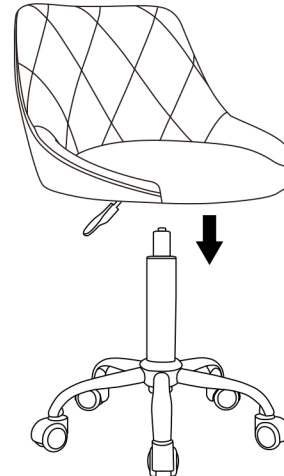
3.



4.



5.



6.

