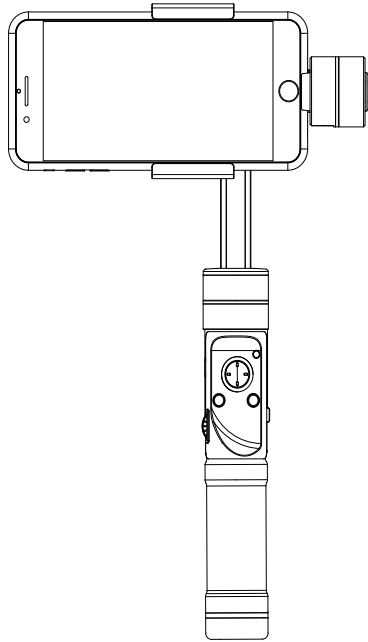
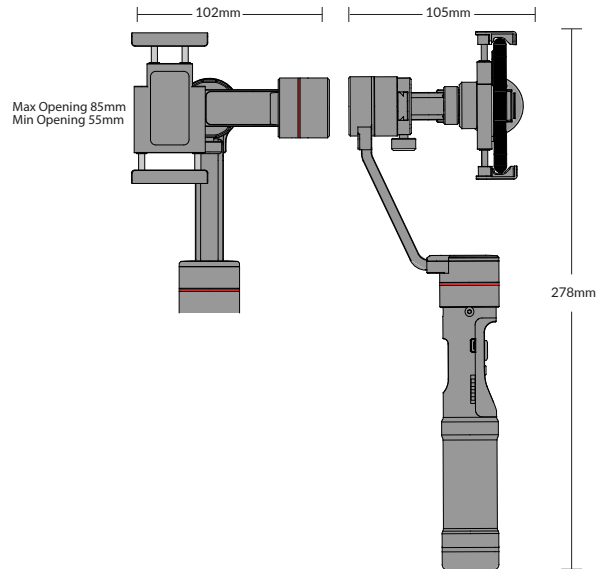


EVO

SP-PRO GEN.2



Technical Specs



| | |
|-----------------------------|---------------------------|
| Dimensions: | Length: 105mm |
| | Width: 102mm |
| | Height: 278mm |
| Operating Current: | 80mA-6000mA |
| Operating Temperature: | 5F°-115F° (0C°-45C°) |
| Run-Time: | 3-4h |
| Gimbal Weight: | 265g (no batteries) |
| Camera Payload: | 130g-225g |
| Tilt, Roll, Pan Axis Range: | 360° (unlimited rotation) |
| Battery: | Lithium Ion |
| Battery Type: | NCR 18650 |
| Battery Voltage: | 3.7V |
| USB Charger Current: | 800mAh |
| USB Charger Input Voltage: | 5V USB |

Shipping Details

| | |
|--------------------------------|-----------------------------|
| UPC (GS1) | 856090007050 |
| HST CODE | 8525.80.10 |
| Product Dimensions (mm) | 134 x 97 x 303 (W x D x H) |
| Product Weight (grams) | 440g |
| Product Packaging Size (mm) | 361 x 151 x 63 (L x W x H) |
| Product Package Weight (grams) | 780g |
| Cartion Size (mm) | 355 x 342 x 410 (L x W x H) |
| Carton Quantity | 10 Units |
| Carton Weight (Kg) | 13kg / Carton |

Lithium Battery Information

| | |
|-----------------------------------|--------------------------|
| Battery Model | IMR-26650 |
| Size | 26mm x 66.4mm (Dia. X L) |
| Total Number of Batteries | 1 |
| HAZMAT UN# | UN3481 |
| # of Batteries in Product | 1 |
| # of Batteries Outside of Product | 0 |
| Number of Cells | 1 |
| Lithium Content (grams) | 1.38g |
| Watt Hours (Wh) per Battery | 17.02Wh |

