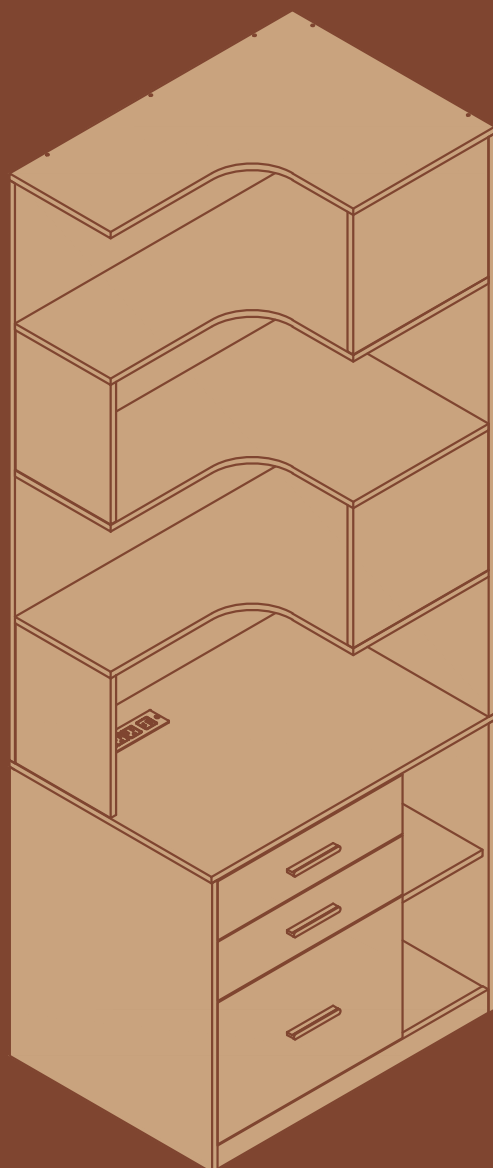


ASSEMBLY INSTRUCTION



Bookcase

INTRODUCTION

Thank you for purchasing our products. Please read the instructions carefully before installation and keep it in a safe place for future reference. If you need any assistance or support, please feel free to contact our customer support team.

PRECAUTIONS

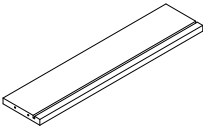
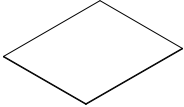
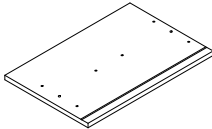
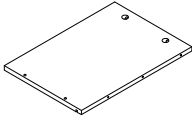
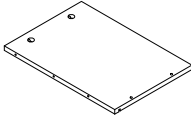
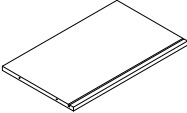
1. There are many components and accessories in the package. Each component and accessory is labeled with a letter or a number, check carefully before using any of them. Keep them away from children to prevent accidents.
 2. Please install the product on a clean and soft underlay (such as carpet or cardboard) to avoid scratching or damaging the surface of the product.
 3. The main components of the product is relatively heavy. Please pay attention to safety during installation.
 4. The product is not stable during installation. Please do not move it randomly before it is completely installed.
 5. If you have any questions during installation, please contact the customer service in time.
-
- * Please be sure to follow the installation steps in the manual to avoid unnecessary losses caused by improper installation.
 - * If you need further assistance, please contact the customer service online.

Parts List

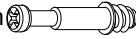

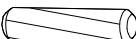
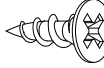
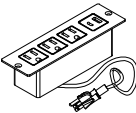
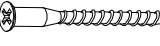

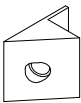

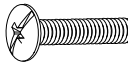
ID	Parts	QTY
1		1
2		1
3		1
4		2
5		1
6		2
7		2
8		1
9		1
10		1


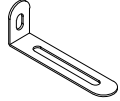
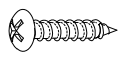


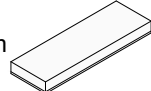
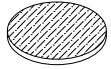
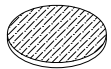

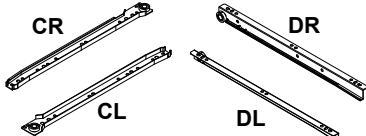
ID	Parts	QTY
11		1
12		1
13		1
14		1
15		1
16		1
17		1
18		2
19		2
20		2

Hardware List

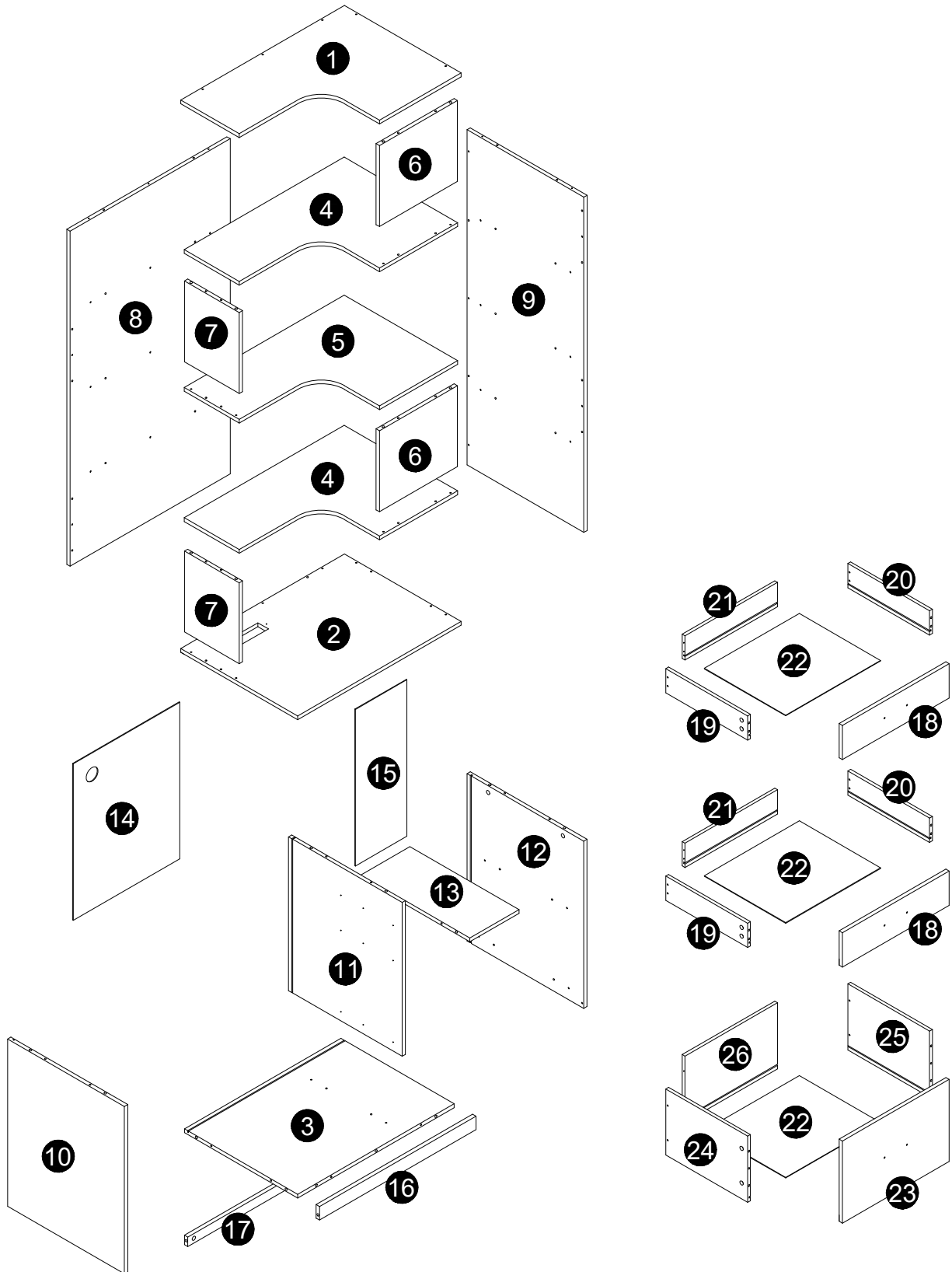
ID	Parts	QTY
21		2
22		3
23		1
24		1
25		1
26		1

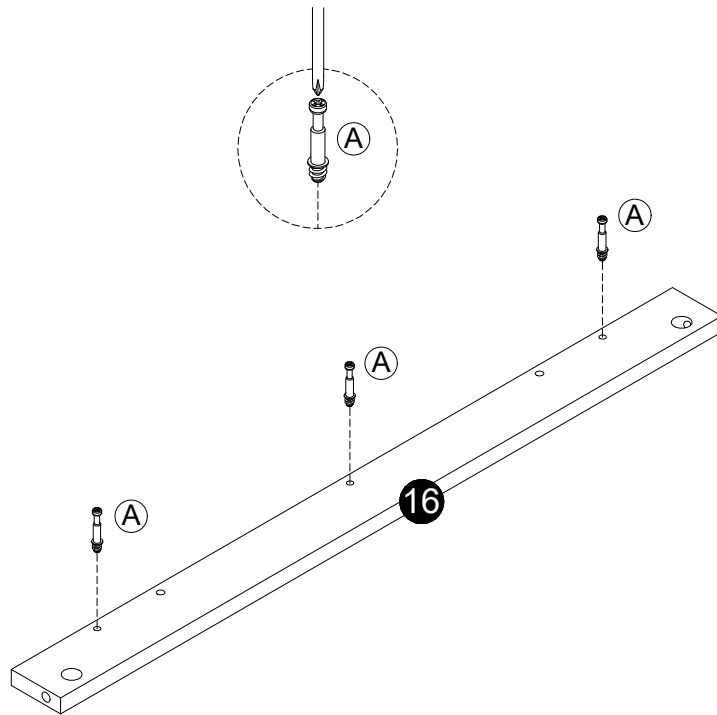
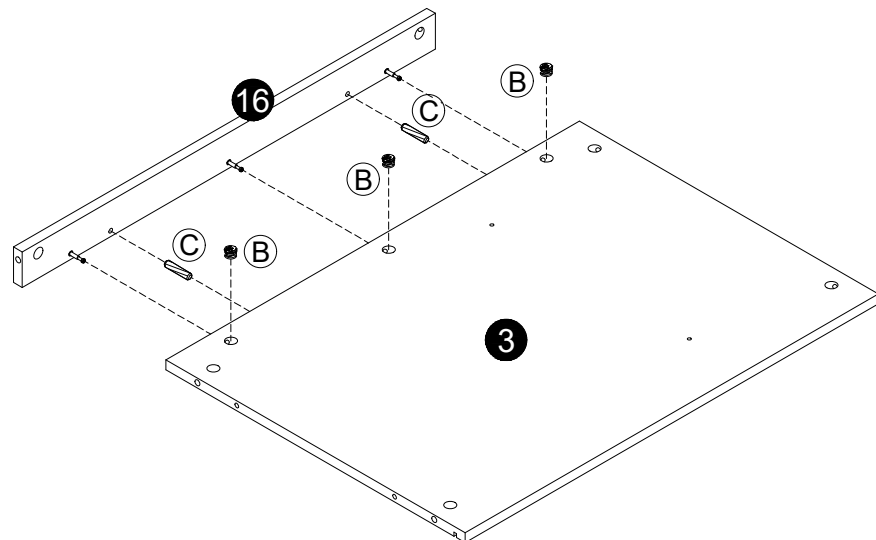
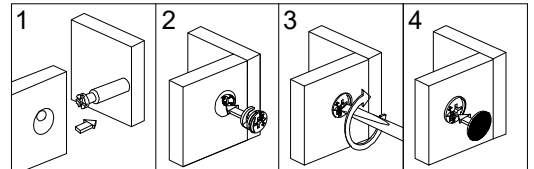
Hardware List

ID	Parts	QTY
A	Ø6*33.5mm 	56+5
B	Ø15*9.5mm 	56+5
C	Ø6*30mm 	66+6
D	Ø3.5*12mm 	38+3
E		1
F	Ø5*50mm 	27+2
G	Ø3*17mm 	8
H		8
I	Ø4*38mm 	12+1
J	Ø4*19mm 	6

ID	Parts	QTY
K		3
L		2
M	Ø4*12mm 	4
N	Ø6*30mm 	2
O	Ø4*35mm 	2
P	45*12*3mm 	4
Q	Ø20 	36+3
R	Ø20 	20+2
S		1
	 CR DR CL DL	3SET

Parts List



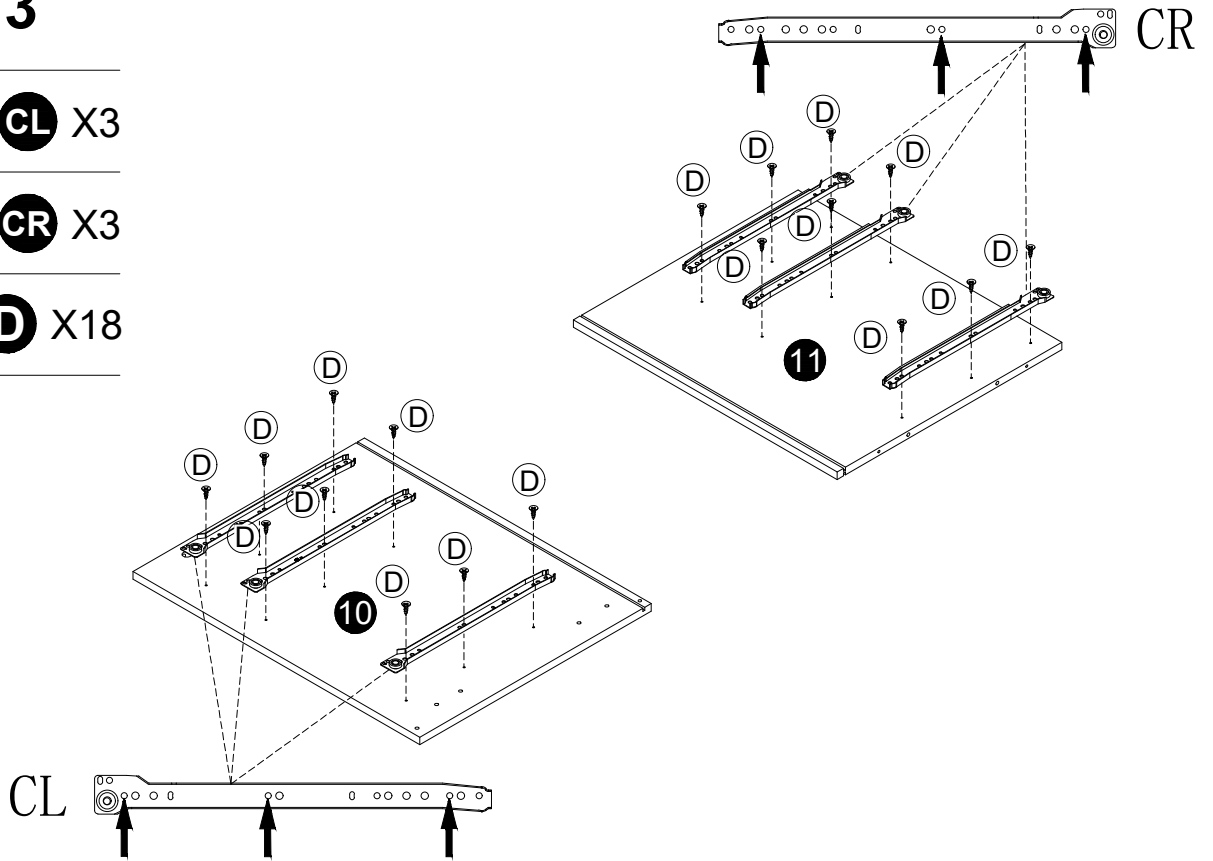
STEP 1 **A** X3**STEP 2** **B** X3 **C** X2

STEP 3

CL **CL** X3

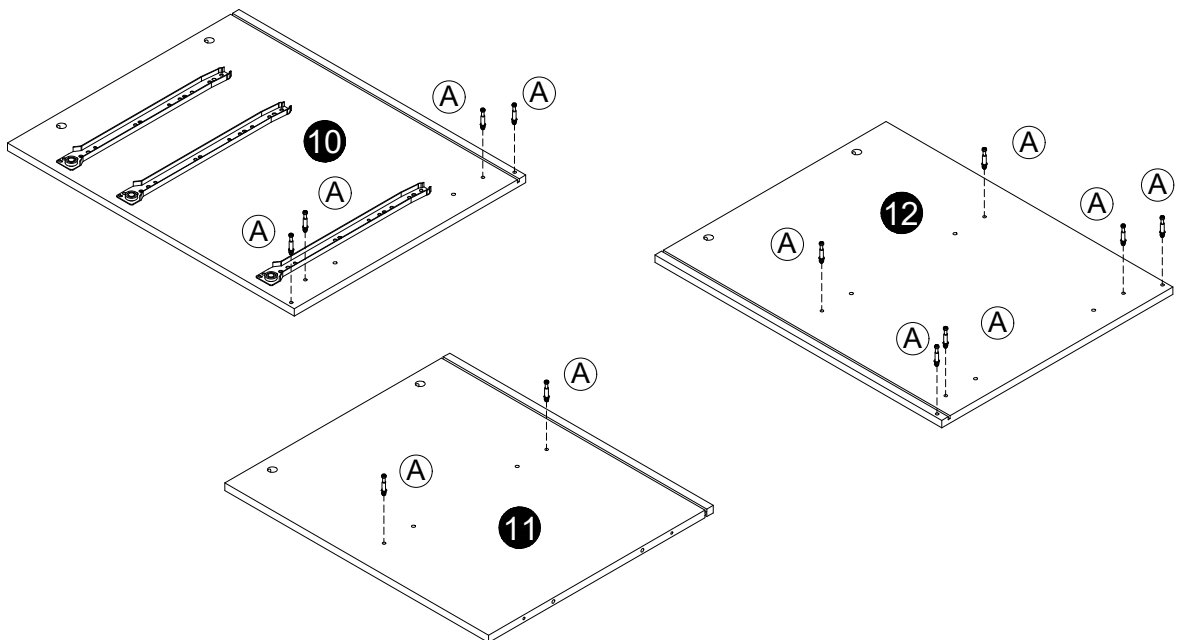
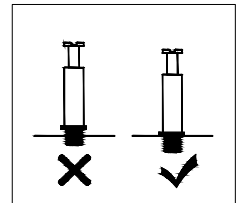
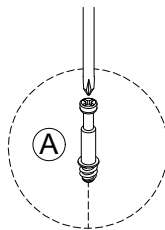
CR **CR** X3

D X18



STEP 4

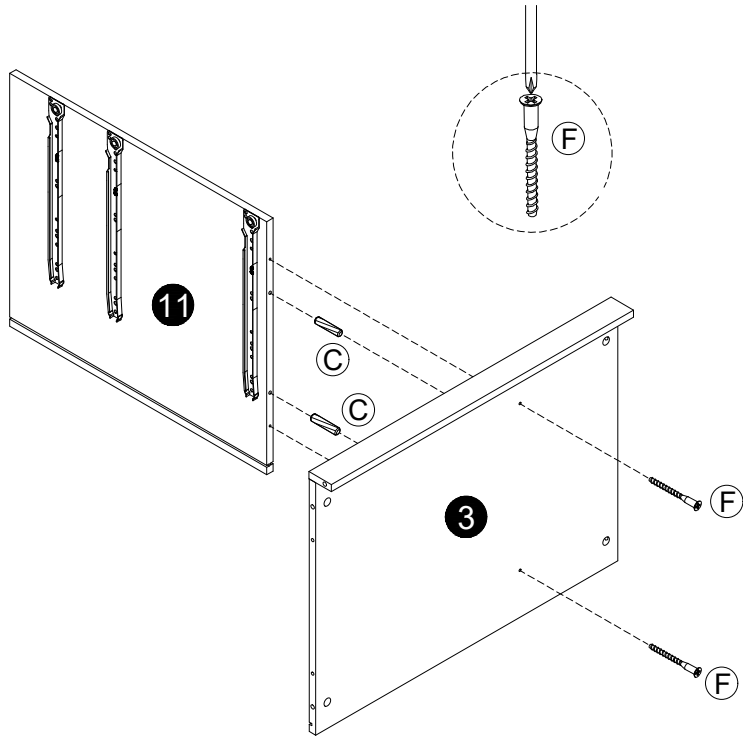
A X12



STEP 5

 **F** X2

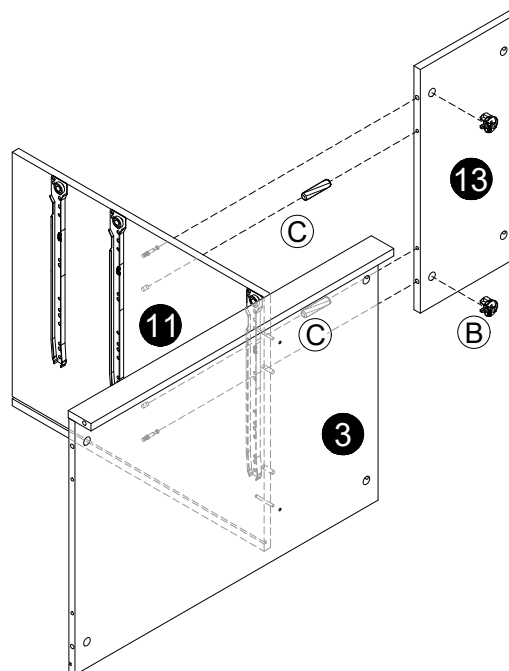
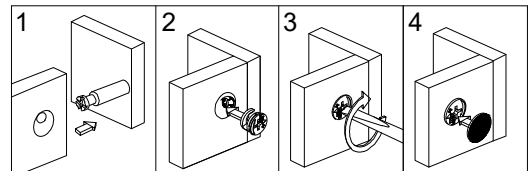
 **C** X2



STEP 6

 **B** X2

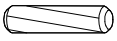
 **C** X2



STEP 7



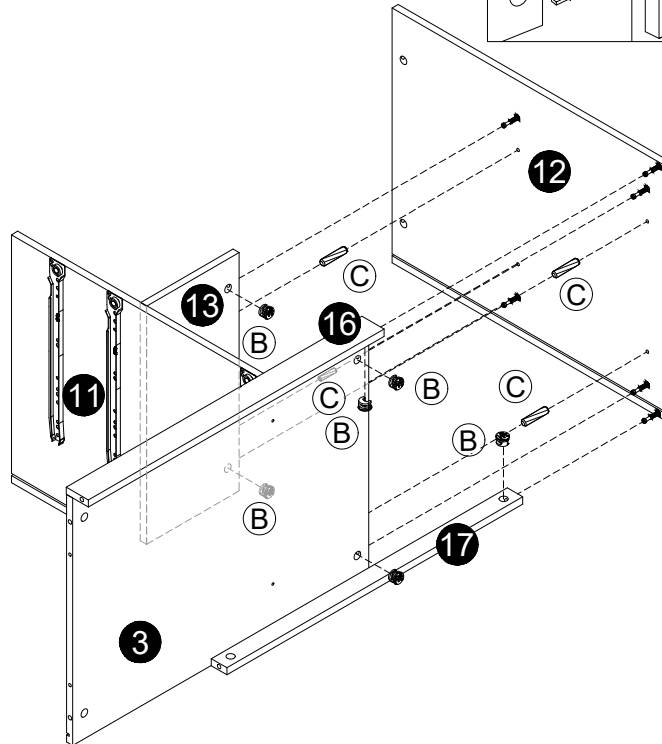
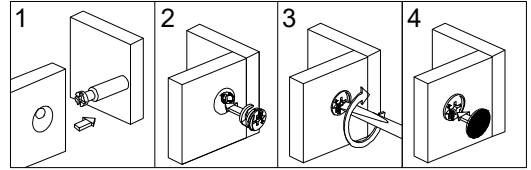
B X6



C X4



CAUTION: Heavy! You may need assistance with this step



STEP 8



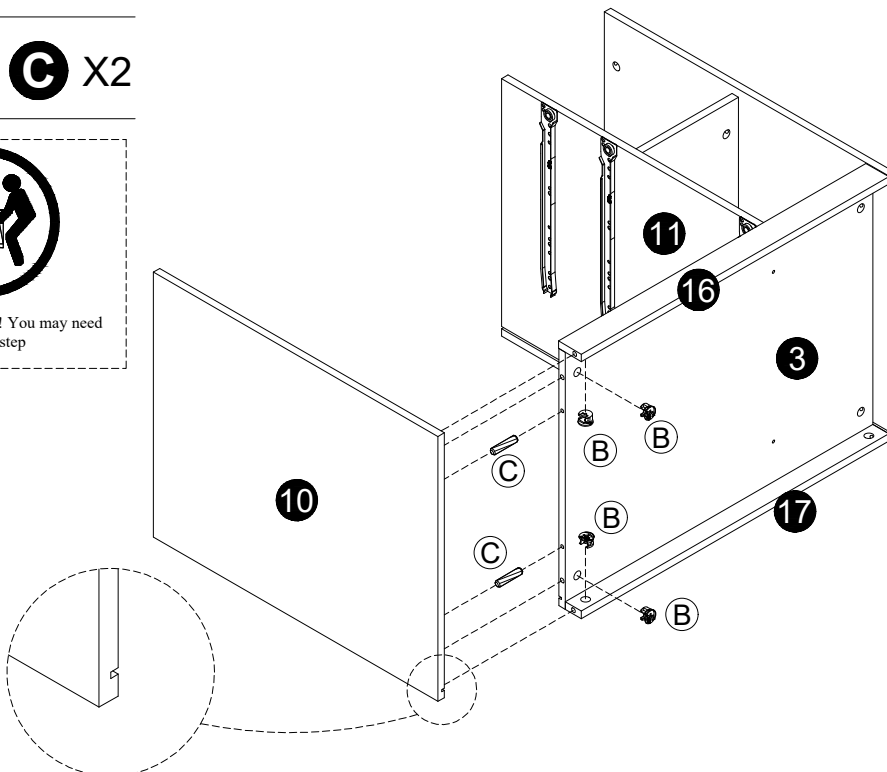
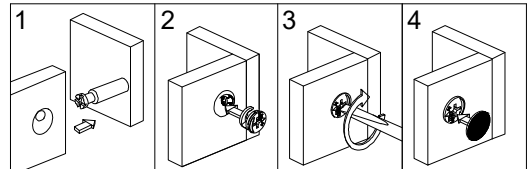
B X4



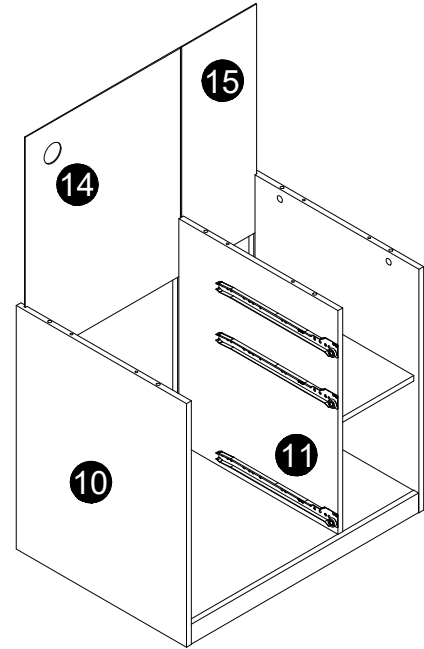
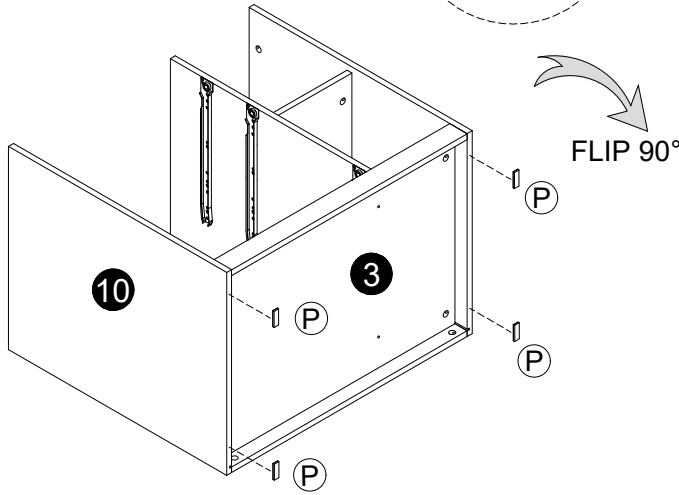
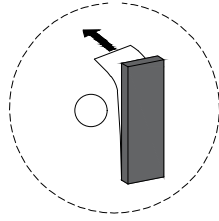
C X2



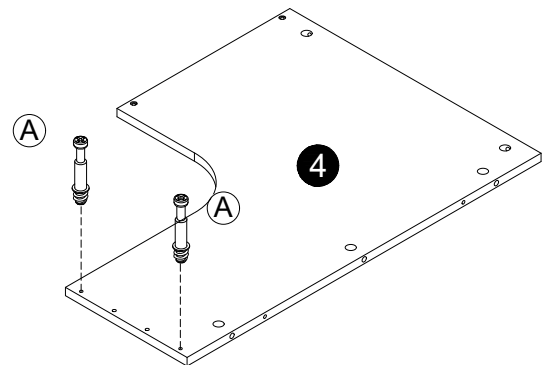
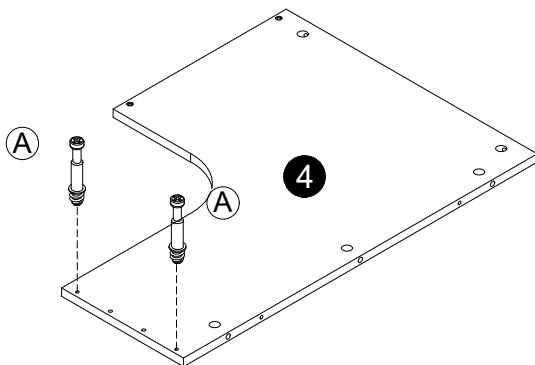
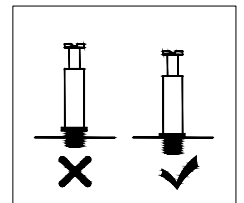
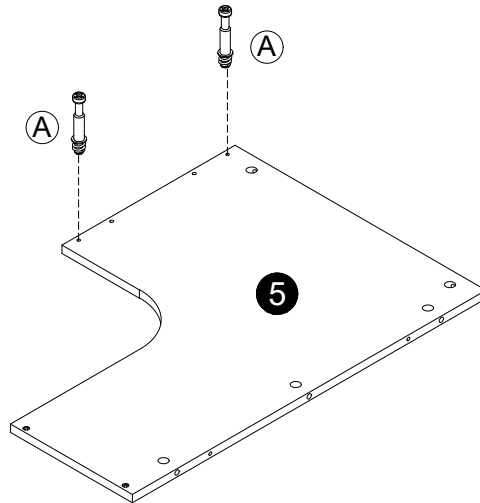
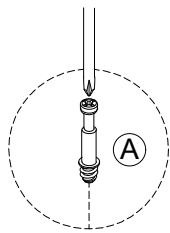
CAUTION: Heavy! You may need assistance with this step



STEP 9



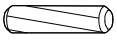
STEP 10



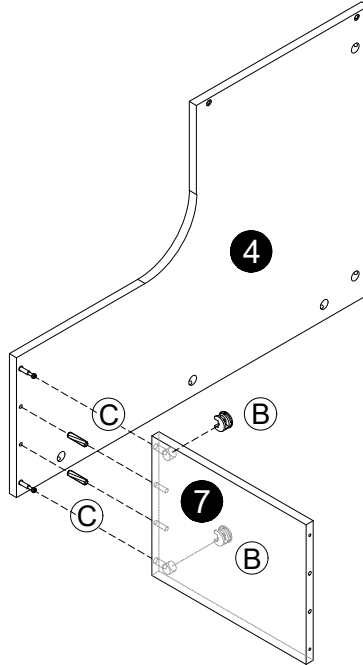
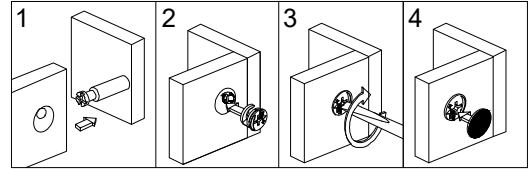
STEP 11



B X2

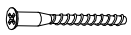


C X2

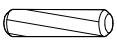


CAUTION: Heavy! You may need assistance with this step

STEP 12



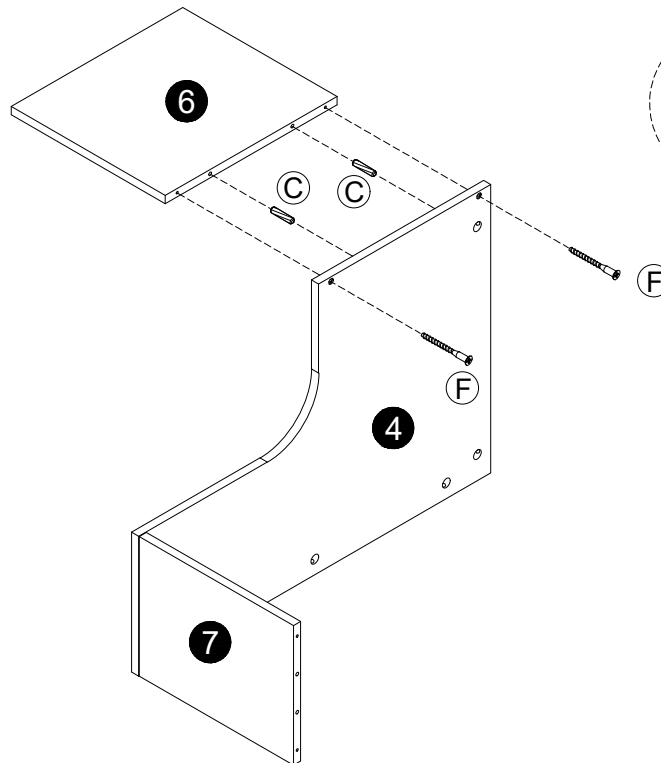
F X2



C X2



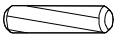
CAUTION: Heavy! You may need assistance with this step



STEP 13



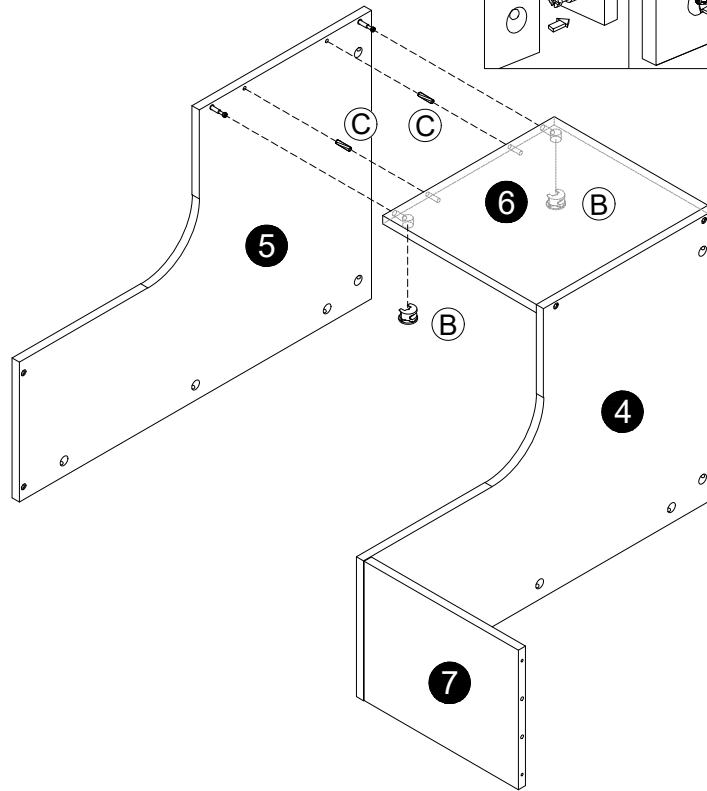
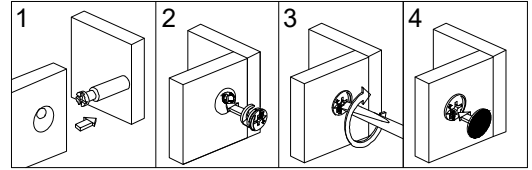
B X2



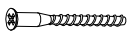
C X2



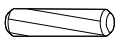
CAUTION: Heavy! You may need assistance with this step



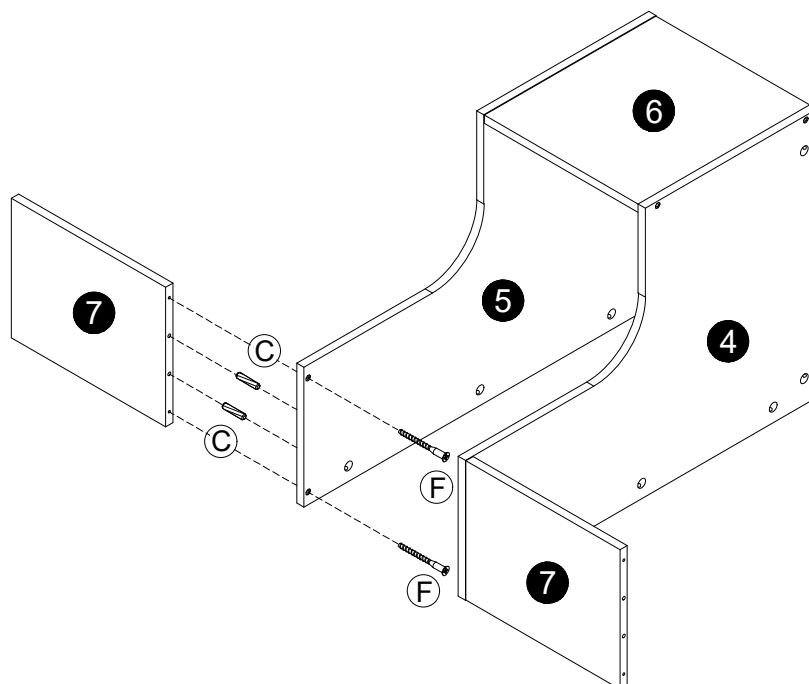
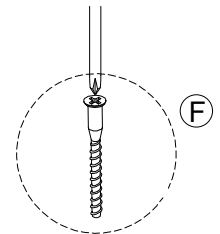
STEP 14



F X2



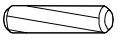
C X2



STEP 15



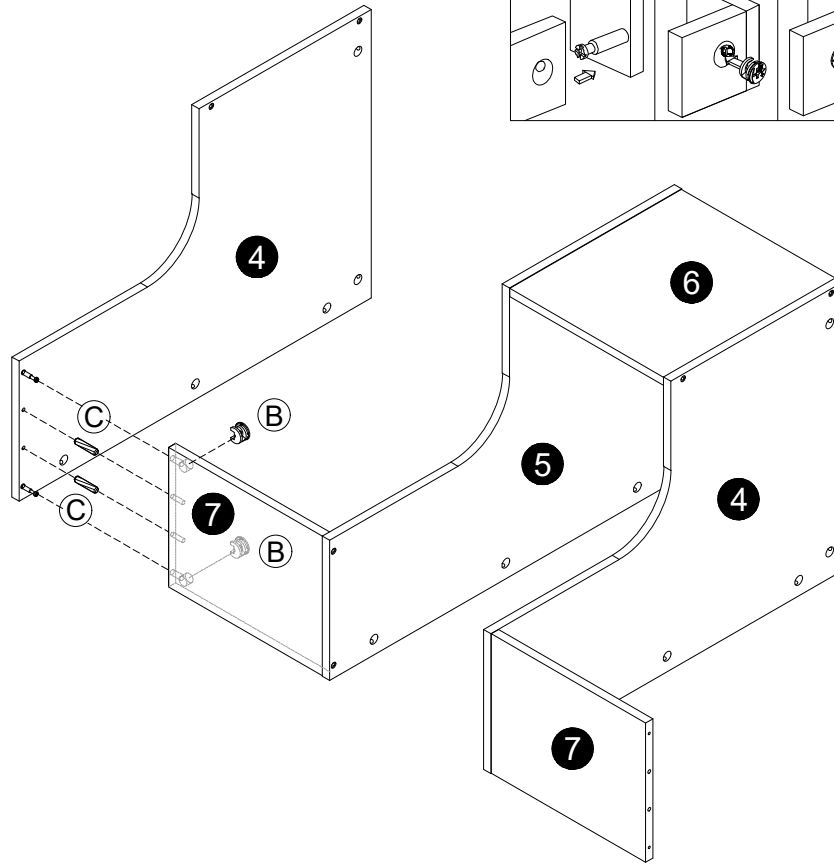
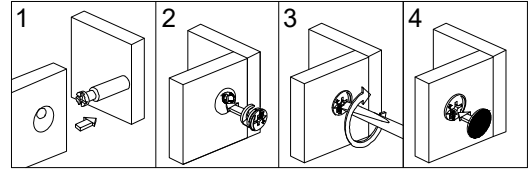
B X2



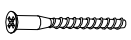
C X2



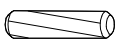
CAUTION: Heavy! You may need assistance with this step



STEP 16



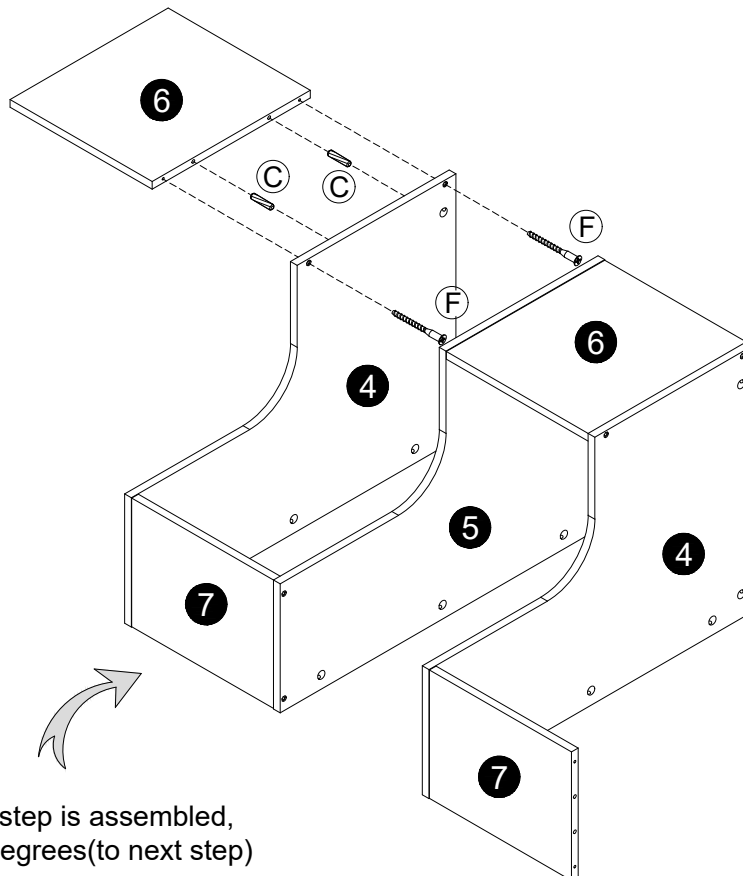
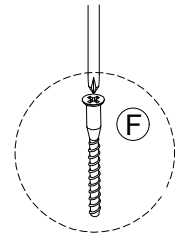
F X2



C X2



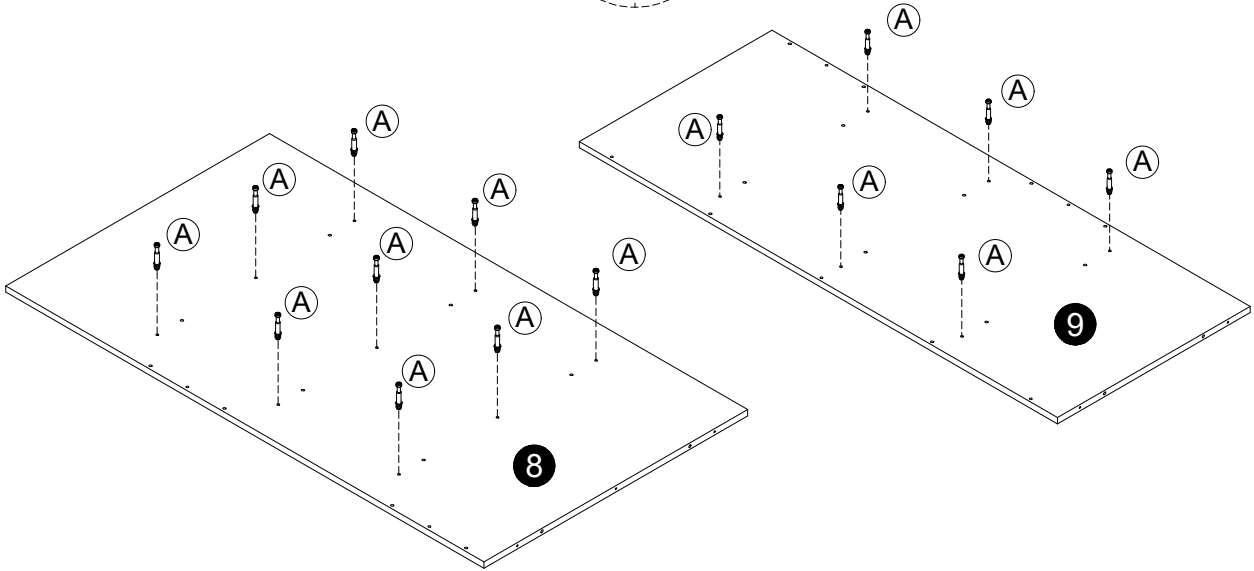
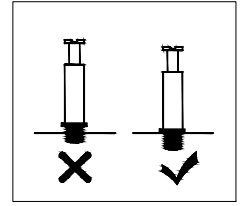
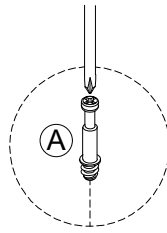
CAUTION: Heavy! You may need assistance with this step



After this step is assembled, flip it 90 degrees (to next step)

STEP 17

 **A** X15

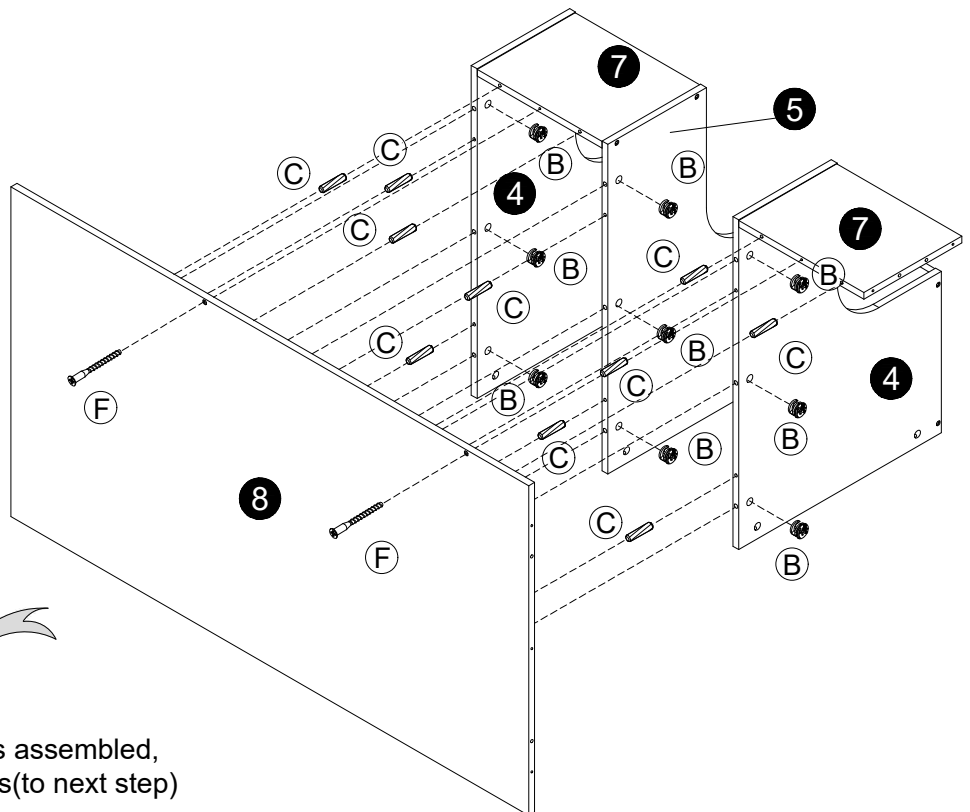


STEP 18

 **B** X9

 **C** X10

 **F** X2

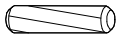


After this step is assembled,
flip it 90 degrees(to next step)

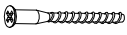
STEP 19



B X6



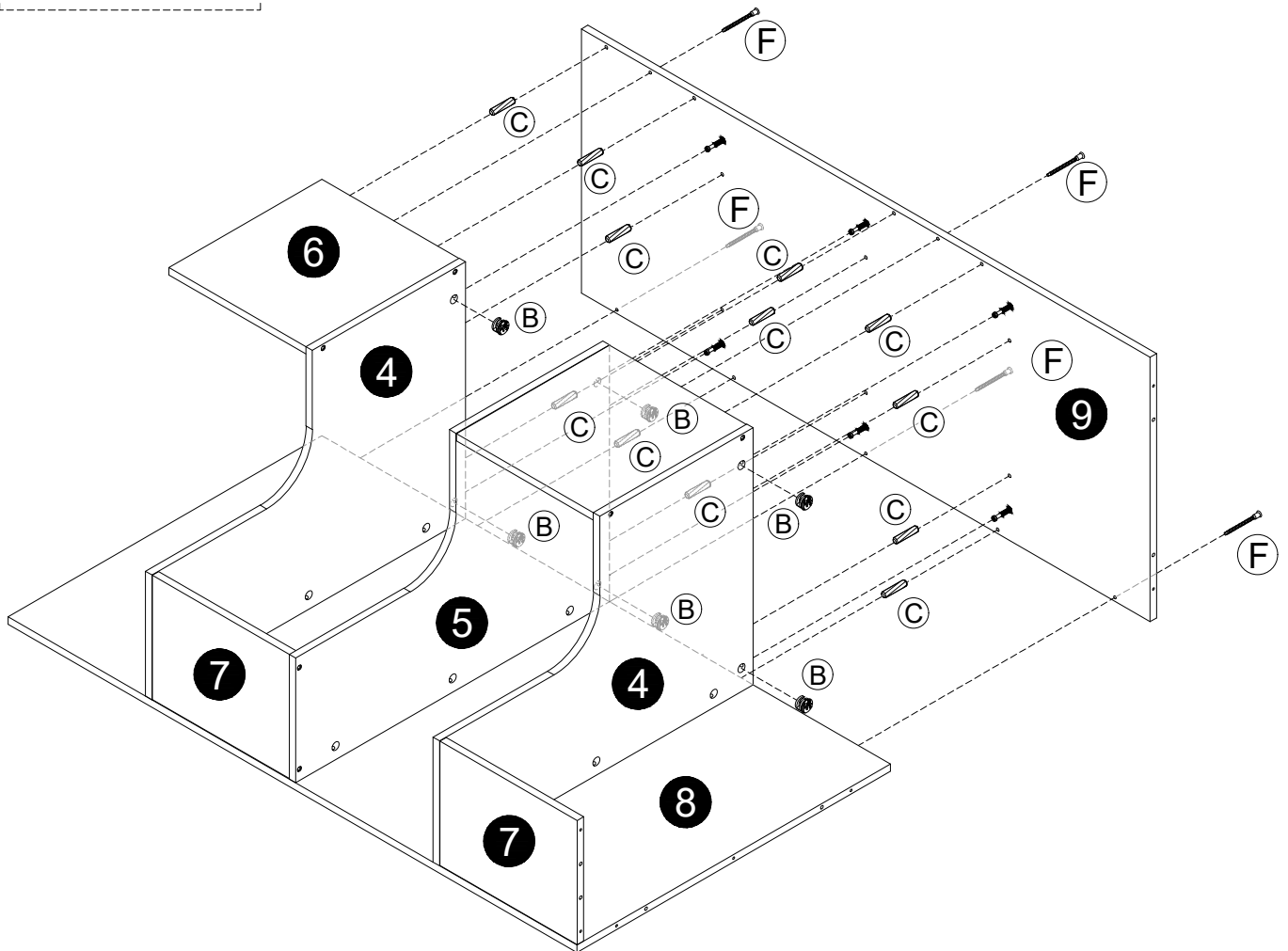
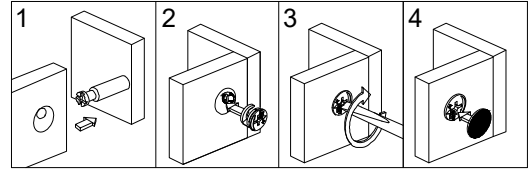
C X12



F X5

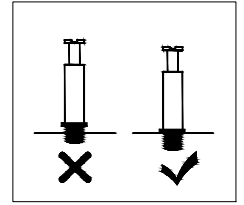
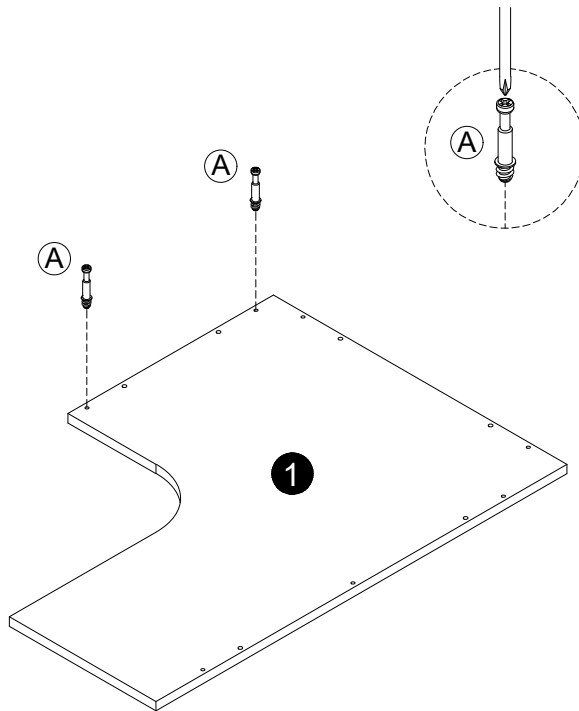


CAUTION: Heavy! You may need assistance with this step



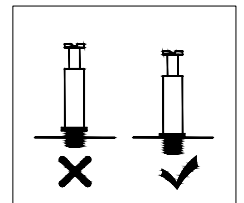
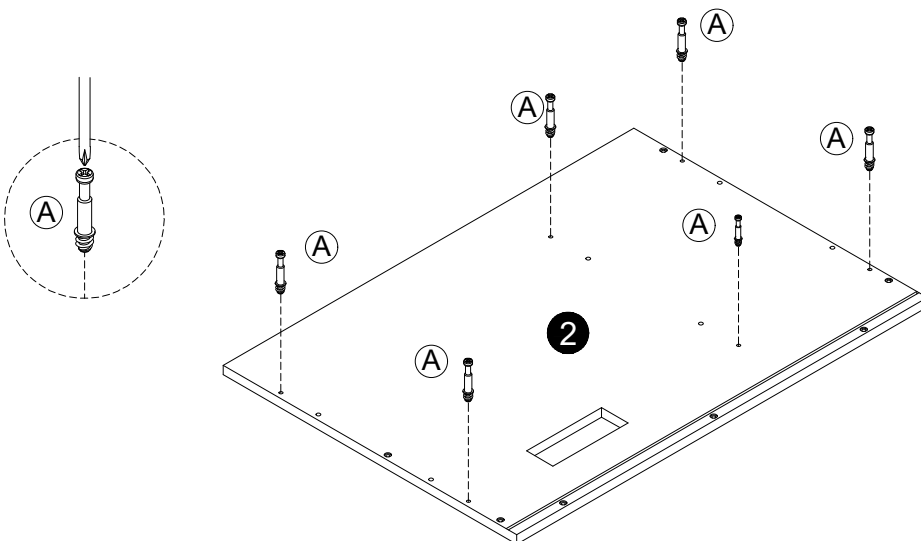
STEP 20

 **A** X2

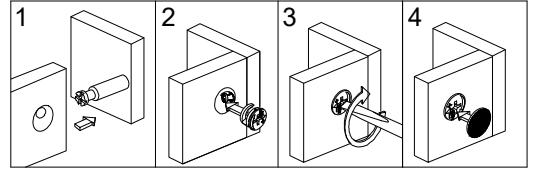


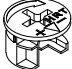
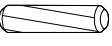
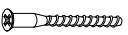
STEP 21

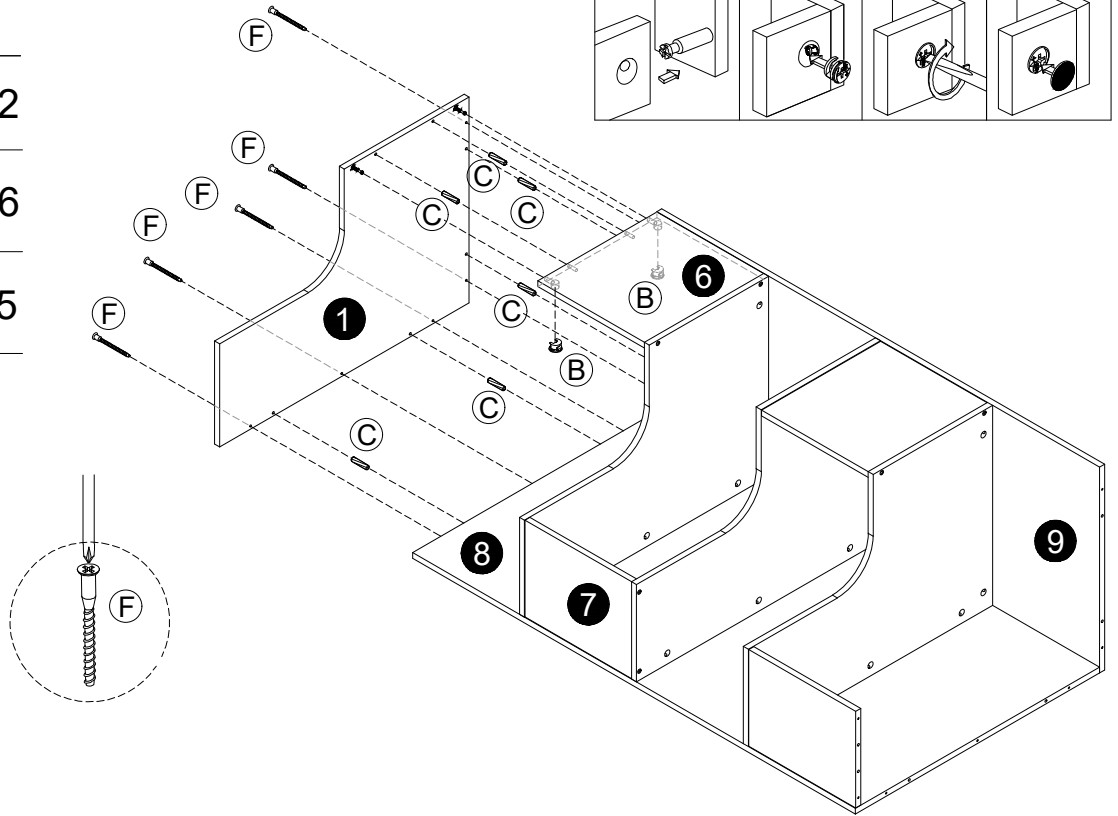
 **A** X6



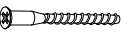

STEP 22

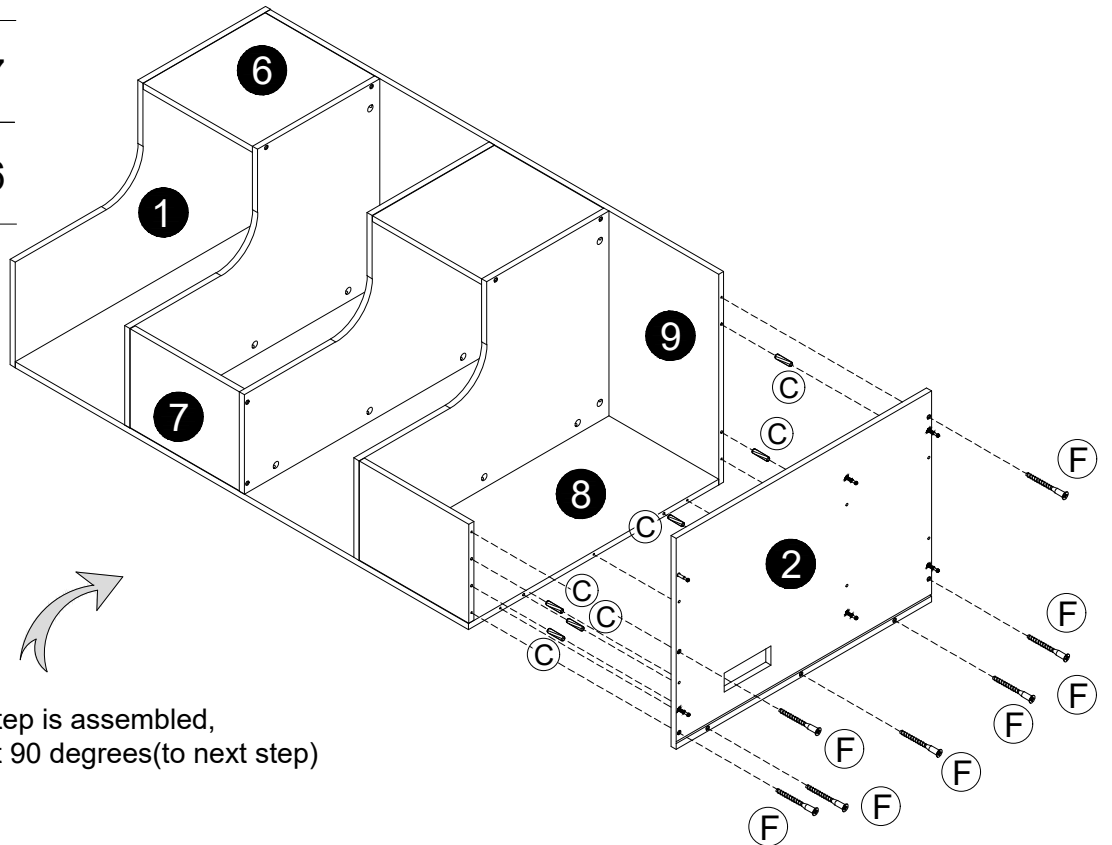


-  **B** X2
-  **C** X6
-  **F** X5



STEP 23

-  **F** X7
-  **C** X6



After this step is assembled,
flip & turn it 90 degrees(to next step)

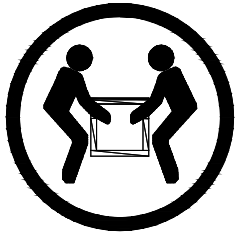
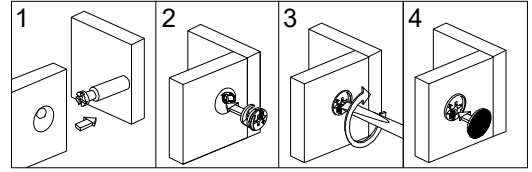
STEP 24



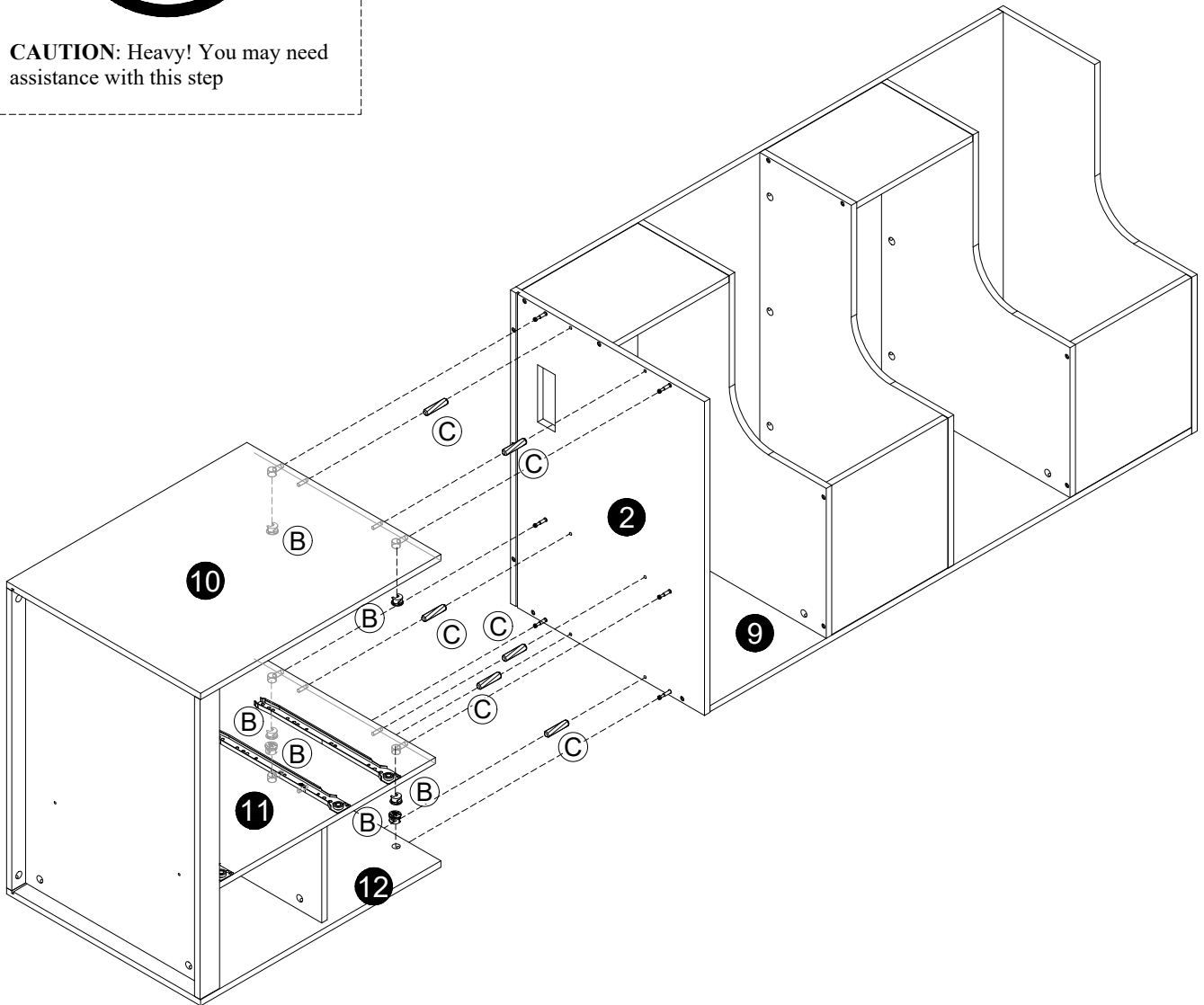
B X6



C X6



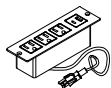
CAUTION: Heavy! You may need assistance with this step



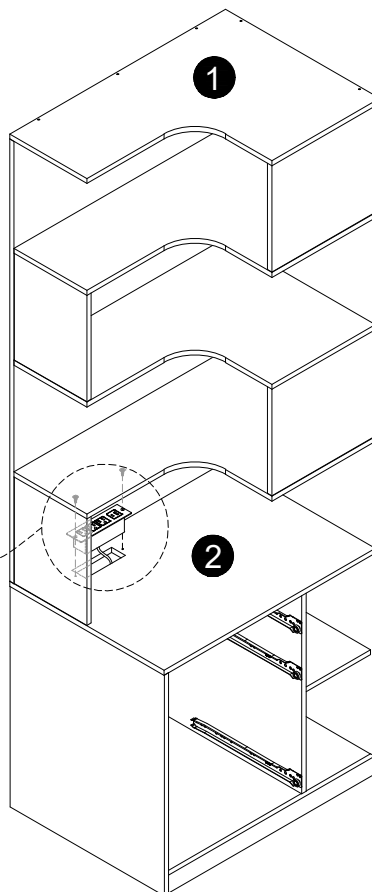
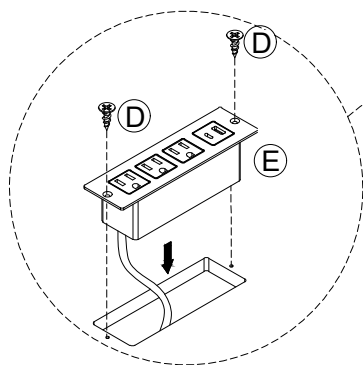
STEP 25



D X2



E X1



Turn to install the Next step.

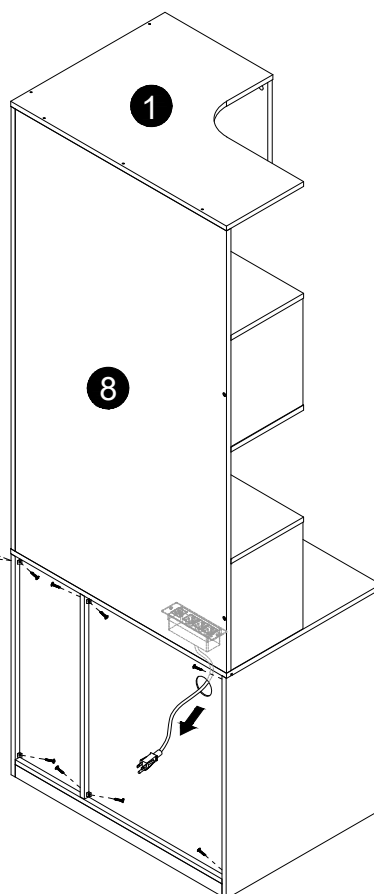
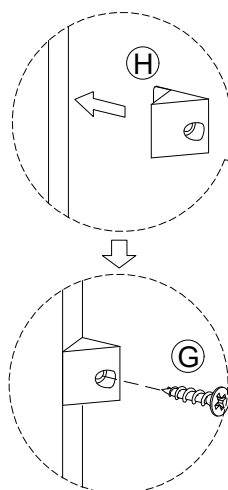
STEP 26



G X8

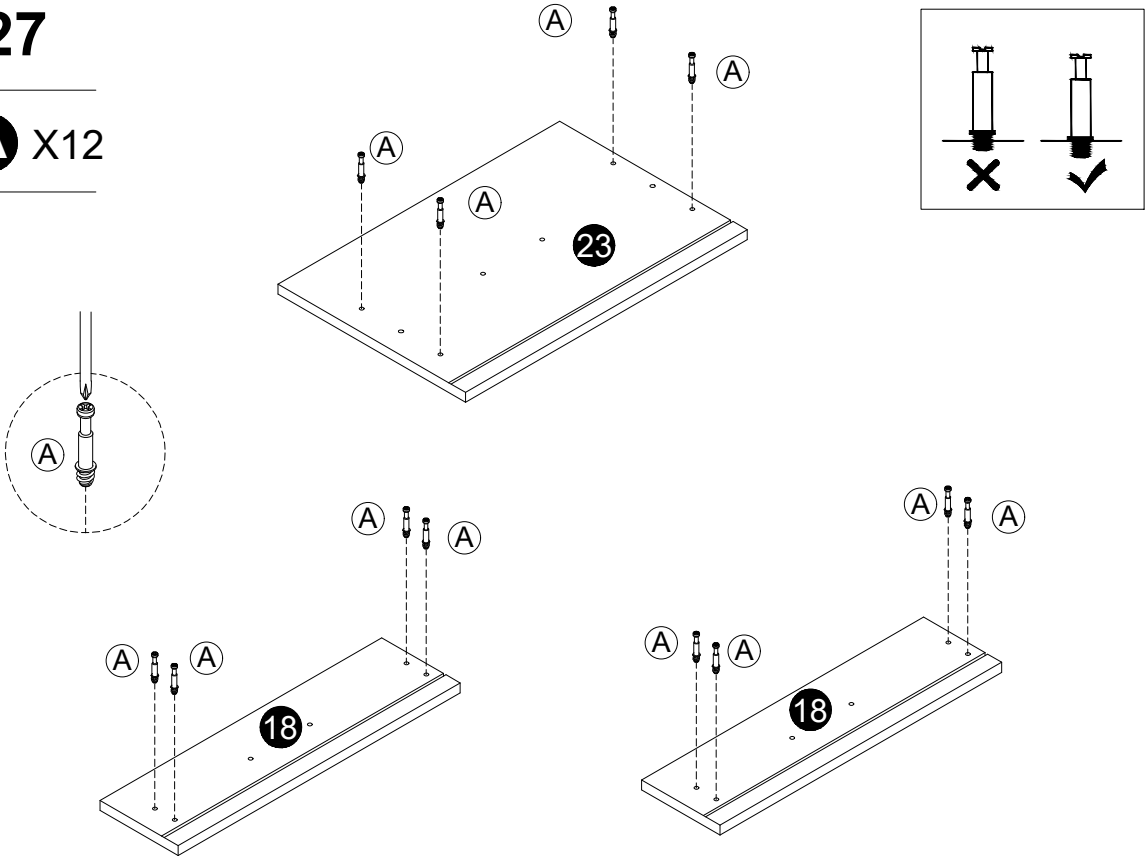


H X8



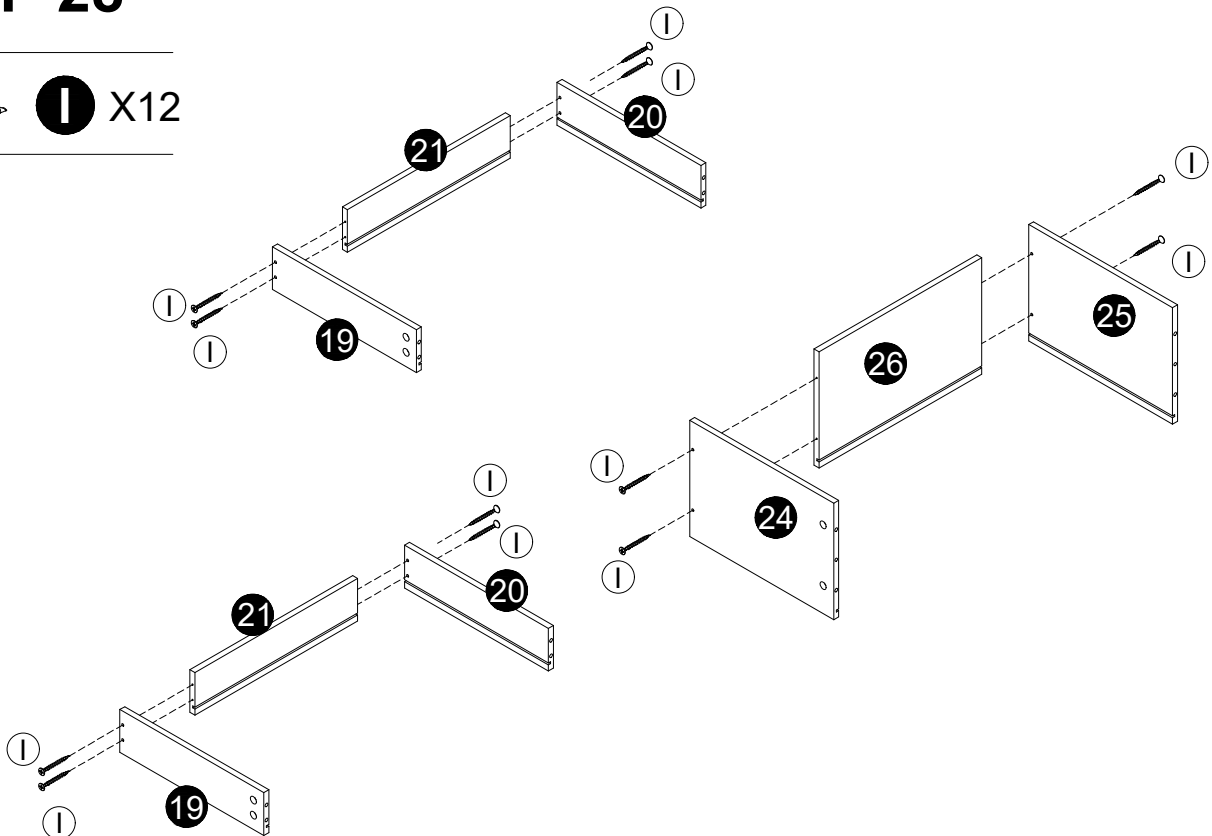
STEP 27

 **A** X12

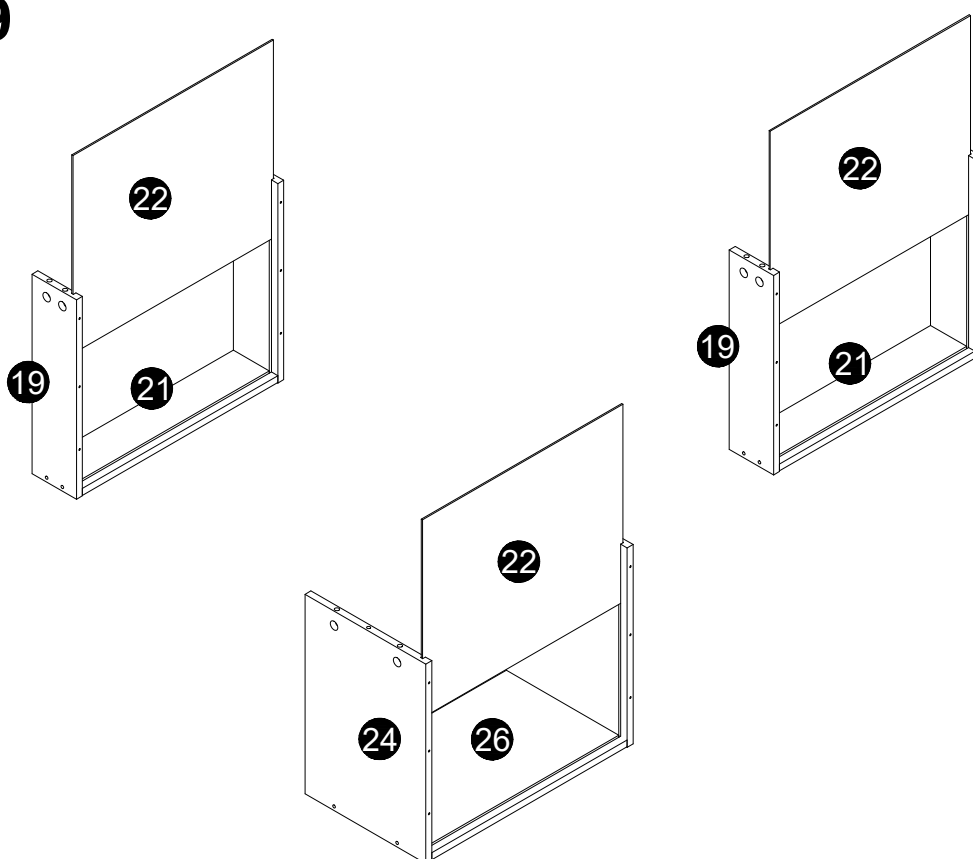


STEP 28

 **I** X12



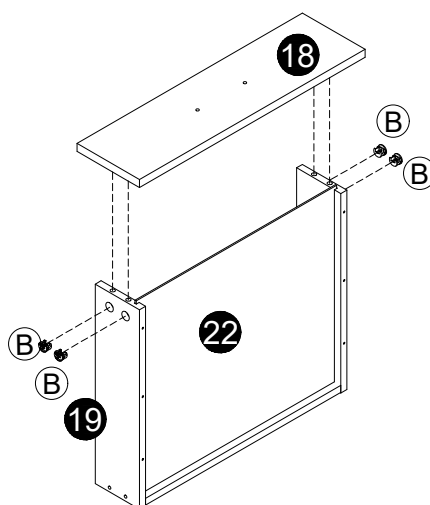
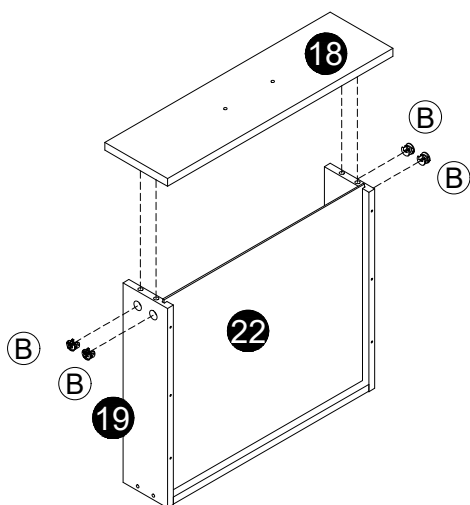
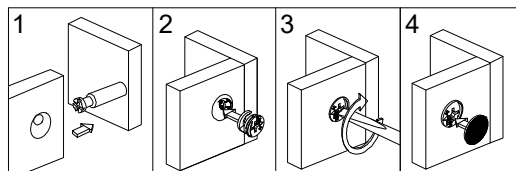
STEP 29



STEP 30



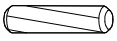
B X8



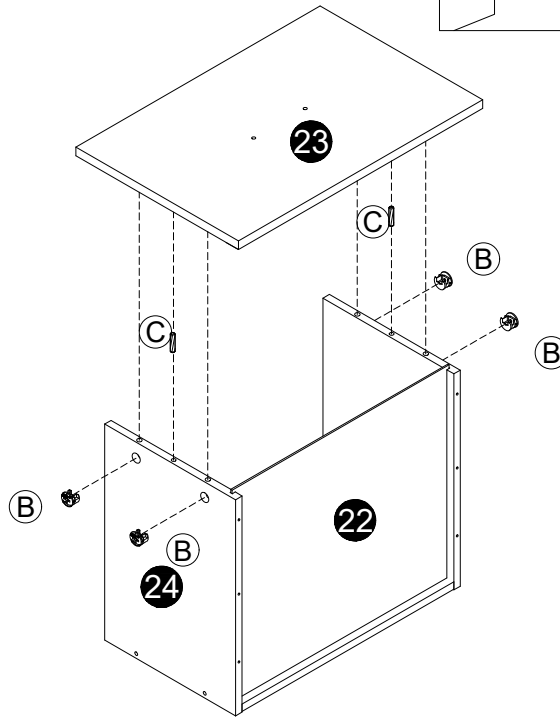
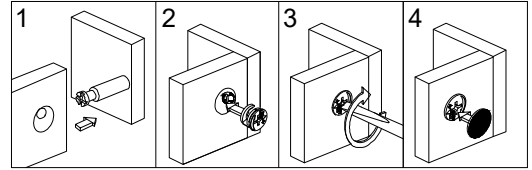
STEP 31



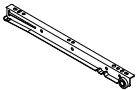
B X4



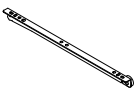
C X2



STEP 32



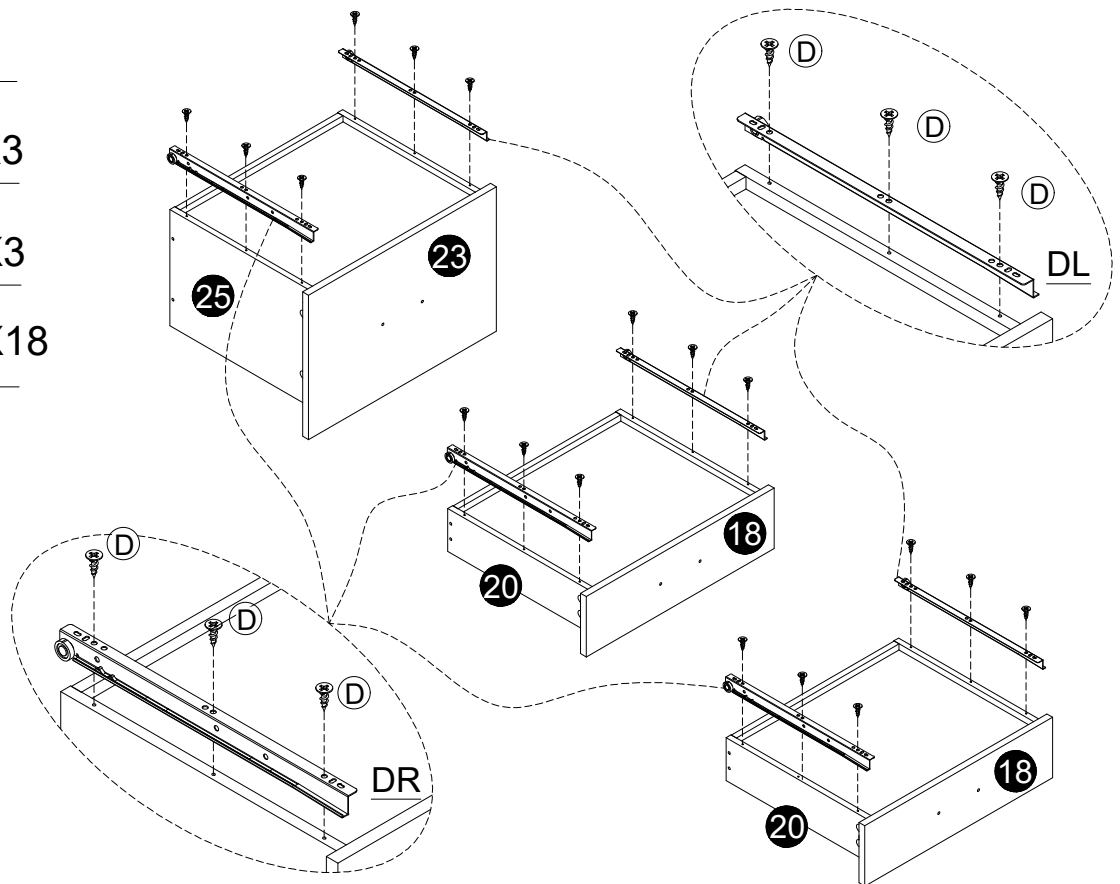
DL X3



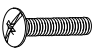

DR X3

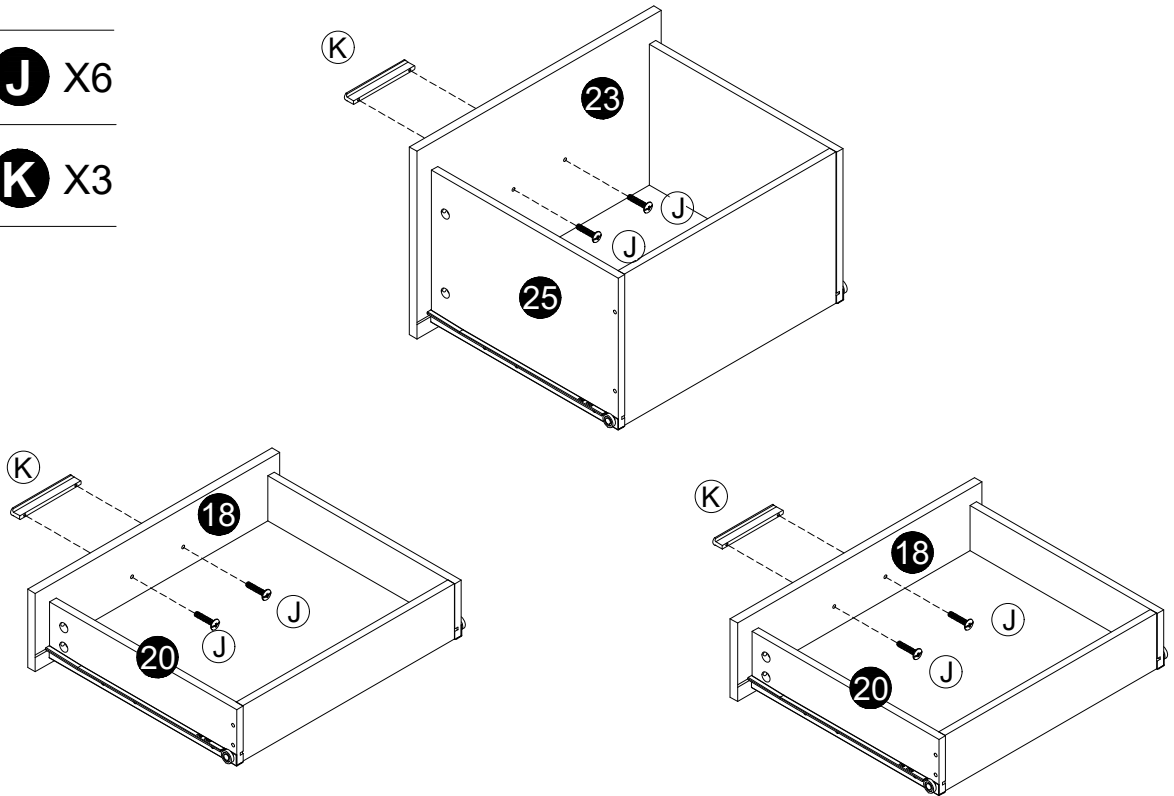


D X18

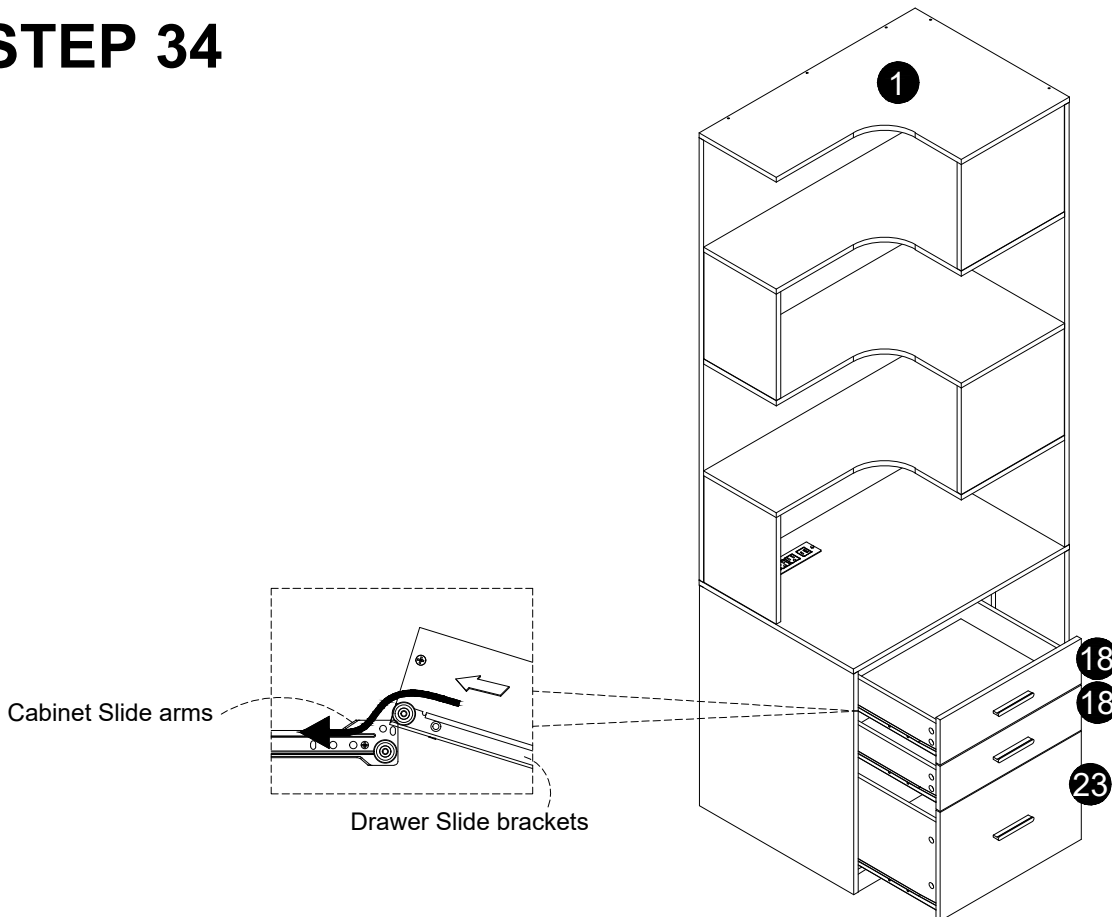


STEP 33

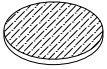
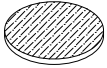
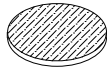
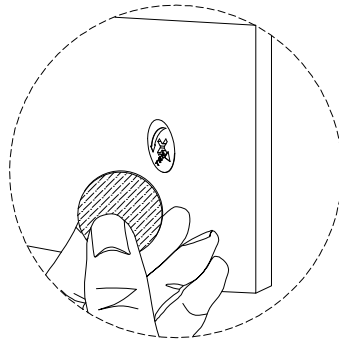
-  **J** X6
-  **K** X3



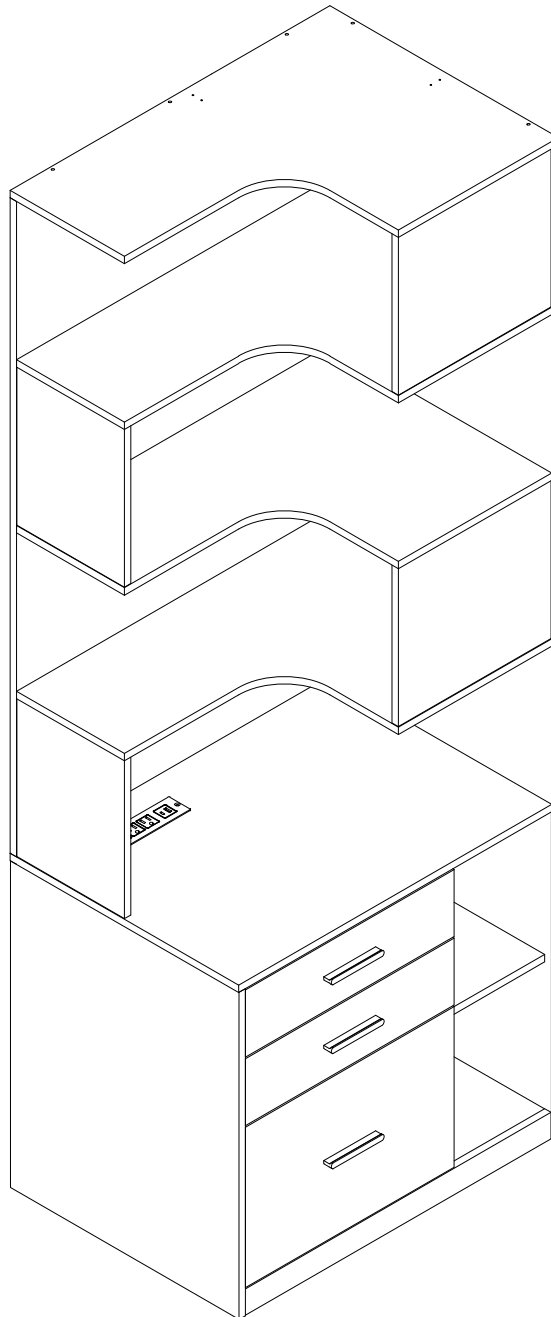
STEP 34



STEP 35

**Q** X36**R** X20**Q** X36**R** X20

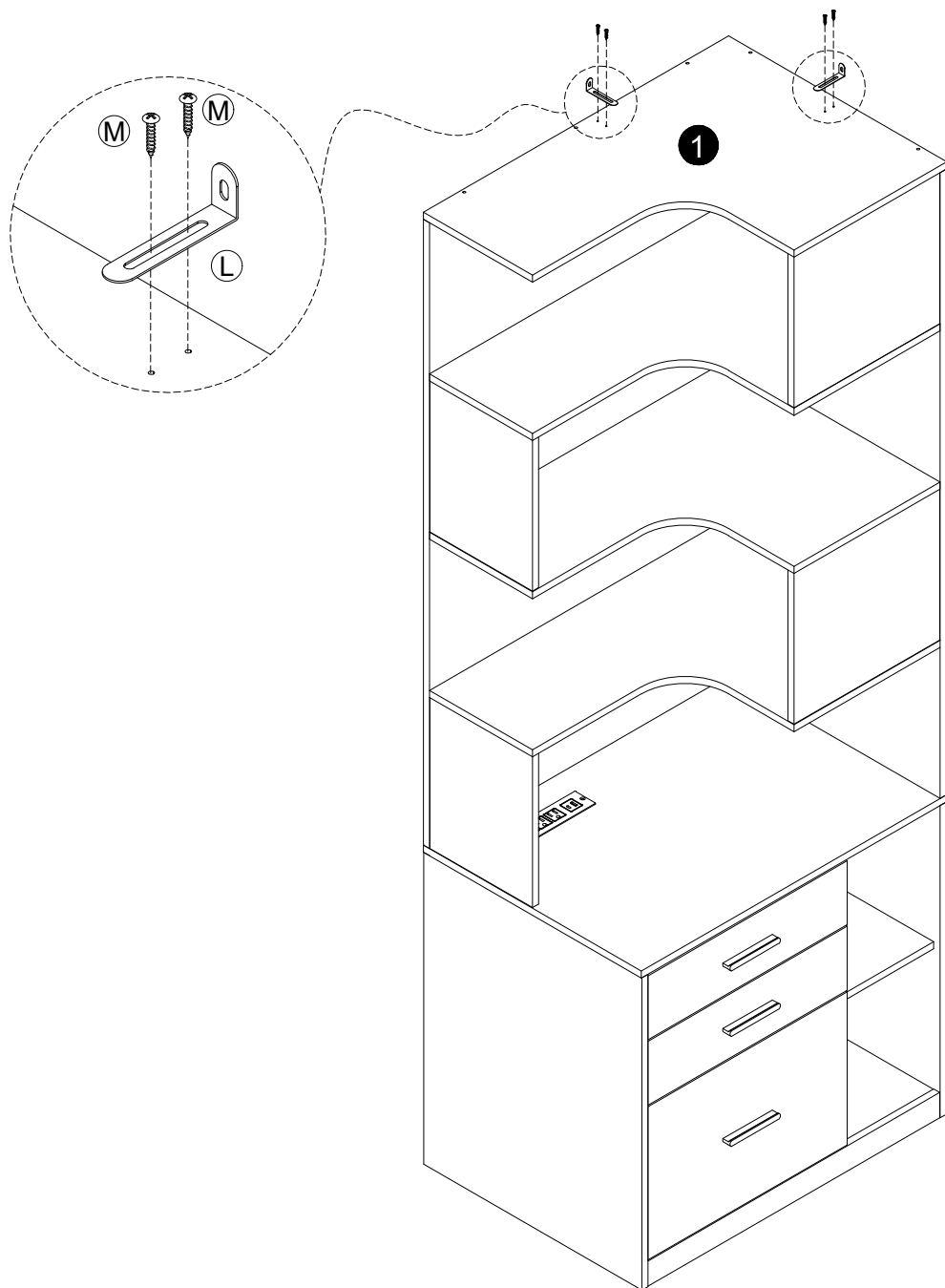
Note: For two-tone cabinets, match the stickers with the colors.




STEP 36

 **L** X2

 **M** X4



STEP 37

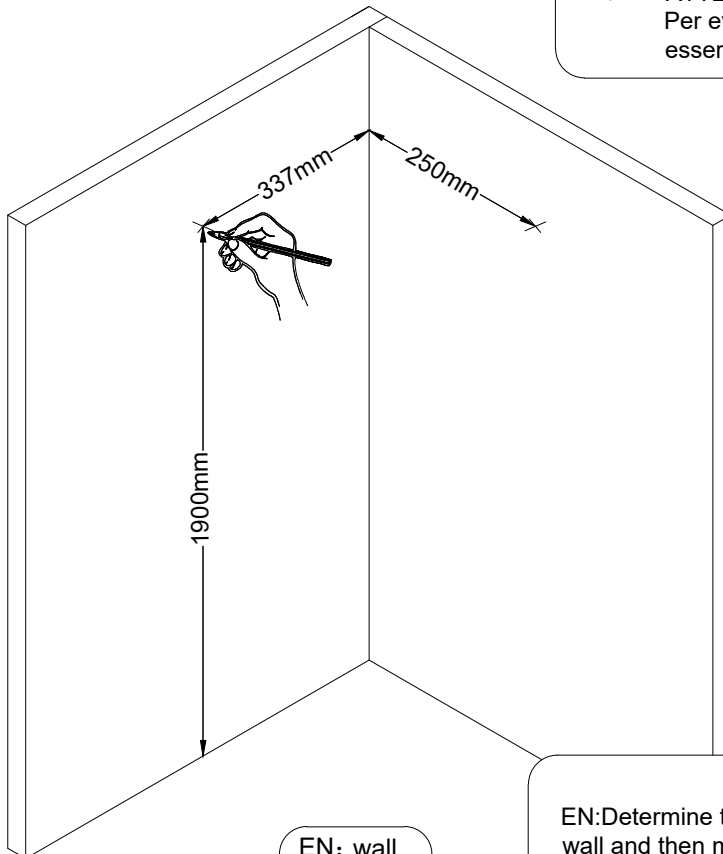
EN: **WARNING** 
 In order to prevent overturning this product must be used with the wall attachment device provided.

DE: **WARNUNG**
 Um ein Umkippen zu verhindern, muss dieses Produkt mit der mitgelieferten Wandmontagevorrichtung verwendet werden.

FR: **AVERTISSEMENT**
 Pour éviter tout risque de basculement, ce produit doit être utilisé avec les fixations murales fournies.

IT: **ADVERTENCIA**
 Para evitar vuelcos, este producto debe utilizarse con las fijaciones de pared suministradas.

ES: **ATTENZIONE**
 Per evitare il ribaltamento, questo prodotto deve essere utilizzato con i fissaggi a parete forniti.



EN: wall
 DE: wand
 FR: mur
 IT: muro
 ES: pared

STEP 1

EN: Determine the location of the anti-overturning on the wall and then mark the position after confirming the product has been balanced.

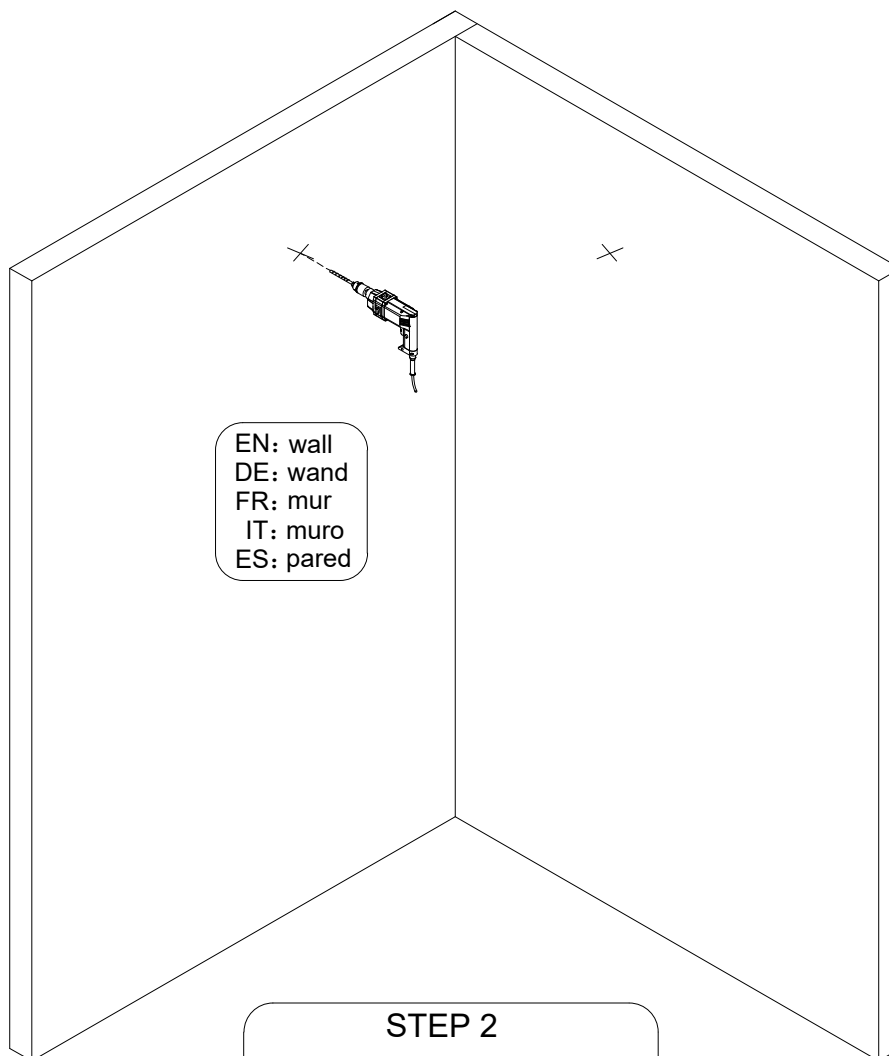
DE: Bestimmen Sie die Position der Kippsicherung an der Wand und markieren Sie die Position, nachdem Sie sichergestellt haben, dass das Produkt ausbalanciert ist.

FR: Déterminez l'emplacement de l'anti-renversement sur le mur, puis marquez la position après avoir confirmé que le produit a été équilibré.

IT: Determinare la posizione dell'antiribaltamento sulla parete e quindi contrassegnare la posizione dopo aver confermato che il prodotto è stato bilanciato.

ES: Determine la ubicación del dispositivo antivuelco en la pared y luego marque la posición después de confirmar que el producto esté equilibrado.

STEP 38

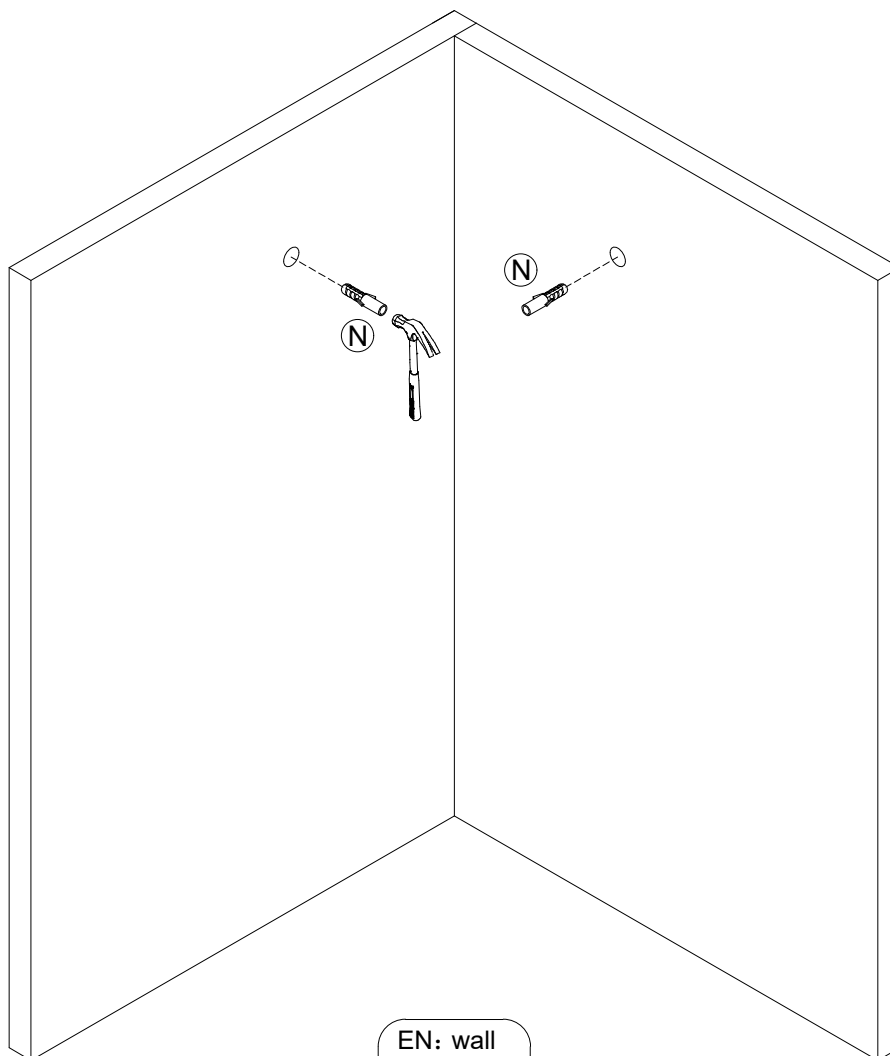


EN: wall
DE: wand
FR: mur
IT: muro
ES: pared

STEP 2

EN: Drill the hole.
DE: Bohren Sie das Loch.
FR: Forare il foro.
IT: Forare il foro.
ES: Perforar el agujero.

STEP 39



EN: wall
DE: wand
FR: mur
IT: muro
ES: pared

STEP 3

EN: Fixed the anchor on the wall.
DE: Den Anker an der Wand befestigen.
FR: Fixé l'ancrage sur le mur.
IT: Fissato l'ancoraggio al muro.
ES: Fijé el ancla en la pared.

STEP 40



STEP 4

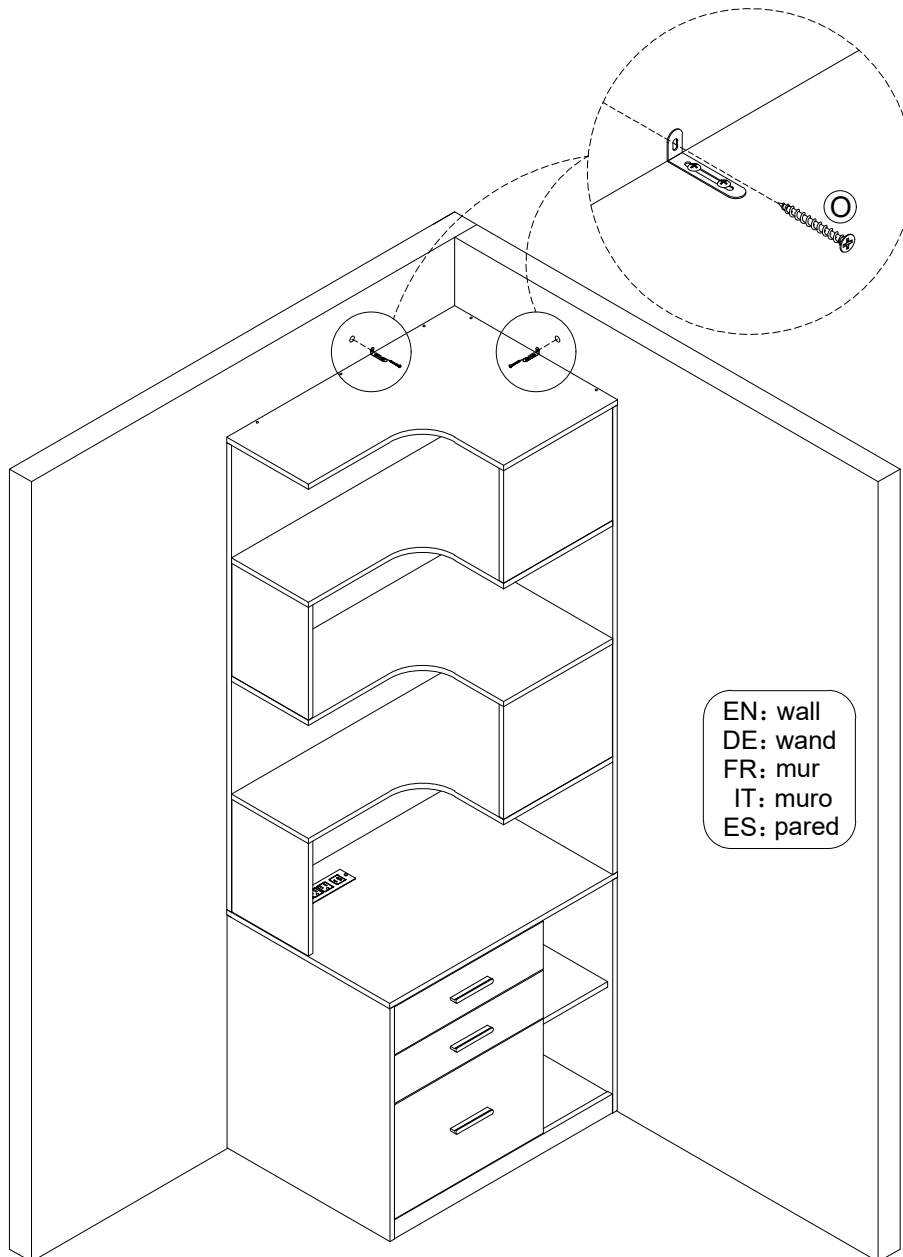
EN: Use screw (O) to fix the pat L (L) on the wall.

DE: Gebrauch schroef (O) om de pat L (L) aan de muur te bevestigen.

FR: Utilisez la vis (O) pour fixer le pat L (L) au mur.

IT: Usa la vite (O) per fissare il pat L (L) al muro.

ES: Utiliza el tornillo (O) para fijar la pieza L (L) en la pared.





After-Sales Service Hotline: (800) 661-5928