

KEY FEATURES

- LED Illuminated Knobs
- UltraHeat™ Dual Burner
- 24K Center Burner
- EasyClean® Cooktop
- Cast Iron Grate
- 5 Sealed Gas Burners



Knob



Angle View



Front Angled View

PRODUCT FEATURES

SUMMARY		ACCESSORIES	
Type	36" Gas Cooktop	Broiler Pan	No
No. of Burners	5	Giddle	No
Color	Stainless Steel	Meat Probe	No
COOKTOP FEATURES		Heavy Duty Rack	No
Cooktop Burner Type	Sealed Gas Burner	Gliding Rack	No
No. of Burners	5	Cook Book	No
Burner - Left Rear (LNG/LPG) (BTU)	10000/ 7500	Spray Bottle	No
Burner - Right Rear (LNG/LPG) (BTU)	5000/ 4000	Conversion Kit	Yes
Burner - Left Front (LNG/LPG) (BTU)	10000/ 7500	SMART FEATURES	
Burner - Right Front (LNG/LPG) (BTU)	13500/ 14000	ThinQ® (Wi-Fi Enabled)	Yes
Center (Warming Zone) (BTU)	24000/ 16000	Check & Control	No
Burner Simmer/ BTU - Left Rear	1270	Voice Control	No
Burner Simmer/ BTU - Right Rear	670	Smart Recipe (3rd Party Recipe App)	No
Burner Simmer/ BTU - Left Front	1270	Proactive Customer Care	No
Burner Simmer/ BTU - Right Front	1270	SmartDiagnosis™	No
Center (Warming Zone)	600	NFC Tag On	No
CONTROL		Camera	No
Cooktop Control Type	Knob	DIMENSIONS / CLEARANCES/ WEIGHT	
Display	No	Product Dimensions (WxHxD)	36" x 3 3/4" x 21"
Power Level Setting	-	Cut-Out (WxHxD)	33 7/8" x 3 3/4" x 19 5/8"
Control Location	Front-Center	Packing (WxHxD)	40 1/16" x 9 3/4" x 25 3/8"
Auto Re-Ignition	-	Product Weight (lbs)	55.29 lbs
POWER AND RATING		Shipping Weight (lbs)	72 lbs
Amp at 240V	-	LIMITED WARRANTY	
kW at 120V	120V 60Hz / 0.12A	Parts and Labor	2 Year
Requirements	120V / 60Hz AC	UPC CODE	
APPEARANCES		CBGU3639X	048231350006
Available Colors	Stainless Steel		
Handle / Knobs Colors	Light Bronze		
Knobs	Aluminum		
PrintProof™ Finish	No		
Cooktop Finish	Stainless Steel		
EasyClean Coating	Yes		
Backlit Knobs	Yes		
Weighted Knobs	-		

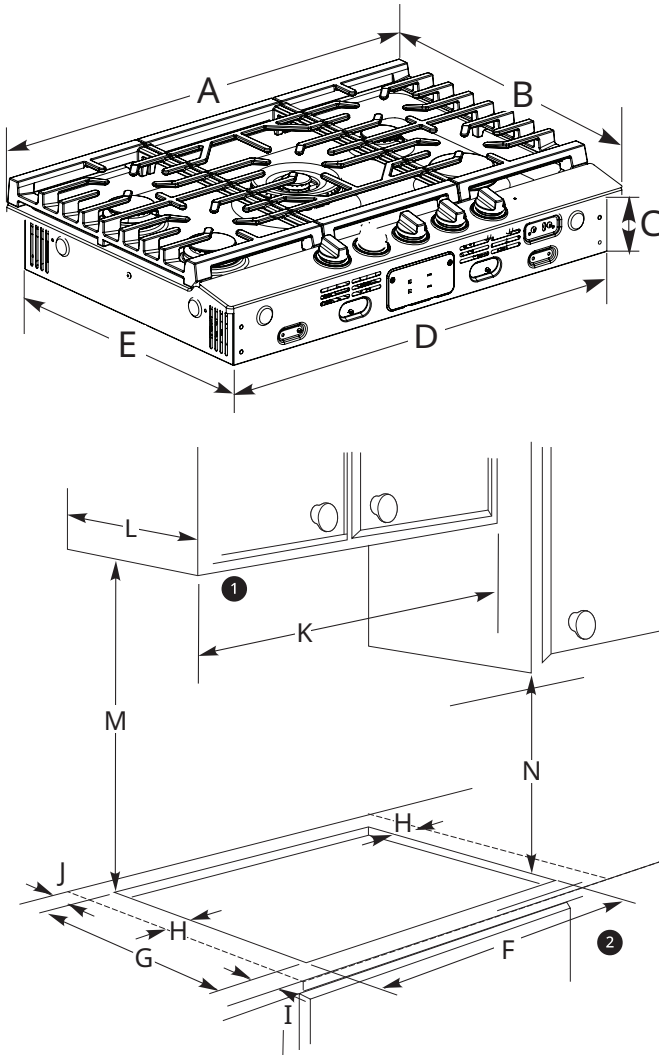
CBGU3639X

36" Gas Cooktop

QUICK INSTALL & CLEARANCES

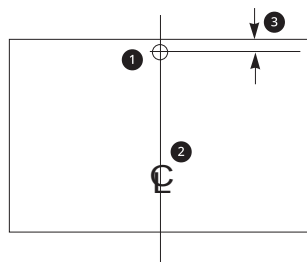
For full installation directions/clearances please refer to the corresponding User Manual and Installation Guide.

PRODUCT DIMENSIONS



- Make sure wall coverings, countertop and cabinets around cooktop can withstand the heat (up to 200°F) generated by the cooktop
- To ensure accuracy, it is best to make a template when cutting the opening in the counter

- Recommended gas supply location
- From cutout center line
- 1" min. from back wall



DIMENSION / CLEARANCE

Provide enough clearance between the cooktop and adjacent combustible surfaces. These dimensions must be met for safe use of your cooktop. The location of the electrical outlet and pipe opening may be adjusted to meet specific requirements.

The cooktop must be placed with at least 2 3/4" of clearance to the back wall.

DIMENSION / CLEARANCE	36" Cooktop
A	Width of upper plate 36" (915mm)
B	Depth of upper plate 21" (533mm)
C	Height of cooktop base 3 3/4" (95mm)
D	Width of cooktop base 33 5/8" (854mm)
E	Depth of cooktop base 19 3/8" (492mm)
F	Width of cutout 33 7/8" (860mm)
G	Depth of cutout 19 5/8" (498mm)
H	Distance from cutout to side wall on th left of unit / Distance from cutout to side wall on the right of the unit ≥ 11 13/16" (300 mm)
I	Distance from front edge of cutout to front edge of countertop ≥ 1 5/8" (41 mm)
J	Distance between cutout and the wall behind the cooktop ≥ 2 3/4" (69 mm)
K	Width of unprotected overhead cabinets ≥ 36" (915mm)
L	Depth of unprotected overhead cabinets ≤ 13" (330 mm)
M	Clearance from countertop to unprotected overhead surface ≥ 30" (760 mm)
N	Clearance from countertop to nearest cabinet on either side of unit ≥ 18" (457 mm)

INSTALLATION

- Locate the electrical outlet and gas shut-off valve in the cabinet beneath the cooktop.

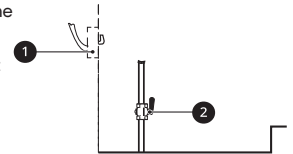
The access cap on the gas regulator must face the front of the cabinet and be easily accessible.

Never reuse old flexible connectors.

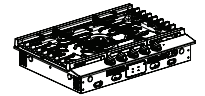
Install a manual shut-off valve ① in the gas line in an easily accessible location outside the cooktop.

Be sure you know how and where to shut off the gas supply to the cooktop.

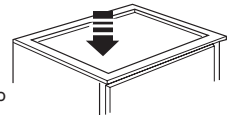
Install the electrical outlet ② below the countertop.



- Carefully lower the cooktop into the countertop cutout, making sure not to trap any wires.



- Remove the retainer brackets from the literature package



- Install the retainer brackets ① to the bottom of the cooktop unit ③, then snug the screws ② against the bottom of the countertop ④ as shown.

