



# Product Safety Guide

MFC-J5330DW/J5830DW/J5930DW/  
J6530DW/J6535DW/J6730DW/J6930DW/J6935DW

## Using the documentation

Please read this booklet before attempting to operate the product, or before attempting any maintenance. Failure to follow these instructions may result in an increased risk of personal injury or damage to property, including through fire, electrical shock, burns or suffocation.

Read all of the instructions. Save them for later reference.

## Symbols and conventions used in the documentation

The following symbols and conventions are used throughout the documentation.

### **WARNING**

WARNING indicates a potentially hazardous situation which, if not avoided, could result in death or serious injuries.

### **CAUTION**






CAUTION indicates a potentially hazardous situation which, if not avoided, may result in minor or moderate injuries.

### **IMPORTANT**

IMPORTANT indicates a potentially hazardous situation which, if not avoided, may result in damage to property or loss of product functionality.

## NOTE

NOTE specifies the operating environment, conditions for installation, or special conditions of use.

-  Prohibition icons indicate actions that must not be performed.
-  This icon indicates that flammable sprays must not be used.
-  This icon indicates that organic solvents such as alcohol and liquids must not be used.
-  Electrical Hazard icons alert you to possible electrical shocks.
-  Fire Hazard icons alert you to the possibility of a fire.

**Bold** Bold typeface identifies specific keys on the product's control panel or on the computer screen.

*Italics* Italicized typeface emphasizes an important point or refers you to a related topic.

`Courier New` Text in Courier New font identifies messages on the LCD of the product.

Follow all warnings and instructions marked on the product.

## NOTE

The illustrations in this guide show the MFC-J6930DW.

# Compilation and Publication

Under the supervision of Brother Industries, Ltd., this product's manuals have been compiled and published, covering the latest product descriptions and specifications.

The contents of the manuals and the specifications of this product are subject to change without notice.

Brother reserves the right to make changes without notice in the specifications and materials contained herein and shall not be responsible for any damages (including consequential) caused by reliance on the materials presented, including but not limited to typographical and other errors relating to the publications.

## Choosing a location



### **WARNING**



Choose a location where the temperature remains between 50°F and 95°F (10°C and 35°C) and the humidity is between 20% to 80% (without condensation).



DO NOT allow this product to come into contact with water. This product should not be used around standing water, including a bath tub, sink, or swimming pool; around appliances containing water, including a refrigerator; or in a wet basement.



DO NOT expose the product to direct sunlight, excessive heat, open flames, corrosive gasses, moisture or dust. Doing so may create a risk of an electrical shock, electrical short or fire. It may also damage the product and/or render it inoperable.



DO NOT place the product near chemicals or in a place where chemicals could be spilled on it. Should chemicals come into contact with the product, there may be a risk of fire or electrical shock. In particular, organic solvents or liquids such as benzene, paint thinner, polish remover, or deodorizer may melt or dissolve the plastic cover and/or cables, resulting in a risk of fire or electrical shock. These or other chemicals may also cause the product to malfunction or become discolored.

---



DO NOT place the following objects on the product. If these objects contact the electrical parts inside the product, it may cause a fire or electrical shock.

- Metal object such as a clip or a staple
  - Precious metal such as a necklace or a ring
  - Container holding water or liquid such as a glass, a flower vase or a flower pot
- 

Plastic bags are used in the packing of your product. Plastic bags are not toys. To avoid the danger of suffocation, keep these bags away from babies and children and dispose of them correctly.

## CAUTION

Put your product on a flat, level, stable surface that is free from vibration and shocks, such as a desk. Put the product near a telephone wall jack and a standard AC power outlet. DO NOT place this product on an unstable cart, stand, or table, particularly if children are expected to be near the product. The product is heavy and may fall, causing injury to you or others, and serious damage to the product. For the products with a scanning function, there is an added risk of injury if the scanner glass should break.

---

Avoid placing your product in a high-traffic area. If you must place it in a high-traffic area, ensure that the product is in a safe location where it cannot be accidentally knocked-over, which could cause injury to you and serious damage to the product.

---

Ensure that cables and cords leading to the product are secured so as not to pose a tripping hazard.

---

DO NOT place heavy objects on the product.

---

DO NOT place any objects around the product. Such objects block the access to the power outlet in case of emergency. It is important that the product can be unplugged whenever needed.

---

## IMPORTANT

---

- DO NOT place your product next to devices that contain magnets or generate magnetic fields. Doing so may interfere with the operation of the product, causing print quality problems.
  - DO NOT place your product next to sources of interference, such as speakers or the base units of non-Brother cordless telephones. Doing so may interfere with the operation of the product's electronic components.
  - DO NOT put objects on top of the product. Doing so could increase the risk of overheating should the product malfunction.
  - DO NOT place anything in front of the product that will block printed pages or received faxes. DO NOT place anything in the path of printed pages or received faxes.
  - DO NOT tip the product after the ink cartridges are installed. Doing so may cause ink spillage and internal damage to the product.
- 

## To use the product safely

### WARNING

#### ELECTRICAL HAZARDS

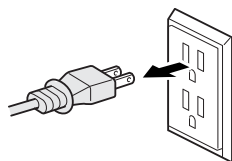
*Failure to follow the warnings in this section may create the risk of an electrical shock. In addition, you could create an electrical short, which may create the risk of a fire.*

---



There are high-voltage electrodes inside the product. Before you access the inside of the product, including for routine maintenance such as cleaning, make sure you have unplugged the power cord from the AC power outlet, as well as any telephone/RJ-11 or Ethernet/RJ-45 cables from the product.

DO NOT push objects of any kind into this product through slots or openings in the cabinet, as they may touch dangerous voltage points or short out parts.





DO NOT handle the plug with wet hands.



Always make sure the plug is fully inserted.



Unplug the power plug regularly to clean it. Use a dry cloth to clean the root of the plug blades and between the blades. If the power plug is plugged into the outlet over a long period, dust accumulates around the plug blades, which may cause a short circuit, resulting in a fire.



DO NOT take apart or attempt to convert the product. This may create a risk of fire or electrical shock. Such conduct may also be punished by the law. Contact Brother Authorized Service for repair and other services.



If the product has been dropped or the casing has been damaged, there may be the possibility of an electrical shock. Unplug the product from the AC power outlet and contact Brother Authorized Service Personnel.



DO NOT drop any metallic hardware or any type of liquid on the power plug of the product. It may cause an electrical shock or a fire.



If water, other liquids, or metal objects get inside the product, immediately unplug the product from the AC power outlet and contact Brother Authorized Service Personnel.



This product should be connected to an AC power source within the range indicated on the rating label. DO NOT connect it to a DC power source or inverter. If you are not sure what kind of power source you have, contact a qualified electrician.

---



#### Power Cord Safety:

- (Canada only) This product is equipped with a 3-wire grounded plug. This plug will only fit into a grounded power outlet. This is a safety feature. If you are unable to insert the plug into the outlet, call your electrician to replace your obsolete outlet. DO NOT attempt to defeat the purpose of the grounded plug.
  - DO NOT pull on the middle of the AC power cord; pulling on the middle may cause the cord to separate from the plug. Doing this might cause an electrical shock.
  - DO NOT allow anything to rest on the power cord.
  - DO NOT place this product where people can walk on the cord.
  - DO NOT place this product in a position where the cord is stretched or strained, as it may become worn or frayed.
  - DO NOT use the product or handle the cord if the cord has become worn or frayed. If unplugging your product, DO NOT touch the damaged/frayed part.
  - Brother strongly recommends that you DO NOT use any type of extension cord.
  - DO NOT use any cable, not included with this product, that does not meet the applicable cable specifications described in the Quick Setup Guide.  
It may cause a fire or injuries. Installation must be performed properly according to the Quick Setup Guide.
- 



DO NOT use this product during an thunderstorm.

---



Use caution when installing or modifying telephone lines. Never touch telephone wires or terminals that are not insulated unless the telephone line has been unplugged at the wall jack. Never install telephone wiring during a lightning storm. Never install a telephone wall jack in a wet location.

---

#### FIRE HAZARDS

*Failure to follow the warnings in this section may create the risk of a fire.*



DO NOT use flammable substances, any type of spray, or an organic solvent/liquid containing alcohol or ammonia to clean the inside or outside of the product. Doing so could cause a fire or electrical shock. Instead, use only a dry, lint-free cloth. For instructions on how to clean the product, see the Online User's Guide.

---

DO NOT use the product near any medical electrical equipment. The radio wave emitted from the product may affect medical electrical equipment and cause a malfunction, which may result in accident or injury.

---

For users with pacemakers

This product generates a weak magnetic field. If you feel anything wrong with the operation of your pacemakers when near the product, move away from the product and consult a doctor immediately.

---



If the product becomes unusually hot, releases smoke, generates any strong smells, or if you accidentally spill any liquid on it, immediately unplug the product from the AC power outlet. Contact Brother Authorized Service Personnel.

## CAUTION

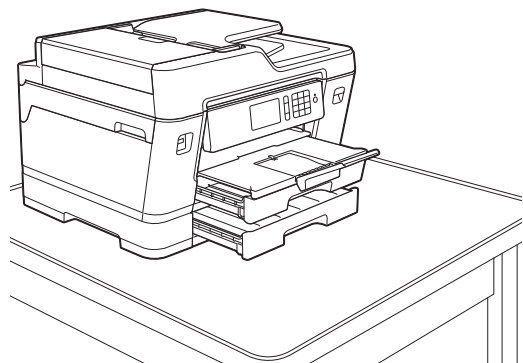
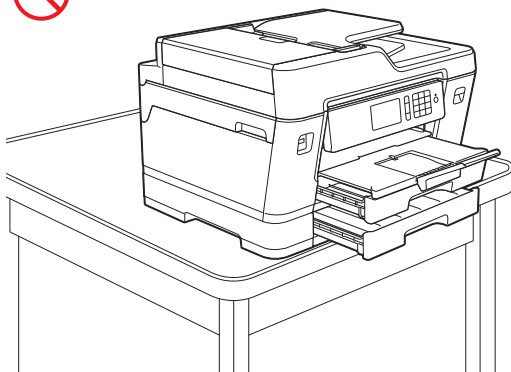
Wait until pages have exited the product before picking them up. Failure to do this may cause injury to your fingers by trapping them in a roller.

---

DO NOT put your hand or any foreign objects into the ink insertion slot. Doing this may cause injury.

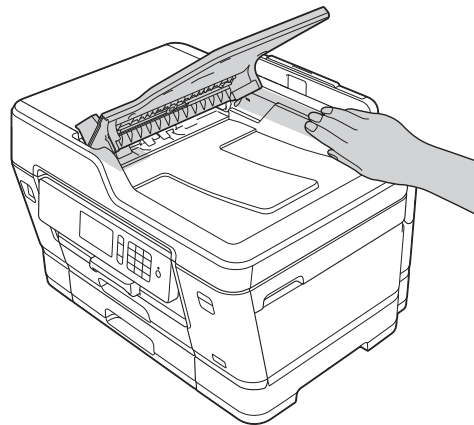
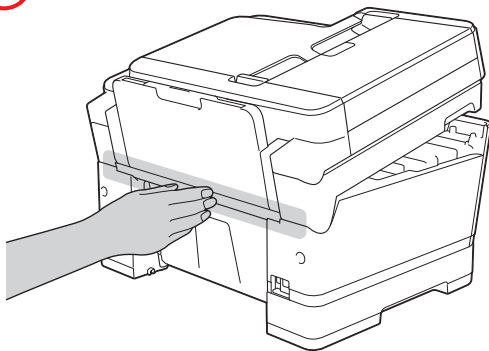
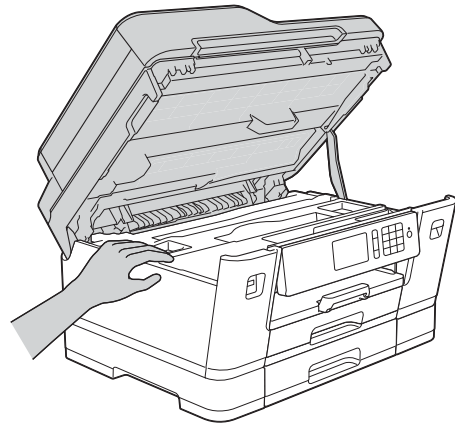
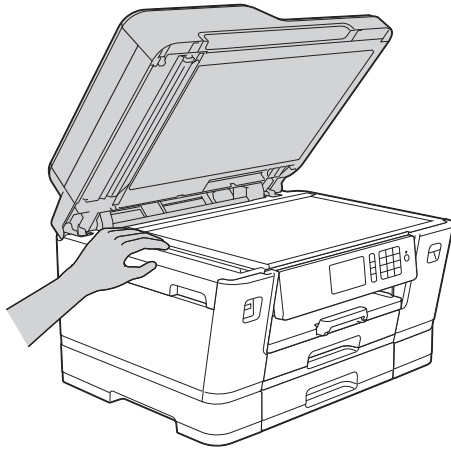
---

If the tray has been expanded to hold large paper such as Ledger, A3, Legal or Folio size paper, place the product on a flat surface that can support both the product and the tray. When the tray is expanded, it will protrude from the product. Therefore, if someone hits the tray, the product could fall and cause injury.



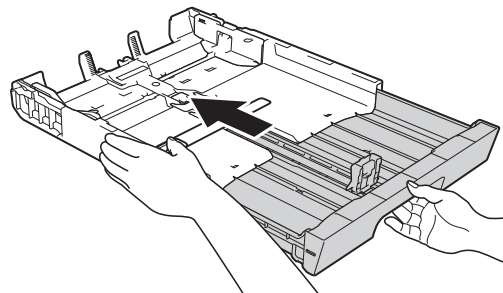
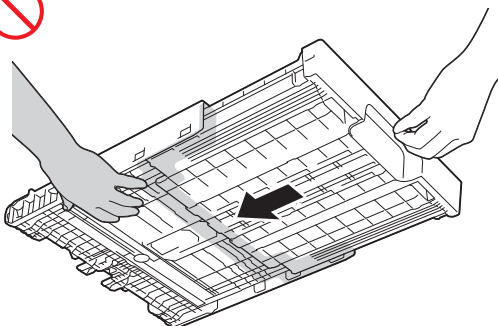
---

To prevent injuries, be careful not to put your fingers in the areas shown in the illustrations.



---

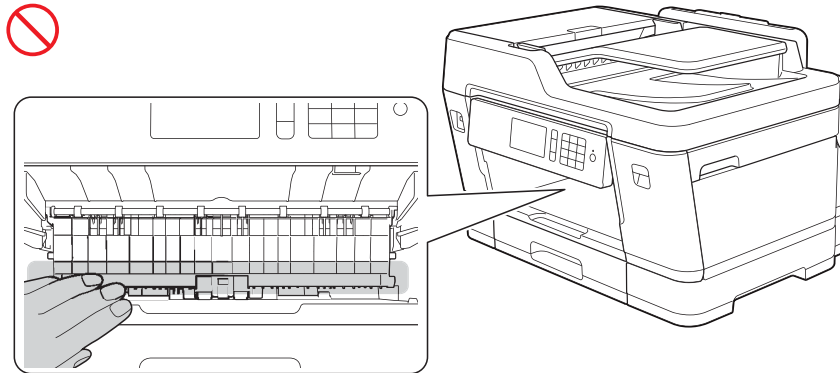
When changing the tray size from the Ledger, A3, Legal or Folio size to the original size, be careful not to pinch your fingers in the gaps or slots in the bottom of the tray. It may cause injury to you.



---

(MFC-J6530DW/J6535DW/J6730DW/J6930DW/J6935DW)

Be careful not to put your fingers in the areas shown in the illustrations. It may cause injury to you.

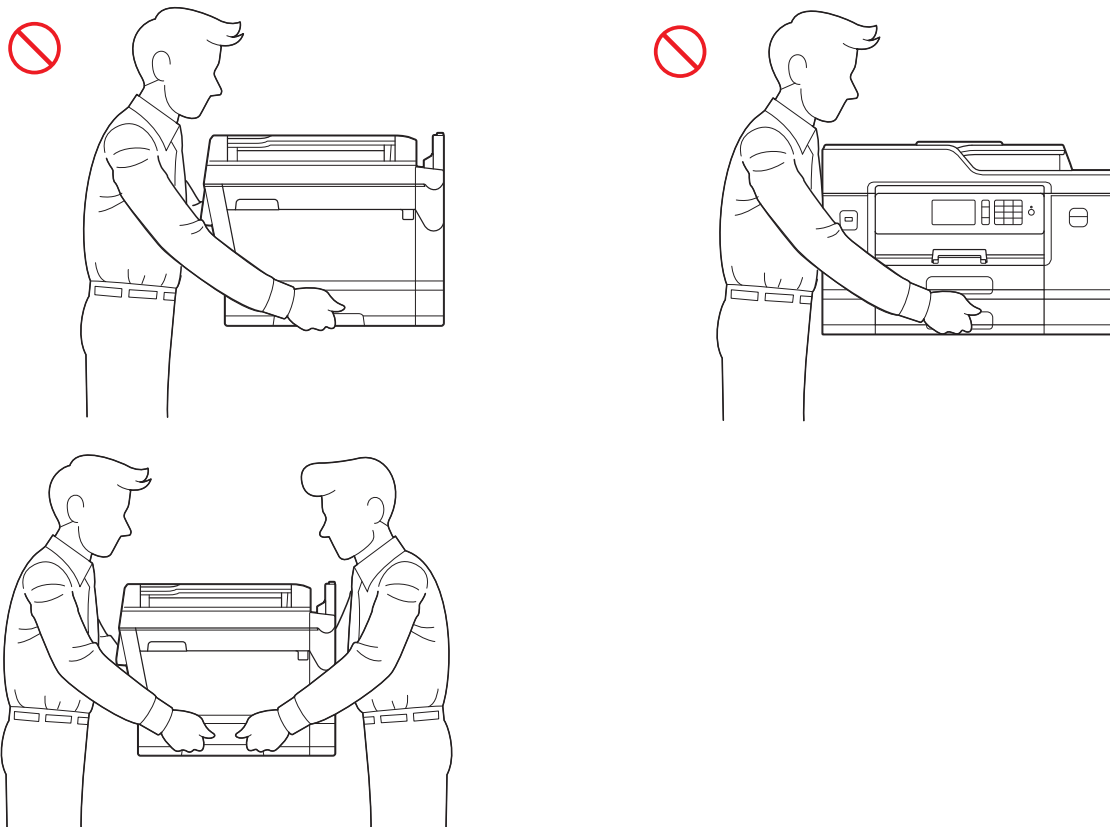


---

(MFC-J5930DW/J6530DW/J6535DW/J6730DW/J6930DW/J6935DW)

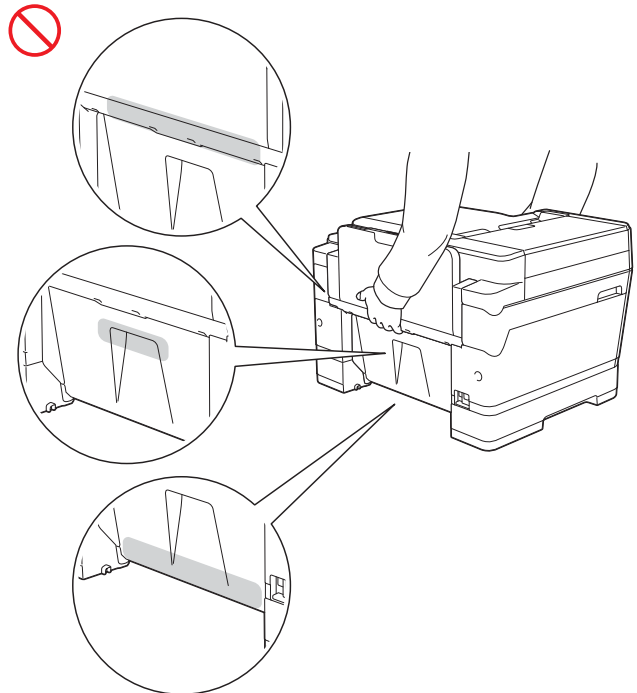
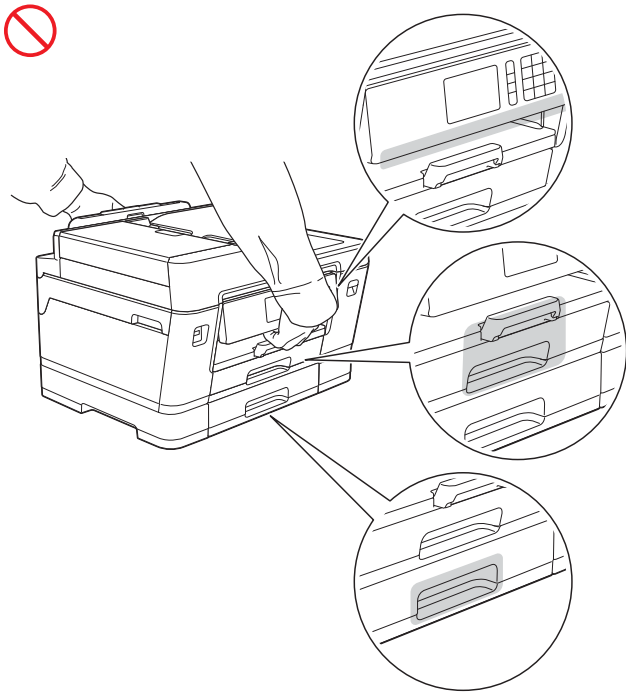
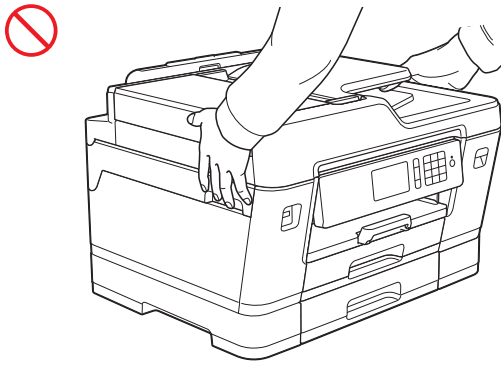
To prevent possible injuries, at least two people should lift the product. One person should hold the front of the product, and one person should hold the back, as shown in the illustration below. Carry the product by sliding your hands into the handhold indentations located on each side of the product. Be careful not to trap your fingers when you put the product down.

DO NOT carry the product by holding the lower tray when it is installed. The lower tray could fall and cause injury to you.



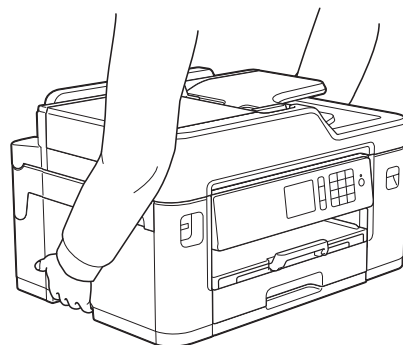
---

DO NOT carry the product by holding the areas shown in the illustrations. Doing this may cause the product to slip out of your hands and may result in injury.



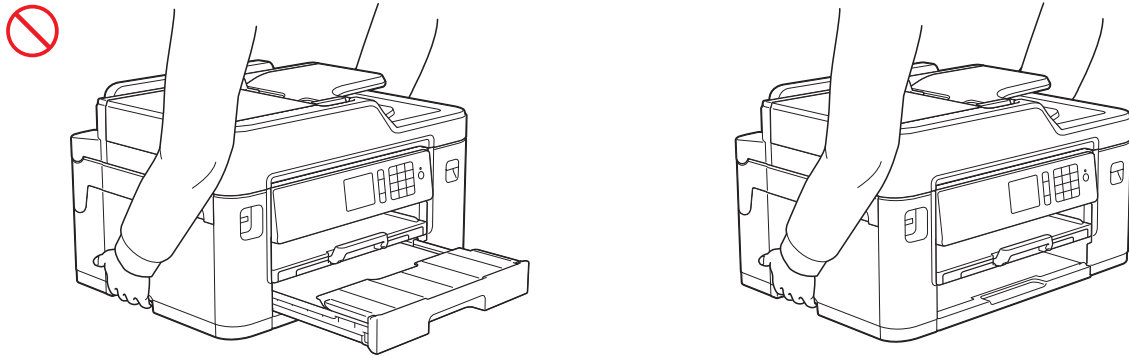
(MFC-J5330DW/J5830DW)

Carry the product by sliding your hands into the handhold indentations located on each side of the product.



---

When carrying the product, remove the trays if they have been expanded to hold large paper such as Ledger, A3, Legal or Folio size paper. The weight of the paper could cause the trays to fall and cause injury to you.



---

If the ink contacts your skin or gets into your eye or mouth, please follow these steps immediately:

- If your skin comes into contact with the ink, wash your skin with water and soap immediately.
- If the ink gets into your eye, rinse it with water immediately. If left as is, it may cause redness or mild inflammation of the eye. In case of any abnormality, consult with your doctor.
- If the ink gets into your mouth, spit it out, rinse your mouth, and consult your doctor immediately.

- 
- Be careful not to get the ink in your eye when replacing the ink cartridge.
  - Keep the ink cartridge out of the reach of children.
  - DO NOT shake the ink cartridge. The ink may leak out if the cartridge is shaken or twirled.
  - DO NOT take apart the ink cartridge. The cartridge cannot be used if it is taken apart. The ink may get in your eye or make contact with your skin if you take apart the cartridge.

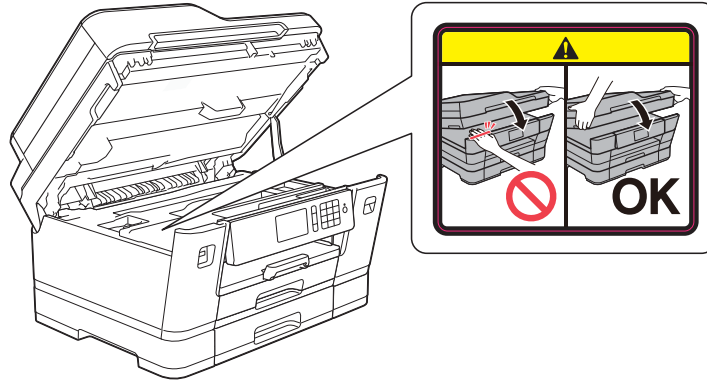
---

When multiple devices, including this product, are connected to a computer using USB cables, you may feel an electrical charge when you touch metal parts of the product. Avoid touching them.

---

(MFC-J6530DW/J6535DW/J6730DW/J6930DW/J6935DW)

DO NOT remove or damage any of the caution or warning labels inside the product.



---

## IMPORTANT

- Disruption of power can wipe out information in the product's memory.
- If the product does not operate normally when the operating instructions are followed, adjust only those controls that are covered by the operating instructions. Incorrect adjustment of other controls may result in damage and will often require extensive work by a qualified technician to restore the product to normal operation.
- A distinct change in the product's performance may indicate a need for service.
- DO NOT connect your product to an AC power outlet controlled by wall switches, automatic timers or to the same circuit as a large appliance, such as an air conditioner, copier, shredder, or other equipment that requires a significant amount of electricity to operate. Operating this product in conjunction with the other product(s) could create an overvoltage, tripping your circuit breaker or blowing your fuse; or might disrupt the power supply. Disruption of the power supply may delete information from the product's memory and repeated cycling of the power supply can damage the product.
- We recommend that you use our genuine ink cartridges to replace the cartridge that comes with the device. Non-genuine ink cartridges may cause damage to the print head. They may also result in differences in the colors or storage stability. (Not all non-genuine ink cartridges cause these issues.)

---

## Important safety instructions

DO NOT attempt to service this product yourself because opening or removing covers may expose you to dangerous voltage points and other risks and may void your warranty. Refer all servicing to a Brother Authorized Service Center. For the location of your nearest Brother Authorized Service Center, please contact:

In USA: 1-877-BROTHER (1-877-276-8437)

In Canada: [www.brother.ca/support](http://www.brother.ca/support)

# Regulation

## WARNING

When using your telephone equipment, basic safety precautions should always be followed to reduce the risk of fire, electrical shock and injury to people, including the following:

- DO NOT allow this product to come into contact with water. This product should not be used around standing water, including a bath tub, sink, or swimming pool; around appliances containing water, including a refrigerator; or in a wet basement.
- Avoid using this product during a thunderstorm. There may be a remote risk of electrical shock from lightning.
- DO NOT use this product to report a gas leak in the vicinity of the leak.



To reduce the risk of fire, electrical shock and injury to people;

- Use only a No. 26 AWG or larger telecommunication line cord.

## CAUTION

This product must be installed near an AC power outlet that is easily accessible. In case of an emergency, you must unplug the power cord from the AC power outlet to shut off the power completely.

## Standard telephone and FCC notices

**These notices are in effect on models sold and used in the United States only.**

**When programming emergency numbers or making test calls to emergency numbers:**

- Remain on the line and briefly explain to the dispatcher the reason for the call before hanging up.
- Perform these activities in the off-peak hours, such as early morning or late evening.

This equipment complies with Part 68 of the FCC rules and the requirements adopted by the ACTA. On the backside of this equipment is a label that contains, among other information, a product identifier in the format US: AAAEQ##TXXXX. If requested, this number must be provided to the telephone company.

You may safely connect this equipment to the telephone line by means of a standard modular jack, USOC RJ11C.

A plug and jack used to connect this equipment to the premises wiring and telephone network must comply with the applicable FCC Part 68 rules and requirements adopted by the ACTA. A compliant telephone cord and modular plug is provided with this product. It is designed to be connected to a compatible modular jack that is also compliant. See installation instructions for details.

The REN is used to determine the number of devices that may be connected to a telephone line. Excessive RENs on a telephone line may result in the devices not ringing in response to an incoming call. In most but not all areas, the sum of RENs should not exceed five (5.0). To be certain of the number of devices that may be connected to a line, as determined by the total RENs, contact the local telephone company. For products approved after July 23, 2001, the REN for this product is part of the product identifier that has the format US:AAAEQ##TXXXX. The digits represented by ## are the REN without a decimal point (e.g., 06 is a REN of 0.6). For earlier products, the REN is separately shown on the label.

If this equipment causes harm to the telephone network, the telephone company will notify you in advance that temporary discontinuance of service may be required. But if advance notice is not practical, the telephone company will notify the customer as soon as possible. Also, you will be advised of your right to file a complaint with the FCC if you believe it is necessary.

The telephone company may make changes in its facilities, equipment, operations or procedures that could affect the operation of the equipment. If this happens the telephone company will provide advance notice in order for you to make necessary modifications to maintain uninterrupted service.

If trouble is experienced with this equipment, for repair or warranty information, please contact Brother Customer Service. (See *Basic User's Guide: Brother Numbers*) If the equipment is causing harm to the telephone network, the telephone company may request that you disconnect the equipment until the problem is resolved.

Connection to party line service is subject to state tariffs. Contact the state public utility commission, public service commission or corporation commission for information.

If your home has specially wired alarm equipment connected to the telephone line, ensure the installation of this equipment does not disable your alarm equipment. If you have questions about what will disable alarm equipment, call your telephone company or a qualified installer.

If you are not able to solve a problem with your product, call Brother Customer Service. (See *Basic User's Guide: Brother Numbers*)

## WARNING



For protection against the risk of electrical shock, always disconnect all cables from the wall outlet before servicing, modifying or installing the equipment.

## IMPORTANT

- This equipment may not be used on coin service lines provided by the telephone company or connected to party lines.
- Brother cannot accept any financial or other responsibilities that may be the result of your use of this information, including direct, special or consequential damages. There are no warranties extended or granted by this document.
- This product has been certified to comply with FCC standards, which are applied to the USA only.

## Federal Communications Commission (FCC) Declaration of Conformity (USA only)

---

Responsible Party: Brother International Corporation  
200 Crossing Boulevard  
Bridgewater, NJ 08807-0911 USA  
TEL: (908) 704-1700

declares, that the products

Product Name:

MFC-J5330DW/J5830DW/J5930DW/J6530DW/J6535DW/J6730DW/J6930DW/J6935DW

comply with Part 15 of the FCC Rules. Operation is subject to the following two conditions: (1) This device may not cause harmful interference, and (2) this device must accept any interference received, including interference that may cause undesired operation.

This equipment has been tested and found to comply with the limits for a Class B digital device, pursuant to Part 15 of the FCC Rules. These limits are designed to provide reasonable protection against harmful interference in a residential installation. This equipment generates, uses, and can radiate radio frequency energy and, if not installed and used in accordance with the instructions, may cause harmful interference to radio communications. However, there is no guarantee that interference will not occur in a particular installation. If this equipment does cause harmful interference to radio or television reception, which can be determined by turning the equipment off and on, the user is encouraged to try to correct the interference by one or more of the following measures:

- Reorient or relocate the receiving antenna.
- Increase the separation between the equipment and receiver.
- Connect the equipment into an outlet on a circuit different from that to which the receiver is connected.
- Consult the dealer or an experienced radio/TV technician for help.
- This transmitter must not be co-located or operated in conjunction with any other antenna or transmitter.

### **IMPORTANT**

---

- Changes or modifications not expressly approved by Brother Industries, Ltd. could void the user's authority to operate the equipment.
  - A specific shielded interface cable should be used to ensure compliance with the limits for a Class B digital device.
-

## **RF Exposure Notice (USA or Canada only) (Wireless models only)**

---

This equipment complies with FCC/IC radiation exposure limits set forth for an uncontrolled environment and meets the FCC radio frequency (RF) Exposure Guidelines and RSS-102 of the IC radio frequency (RF) Exposure rules. This equipment should be installed and operated keeping the radiator at least 20 cm or more away from person's body.

Cet équipement est conforme aux limites d'exposition aux rayonnements énoncées pour un environnement non contrôlé et respecte les lignes directrices d'exposition aux fréquences radioélectriques (RF) de la FCC et les règles d'exposition aux fréquences radioélectriques (RF) CNR-102 de l'IC. Cet équipement doit être installé et utilisé en gardant une distance de 20 cm ou plus entre le radiateur et le corps humain.

## **Wireless connection (Mexico only)**

---

The operation of this equipment is subject to the following two conditions:

- (1) it is possible that this equipment or device may not cause harmful interference, and
- (2) this equipment or device must accept any interference, including interference that may cause undesired operation.

La operación de este equipo está sujeta a las siguientes dos condiciones:

- (1) es posible que este equipo o dispositivo no cause interferencia perjudicial y
- (2) este equipo o dispositivo debe aceptar cualquier interferencia, incluyendo la que pueda causar su operación no deseada.

## **Industry Canada Compliance Statement (Canada only)**

---

This device complies with Industry Canada licence-exempt RSS standard(s). Operation is subject to the following two conditions: (1) this device may not cause interference, and (2) this device must accept any interference, including interference that may cause undesired operation of the device.

Le présent appareil est conforme aux CNR d'Industrie Canada applicables aux appareils radio exempts de licence. L'exploitation est autorisée aux deux conditions suivantes : (1) l'appareil ne doit pas produire de brouillage, et (2) l'utilisateur de l'appareil doit accepter tout brouillage radioélectrique subi, même si le brouillage est susceptible d'en compromettre le fonctionnement.

## EQUIPMENT ATTACHMENT LIMITATIONS (Canada only)

---

### NOTICE

This product meets the applicable Innovation, Science and Economic Development Canada technical specifications.

Le présent produit est conforme aux spécifications techniques applicables d'Innovation, Sciences et Développement économique Canada.

### NOTICE

The Ringer Equivalence Number (REN) indicates the maximum number of devices allowed to be connected to a telephone interface. The termination of an interface may consist of any combination of devices subject only to the requirement that the sum of the RENs of all the devices not exceed five.

L'indice d'équivalence de la sonnerie (IES) sert à indiquer le nombre maximal de dispositifs qui peuvent être raccordés à une interface téléphonique. La terminaison d'une interface peut consister en une combinaison quelconque de dispositifs, à la seule condition que la somme des IES de tous les dispositifs n'excède pas cinq.

## For use in the USA or Canada only

---

These product are made for use in the USA and Canada only. We cannot recommend using them overseas because it may violate the Telecommunications Regulations of that country and the power requirements of your product may not be compatible with the power available in foreign countries. Using USA or Canada models overseas is at your own risk and may void your warranty.

## LAN connection (Models with Wired LAN function only)

---

### CAUTION

DO NOT connect this product to a LAN connection that is subject to over-voltages.

## International ENERGY STAR® Qualification Statement

---

The purpose of the International ENERGY STAR® Program is to promote the development and popularization of energy-efficient equipment.

As an ENERGY STAR® Partner, Brother Industries, Ltd. has determined that this product meets the ENERGY STAR® specifications for energy efficiency.



## Trademarks

Windows, Windows Vista and Windows Phone are either registered trademarks or trademarks of Microsoft Corporation in the United States and/or other countries.

Apple, Macintosh and Mac are trademarks of Apple Inc., registered in the United States and other countries.

App Store is a service mark of Apple Inc.

Wi-Fi® is a registered trademark of Wi-Fi Alliance®.

Wi-Fi Protected Setup™ is a trademark of Wi-Fi Alliance®.

Android and Google Play are trademarks of Google, Inc. Use of these trademarks are subject to Google Permissions.

magicJack® is a registered trademark of magicJack VocalTec Ltd.

Each company whose software title is mentioned in this manual has a Software License Agreement specific to its proprietary programs.

**Any trade names and product names of companies appearing on Brother products, related documents and any other materials are all trademarks or registered trademarks of those respective companies.**

## Open Source Licensing Remarks

This product includes open-source software.

To see the open source licensing remarks, please go to the manual download selection on your model's home page of Brother Solutions Center at [support.brother.com](http://support.brother.com).

## Copyright and License

©2016 Brother Industries, Ltd. All rights reserved.

This product includes software developed by the following vendors:

©1983-1998 PACIFIC SOFTWARES, INC. ALL RIGHTS RESERVED.

©2008 Devicescape Software, Inc. All rights reserved.

This product includes the "KASAGO TCP/IP" software developed by ZUKEN ELMIC, Inc.

## Other Information

FlashFX<sup>®</sup> is a registered trademark of Datalight, Inc.

FlashFX<sup>®</sup> Copyright 1998-2014 Datalight, Inc.

U.S. Patent Office 5,860,082/6,260,156

FlashFX<sup>®</sup> Pro<sup>™</sup> is a trademark of Datalight, Inc.

FlashFX<sup>®</sup> Tera<sup>™</sup> is a trademark of Datalight, Inc.

Reliance<sup>™</sup> is a trademark of Datalight, Inc.

Reliance Nitro<sup>™</sup> is a trademark of Datalight, Inc.

Datalight<sup>®</sup> is a registered trademark of Datalight, Inc.

Copyright 1989-2014 Datalight, Inc., All Rights Reserved

## Legal limitations for copying

Color reproductions of certain documents are illegal and may result in either criminal or civil liability. The listing below is intended to be a guide rather than a complete listing of every possible prohibition. In case of doubt, we suggest that you consult with the appropriate authority or advisor with regard to the specific document.

The following documents issued by the United States/Canadian Government or any of its Agencies, States, Territories or Provinces may not be copied:

- Money
- Bonds or other certificates of indebtedness
- Certificates of Deposit
- Internal Revenue Stamps (canceled or uncanceled)
- Selective Service or draft papers
- Passports
- United States/Canadian Postage Stamps (canceled or uncanceled)
- Food Stamps
- Immigration Papers
- Checks or drafts drawn by Governmental agencies
- Identifying badges or insignias
- Licenses and Certificates of Title to motor vehicles, under certain State/Provincial law

Copying copyrighted works may be regulated by Federal, State or local laws. For more information, consult an appropriate authority or advisor.

# brother



[www.brotherearth.com](http://www.brotherearth.com)

D00J56001-00  
USA/CAN  
Version A