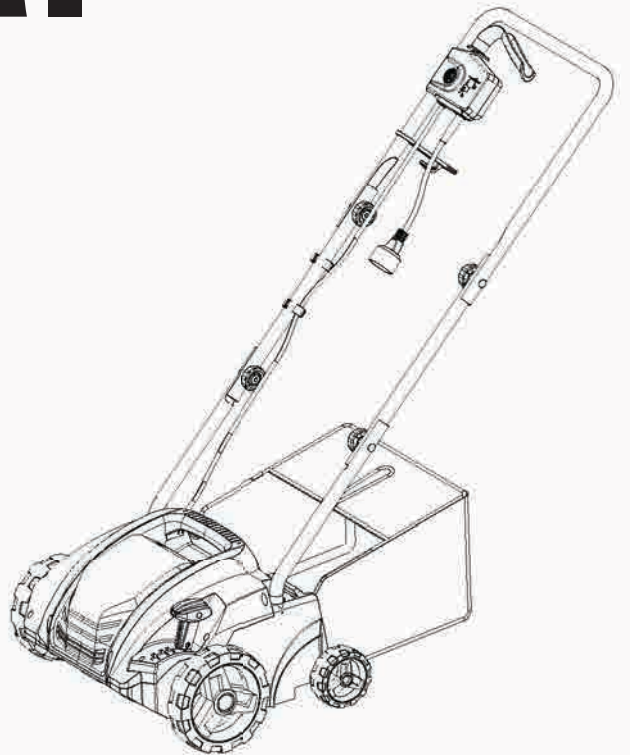




User Manual

W13ADAC

13-in. Aerator / Dethatcher



DO NOT RETURN THIS PRODUCT TO THE STORE

If you have questions or need assistance, please call customer service at 855-944-3571.

TABLE OF CONTENTS

Introduction	2-3
Safety	4-6
Electrical Safety.....	6-7
Components.....	8
Assembly	9
Operation	10-11
Maintenance.....	12
Troubleshooting	13
Service Hot Line/Company Address.....	Back Page

INTRODUCTION

⚠ WARNING Operating, servicing, and maintaining this equipment may expose you to chemicals which are known to the State of California to cause cancer and birth defects or other reproductive harm. To minimize exposure, wear gloves or wash your hands frequently when servicing this equipment. For more information go to www.P65warnings.ca.gov.

DISCLAIMERS

All information, illustrations, and specifications in this manual were in effect at the time of publishing. The illustrations used in this manual are intended as representative reference views only. We reserve the right to make any specification or design change without notice.

ALL RIGHTS RESERVED

All rights reserved. No reproduction allowed in any form without written permission from Westinghouse Outdoor Power Equipment.



⚠ DANGER Read this manual before using or performing maintenance on this product. Failure to follow the instructions and safety precautions in this manual can result in serious injury or death.

UPDATES

The latest User Manual for Westinghouse products can be found under the support tab. wpowereq.com/pages/manuals

Or scan the following QR code with a smartphone camera to be directed to the link.



PRODUCT REGISTRATION

For trouble-free warranty coverage, it is important to register the Westinghouse product.

Register by:

- Going online at: wpowereq.com/pages/warranty-registration
- Scanning the following QR code with a smartphone camera to be directed to the mobile registration link.



For Your Records

Date of Purchase: _____
Model Number: _____
Serial Number: _____
Place of Purchase: _____

- Sending the following product information to:
Westinghouse Outdoor Power
Warranty registration
777 Manor Park Drive
Columbus, OH 43228

IMPORTANT: Keep the purchase receipt for trouble-free warranty coverage.

INTRODUCTION

SPECIFICATIONS

Motor 120 V / 60 Hz / 12 Amps
No-load speed..... 3300 RPM
Width 13 in. (330 mm)

NOTICE

This product is designed and rated for continuous operation at ambient temperatures above 23°F (-5°C). If needed, this product can be operated in extremely cold temperatures for short periods. If the product is exposed to extreme temperatures during storage, it should be brought back within the optimal temperature range before operation.

NOTICE

Thank you for choosing Westinghouse! PLEASE READ BEFORE RETURNING THIS PRODUCT FOR ANY REASON. If you have a question or experience a problem with your Westinghouse purchase, call us at 1-855-944-3571 to speak with an agent.

SAVE THIS MANUAL FOR FUTURE REFERENCE.

HAVE QUESTIONS?
Email us at service@wpowereq.com
or call 1-855-944-3571

SAFETY

SAFETY DEFINITIONS

The words DANGER, WARNING, CAUTION, and NOTICE are used throughout this manual to highlight important information. Be sure that the meanings of this safety information are known to all who operate, perform maintenance on, or are near the tool.



This safety alert symbol appears with most safety statements. It means attention, become alert, safety is involved! Please read and abide by the message that follows the safety alerts symbol.

DANGER Indicates a hazardous situation which, if not avoided, will result in death or serious injury.

WARNING Indicates a hazardous situation which, if not avoided, could result in death or serious injury.

CAUTION Indicates a hazardous situation which, if not avoided, could result in minor or moderate injury.

NOTICE Indicates a situation which can cause damage to the unit, personal property, and/or the environment, or cause the equipment to operate improperly.

NOTE: Indicates a procedure, practice or condition that should be followed for the unit to function in the manner intended.

SAFETY SYMBOLS

Follow all safety information contained in this user manual as well as the information on the product labeling.

SYMBOL	DESCRIPTION
	Safety Alert Symbol. Indicates a potential personal injury hazard.
	Read User Manual. To reduce the risk of injury, the user must read and understand user manual before using this product.

SYMBOL	DESCRIPTION
	WARNING! Electrical shock hazard.
	Wet Conditions Alert. Do not expose plug to water or rain.
	DANGER! Cutting/dismemberment hazard. Keep feet away from the rotating paddle.
	DANGER! Cutting/dismemberment hazard. Keep Hands away from the rotating paddle. Do not use hands to unclog rotor housing. Stop motor before removing debris.
	Keep the flexible power supply cord away from the rotating paddle.
	Wear safety gloves during use to protect hands. Wear safety footwear at all times to provide protection against objects that may accidentally fall on feet.
	Keep bystanders and children a safe distance away from the work area.
	CAUTION! Beware of stones and other foreign objects that could be thrown from the product.
	Always keep the power cable away from heat sources, oils, or sharp edges. Immediately remove plug from the mains if the cable is damaged, frayed, or entangled.
	Wear hearing and eye protection. Always wear eye protection with side shields marked to comply with ANSI Z87.1.
	WARNING! Turn the machine OFF and disconnect it from the power supply before inspecting, cleaning, changing accessories, or any other maintenance task.
	DOUBLE INSULATED. Grounding not required. When servicing, use only identical replacement parts.
	The rotating part will continuously run for several seconds after you turn off the machine.

SAFETY



WARNING

READ AND UNDERSTAND ALL INSTRUCTIONS. Failure to follow all instructions listed below and on the machine may result in electric shock, fire, and/or serious personal injury.

- Read the user manual carefully. Learn its applications and limitations, as well as the specific potential hazards related to this tool. Following this rule will reduce the risk of electric shock, fire, or serious injury.
- Do not permit children to use this tool.
- Only use accessories that are recommended by the manufacturer for the model described in this manual. Use only as described in this manual.
- Do not put any object into openings. Do not use with any opening blocked; keep free of dust, lint, hair, and anything that may reduce air flow.
- Keep hair, loose clothing, fingers, and all parts of body away from openings and moving parts.
- Be sure the extension cord is in good condition. When using an extension cord, be sure to use one heavy enough to carry the current that the product will use. A wire gauge size (A.W.G.) of at least 14 is recommended for an extension cord 50 feet or less in length. If in doubt, use the next heavier gauge. The smaller the gauge number, the heavier the cord. An undersized cord will cause a drop in line voltage resulting in loss of power and overheating.
- **WARNING:** Use outdoor extension cords marked SW-A, SOW-A, STW-A, STOW-A, SJW-A, SJTW-A, or SJTOW-A. These cords are rated for outdoor use and reduce the risk of electric shock.
- This product is designed with a cord retainer that prevents the extension cord from being pulled loose while using.
- If cord is damaged in any manner while plugged in, pull extension cord from wall receptacle.
- Never carry the tool by the cord or yank it to disconnect from a receptacle. Keep the cord from heat, oil, and sharp edges.
- Keep hands away from moving parts.
- Avoid Unintentional Starting – Do not carry plugged in appliances with a finger on the switch trigger. Be sure the switch trigger is not engaged before plugging in.
- Do not use the tool if the switch trigger does not turn it on or off. Any tool that cannot be controlled with the switch trigger is dangerous and must be repaired.
- Do not operate this tool in the presence of flammable liquids, gases, or dust.
- Keep bystanders, children, and visitors at least 100 ft. away while operating this tool.
- If the appliance is not working as it should, has been dropped, damaged, left outdoors, or dropped into water, call customer service.
- Do not use this product while tired, upset, or under the influence of drugs, alcohol, or medication. A moment of inattention while operating this product may result in serious personal injury.
- Use safety equipment. A dust mask, non-skid safety shoes, hard hat, or hearing protection must be used for appropriate conditions.
- Do not wear loose clothing, scarves, or jewelry. They can be caught in moving parts.
- Inspect for misalignment or binding of moving parts, breakage of parts, and any other condition that may affect operation. If damaged, call customer service.
- Keep this product and the handle dry, clean and free from oil and grease. Always use a clean cloth when cleaning. Never use brake fluids, gasoline, petroleum-based products, or any strong solvents to clean this tool. Following this rule will reduce the risk of loss of control and deterioration of the enclosure plastic.
- Always wear safety glasses with side shields. Everyday glasses have only impact resistant lenses. They are NOT safety glasses. Following this rule will reduce the risk of eye injury.
- Always wear eye protection with side shields marked to comply with ANSI Z87.1 along with hearing protection when operating this equipment.
- Protect hearing – Wear hearing protection during extended periods of operation. Following this rule will reduce the risk of serious personal injury.
- Do not expose this tool to rain. Water will increase the risk of electric shock.
- Wear heavy long pants, long sleeves, boots, and gloves. Avoid loose garments or jewelry that could get caught in moving parts of the machine or its motor.
- Wear rubber boots when operating this tool. Protective footwear will protect feet and improve footing on slippery surfaces. Do not operate barefoot or while wearing sandals.
- Keep firm footing and balance. Do not overreach. Overreaching can result in loss of balance.
- Do not operate this tool in a direction that will cause debris or dust to be thrown towards people or pets.
- Store this tool indoors — When not in use, this tool should be stored indoors in a dry, locked up place — unplugged and out of the reach of children.
- Keep all bystanders, children, and pets at least 100 ft. away.
- When servicing this tool, use only identical replacement parts. Replace or repair damaged cords. Follow all instructions in the Maintenance section of this manual. Use of unauthorized parts or failure to follow Maintenance Instructions may create a risk of shock or injury.
- Never use this tool near fires, fireplaces, or hot ashes. Use near fires or ashes can spread fires and result in serious injury and/or property damage.
- Inspect the work area before each use. Remove all objects such as rocks, broken glass, nails, wire, or string that can be thrown or become entangled in the machine.
- Do not use this tool on ice. This can cause the operator to slip and fall, resulting in possible serious personal injury.
- Never use this tool on frozen lakes, rivers, or similar surfaces. Serious injury or death could occur if the ice breaks.
- Never use this tool on a rooftop or other unstable surface. This can result in death or serious personal injury.
- For household use only.
- Use the right appliance — Do not use this tool for any purpose other than the intended purpose.
- Do not force this tool - It will operate better and safer at the

SAFETY

- rate for which it was designed.
- If this tool strikes a foreign object, follow these steps:
 - Release the switch trigger and wait until the tool stops completely.
 - Disconnect this tool from the power supply.
 - Thoroughly inspect the tool for any damage.
 - Repair any damage before restarting and operating the tool.
- Do not lift or hold this tool above the ground when operating. This can result in loss of control and possible serious personal injury. Only operate this tool in accordance with the operating instructions provided in this manual.
- Keep the guards in place and in working order.
- Disconnect the plug from power sources when not in use, before servicing, and when changing accessories.
- Follow all instructions for lubricating and changing accessories.
- Retain these instructions.** Refer to them frequently and use them to instruct others who may use this tool.

ELECTRICAL SAFETY

DOUBLE-INSULATED APPLIANCES

In a double-insulated appliance, two systems of insulation are provided instead of grounding. No grounding means is provided on a double-insulated appliance, nor should a means for grounding be added to the appliance. Servicing a double-insulated appliance requires extreme care and knowledge of the system, and should be performed only by qualified service personnel.

Replacement parts for a double-insulated appliance must be identical to the parts they replace. A double-insulated appliance is marked with the words “Double Insulation” or “Double Insulated.” The symbol (square within a square) may also be marked on the appliance.

This electric tool is double-insulated, eliminating the need for a separate grounding system. Use only identical replacement parts. Read the instructions before servicing double-insulated appliances. Use this tool only as described in this manual.

EXTENSION CORDS

See Figure 1.

When using a power tool at a considerable distance from a power source, be sure to use an extension cord that has the capacity to handle the current the product will use. An undersized cord will cause a drop in line voltage. This can result in overheating and loss of power. Use the chart to determine the minimum wire size required in an extension cord. Only round jacketed cords listed by Underwriter’s Laboratories (UL) should be used.

When working outdoors with a product, use an extension cord that is designed for outside use. This type of cord is designated with “WA” or “W” on the cord’s jacket. Be sure to use a heavy gauge (A.W.G.) wire for the product based on the chart below. In doubt, use the next heavier gauge. (smaller gauge numbers equal heavier

cords). Using an undersized cord will cause a drop in line voltage and result in loss of power and overheating.


**Ampere rating (on product data plate)


	0-2.0	2.1-3.4	3.5-5.0	5.1-7.0	7.1-12.0	12.1-16.0
Cord Length	Wire Size (A.W.G.)					
25'	16	16	16	16	14	14
50'	16	16	16	14	14	12

**Used on 12 gauge – 20 amp circuit.
NOTE: AWG = American Wire Gauge

Before using any extension cord, inspect it for loose or exposed wires and cut or worn insulation.

It is possible to tie the extension cord and power cord in a knot to prevent them from becoming disconnected during use. See Figure 1. Make the knot. Connect the plug end of the power cord into the receptacle end of the extension cord. This method can also be used to tie two extension cords together.

 **WARNING** Keep the extension cord clear of the working area. Position the cord so that it will not get caught on lumber, tools, or other obstructions while working with a power tool. Failure to do so can result in serious personal injury.

 **WARNING** Inspect extension cords before each use. If damaged, replace the extension cord immediately. Never use the product with a damaged cord. Contact with the damaged area could cause an electrical shock and result in serious injury.

ELECTRICAL SAFETY

ELECTRICAL CONNECTION

This product has a precision-built electric motor. It should be connected to a power supply that is **nominal 120 V / 60 Hz AC (typical U.S. household circuit)**. Do not operate this product on direct current (DC). A substantial voltage drop will cause a loss of power and the motor will overheat. If the product does not operate when plugged into an outlet, check the power supply.

SPEED AND WIRING

The speed is not constant and decreases under a load or with lower voltage. For voltage, the wiring in a shop is as important as the motor's horsepower rating. A line intended only for lights cannot properly carry a power tool motor. Wire that is heavy enough for a short distance will be too light for a greater distance. A line that can support one power tool may not be able to support two or three tools.

POLARIZED PLUG

See Figure 2.

To reduce the risk of electric shock, this product has a polarized plug featuring one blade that is wider than the other. Do not modify the plug provided. The plug will fit into a polarized extension cord only one way. Use only a polarized UL-, CSA-, or ETL-listed extension cord when using this tool. If the plug does not fully fit into the extension cord, reverse the plug. If the plug still does not fit, obtain a correct polarized extension cord. A polarized extension cord will require the use of a polarized wall outlet.

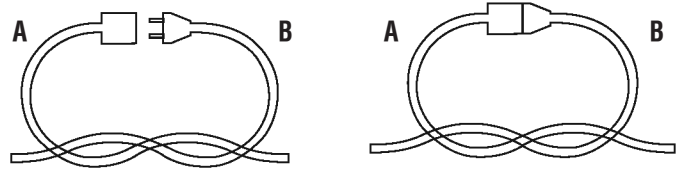
⚠ WARNING Improper installation of a non-polarized extension cord increases the risk of electric shock.

Repair or replace a damaged or worn cord immediately.

This product is for use on a nominal 120 V circuit and has a polarized plug similar to the plug shown in Figure 2. Only connect the product to an extension cord that has the same configuration as the plug. Do not use an adapter with this product.

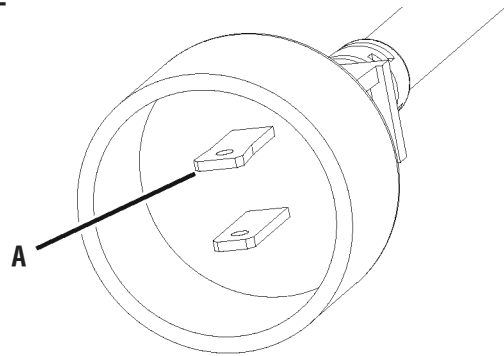
FIG. 1

TIE CORDS AS SHOWN



A - Extension cord
B - Appliance cord

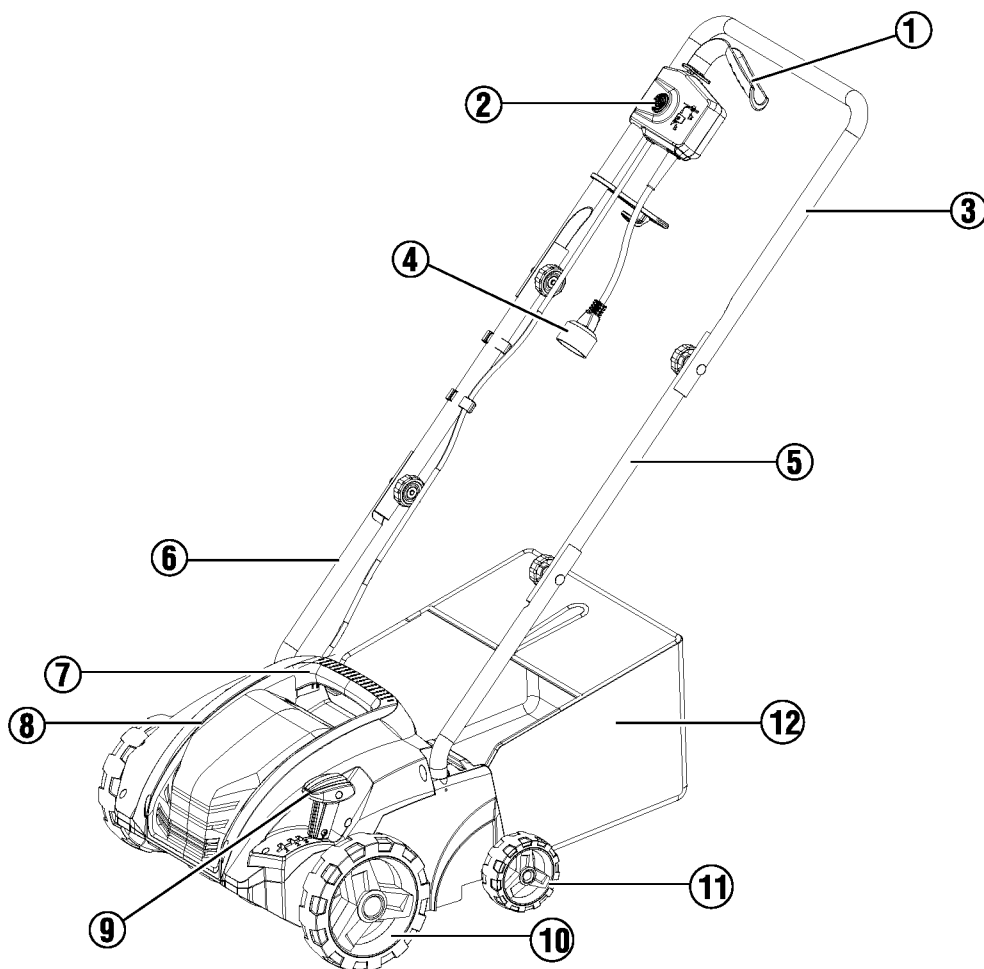
FIG. 2



A - Polarized blade

COMPONENTS

FIG. 3



UNDERSTANDING THE TOOL

See Figure 3.

To reduce the risk of personal injury and product failure, read and understand the information in this user manual and the information on the product labeling.

SWITCH LEVER (1)

LOCK-OUT BUTTON (2)

UPPER HANDLE (3)

POWER CABLE (4)

MIDDLE HANDLE (5)

LOWER HANDLE (6)

CARRY HANDLE (7)

MOTOR HOUSING (8)

HEIGHT ADJUSTMENT LEVER (9)

FRONT WHEEL (10)

REAR WHEEL (11)

THATCH BAG (12)

ASSEMBLY

REMOVING CARTON CONTENTS

⚠ WARNING This product requires assembly. Do not attempt to operate this product if any items in the **INCLUDED LIST** are already assembled when removing the carton contents. These items are not assembled by the manufacturer and should require customer assembly. Using an improperly assembled product can be hazardous and could result in serious personal injury.

- Remove and inspect the carton contents. Confirm that all the items in the **INCLUDED LIST** are present and undamaged.

INCLUDED LIST	
ITEM	QUANTITY
Motor housing	1
Switch Box	1
Lower Handle	2
Upper Handle	1
Middle Handle	2
Cord Clamp	2
Locking Knob	4
Screw	4
Scarifier Blade ⁽¹⁾	1
Rake Blade	1
Thatch Bag	1
Allen Wrench	1
Extension Cord Holder	1
⁽¹⁾ Pre-installed on the motor housing	

If any parts are missing, contact customer service at service@wpowereq.com or call 1-855-944-3571.

⚠ WARNING Do not alter or modify this product unless instructed otherwise in this manual or by the manufacturer. Do not use attachments or accessories that are not recommended for use with this product. Making unauthorized modifications and using incompatible accessories can damage the unit and may void the warranty.

⚠ WARNING Do not connect to power supply until assembly is complete. Failure to comply could result in accidental starting and possible serious personal injury.

ASSEMBLING THE TOOL

- See Figure 4. Lift the thatch cover and attach the thatch bag (1) to the motor housing.
- See Figure 5. Remove the screw (2) from the motor housing. Complete this step for both sides. Retain the screw.
- Insert the lower handle (1) into the motor housing and secure with the screw (2). Complete this step for both sides.

FIG. 4

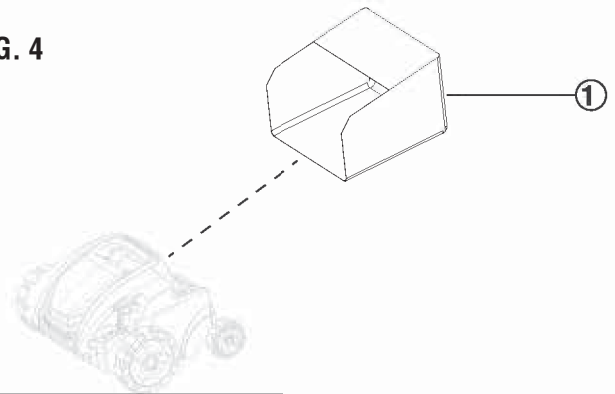
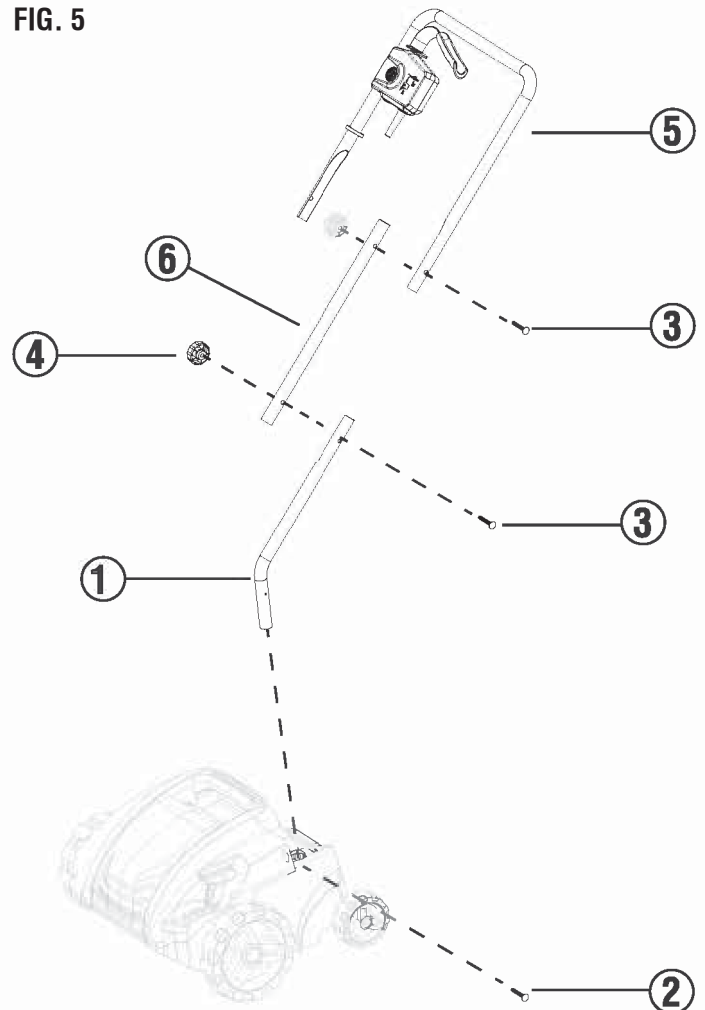


FIG. 5



- Attach the middle handle (6) to the lower handle (1) and secure with the screw (3) and locking knob (4). Complete this step for both sides.
- Attach the upper handle (5) to the lower handle (6) and secure with the screw (3) and locking knob. Complete this step for both sides.
- To attach the switch box to the upper handle, remove the two screws from the switch box and remove the plate. Retain the screws.
- Put the switch box and plate on the upper handle and secure with the screws.

OPERATION

WARNING Always wear eye protection with side shields marked to comply with ANSI Z87.1. Failure to do so could result in objects being thrown into your eyes resulting in possible serious injury.

WARNING Do not use any attachments or accessories not recommended by the manufacturer of this product. The use of attachments or accessories not recommended can result in serious personal injury.

WARNING Always disconnect the tool from the power supply when assembling parts, making adjustments, cleaning, or when not in use. This will prevent accidental starting that could cause serious personal injury.

NOTICE Before each use, inspect the entire product for damaged, missing, or loose parts such as screws, nuts, bolts, caps, etc. Tighten securely all fasteners and caps and do not operate this product until all missing or damaged parts are replaced. Please contact customer service.

CONNECTING TO POWER SUPPLY

This product is designed with a cord retainer that prevents the extension cord from coming loose while in use.

1. Form a loop with the extension cord.
2. Put the loop of the extension cord on the extension cord holder.
3. Pull on the cord to reduce the slack and secure it over the hook.
4. Plug the power cord into the extension cord.

NOTE: Removing excess cord slack will help prevent the plug from loosening from the extension cord.

STARTING AND STOPPING THE TOOL

To start the motor:

WARNING Rotating tines can cause serious injury. The tines will continue to turn for a few seconds after operating the tool. Do not touch the rotating tines. Contact with hot components can cause severe burns. Allow the tool to cool before handling.

1. Connect the tool to the power supply.

NOTICE Always secure the extension cord to the unit by using the power cord retainer. Failure to use the power cord retainer may result in damage to the tool and/or extension cord.

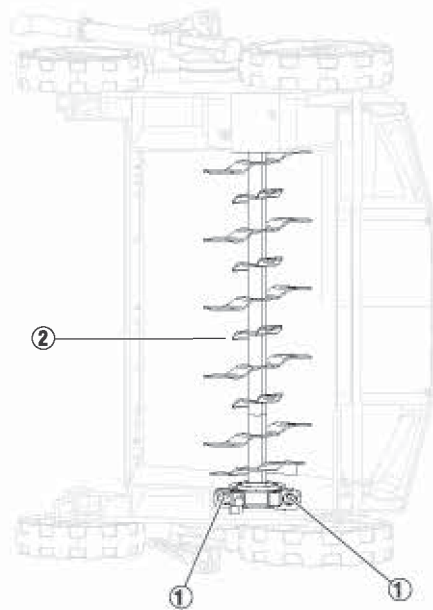
2. Press and hold the lock-out button and squeeze the switch lever.

NOTE: Hold the handle while squeezing the switch lever. Once the tool is on, release the lock-out button.

To stop the motor:

- Release the switch lever.

FIG. 6



DEPTH ADJUSTMENT

The height adjustment knob has four different depth settings.

Depth Setting	Depth
1	-0.47 in. (-12 mm)
2	-0.31 in. (-8 mm)
3	-0.16 in. (-4 mm)
4	0.24 in. (6 mm)

Adjust the depth as needed. The appropriate depth is dependent on the kind of lawn and the height of the grass.

BLADE ASSEMBLY AND REPLACEMENT


See Figure 6.

1. To replace the blade, use the wrench to remove the screws (1). Retain the screws and flat washers.
2. Remove the blade and blade housing from the motor housing.
3. Remove the blade from the blade housing.
4. Insert the replacement blade into the blade housing and secure to the motor housing with the screws and flat washers.


NOTE: The scarifier blade and rake blade are interchangeable. Follow these steps for switching the blades.


OPERATION


OPERATING TIPS


 **WARNING** Never use the tool on a rooftop or other unstable surface. This can result in death or serious personal injury

 **WARNING** Do not wear loose clothing, scarves, or jewelry. They can be caught in moving parts and cause death or serious personal injury.


 **WARNING** Never pass the tool over the extension cord. Be sure that the extension cord is always in a safe position away from the tines.

 **WARNING** When working on inclines, be sure to stand diagonally to the incline to retain firm, safe footing. Do not work on extremely steep slopes.

 **WARNING** Be sure the area to be cleared is free of stones, sticks, wires, gravel, and other objects that could be accidentally thrown by the tool in any direction and cause serious personal injury to the operator and others.


 **WARNING** Before transporting the tool from one area to another, turn off the motor and wait for the tines to stop rotating. Disconnect the tool from the power supply. Be careful not to let the tines touch the ground while transporting the tool.


- If the unit comes in contact with any type of obstruction or debris during use, stop the tool, disconnect from the power supply, remove the obstruction, and inspect the unit carefully for damage before proceeding.


 **WARNING** Never reach into the tines or place any body part in front of the tool when the unit is operating or when the unit is plugged in. Always be sure all moving parts have stopped and the tool has been unplugged before clearing any obstructions. Failure to follow these instructions can result in serious personal injury.

- To clear the tines or the tine shaft, release the switch lever. Wait for the tines to stop and disconnect the tool from the power supply. Dislodge the debris from the tines or the tine shaft.
- Always wear gloves when clearing the tines or the tine shaft.
- Some parts of the tool can freeze under extreme weather conditions. Do not attempt to operate the unit with frozen parts.
- Be sure to empty the thatch bag as needed. Turn off and disconnect the tool from power before emptying the thatch bag.
- Keep the cord clear of obstructions, sharp objects and the rotating paddles. Do not pull sharply on the cord or abuse it in any manner. Frequently inspect the cord for signs of damage. If damage is found, do not use the tool. Contact customer service.
- Disconnect the extension cord after using the electric tool. Hang the extension cord with the tool so it will not be misplaced or damaged.

MAINTENANCE

 **WARNING** Before inspecting, cleaning or servicing the unit, stop the motor, wait for all moving parts to stop, and disconnect the tool from the power supply. Failure to follow these instructions can result in serious personal injury or property damage.


 **WARNING** Always wear eye protection with side shields marked to comply with ANSI Z87.1. Failure to do so could result in objects being thrown into your eyes resulting in possible serious injury.

 **WARNING** Use only authorized replacement parts. Use of any other parts can create a hazard or cause product damage.

NOTICE Periodically inspect the entire product for damaged, missing, or loose parts such as screws, nuts, bolts, and caps. Tighten all fasteners and caps. Do not operate this product until all missing or damaged parts are replaced. Please contact customer service for assistance.

GENERAL MAINTENANCE

Avoid using solvents when cleaning plastic parts. Most plastics are susceptible to damage from various types of commercial solvents and may be damaged by their use. Use clean cloths to remove dirt, dust, oil, and grease.

 **WARNING** Do not let brake fluids, gasoline, petroleum-based products, or penetrating oils contact plastic parts. Chemicals can damage, weaken, or destroy plastic which can result in serious personal injury.

 **CAUTION** Always clean the tool after each use. Failure to clean the tool can result in damage or result in poor performance.

 **CAUTION** Never use a water hose to clean the tool.

Clean beneath the tine guard and motor housing with a scrubbing brush and a soft cloth, damp with a mild soap and water mixture.

To remove soil and debris from the transmission and tines, use a brush or a damp cloth.

Clean the vents on the motor housing and remove any remaining grass or dirt.

After cleaning the tool, dry the tines and shaft and apply a light lubrication oil to prevent rust.

STORING THE TOOL

- Wipe the tool with a clean dry cloth.
- Inspect all nuts, bolts, knobs, screws, and fasteners for tightness.
- Inspect moving parts for damage, breakage, and wear. Have repairs made on any damaged or missing parts.
- Store the tool indoors in a clean, dry place out of the reach of children.
- Do not store near corrosive materials such as fertilizer or rock salt.

TROUBLESHOOTING

PROBLEM	POSSIBLE CAUSE	CORRECTION
Motor does not start	The power supply is faulty	Be sure that the tool is connected to a working power supply.
	The power cord or extension cord is damaged or not plugged in properly	Inspect the power cord, extension cord, power plug, and the power outlet. Do not use the tool if any cord is damaged.
Abnormal noise	The blades are worn or damaged	Replace the blades.
	The working depth is too shallow	Operate the tool at a slower pace and deeper with the tool.
Excessive vibration	Loose components	Inspect the tool and tighten any loose screws, nuts or components. If the noise continues, contact customer service.
Poor performance	The blades are worn or damaged	Replace the blades.
	The working depth is too shallow	Operate the tool at a slower pace and deeper with the tool.
Tool overheating	The motor is overloaded and the thermal protection is activated	Reduce the load on the motor. Wait 15 minutes and try to use the tool again. Avoid using the tool in soil with hard objects or when the soil is wet or frozen.
	The extension cord is too long with an insufficient gauge.	Use an extension cord of the appropriate gauge and length.
Roller does not rotate	The belt is defective.	Contact customer service.



www.WestinghouseOutdoorPower.com

Service Hotline (855) 944-3571

777 Manor Park Drive, Columbus, OH 43228

® and Westinghouse are trademarks of Westinghouse Electric Corporation.

Used under license by Westinghouse Outdoor Power Equipment.

© 2025 MWE Investments, LLC All Rights Reserved.