

36-Inch Pro Harmony® Standard Depth Dual Fuel Range



Product Features

Innovation

The perfect blend of professional grade cooking with a New Contemporary Design that will fit seamlessly into any Kitchen style with a color TFT interface for a full range of cooking functions

Exclusive, patented Star® Burner – most even heating, unsurpassed flame coverage

QuickClean Base® designed for easy surface cleaning

Precision simmering capabilities as low as 100°F (375 BTU) with 2 ExtraLow® Simmer burners

Superfast 2-hour self-clean mode - fastest in the industry

Performance

Professional style, continuous cast iron grates

Continuous porcelain, easy to clean cooking surface

Every burner 18,000 BTU (NG)

Widest range of simmer options from 375 BTU to 3,000 BTU

Star® design delivers superior heat spread for any size pan

Simmer without stirring/scorching with exclusive ExtraLow®

Superior grilling results, 2000 watt electric grill

Titanium surface non-stick, rust-proof cast-aluminum grill grates

Grill accessory-thermostatically controlled for even heating

Titanium surface non-stick, rust-proof cast-aluminum grill accessory

Removable griddle and grill accessory for easy clean-up

Powerful, 8-pass bake and broil elements

Third Element Convection offers precise airflow for cooking on multiple levels without flavor transfer

Massive oven capacity of 5 cu.ft.

Six rack levels for multiple item cooking

Full Access® telescopic racks, integrated easy-grip handle

Electronic oven control ensures precise heating

Large oven door window for maximum viewing

Powerful halogen lighting illuminates the oven cavity

Sabbath mode

Design

Bold Professional design

Truly Flush Mounted™, 24" standard cabinet depth

Patented Pedestal Star® Burner with QuickClean Base™

Restaurant style metal knobs

Signature blue indicator lighting

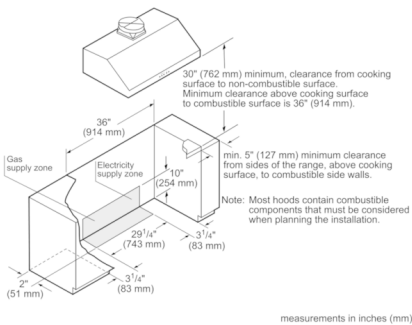
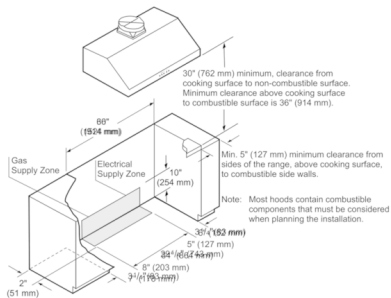
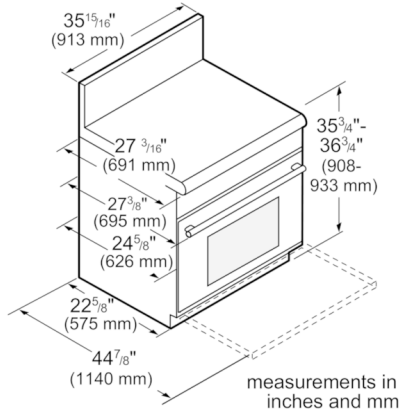
36" units ship standard with island trim included

Notes: Please refer to installation instructions. Installation instructions are available at www.thermador.com. Specifications are correct at the time of printing. Thermador reserves the right to change product specifications and design at any time, without notice.

1 800 735 4328 | WWW.THERMADOR.COM | 1901 Main Street, Suite 600 Irvine, CA 92614

©2019 BSH HOME APPLIANCES CORPORATION, ALL RIGHTS RESERVED LITHO DATE: 02/2019

36-Inch Pro Harmony® Standard Depth Dual Fuel Range



Product Features

Total number of cooktop burners	6
Cooking mode	3rd element convection, Centre-area grill/ broiler, Convection Bake, Convection Broil, Convection Roast, Conventional heat, Roasting function, Selfcleaning pyrolytic
Integrated Cleaning system	Self Clean
Oven Control	Electronic
Knob Material	Full metal
Included accessories	1 x island trim, 1 x Broiler pan
Sealed Burners	Yes
Number of Double grates	2
Bake Element Wattages primary cavity (W)	2000
Convection Element Wattages primary cavity (W)	2750
Number of gas burners	4
Location of 1st heating element	front left
Power of 1st burner (BTU)	18000
Location of 2nd heating element	center left
Location of 3rd heating element	back left
Power of 3rd burner (BTU)	15000
Location of 4th heating element	middle back
Location of 5th heating element	back right
Power of 5th burner (BTU)	15000
Location of 6th heating element	center right
Display	TFT 3,5"
Safety device	automatic reignition, Electronic flame control, Overheating protection, Thermostat

Technical Specification

UPC code	825225925439
Alternative gas type	Liquid gas 27,5 mbar (USA)
Total BTU load	66000
Watts (W)	8200
Current (A)	50
Volts (V)	240/208
Frequency (Hz)	60
Approval certificates	CSA
Required cutout size (HxWxD) (in)	36" width slide-in
Overall appliance dimensions (HxWxD) (in)	35 7/8" x 35 15/16" x 24 3/4"
Variable cooker height (in)	1"
Usable cavity size	3"
Product packaging dimensions (HxWxD) (in)	49 1/4 x 43 1/2 x 40 3/8
Net weight (lbs)	434
Gross weight (lbs)	441

Notes: Please refer to installation instructions. Installation instructions are available at www.thermador.com. Specifications are subject to change at the time of printing. Thermador reserves the right to change product specifications and design at any time, without notice.

1 800 735 4328 | WWW.THERMADOR.COM | 1901 Main Street, Suite 600 Irvine, CA 92614

©2019 BSH HOME APPLIANCES CORPORATION, ALL RIGHTS RESERVED LITHO DATE: 02/2019