



Please do not hesitate to contact us whenever you want, we are always more than happy to help you!

✉ [support@umlohome.com](mailto:support@umlohome.com)

🌐 [www.umlohome.com](http://www.umlohome.com)



MADE IN CHINA



General Tips, FAQ, etc.  
<https://umlohome.com>



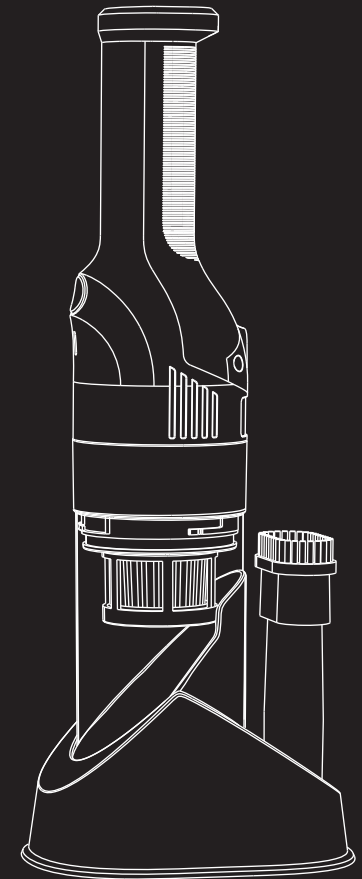
Installation and Usage  
<https://bit.ly/umlo-h6-y2b>



# USER MANUAL

HANDHELD VACUUM  
CLEANER

**MODEL: H6**



The manual features everything you need to get ready for first use, operation, and maintenance.

Please keep the manual properly for further use.

For additional support, contact customer support via

✉ [support@umlohome.com](mailto:support@umlohome.com)

## CONTENTS

Important Safety Instructions .....	01
Package List & Product Overview .....	02
Technical Specifications .....	03
Operation Instructions .....	03
Cleaning and Maintenance .....	05
Troubleshooting .....	07
Warranty .....	07

## IMPORTANT SAFETY INSTRUCTIONS

### READ ALL INSTRUCTIONS BEFORE USING YOUR HAND VAC.

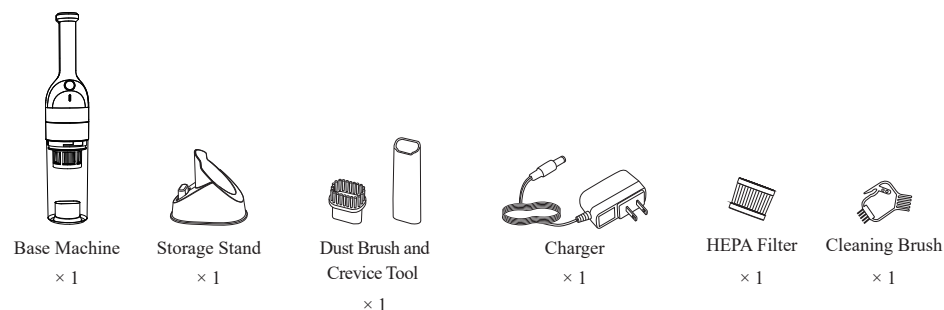
When using an electrical appliance, basic precautions should be observed, including the following:

### WARNING TO REDUCE THE RISK OF FIRE, ELECTRIC SHOCK OR INJURY:

- **Do not** use outdoors or on wet surfaces.
- **Do not** allow to be used as a toy. Close attention is necessary when used by or near children.
- **Do not** use for any purpose other than described in this user guide. Use only manufacturer's recommended attachments.
- **Do not** use with damaged cord or plug. If appliance is not working as it should, has been dropped, damaged, left outdoors, or dropped into water, please contact service center.
- **Do not** put any object into opening.
- **Do not** use with any opening blocked.
- **Do not** unplug by pulling on cord. To unplug, grasp the plug, not the cord.
- **Do not** handle charger, including charger plug and charger terminal, with wet hands.
- **Do not** charge the machine outdoors.
- Use only the charger supplied by the manufacturer to recharge.
- **Do not** incinerate the appliance even if it is severely damaged. The batteries can explode in a fire.
- Keep openings free of dust, lint, hair and anything that may reduce airflow.
- Keep hair, loose clothing, fingers, and all parts of body away from openings and moving parts.
- **Do not** pick up anything that is burning or smoking, such as cigarettes, matches or hot ashes.
- Use extra care when cleaning stairs.
- **Do not** use without Dirt Bin or filters in place.
  
- **Do not** use to pick up flammable or combustible materials (lighter fluid, gasoline, kerosene, etc.) or use in areas where they may be present.
- **Do not** use vacuum cleaner in an enclosed space filled with vapors given off by oil-based paint, paint thinner, some moth-proofing substances, flammable dust, or other explosive or toxic vapors.
- **Do not** pick up hard or sharp objects such as glass, nails, screws, coins, etc.
- Use only on dry, indoor surfaces.
- **Do not** pull or carry charger by the cord, use cord as a handle, close a door on cord, or pull cord around sharp edges or corners. Do not run appliance over cord.
- Prevent unintentional starting. Ensure the power is OFF before picking up or carrying the appliance. Carrying the appliance with your finger on the power button or energizing appliance that have the power on invites accidents.
- Keep the temperature range between 40-104°F when charging battery, storing machine or during use.
- **Do not** use appliance that is damaged or modified. Damaged or modified batteries may exhibit unpredictable behavior resulting in fire, explosion or risk of injury.
- **Do not** expose appliance to fire or excessive temperature. Exposure to fire or temperature above 130°C/265°F may cause explosion.
- Recharge only with the charger specified by the manufacturer. A charger that is suitable for one type of battery pack may create a risk of fire when used with another battery pack.

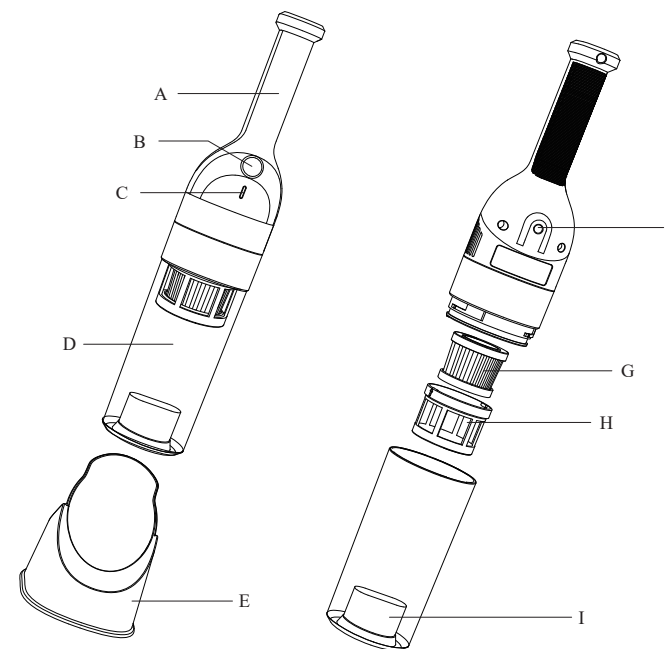
## Package List & Product Overview

### Package List



### Product Overview

- A. Handle
- B. Power Button
- C. Power Light
- D. Dust Bin
- E. Storage Stand
- F. Charging Port
- G. HEPA Filter
- H. Mesh Filter
- I. Mouthpiece

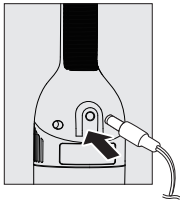


## Technical Specifications

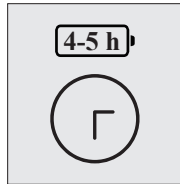
Product Category	Handheld Vacuum	Product Model	H6
Dust Bin Capacity	0.25 L	Product weight	2.86 lb
Rated Voltage	11.1 V	Rated Power	75 W
Power Adapter Input	14 V-0.5 A	Charging Time	4-5 Hours
Working Time	Max Mode: 13-15 Minutes	Standard Mode: 20-25 Minutes	

## Operation Instructions

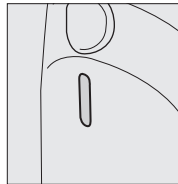
### Charging the Battery



1. Insert Charging Cord into the charging port on the back of the machine.



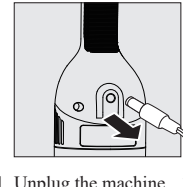
2. Connect the charger to the wall outlet. Charge the machine completely for about 4-5 hours prior to first use.



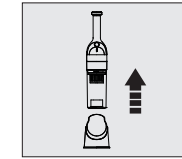
3. When charging: Blinking red light  
Full Charge: Solid green light  
Charge Required: Blinking red light

**Note:** Only can be charged with the ORIGINAL charger.  
For safety and battery protection, do not charge the product for an over long time.

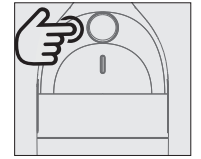
### Using Your Handheld Vacuum



1. Unplug the machine from the charger.



2. Remove from base stand.

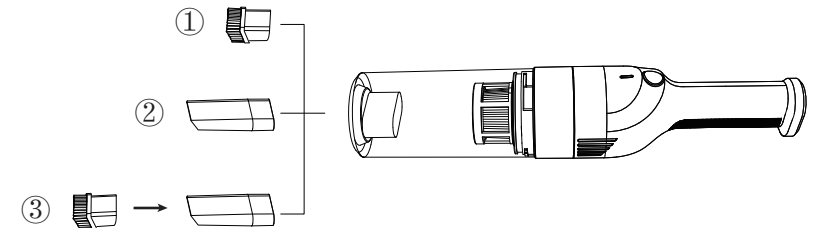


3. Press the Power Button to turn on.

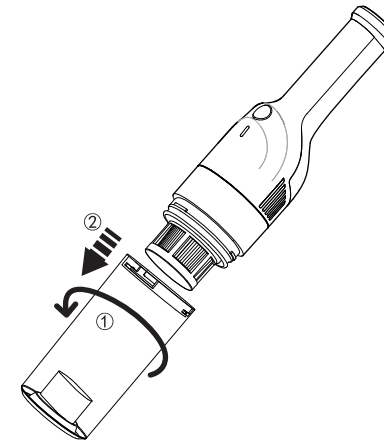
**Note:** Before use, please make sure that all parts of the product have been installed in place and have sufficient power.

It cannot be turned on during charging.

### Combining Accessories

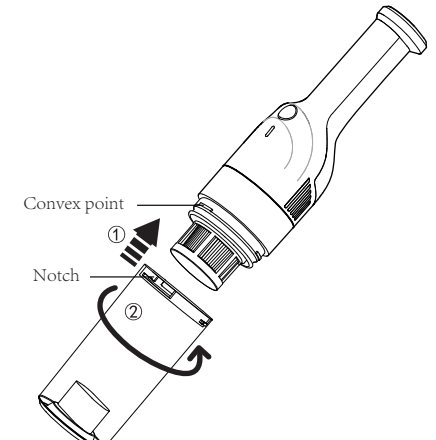


### Disassembly and Assembly of Dust Bin



Disassembly

Rotate the dust bin counterclockwise and remove it.

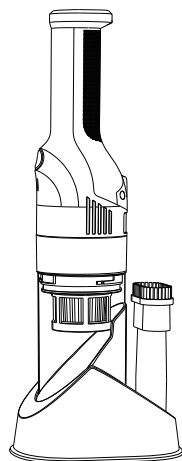


Assembly

Align the convex point on the fuselage with the notch in the dust bin, and rotate the dust bin clockwise.

## Storage

**Note:** When do not use it for a long time, please place it in a dry place, and do not place it in direct sunlight or a humid environment.

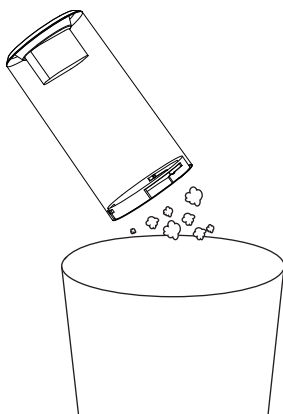


## Cleaning and Maintenance

**Note:** In order to maintain the suction power of the handheld vacuum, please clean the dust bin and filter regularly.

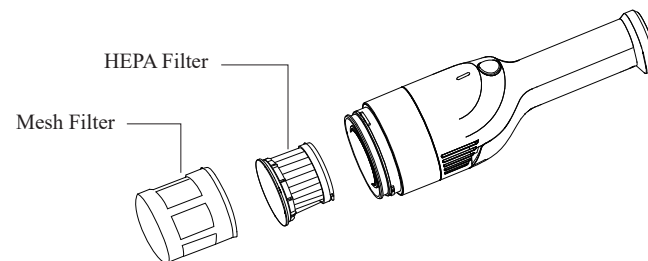
Make sure that the product is turned off when cleaning.

### Empty Dust Bin

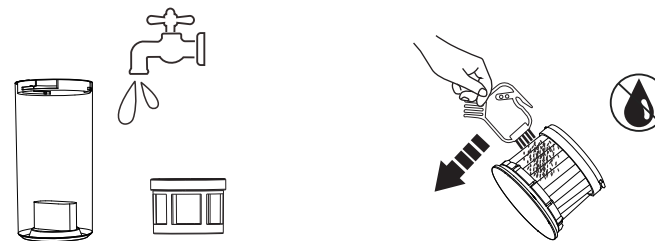


1. Remove the dust bin and dump the dirt.
2. If necessary, the dust bin can be washed with clean water. However, it needs to be completely dried before being installed again.

### Clean Filter Component



1. Remove the dust bin, rotate the mesh filter counterclockwise to remove it, and take the HEPA filter.



2. Tap or wash the mesh filter with water; clean the HEPA filter with the cleaning brush.

#### **Note:**

1. It needs to be completely dried before being installed again.
2. The HEPA filter cannot be washed with water, replace it in time when necessary.
3. Make sure the filter component be in place when assembling.

## Troubleshooting

### Note:

If handheld vacuum is working abnormally, please turn it off.

Problems	Possible Causes	Solutions
It doesn't work	Low battery	Fully charged again
	Doesn't press the power button	Press the power button
	Doesn't unplug the charger	Unplug the charger
Weak suction	Low battery	Fully charged again
	The suction port is blocked	Clean the suction port
	The dust bin is too full	Empty the dust bin
	The filter component is too dirty or clogged	Clean the filter component
Short runtime	The use environment temperature is too high or too low	Use it in a suitable environment
	Low battery	Fully charged again

## Warranty

### NOTE:

**THIS WARRANTY TERM GIVES YOU SPECIFIC LEGAL RIGHTS. AND YOU MAY ALSO HAVE OTHER RIGHTS WHICH VARY FROM STATE TO STATE**

### 12-month Warranty & Lifetime Customer Support

Only apply to eligible purchases made directly from the UMLo authorized distributors. Warranty coverage applies to the original owner and to the original product only and is not transferable.

### How to Initiate a Warranty Claim

If your appliance operates improperly while in use under normal household conditions within the warranty period, please visit our official website [www.umlohome.com](http://www.umlohome.com) to fill out the warranty form to initiate a warranty claim, or contact our customer support via [[support@umlohome.com](mailto:support@umlohome.com)].

All rights are reserved by UMLo.