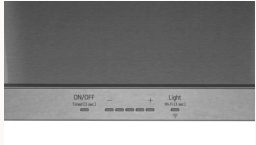


KEY FEATURES

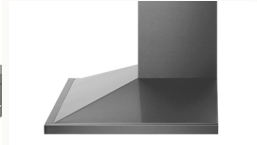
- Powerful 600 CFM Blower
- 5" Low-Profile Body
- Accommodates Ceilings up to 9' 6"
- 5-Speed IR Touch Controls
- Dual Level LED Lighting
- 2 Decorative Mesh Filters
- RoHS Compliant
- LG ThinQ® Technology (Wi-Fi)



Control Panel



Filter



Side View



PRODUCT FEATURES

**SUMMARY**

Type	30" Hood
Color	Stainless Steel

**FEATURES**

Controls	IR Touch
Auto Delay-Off	Yes
Lighting	9W LED Light Strip
Dual-Level Lighting	Yes
Filters	Decorative Mesh (2) Dishwasher-Safe
Wi-Fi Capabilities	Yes (On/Off, Control CFM, Lights, Status)
RoHS Compliant	Yes

**BLOWER**

Speed Levels	5
CFM (min-max)	200-600
Sones (min-max)	1-6

**DUCTING**

Vertical Internal Blower	6" Round
--------------------------	----------

**MATERIALS AND FINISHES**

Available Colors	Stainless Steel
------------------	-----------------

**POWER AND RATINGS**

UL Listed	Yes
Ratings / Requirements / Type	120V, 4 Amps, 60Hz
Circuit Breaker Size	15 Amps

**MOUNTING HEIGHT**

Distance Over Cooking Surface	26" - 34"
-------------------------------	-----------

**DIMENSIONS/ CLEARANCES/ WEIGHT**

Product Dimensions (WxHxD)	29 15/16" x 26 15/16" to 48 1/2" x 22 1/16"
Carton Dimensions (WxHxD)	34 1/4" x 27 3/8" x 26 5/8"
Product Weight (lbs)	38.6
Shipping Weight (lbs)	53

**LIMITED WARRANTY**

Parts and Labor	2 Year
-----------------	--------

**UPC CODE**

HCEU3039X	048231350013
-----------	--------------

## HCEU3039X

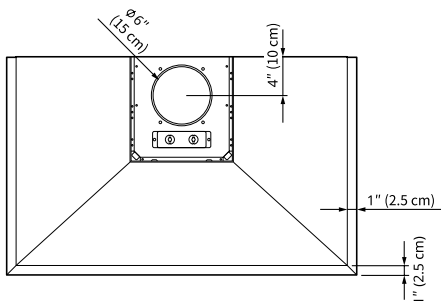
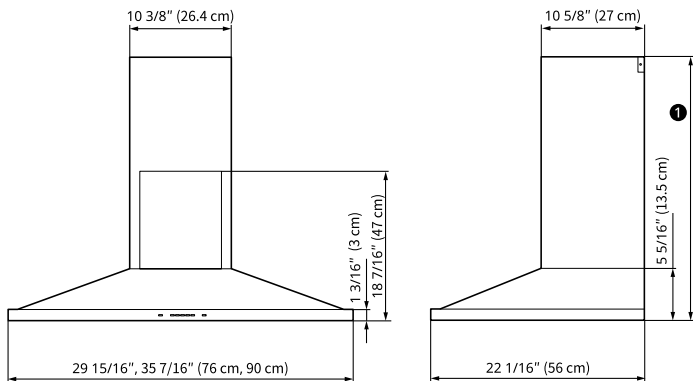
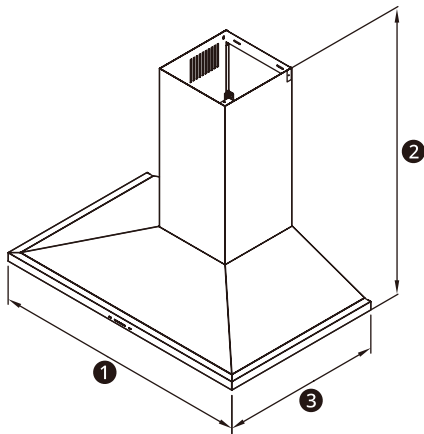
## 30" Wall Mount Chimney Hood

## QUICK INSTALL &amp; CLEARANCES

For full installation directions/clearances please refer to the corresponding User Manual and Installation Guide.

## PRODUCT DIMENSIONS

DIMENSIONS	HCEU3639*	HCEU3039*
①	35 7/16" (90 cm)	29 15/16" (76 cm)
②	26 15/16" (68.5 cm)	26 15/16" (68.5 cm)
③	22 1/16" (56 cm)	22 1/16" (56 cm)



## INSTALLATION

## WARNING

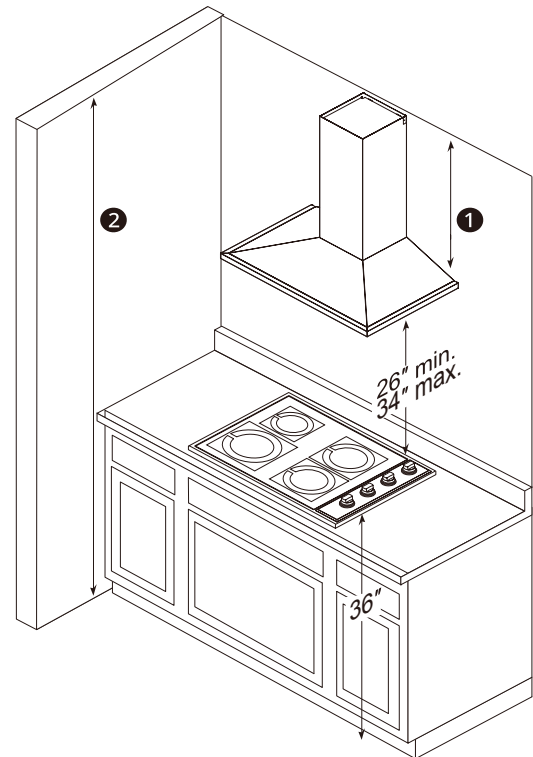
- Observe all governing codes and ordinances during planning and installation. Contact your local building department for further information.
- Use only duct work deemed acceptable by state, municipal and local codes.

## Ducting

A minimum of 6" (15 cm) round duct must be used to maintain maximum airflow efficiency. Always use rigid metal ducts only. Flexible ducts could restrict airflow by up to 50%. Use the Ducting Calculation Sheet to compute the total available duct run when using elbows, transitions and caps. ALWAYS, when possible, reduce the number of transitions and turns. If a long duct run is required, increase the duct size from 6" (15 cm) to 7" or 8" (18 cm or 20 cm).

If turns or transitions are required, install as far away from the hood duct output and as far apart as possible. Minimum mount height between range top and hood bottom should be no less than 26" (66 cm). Maximum mount height should be no higher than 34" (86 cm) above the range top.

It is important to install the hood at the proper mounting height. Mounting the hood too low could result in heat damage and fire hazard. Mounting the hood too high will make it hard to reach and reduce its performance and efficiency. If available, also refer to the range manufacturer's height clearance requirements and recommended hood mounting height above range.



## ① Hood Heights

- Minimum ducted: 26 15/16" (68.5 cm)
- Maximum: 48 1/2" (123 cm)

## ② Ceiling Heights

- Minimum ducted: 89" (7' 5") (226 cm)
- Maximum: 118" (9' 10") (300 cm)