



MINI-G RUGGED HIGH TECH 5V TO 19V CHARGER USER GUIDE

YOU CAN: CHARGE NETBOOKS
SLR CAMERAS TABLETS GOPROS
SMARTPHONES GPS GAMES CONSOLE
SMARTWATCHES AND MORE

powertraveller
without boundaries

INDEX

What's in the box	3
Technical specifications	4
Dimensions, capacity and output currents	5
mini-g diagram	6
LCD screen	7
Diagram descriptions	8
Using the mini-g	
1. Turning on the mini-g	10
2. Recharging the mini-g	10
3. Charging devices via DC	10
4. Charging devices via USB	11
5. Permanent USB on mode	11
6. Permanent DC on mode	11
7. UPS feature	12
8. Daisy chain feature	12
9. Safety lock on feature	12
Frequently asked questions	13
Product disposal instructions	14
Safety features	14



IN THE BOX

- mini-g portable charger
- 19V universal AC mains charger
- DC out cable
- Micro USB cable
- Connector tip pack
- Female 12V socket

ADDITIONAL EXTRAS AVAILABLE

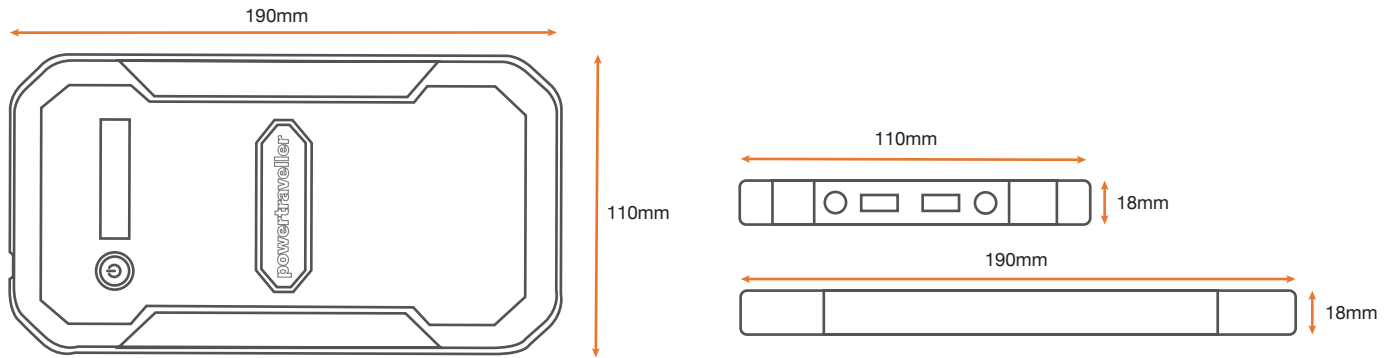
- Gorilla-pad (converts the DC out port to USB 3A)
- solargorilla 10 Watt solar powered charger
- Y cable
- in-car charger

* If you require a tip that is not included, please email support@powertraveller.com for help.

TECHNICAL SPECIFICATIONS

Parameters	Description
Weight	323g
Capacity	12,000mAh (44Wh)
Cells	2 x 6,000mAh
Dimensions	(L*W*H*) 190 x 110 x 18mm
Battery type	Lithium Polymer rechargeable
Input	DC 19V
Output	2 x 5V USB, DC: 12V, 16V, 19V
Dual USB sockets	Combined 3A
Working temperature	-20° to 40°C
Storage temperature	-40 - 60°C

DIMENSIONS

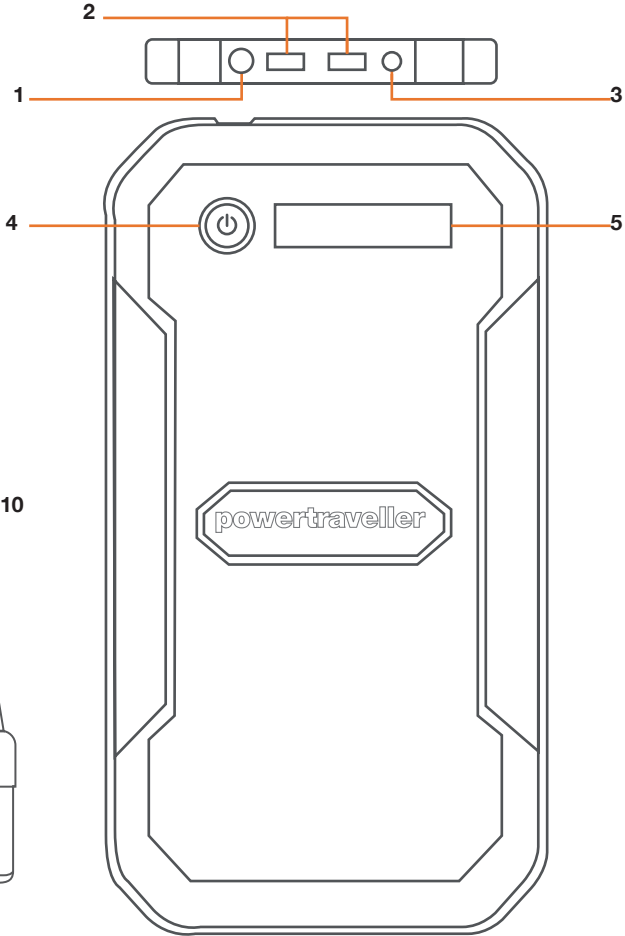
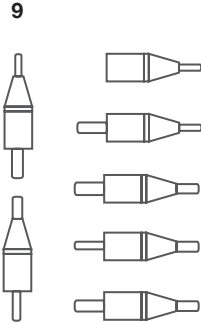
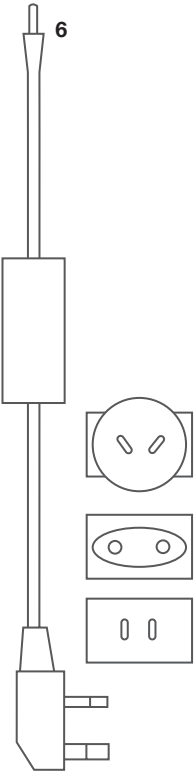


CAPACITY & DC OUTPUT CURRENTS

Voltage	mAh	Amp
5V USB	8,800	3A*
12V	3,600	3A
16V	2,750	2.25A
19V	2,300	1.9A

*split via 2 USB ports

MINI-G DIAGRAM



LCD SCREEN DIAGRAM

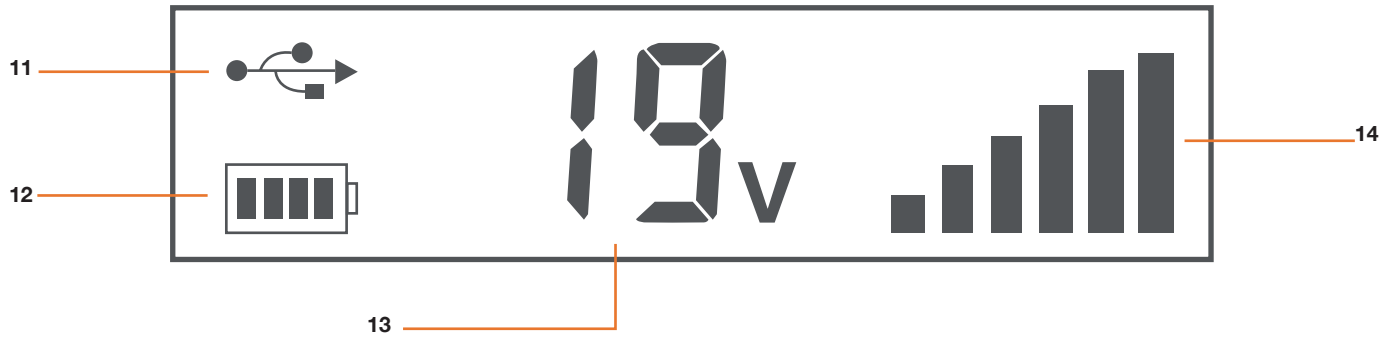


DIAGRAM DESCRIPTIONS

1. DC IN

Input from: 12-19V Max (1.5 - 4A)
DC 5.5 x 2.1mm

2. USB SOCKETS 1&2

Combined 3A

3. DC OUT

DC 4.7 x 1.7mm
12V, 16V, 19V

4. ON/OFF BUTTON

To turn the unit on or off, hold down the button for 3 seconds. The on/off button also enables the user to select the correct output voltage to charge their device.

5. LCD SCREEN

The LCD screen shows the status of USB and DC output voltage settings and the battery level.

6. AC MAINS CHARGER

19V mains charger with 4 interchangeable heads for UK, Europe, US/China and Australia.

7. DC CABLE

4.7 x 1.75 to female 4.7 x 1.75mm

8. MICRO USB CABLE

USB to micro USB cable

9. LAPTOP TIP PACK

Selection of laptop tips.

10. FEMALE 12V SOCKET

In-car charger socket for SLR cameras or any other 12V electronic device.

11. USB SYMBOL

The USB symbol is permanently shown allowing simultaneous charging of USB and DC devices.

12. BATTERY ICON

When the battery icon flashes, this indicates that there is less than 10% power left in the mini-g. **The battery icon does not represent the amount of power left.**

13. VOLTAGE SETTING

The different settings can be seen from this section of the screen. By tapping the on/off button (4), you can scroll through the voltage settings.

14. LEVEL OF CHARGE

The level of charge remaining in your mini-g is shown by the vertical bars. A fully charged mini-g will be denoted by six solid vertical bars. As the six bars decrease, available power decreases.

USING THE MINI-G

1. Turning on the mini-g

- To turn on the mini-g, hold down the on/off button (4) for 3 seconds. Repeat this to turn the unit off.

2. Recharging the mini-g

- You can recharge the mini-g via the universal AC mains charger supplied (6) with the appropriate plug head into an electrical wall socket. Connect the DC end of the cable into the DC in port (1) on the mini-g.
- The LCD screen (5) will illuminate and the vertical bars will increase as it is being charged.
- When the sixth vertical bar is no longer flashing, this means the mini-g is fully charged.
- Always disconnect the AC mains charger (6) when the mini-g is fully charged or not in use.

NOTE: Please only use the AC mains charger provided to charge the mini-g or official Powertraveller in-car charger (available separately) Using a 3rd party AC mains charger may invalidate your warranty.

3. Charging devices via DC out port

- When connecting a device to the mini-g, for example a netbook, please check the netbook's input voltage. This can be found on the netbook's AC/mains adaptor or the user guide supplied with your netbook.
- Connect the DC cable (7) to the DC out port (3). Select the correct tip required from the tip pack (9).
- Select the required output voltage on the LCD screen (5). This is done by tapping the on/off button (4) until the desired voltage is displayed on the LCD screen (5).
- When you finish charging/powering, turn off the mini-g by holding down the on/off button (4) for 3 seconds and disconnect the cable. The mini-g will turn itself off when the device connected is fully charged.

4. Charging devices from mini-g via USB out port 2A

- Turn the mini-g on by holding down the on/off button (4) for 3 seconds.
- Select the micro USB to USB cable (8) or your devices' own USB sync/charging cable.
- The mini-g will stop charging once the device is fully charged.

5. Permanent USB on mode ('88' setting)

- This feature is used if the USB device draws only a small amount of power.
- Disconnect all cables from the USB and DC out sockets.
- Turn the mini-g on by holding down the on/off button (4) for 3 seconds.
- Tap on/off button (4) until the '88' function is shown on the LCD screen (5).
- The backlight will remain on while this feature is enabled.
- You may now connect your device to either of the USB ports (2).
- While this feature is in use, the DC out will output at 12V.
- You can simply press the on/off button (4) again to disable this feature.

6. Permanent DC on mode

- This feature is used if the DC device draws only a small amount of power.
- Turn the mini-g on by holding down the on/off button (4) for 3 seconds.
- Select the correct DC voltage for your device by tapping the on/off button (4) until desired voltage is shown.
- Press the on/off button (4) twice in quick succession.
- The LCD screen will illuminate and on until the mini-g is manually turned off.

7. UPS feature

- Turn on the mini-g by holding down the on/off button (4) for 3 seconds.
- Tap the on/off button (4) until the 10V setting is shown on the LCD screen (5).
- Connect the universal AC mains charger (6) to the mini-g and connect it to the electrical socket.
- If the power supply is interrupted, the mini-g will stay permanently on when on the 19V setting.

8. Daisy chain feature

- When using the 19V AC mains charger (6) to charge the mini-g, the DC out port (3) will be set at 19V. This will enable you to charge your netbook for example and mini-g at the same time.
- While charging with the 19V AC mains charger (6), you are also able to charge USB devices simultaneously.

9. Safety lock on feature

- When a device is connected and drawing enough power to be detected by the mini-g, the LCD screen (5) will flash 3 times. The voltage setting will be locked on to avoid accidental voltage change when charging a device. To change the voltage when the safety lock on feature is enabled, hold down the on/off button (4) for 3 seconds and scroll through.

FREQUENTLY ASKED QUESTIONS

- **Can I use the mini-g straight away without charging?**

Yes, the mini-g comes 30% pre-charged and is ready to use straight out the box. However, we do recommend full charging the mini-g within 7 days of receiving it, and at least once every 4 months thereafter.

- **What are connector tips?**

Connector tips are attachments to make the mini-g compatible with various devices.

- **What if I can't find the right tip?**

Please refer to www.powertraveller.com - tips/adaptors. These are updated on a regular basis.

- **Why does the mini-g auto shut down?**

This can be for various reasons:

1. Device is fully charged.
2. The mini-g has run out of power and needs recharging.
3. A safety feature has been activated.
4. Your device is not drawing enough power from the mini-g.

- **My mini-g shuts down when charging my USB device.**

This may happen when your device is only drawing a very small amount of power and is not being detected by the mini-g. Select the '88' setting on the LCD screen to lock the USB on. Refer to page 12.

- **Can I charge the mini-g via solar?**

Yes, it is compatible with the 20V solargorilla (available separately).

- **If I accidentally left my mini-g turned on with no device attached, how long would it stay on for?**

It will automatically turn off after 1 minute.

- **My mini-g will not turn on. It shuts down when it still has power left in it.**

A safety feature may have been triggered. Connect the mini-g to the AC electrical wall socket with the included AC mains charger (6) for at least 10 seconds. This will reset the mini-g.

- **I've attached a device and the LCD screen is flashing and the mini-g shuts down.**

This happens when the device attached is drawing too much power from the mini-g. Try using a lower power consumption setting on your device or charging with the device turned off.

- **Can I use 2 or more mini-g's to speed up the powering time of my device?**

Yes, from DC out (3) you can power from multiple mini-g chargers with our Y cable (available separately).

- **The DC out port turns off when my device is not fully charged.**

This may happen when your device is only drawing a very small amount of power and is not being seen by mini-g. Select the correct DC voltage for your device. Press the on/off button (4) twice in quick succession. The LCD screen will illuminate and stay on until the mini-g is manually turned off. Refer to Permanent DC on mode on page 12.

PRODUCT DISPOSAL CERTIFICATIONS



- **There's a strange symbol on my screen.**



When connected to solar, you will see this symbol on the LCD screen (5). While in this mode the DC out will not function. This is so the mini-g collects as much power as possible from the solar panel.

The symbol shown here and on the product means that the product is classed as Electrical or Electronic Equipment and should not be disposed with other household or commercial waste at the end of its working life.

- **Can I simultaneously charge from the DC out?**

Yes, you can simultaneously charge and use a device at the same time as long as the charging voltage in is the same as the charging voltage out. The AC mains charger is 19V therefore the DC out will be at 19V.

The Waste of Electrical and Electronic Equipment (WEEE) Directive (2002/96/EC) has been put in place to recycle products using best available recovery and recycling techniques to minimise the impact on the environment, treat any hazardous substances and avoid the increasing landfill.

- **Can I charge my 5V device and DC device at the same time?**

Yes, you can simultaneously charge 5V devices when charging DC devices as well.

Product disposal instructions for residential users

When you have no further use for it, please remove any batteries and dispose of them and the product as per your local authority's recycling processes. For more information, please contact your local authority or the retailer where the product was purchased.

- **How long does it take to charge the mini-g?**

Approximately 3-5 hours

Product disposal instructions for business users

Business users should contact their suppliers and check the terms and conditions of the purchase contract and ensure that this product is not mixed with other commercial waste for disposal.

- **Can I charge the the mini-g from a USB port?**

No, the mini-g cannot be charged via USB.

SAFETY FEATURES

- **Does the mini-g automatically recognise the voltage my device requires?**

No, you have to select the correct voltage before connecting and turning your device on.

- Voltage limitation protection
- Current limitation protection
- Short circuit limitation protection
- Anti-discharge limitation protection
- Over-charging limitation protection
- Overheating protection
- Power surge protection
- Drop tested: UN 38.3

- **Which voltage should I use to charge my smartphone?**

Either USB port can charge your smartphone.

MINI-G

AC TRANSFORMER



MINI-G

POWERTRAVELLER INTERNATIONAL LIMITED

4 Delta Park, Wilsom Road,

Alton, Hampshire

GU34 2RQ, UK

t: +44 (0) 1420 542980

info@powertraveller.com

www.powertraveller.com

powertraveller
without boundaries