

National[®]

NA-870V



Cordless Vacuum Cleaner

Please read this manual carefully before using it.

Contents

1. FCC and Important Safety Instructions	2-4
2. Structure Introduction	5
3. Parts in Box	6
4. Technical Specifications	6
5. Product Usage	7-11
6. Maintenance	12-14
7. Troubleshooting	15

1. FCC and Important Safety Instructions

FCC Caution.

This device complies with part 15 of the FCC Rules. Operation is subject to the following two conditions: (1) This device may not cause harmful interference, and (2) this device must accept any interference received, including interference that may cause undesired operation.

Any Changes or modifications not expressly approved by the party responsible for compliance could void the user's authority to operate the equipment.

Note: This equipment has been tested and found to comply with the limits for a Class B digital device, pursuant to part 15 of the FCC Rules. These limits are designed to provide reasonable protection against harmful interference in a residential installation. This equipment generates uses and can radiate radio frequency energy and, if not installed and used in accordance with the instructions, may cause harmful interference to radio communications. However, there is no guarantee that interference will not occur in a particular installation. If this equipment does cause harmful interference to radio or television reception, which can be determined by turning the equipment off and on, the user is encouraged to try to correct the interference by one or more of the following measures:

- Reorient or relocate the receiving antenna.
- Increase the separation between the equipment and receiver.
- Connect the equipment into an outlet on a circuit different from that to which the receiver is connected.
- Consult the dealer or an experienced radio/TV technician for help.

*RF warning for Portable device:

The device has been evaluated to meet general RF exposure requirement. The device can be used in portable exposure condition without restriction.

This device complies with part 15 of the FCC Rules.

Operation is subject to the following two conditions:

- (1) this device may not cause harmful interference, and
- (2) this device must accept any interference received, including interference that may cause undesired operation.

1. FCC and Important Safety Instructions

For Manual

- Read this manual carefully before use, and retain it for future reference.
- The company will not bear the relevant legal responsibility for the losses caused by the operation not in accordance with the instructions of this product.

Usage Restrictions

- Do not use this vacuum in outdoor, commercial, or industrial environments. It is intended for home and in-car use only.
- Do not store the vacuum anywhere in the car to avoid high or low temperatures affecting its battery life.
- Do not use the vacuum in environments with high humidity, or temperatures above 40°C or below 3°C.
- Children should be supervised to ensure that they do not play with the appliance.
- This appliance is not intended for use by persons (including children) with reduced physical, sensory or mental capabilities, or lack of experience and knowledge, unless they have been given supervision or instruction concerning use of the appliance by a person responsible for their safety.
- This appliance can be used by children aged from 8 years and above and persons with reduced physical, sensory or mental capabilities or lack of experience and knowledge if they have been given supervision or instruction concerning use of the appliance in a safe way and understand the hazards involved. Children shall not play with the appliance. Cleaning and user maintenance shall not be made by children without supervision.
- Keep hair, loose clothing, fingers, and all parts of body away from openings and moving parts.
- While using an electric brush head, keep limbs and pets away from the rotating brush heads to avoid injury.
- Do not touch the power supply, nor operate the product with wet hands to prevent injuries.
- Do not vacuum any liquids (such as water, cola).
- Do not vacuum any burning or smoking substances (such as non-extinguished cigarette butts).
- Do not vacuum any hard or pointy objects (such as building materials, glass, and nails).
- Please use this product in accordance with the instructions in the User Manual. Users are responsible for any loss or damage that may arise from improper use of this product.
- This product is only to be used in areas below 3,000 meters above sea level.

1. FCC and Important Safety Instructions

Battery & Charging

WARNING

- This product contains batteries that are only replaceable by skilled persons.
- This product can only be charged using a designated power supply.
- Do not use any third-party batteries, power adapters.
- Do not disassemble, repair or modify the battery or power adaptor.
- Do not charge the vacuum near heat sources or in humid areas (such as radiators or bathrooms).
- Do not wipe the adaptor or battery with a wet cloth, nor touch them with wet hands.
- If the power cord is damaged or broken, immediately stop using it and contact after-sales service.
- If the vacuum is not going to be used for an extended period of time, please fully charge it, unplug its power supply, and place it in a cool and dry place. Make sure that you recharge it once every three months to avoid the battery to over-discharge. The lithium ion battery inside this product contains substances harmful to the environment.

ATTENTION

- The battery must be removed from the appliance before it is scrapped.
- The appliance must be disconnected from the supply mains when removing the battery.
- The battery is to be disposed of safely. Please do not discard waste batteries. Leave them to a professional organization.

The following steps are only applicable for scrapping:

Removing the Battery:

Press buttons on the battery pack, take out the battery pack.

This version is for private use only and should not be distributed.

Transportation

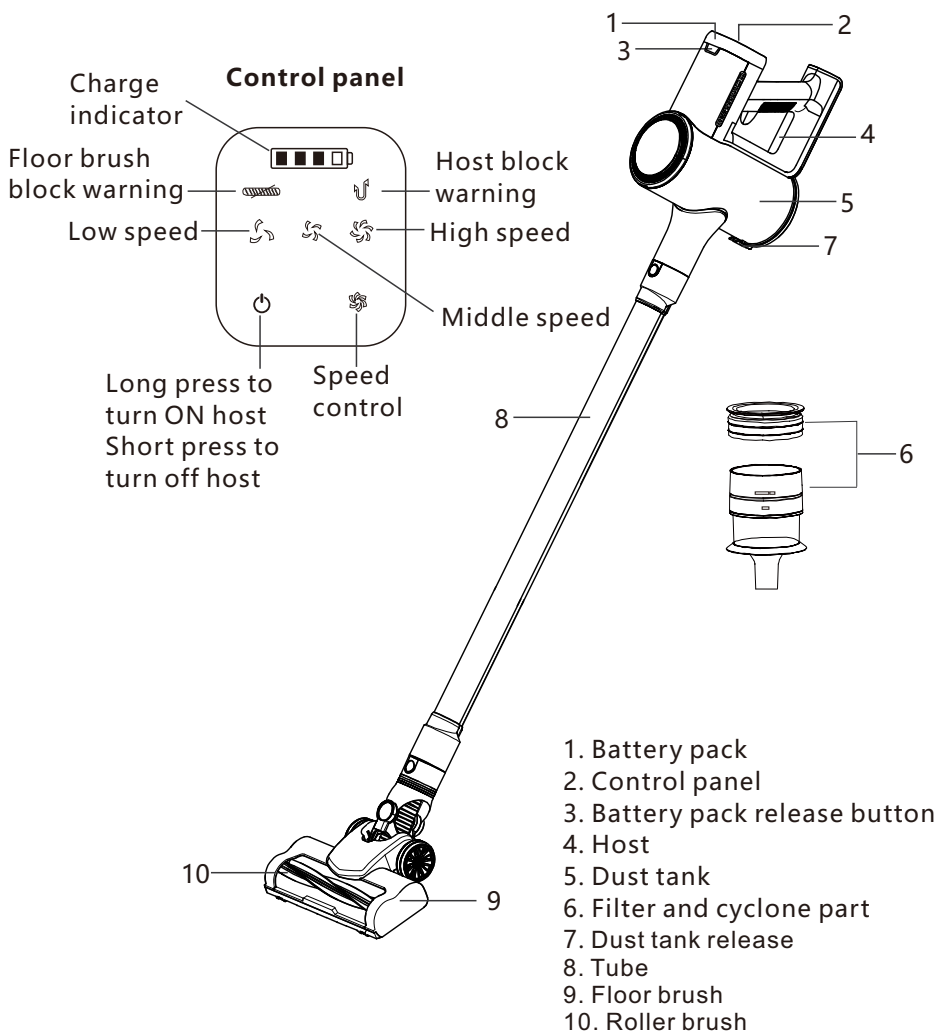
- It is recommended to transport the vacuum in its original packaging.

Note

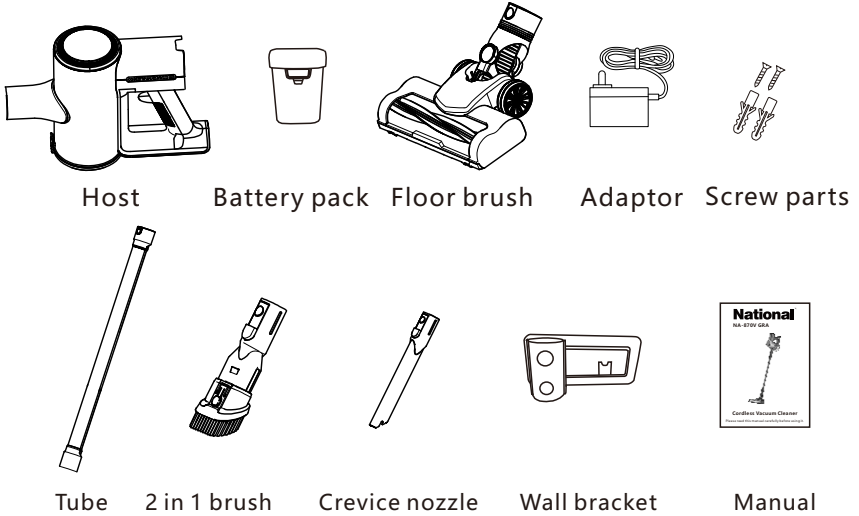
- HEPA filter is not washable.

It is recommended to clean it after each use and gently pat off the dust to ensure good vacuuming effect.

2. Structure Introduction



3. Parts in box



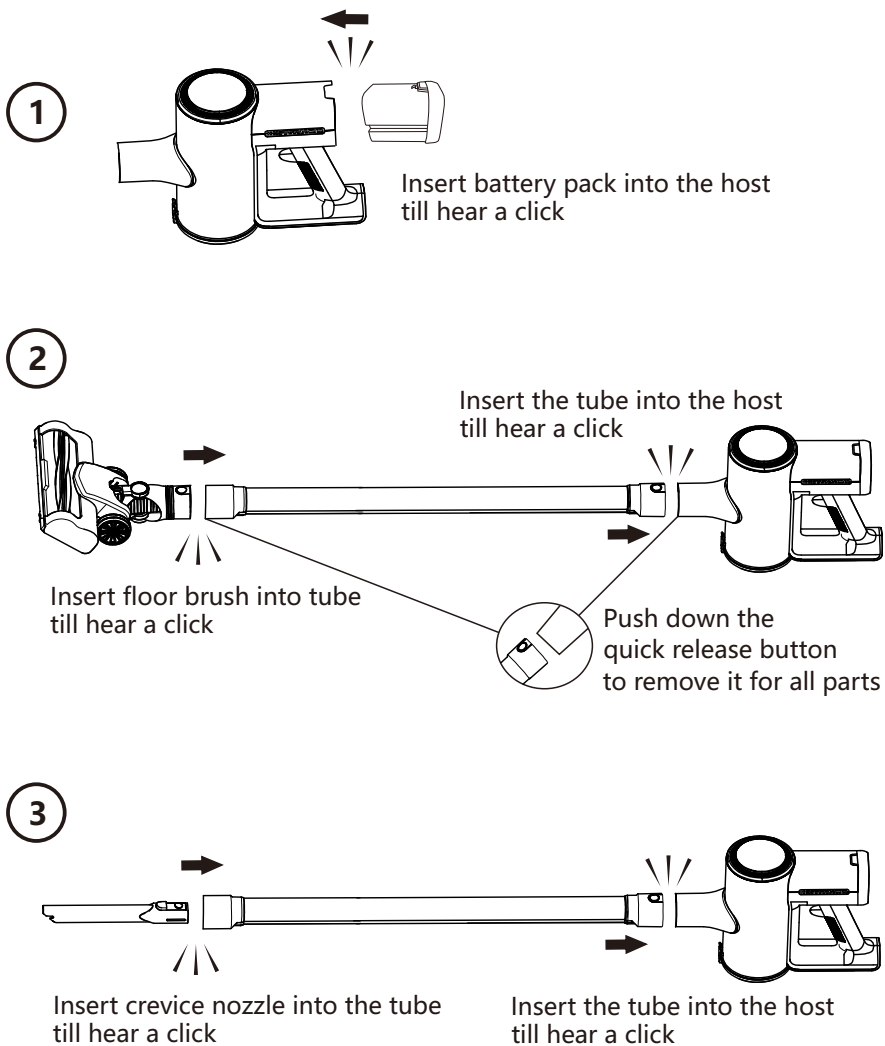
4. Technical Specifications

Model	NA-870V
Voltage	22.2V \equiv
Power	250W
Adaptor	CZH013270050USWP
Adaptor Input	100-240V ~ 50/60Hz 0.4A Max
Adaptor Output	27V \equiv 500mA
Battery Pack	Li-ion 22.2V 2000mAh
Working Time	Low speed: 35mins Middle speed: 18mins High speed: 10mins
Charging Time	4-5 hours
Product Size	9.17 x 8.46 x 40.94 in

*Note: Technical and design specifications may be changed for continuous product improvement

5. Product Usage

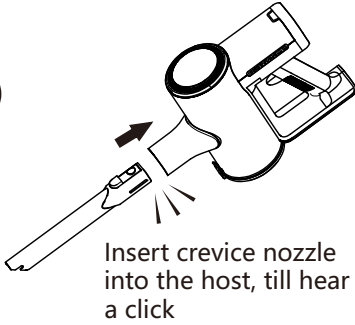
5.1 Installation



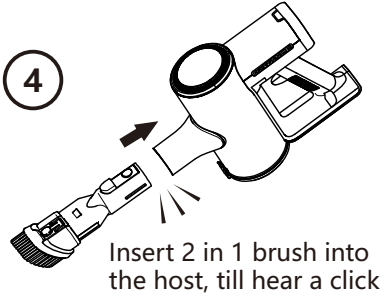
5. Product Usage

5.1 Installation

3

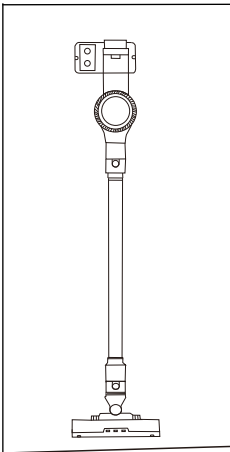


4



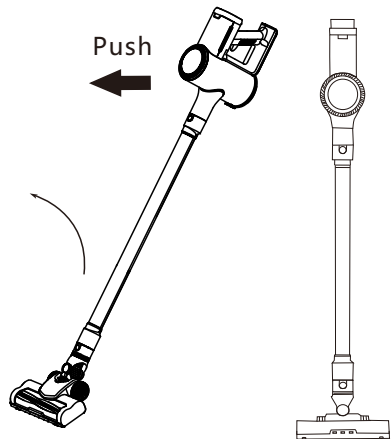
5

Fix the wall bracket to the wall with screw parts in a suitable height. After the machine is used, insert machine into the designated position of the bracket.



6

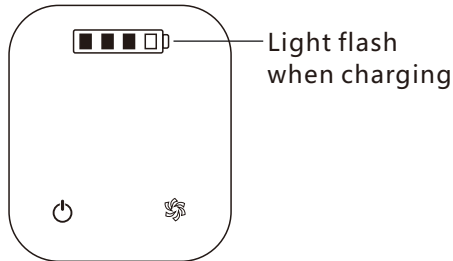
Self-standing function
Step on the machine's floor brush and push the host as show in below. The floor brush will get stuck and the machine can stand directly without relying on anything.



5.2 Charging

LED Battery Status Indicator

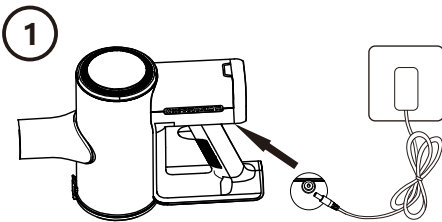
1. The first light keeps flashing until it stays on: Battery level < 25%
The second light keeps flashing until it stays on: Battery level < 45%
The third light keeps flashing until it stays on: Battery level < 65%
The fourth light keeps flashing until it stays on: Battery is fully charged.
2. Start Cleaning: As the power is used, the indicator lights will go out one by one until the power is exhausted.
3. Floor brush motor protection: When the floor brush motor is locked, the indicator light will alarm, and the host will stop running.



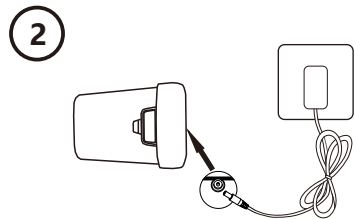
Notes:

1. When the vacuum is used for first time, it is recommended to fully charge it before use.
2. When in charging, please do not turn on the machine to use.
3. After continuous use in high speed mode, the battery will be hot and thus the battery charging time will be increased. It is recommended to allow the vacuum to cool down for 30mins before charging it.

Please read the Safety Instructions in this user manual before proceeding.



Charge the main unit by adaptor



Remove out the battery pack, then charge by adaptor

5.3 Vacuum Usage

Carefully

1. Some carpets may fluff when vacuumed by a handheld vacuum cleaner or upholstery brush. If this happens, it is recommended to use the brush or crevice nozzle when vacuuming.
2. Before vacuuming highly polished floors (wooden or polished tiles), check the floor brush (especially the brush head) for foreign objects to avoid scratching the floor.
3. Before using the vacuum cleaner, make sure the dust compartment is installed.
4. Do not block the exhaust port when vacuuming.
5. For fine dust such as flour, vacuum cleaners can only be used for small amounts.
6. Do not use the vacuum to vacuum sharp objects, small toys, pins, paper clips, etc., to avoid damage to the vacuum cleaner and the floor.
7. When using this vacuum to clean dangerous areas such as stairs and windows, make sure to pay attention to personal safety.
8. Do not place the vacuum on places including tables, chairs nor lean it against items to avoid damage caused by dropping or slipping.
9. The movement of the vacuum brush may cause an uneven gloss on waxed floors. Wipe the floor with a damp cloth and polish it with wax.

Automatic Turn-off Feature

1. If any of the rotating parts get stuck, the product may automatically turn off, but can continued to be used after all foreign objects are removed.
2. When the motor enters overheating protection mode, it will auto-matically turn off and stop operating. Please wait for the temperature of the electric brush head to cool down before using it again.

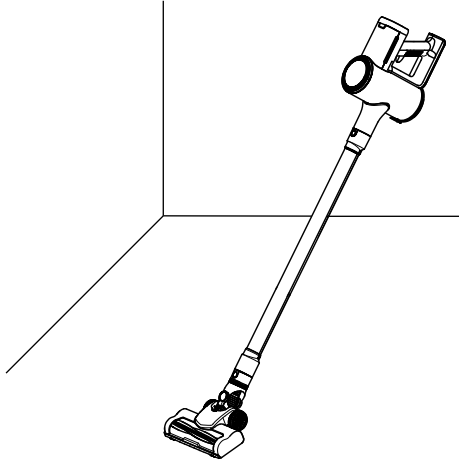
Cleaning String-like Materials from the Roller Brush

1. When using an electric brush head, it may vacuum large foreign objects or get wrapped in too much hair, causing the roller to stop rotating. Immediately clean the roller if this happens.
2. Before removing foreign objects from the roller, make sure the brush head is detached from the vacuum to prevent accidentally turning on the vacuum to avoid personal injuries.
3. Be careful of sharp objects when clearing materials from the roller.
4. If objects wrapped around the roller cannot be removed smoothly, please refer to the "Cleaning the Roller" section to remove the roller first and then clean it.

5.3 Vacuum Usage

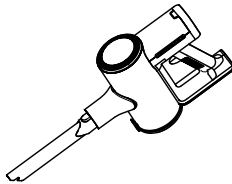
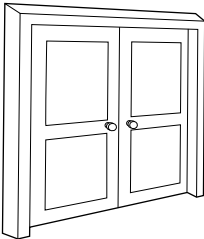
Brush Head Usage

1. Floor Attachment: Suitable for vacuuming different types of floors.

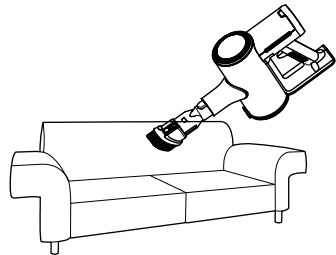


2. Crevice Nozzle and 2 in 1 Brush

Crevice Nozzle: Suitable for vacuuming narrow crevices such as around doors, windows, dead corners of stairs.



2 in 1 Brush: Suitable for vacuum sofas, seats, etc.



6. Maintenance

Product Maintenance

1. Always use genuine parts, otherwise warranty may be voided.
2. If the filter or nozzle is clogged, the fan will stop working shortly after turning on the vacuum. In that case please immediately clean the filter, nozzle, etc.
3. When the vacuum will not be used for an extended period of time, store it in a cool and dry place. Do not expose it to direct sunlight or store it in a humid environment.
4. If the vacuum is not going to be used for an extended period of time, please fully charge the battery, unplug its power, must remove out the battery from machine, adaptor place it in a cool and dry place.
Make sure that you recharge battery once every 3 months to avoid the battery to over-discharge.

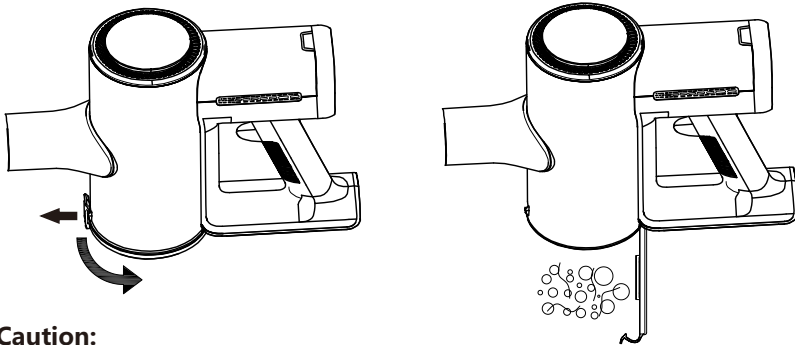
Cleaning the Vacuum

Wipe the vacuum with a soft dry cloth.

Cleaning the Dust Compartment

* It is recommended to clean the dust compartment at least twice a month.

1. Before cleaning the dust compartment, disconnect the adaptor and keep the vacuum turned off. Once there is too much dust in the dust tank, cleaning effect will be affected if continues to be used, so please empty it in time before use.
2. To empty the dust compartment, push the switch on the dust compartment in the direction of the arrow to open the bottom cover and empty it into a trash can.



Caution:

Do not use detergents, polishes or air fresheners to rinse the dust compartments. HEPA filter is not washable. It is recommended to clean it after each use and gently pat off the dust to ensure good vacuuming effect.

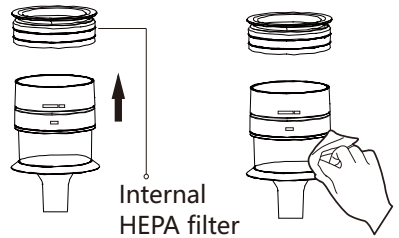
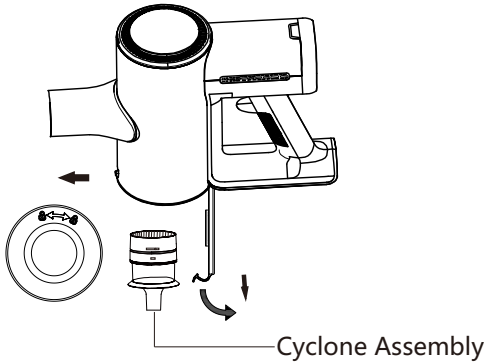
6. Maintenance

Note:

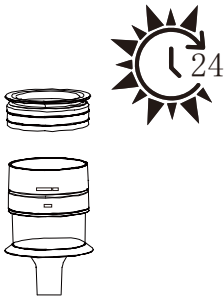
- 1. Before cleaning, make sure that the product has been disconnected from the supply and be careful not to press the switch to turn on the vacuum.
- 2. Follow the instructions to regularly inspect and clean the internal filter and cyclone assembly to ensure optimal performance.
- 3. When used to clean fine dust or primarily used in high speed mode, the filter may need to be clean more frequently.

To clean the internal filter and cyclone assembly

- 1. Pull the switch, open the cover. Rotate the cyclone assembly as shown in below figure and remove it.
- 2. Remove the internal HEPA filter, and clean them with dry cloth.



- 3. Cyclone assembly, HEPA is not washable. Keep it in a ventilated or cool place if it was wet, and wait till it totally dry.



Caution:

- 1. Do not rinse the filter in a dishwasher or washing machine nor dry it in a tumble dryer, oven, microwave or places near an open fire.
- 2. After drying, reinstall the filter and cyclone assembly.

6. Maintenance

Cleaning the Roller

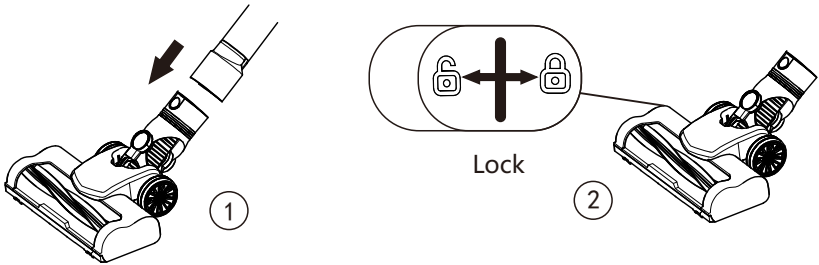
Please follow the instructions below to check and clean the roller regularly to maintain its performance. Before removing the roller, make sure that the brush head has been detached from the vacuum to avoid personal injuries caused by accidentally turning on the vacuum.

Caution:

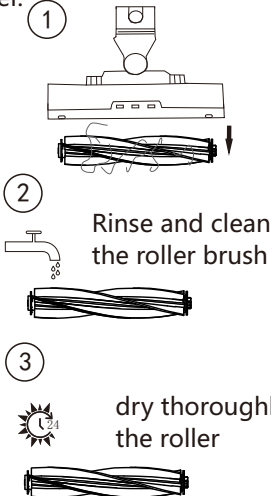
The floor attachment contain electrical components, and the floor attachment roller contains bearings, so do not clean these parts with water

Cleaning the Floor Attachment

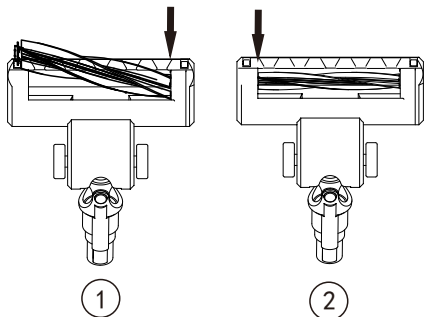
1. Place the floor attachment in the direction as shown in the figure (facing your direction). Push the lock to the unlock position as show below, the roller brush will pop up. Please do not unlock the brush at a position that is too high to prevent it from falling and getting damaged.



2. Take out the roller and remove any hair wrapped around the roller.



3. First align the brush with the slot on the right side of the floor brush, then press the right side of the brush until you hear a click, indicating that the installation is complete.



7. Troubleshooting

When the vacuum cleaner does not work properly, please refer to the table below to handle any errors.

Error Condition	Solution
Electric brush head does not rotate	<ol style="list-style-type: none">1. If the brush head gets stuck, remove any foreign objects and continue to use it normally.2. Please wait until the brush head temperature returns to normal before using it, if its motor entered overheating protection mode.3. Please wipe the contact points of the electric brush head with a soft dry cloth if they are dirty and try again.
Fan does not rotate	<ol style="list-style-type: none">1. Low battery, please charge before use.2. It entered overheating protection mode due to being used continuously for too long. Allow the vacuum to cool down, and restart it to continue using it.
Reduced suction	<ol style="list-style-type: none">1. If the dust compartment is full or the filter is clogged, empty the compartment and clean them before using the vacuum again.2. Brush head is stuck, please remove any foreign objects from the brush head.
Fan stopped several times during use	<ol style="list-style-type: none">1. The filter or the nozzle is clogged, please clean them regularly. After cleaning you can use the vacuum normally again.
LED light indicating battery status does not light up while charging	<ol style="list-style-type: none">1. Check if the power supply is properly plugged in.2. The battery is fully charged and went into sleep mode.
Charging too slowly	<ol style="list-style-type: none">1. The battery temperature is too high or too low, please wait for the battery temperature to return to normal and then recharge the battery.

Disposal

- The battery contains materials that are harmful to the environment and must be removed from the appliance before it is discarded.
- When removing the battery, the appliance must be powered off.
- Batteries, chargers, accessories and packaging should be sorted for environmental friendly recycling. Do not put them into fire, water or soil. Do not dispose of batteries and chargers into household waste!
- If battery leakage contacts skin or clothing, immediately flush with water to avoid irritation and seek medical help.
- The crossed-out wheelie bin symbol means that this product shall not be disposed of with normal household waste. Electronic and Electrical Equipment not included in the selective sorting process are potentially dangerous for the environment and human health due to the presence of hazardous substances. Please dispose of it responsibly at an approved waste or recycling facility.



WARRANTY

Supersonic Inc. ("Supersonic") warrants this product to the original purchaser ONLY, to be free from defects in materials and workmanship under normal use, for ninety (90) DAYS from the date of original purchase. Proof of purchase (receipt) required. Please visit <https://www.supersonicinc.com/pages/warranty> for additional information.

