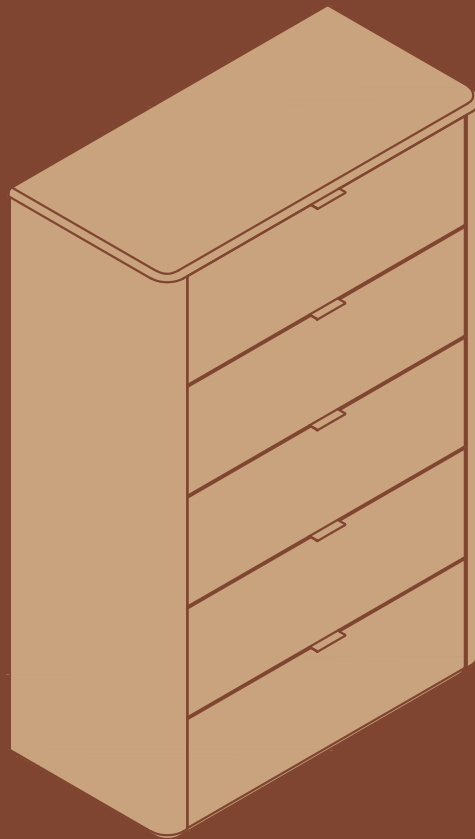


ASSEMBLY INSTRUCTION



Dresser

CATALOGUE

Precautions	01
Parts List	02
Hardware List	03
Tool List	04
Assembling Process	05-22

INTRODUCTION

Thank you for purchasing our products. Please read the instructions carefully before installation and keep it in a safe place for future reference. If you need any assistance or support, please feel free to contact our customer support team.

PRECAUTIONS

This package contains numerous components and hardware pieces. Please identify and verify all parts against the parts list before you begin assembly.

WARNING: Choking Hazard. This product contains small items. Keep all parts and hardware out of the reach of children during assembly.

To prevent scratches, assemble the product on a soft, non-abrasive surface such as a carpet, blanket, or the flattened cardboard packaging.

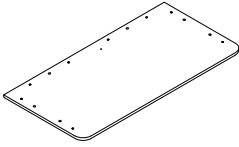
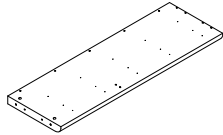
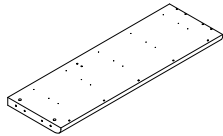
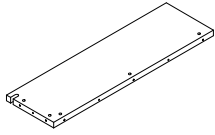
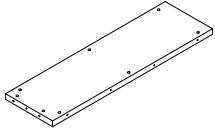
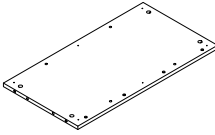
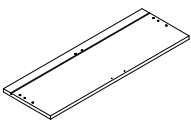
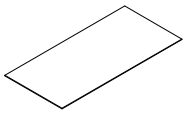
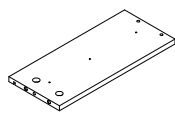
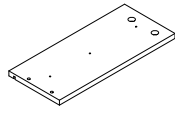
Some components are heavy. For safety, we recommend this product be assembled by two adults.

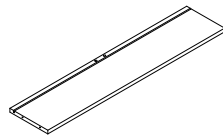
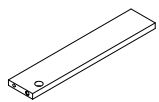
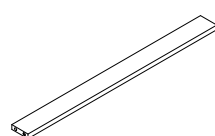
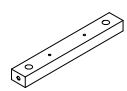
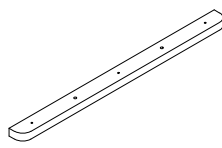
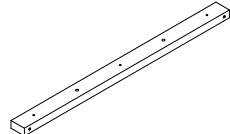
The unit may be unstable until assembly is fully complete. Do not move the product until all steps are finished.

If you encounter any issues or have questions, please contact our customer service team for assistance.


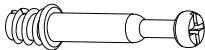



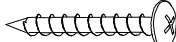




- * **Please be sure to follow the installation steps in the manual to avoid unnecessary losses caused by improper installation.**
- * **If you need further assistance, please contact the customer service online.**

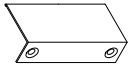

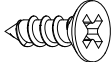
Parts List

ID	Parts	QTY
1		1
2		1
3		1
4		1
5		1
6		1
7		5
8		5
9		5
10		5

ID	Parts	QTY
11		5
12		5
13		1
14		2
15		1
16		1

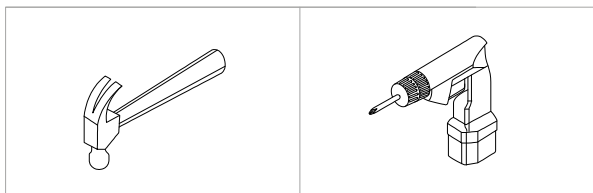
Hardware List

ID	Parts	QTY
A		52+2
B		52+2
C	 Ø6*30mm	20+2
D	 Ø8*30mm	24+2
E	 Ø8*Ø4*30mm	25+2
F	 Ø9*Ø4*30mm	14+1
G		1
H		1
I	 Ø9*Ø4*13mm	1
J	 Ø9*Ø4*35mm	1

ID	Parts	QTY
K		5
L		5
M	 Ø7*Ø3.5*12mm	70+2

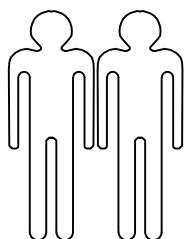
Tool List

Required Tools (Not Included)

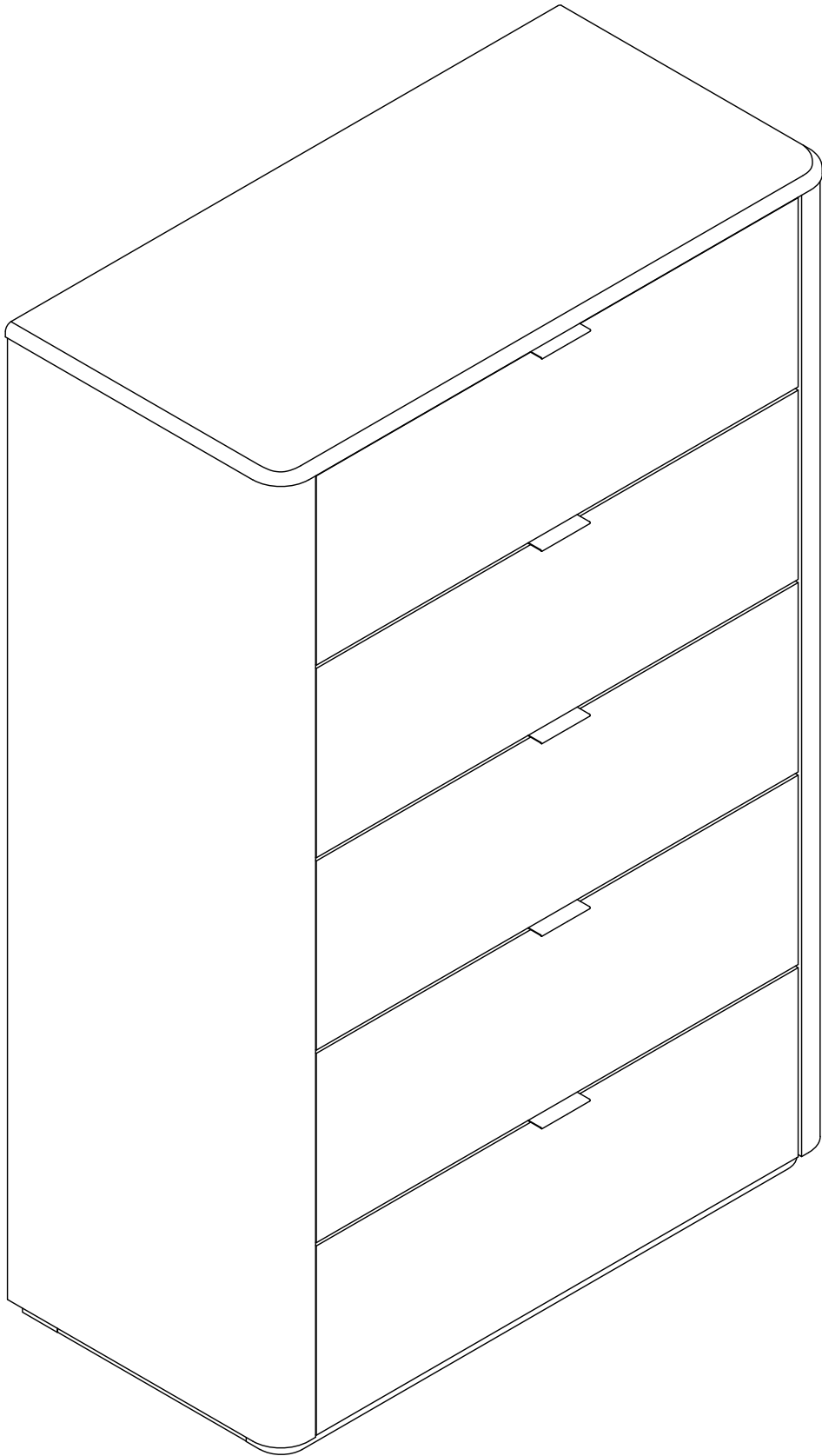


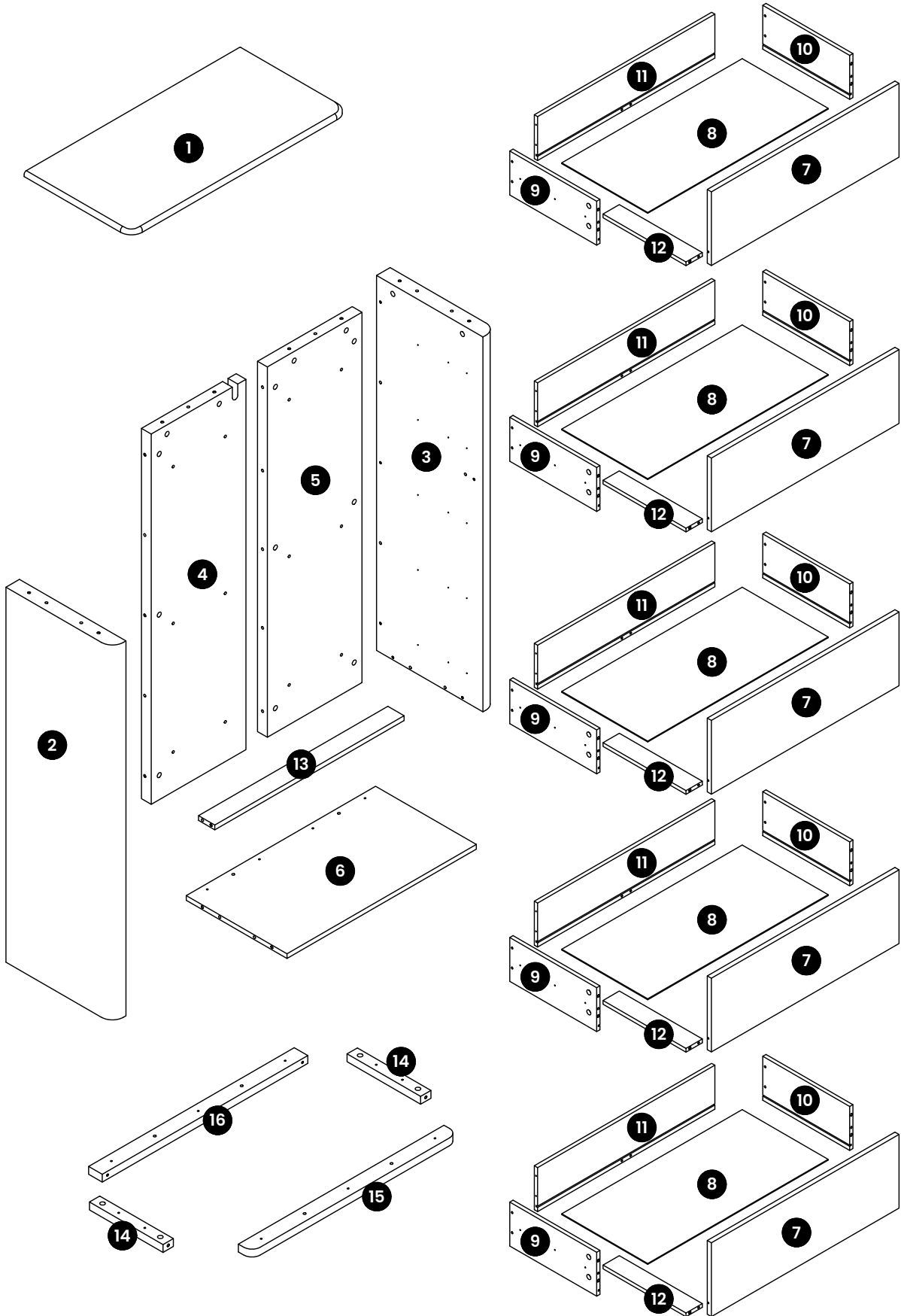
Wall mounting only

These tools are not required for product assembly.



Multi-person installation

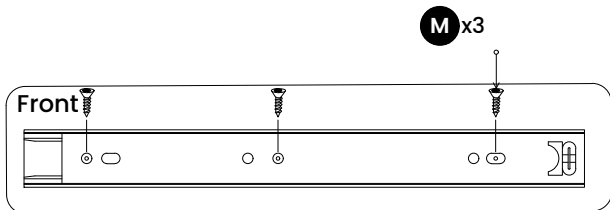
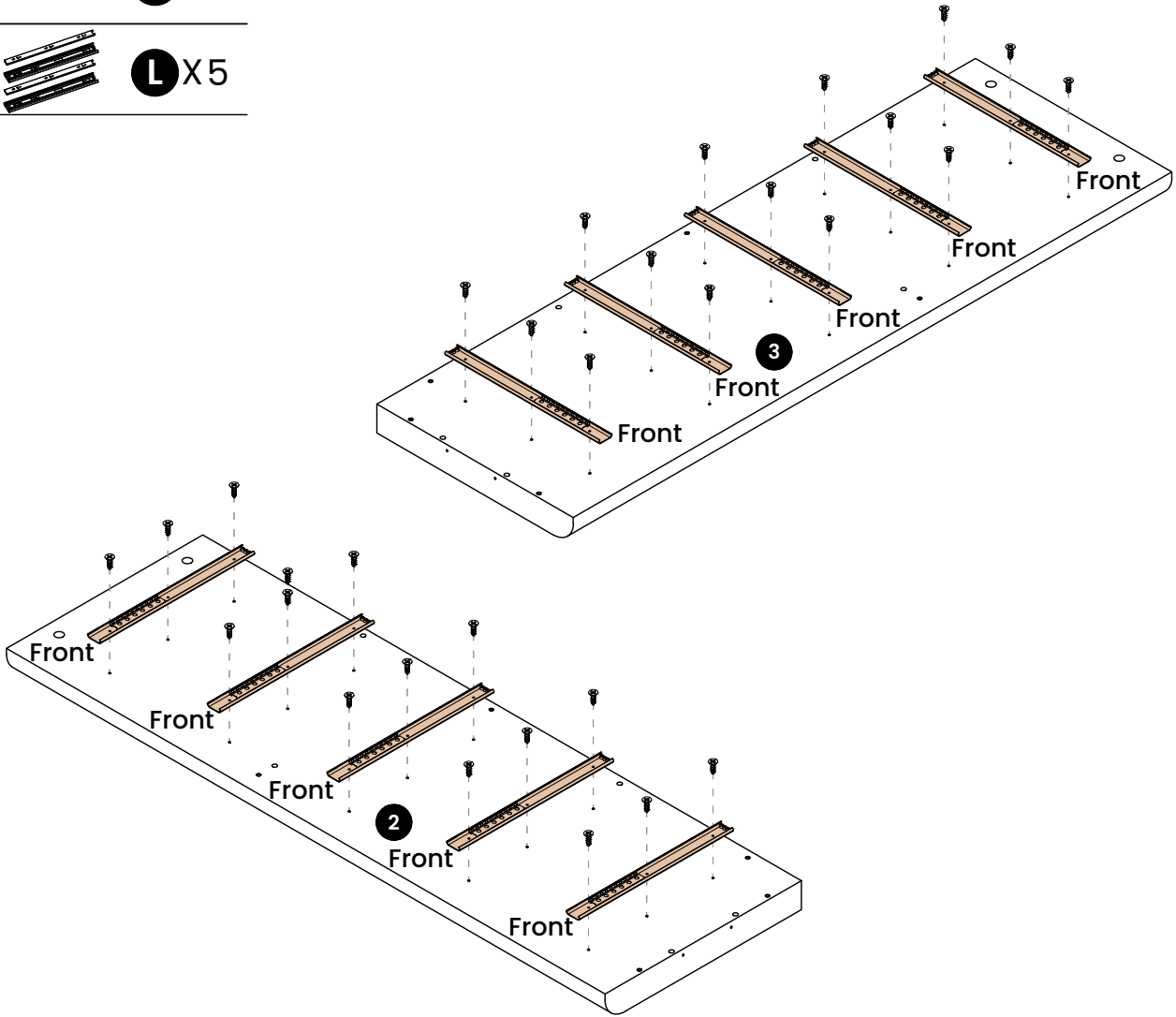




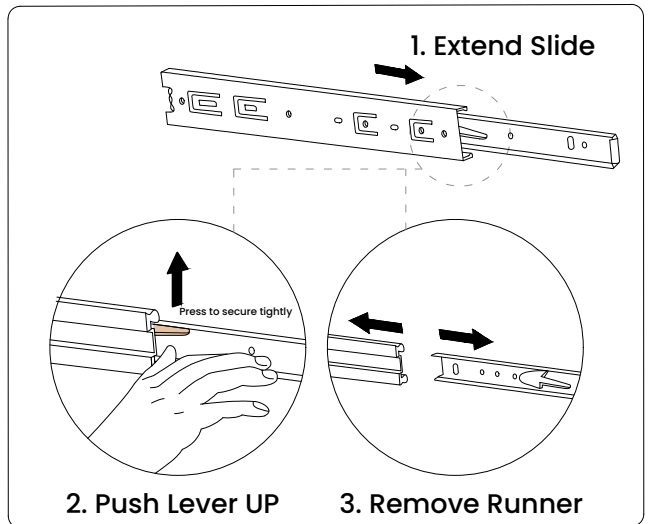
STEP 1

 M X 30

 L X 5



 Pay attention to the position of the screws

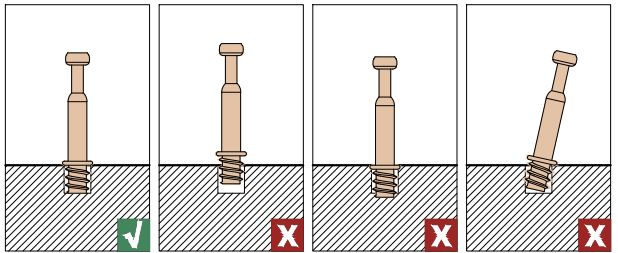
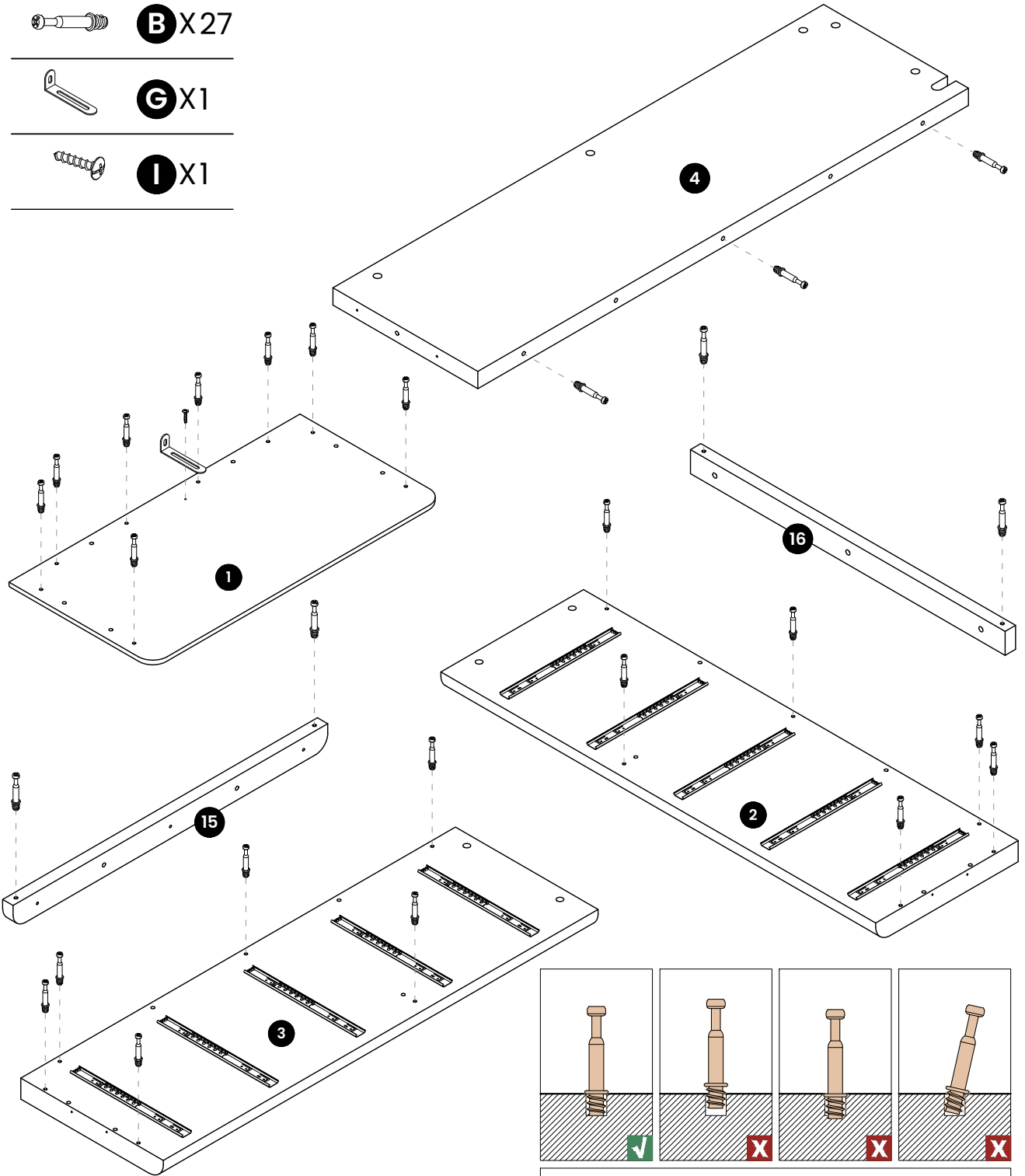



STEP 2

 **B** X27

 **G** X1

 **I** X1



 Install the screw correctly to secure the screw.

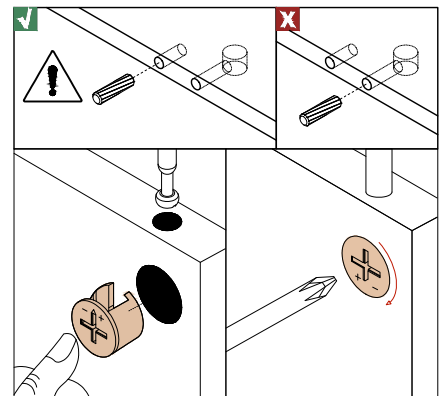
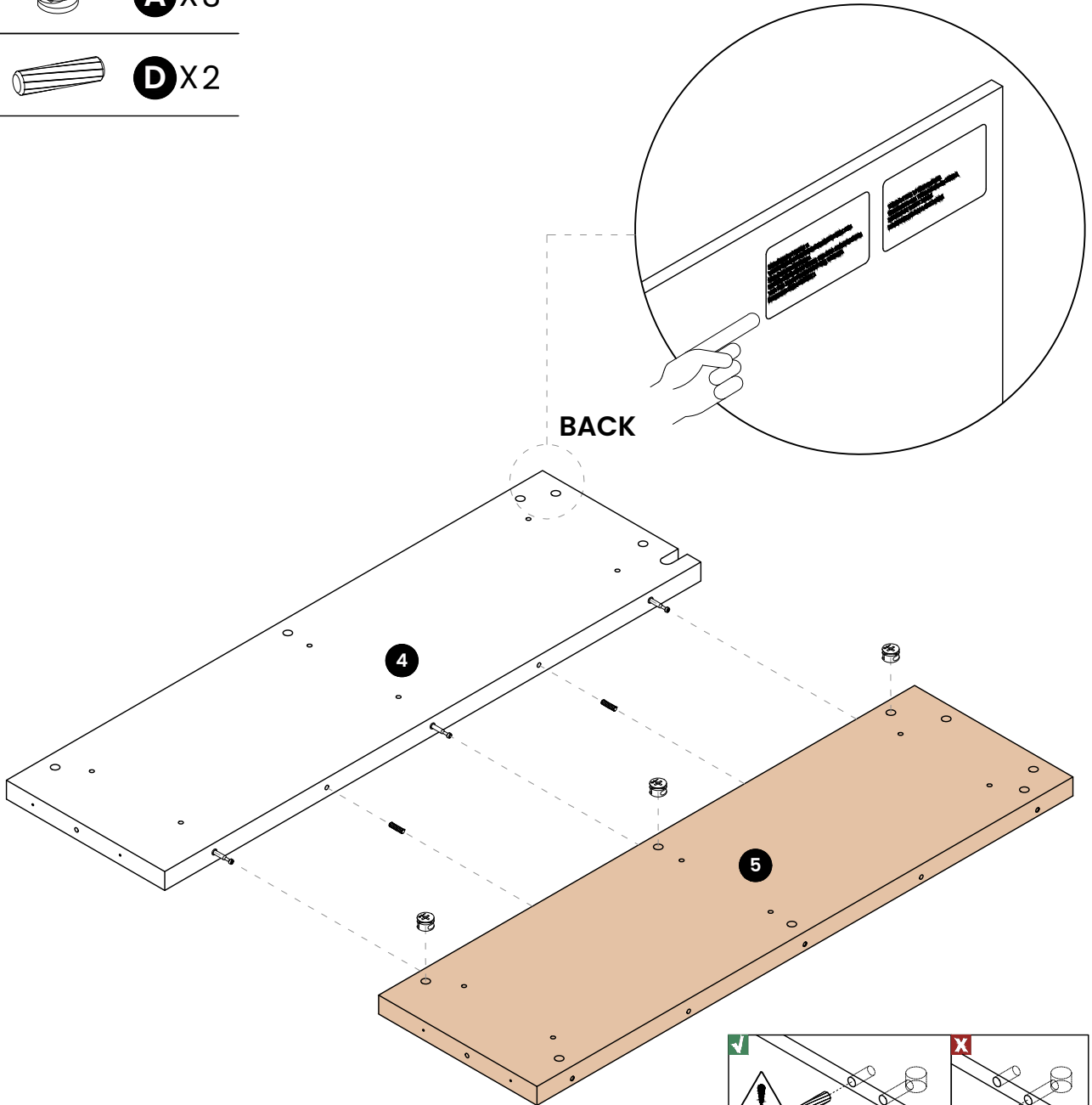
STEP 3



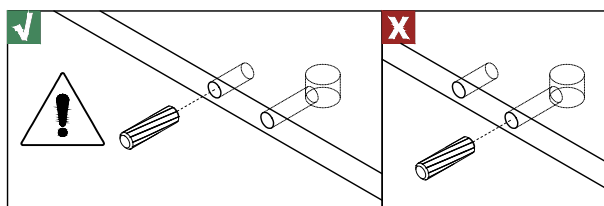
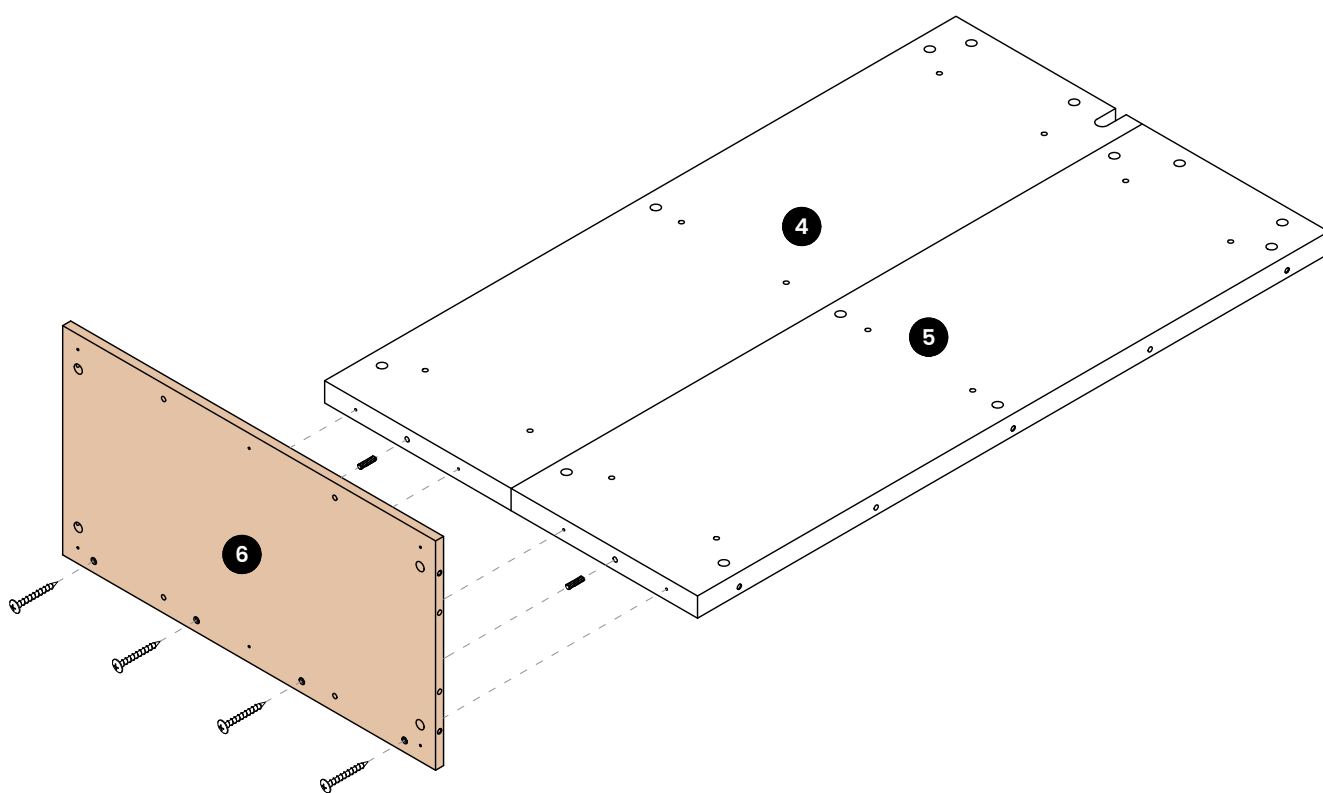
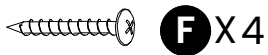
A X3



D X2



STEP 4



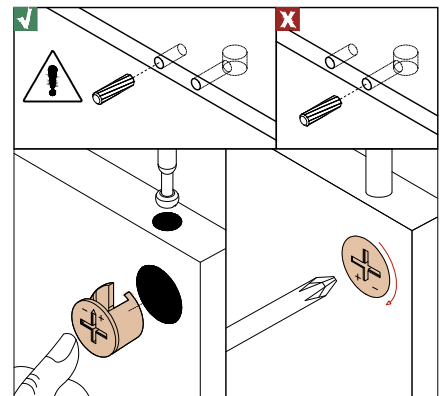
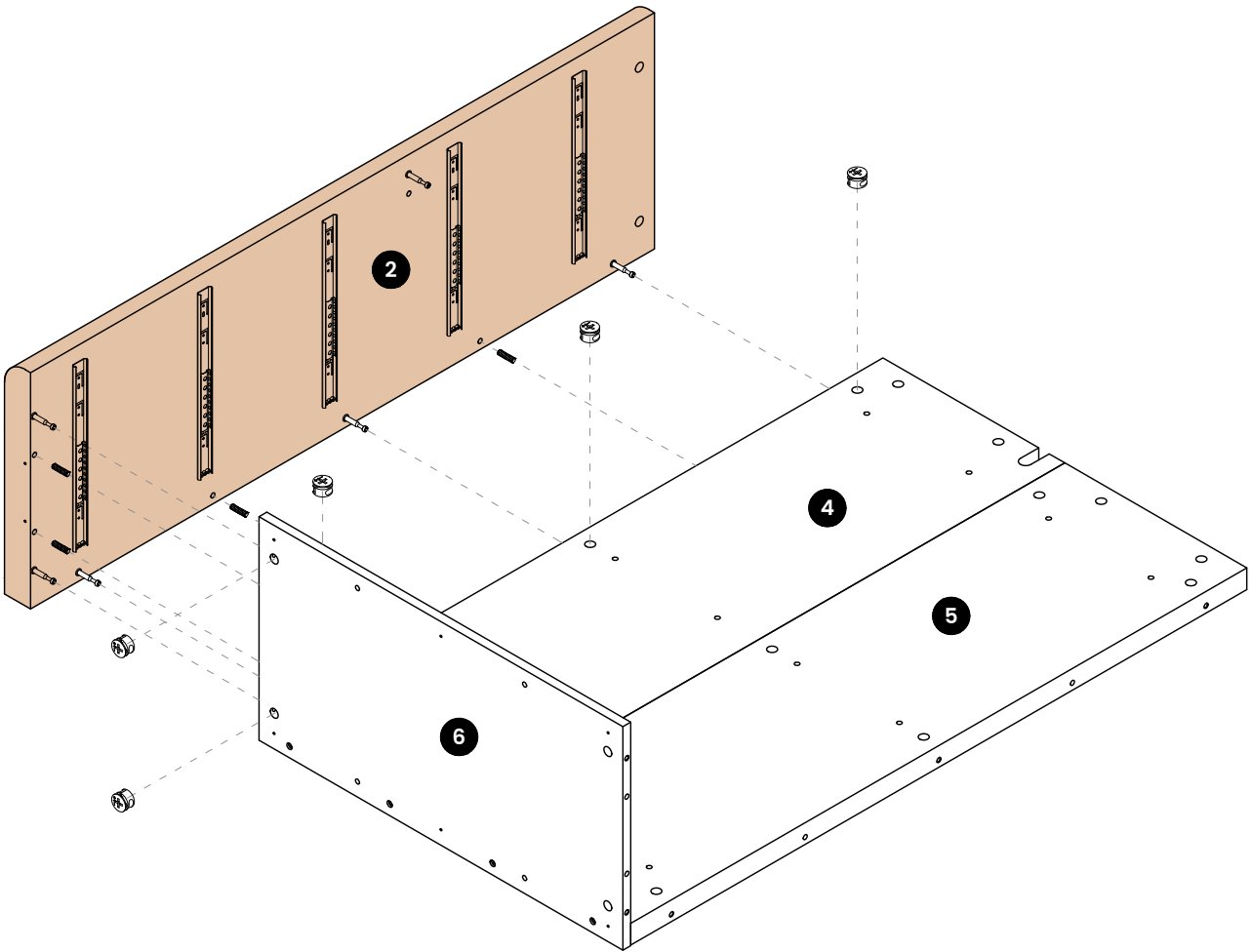
STEP 5



A X5



D X4



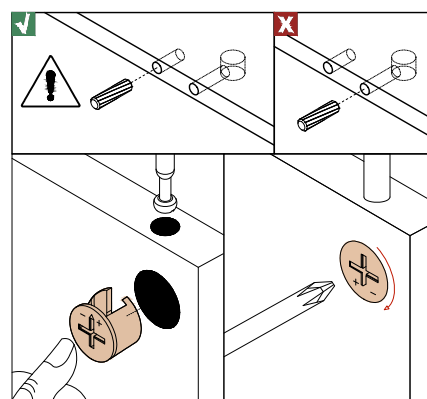
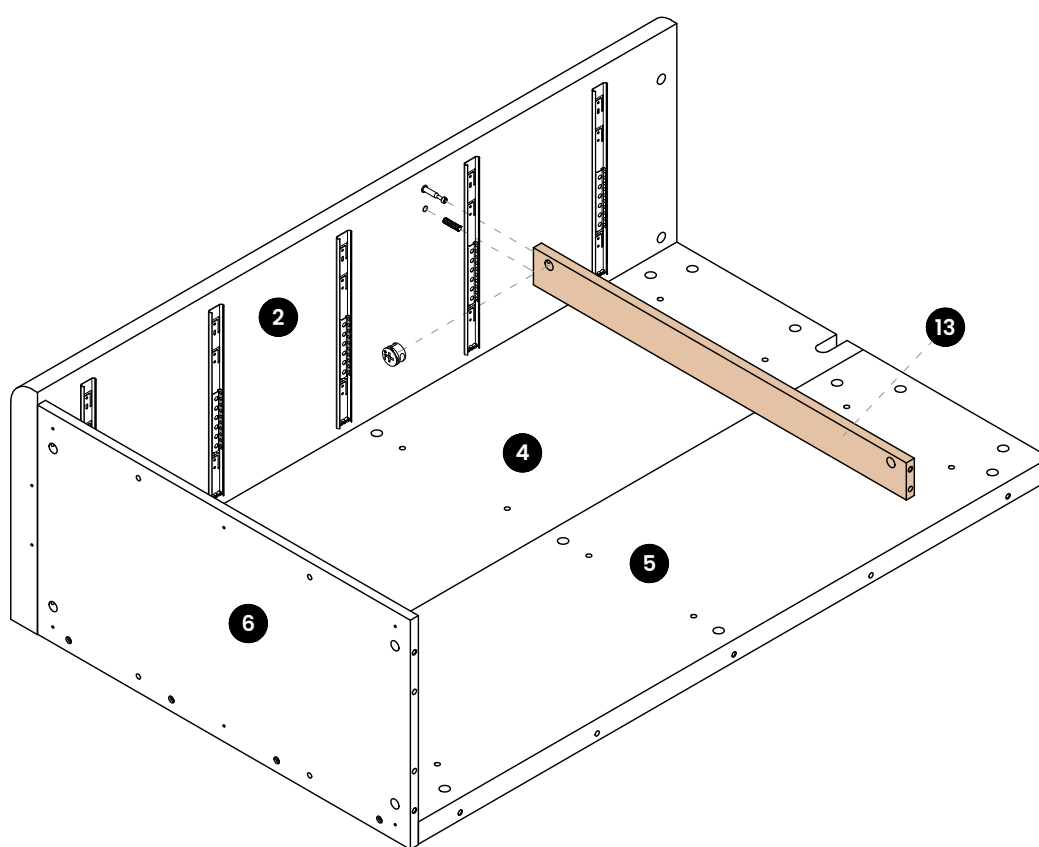
STEP 6



A X1



D X1



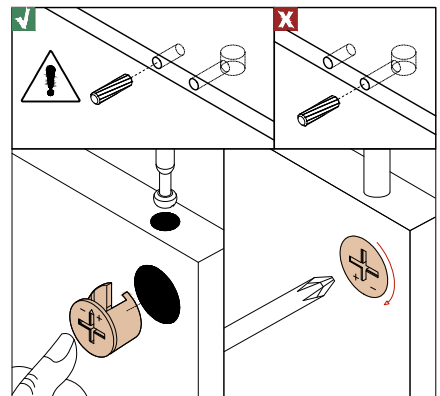
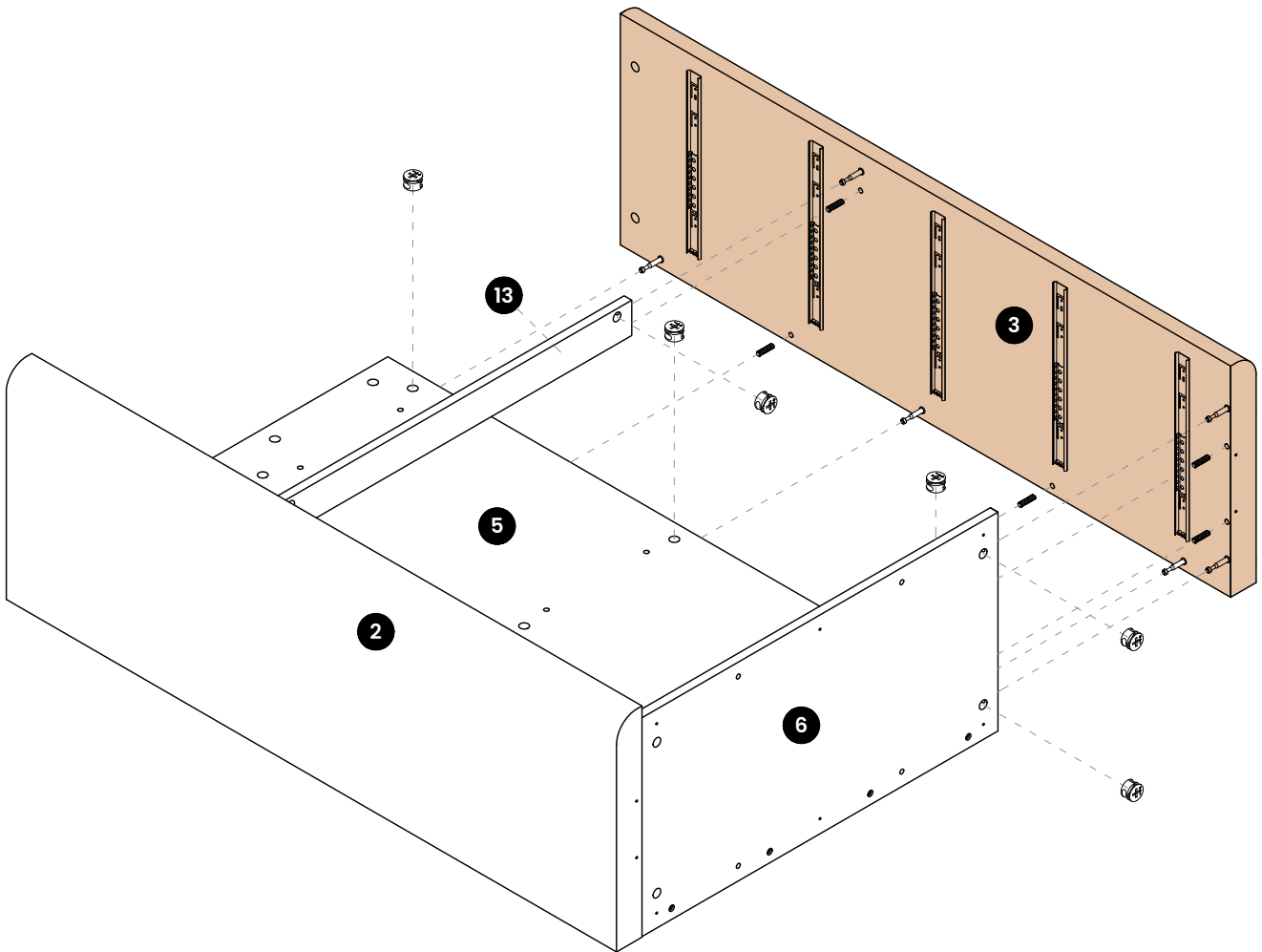
STEP 7



A X6



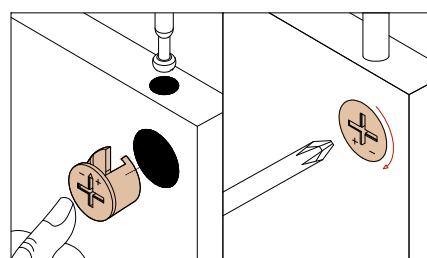
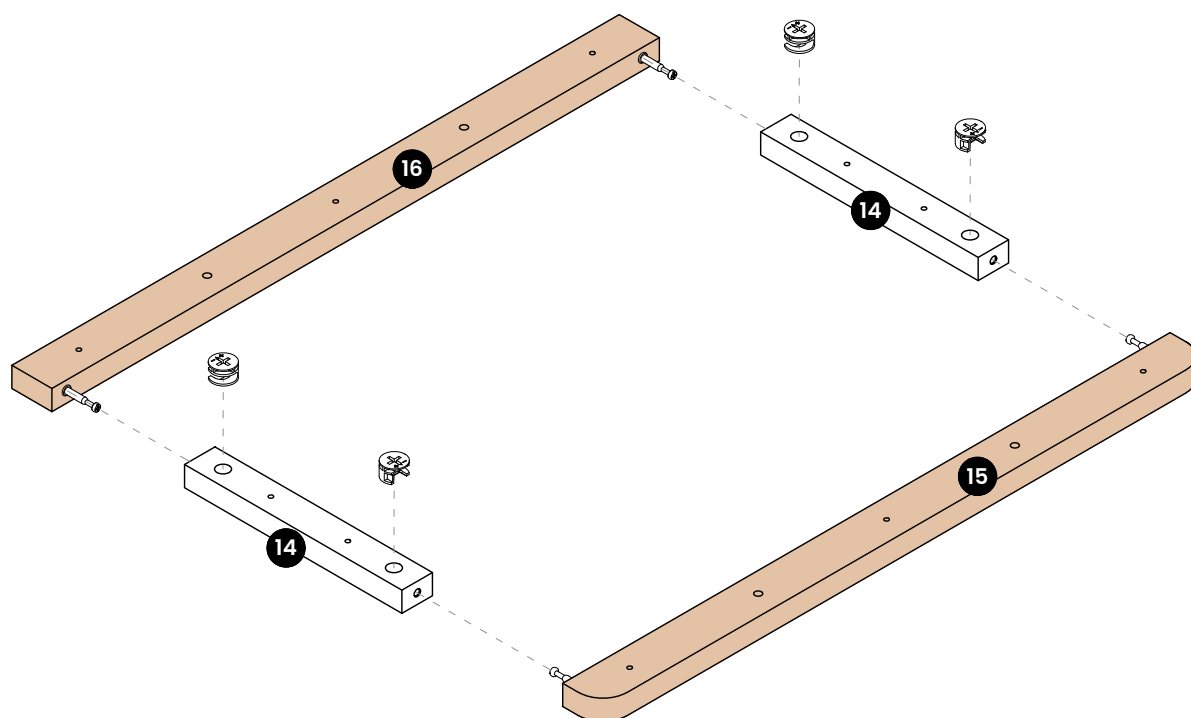
D X5



STEP 8



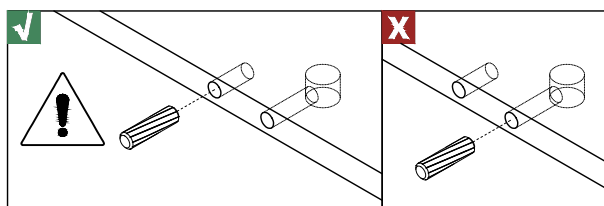
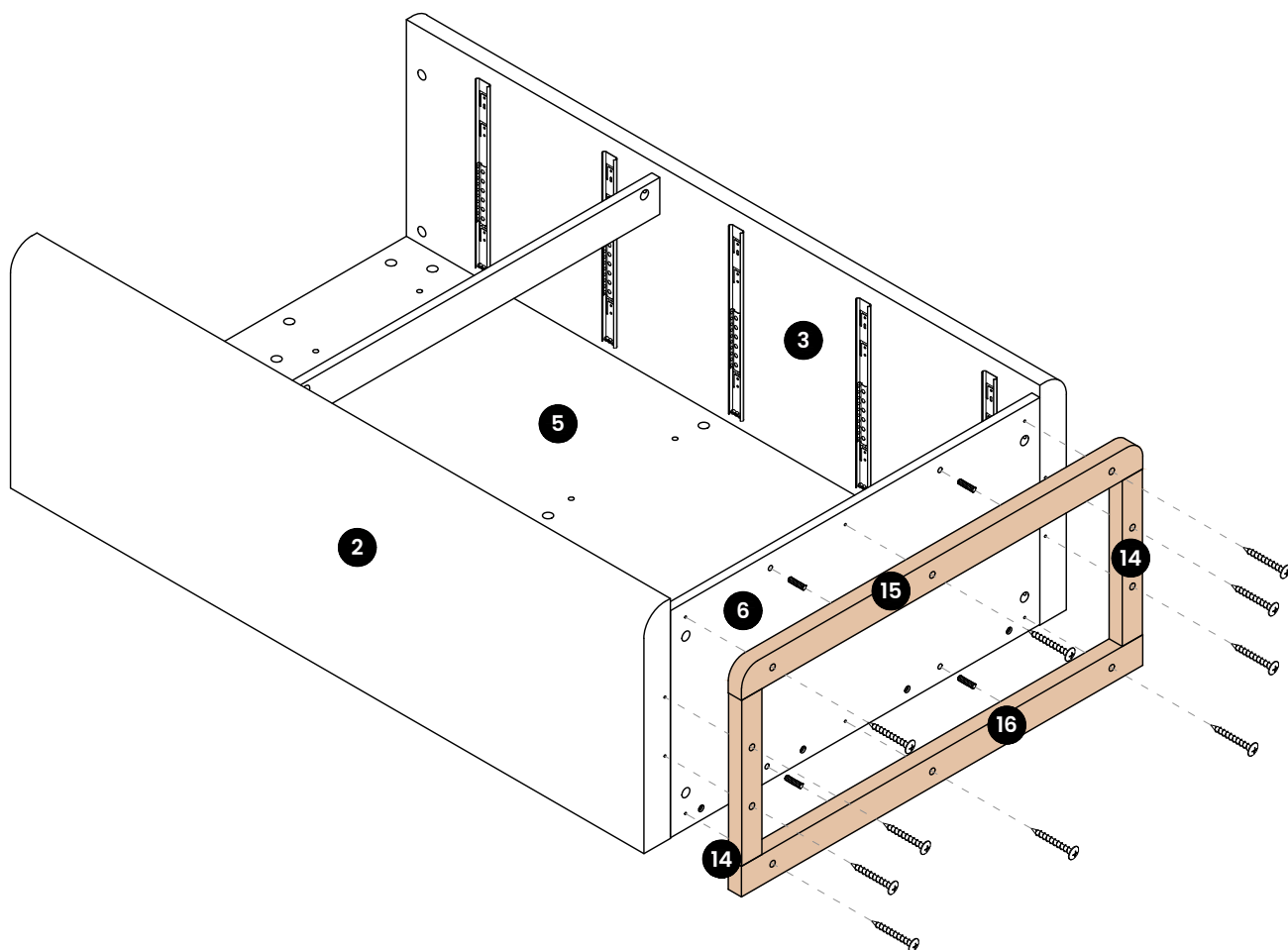
A X4



STEP 9

 **D** X4

 **F** X10



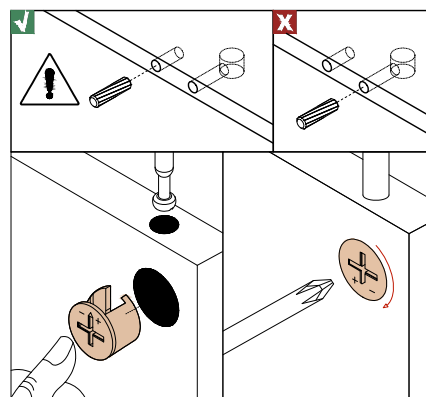
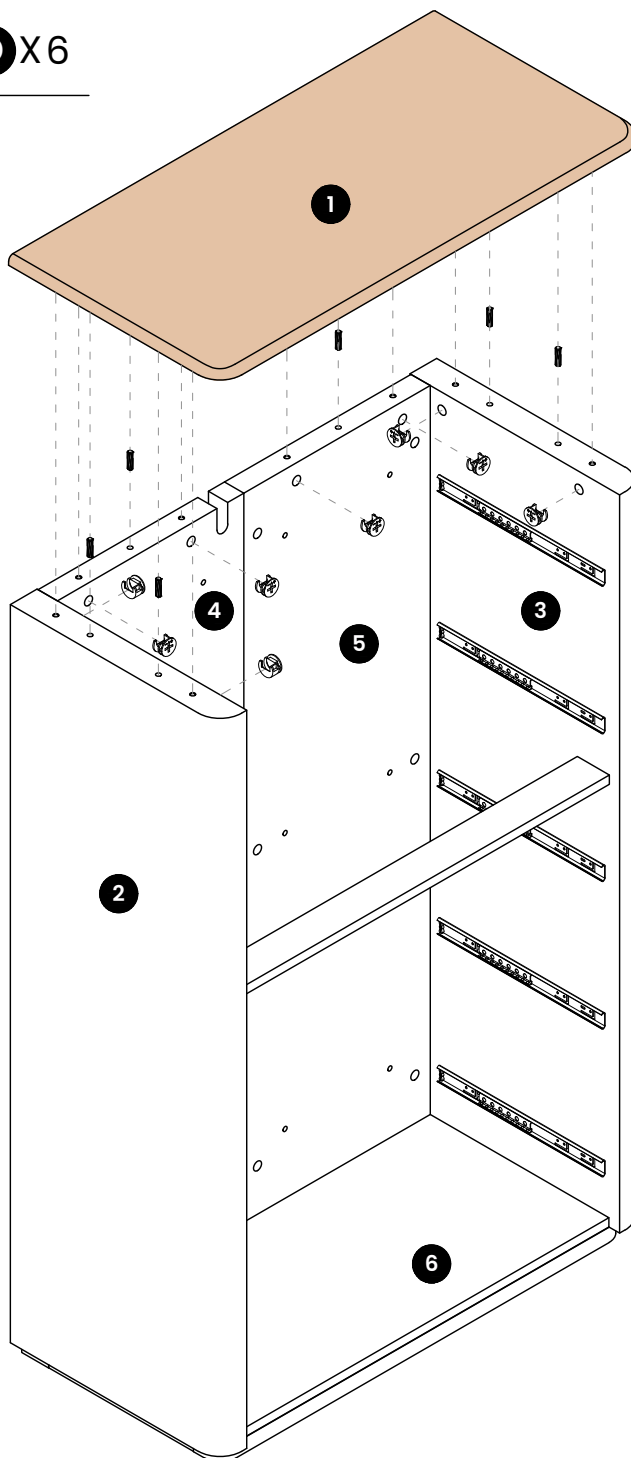
STEP 10



A X8



D X6



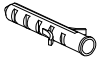
STEP 11

Wall-Mounted Installation

Step 1: Identify the correct location for the anti-tipping device on the wall and make a clear mark.

Step 2: Drill a hole, then fix the expansion plug firmly in the wall.

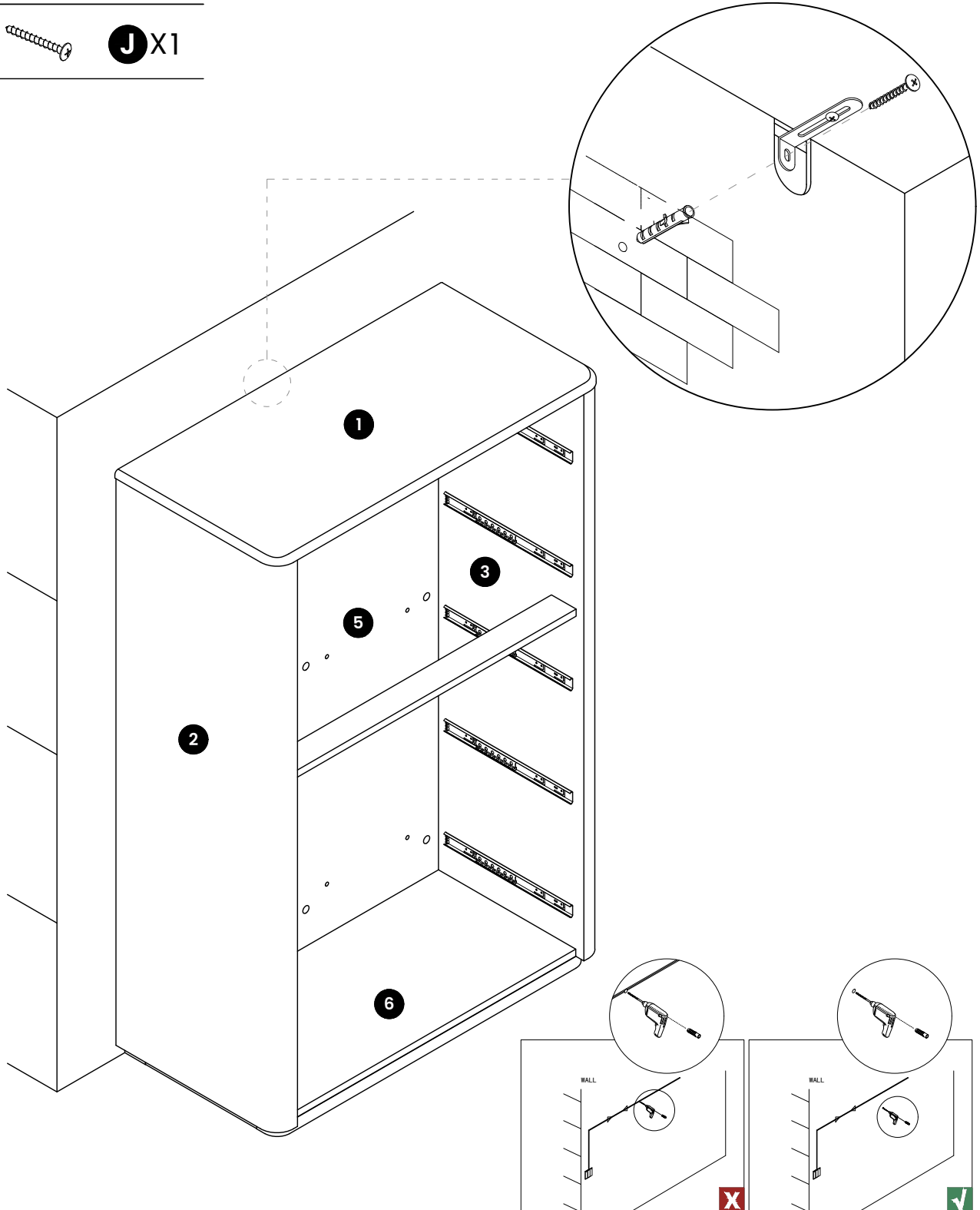
Step 3: Use screws to attach the L-shaped angle bracket to the wall.



H X1



J X1

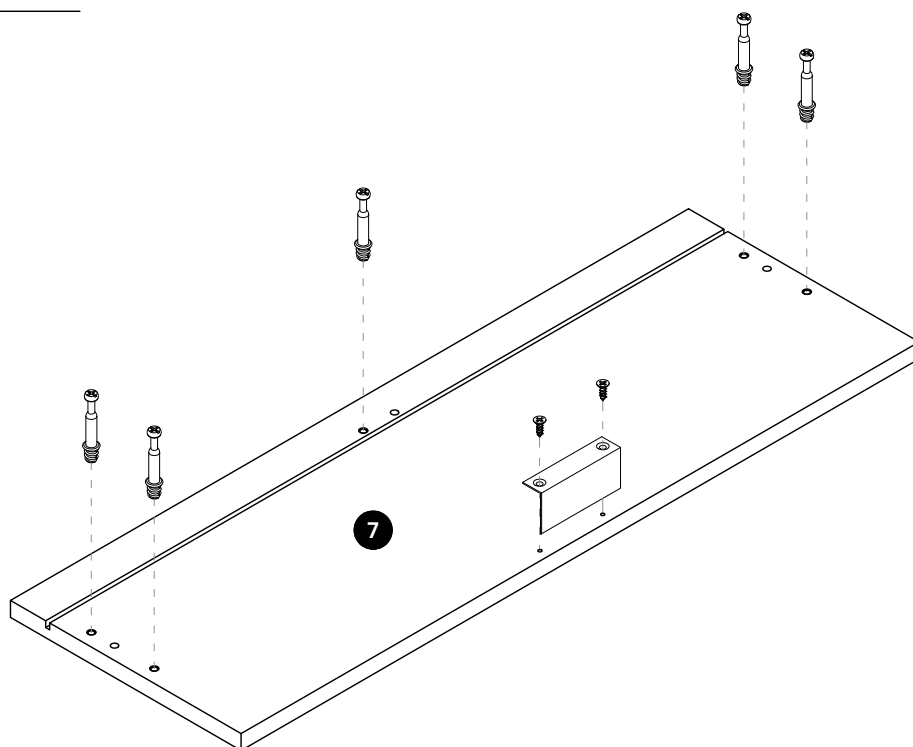


STEP 12

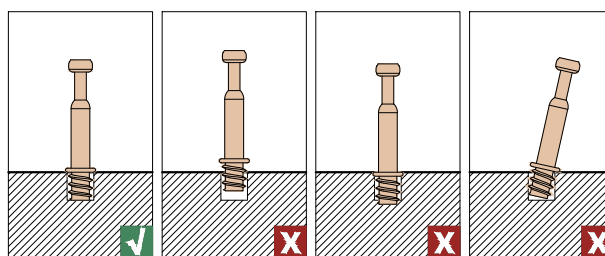
 **B** X25

 **M** X10

 **K** X5



x5

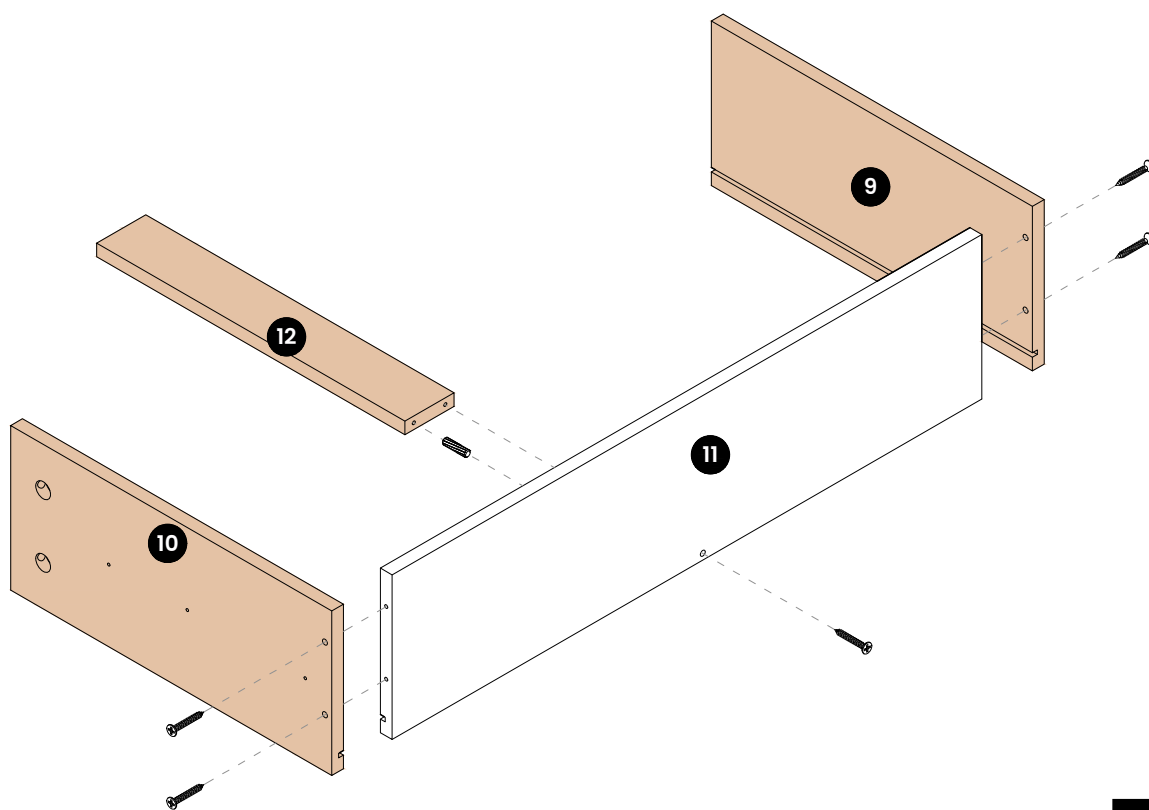


Install the screw correctly to secure the screw.

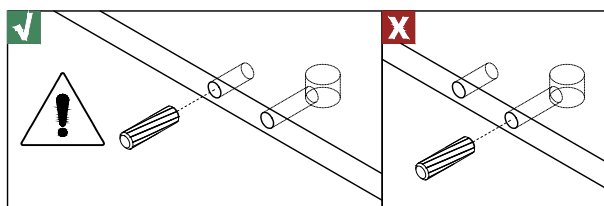
STEP 13

 **E** X25

 **C** X5



x5



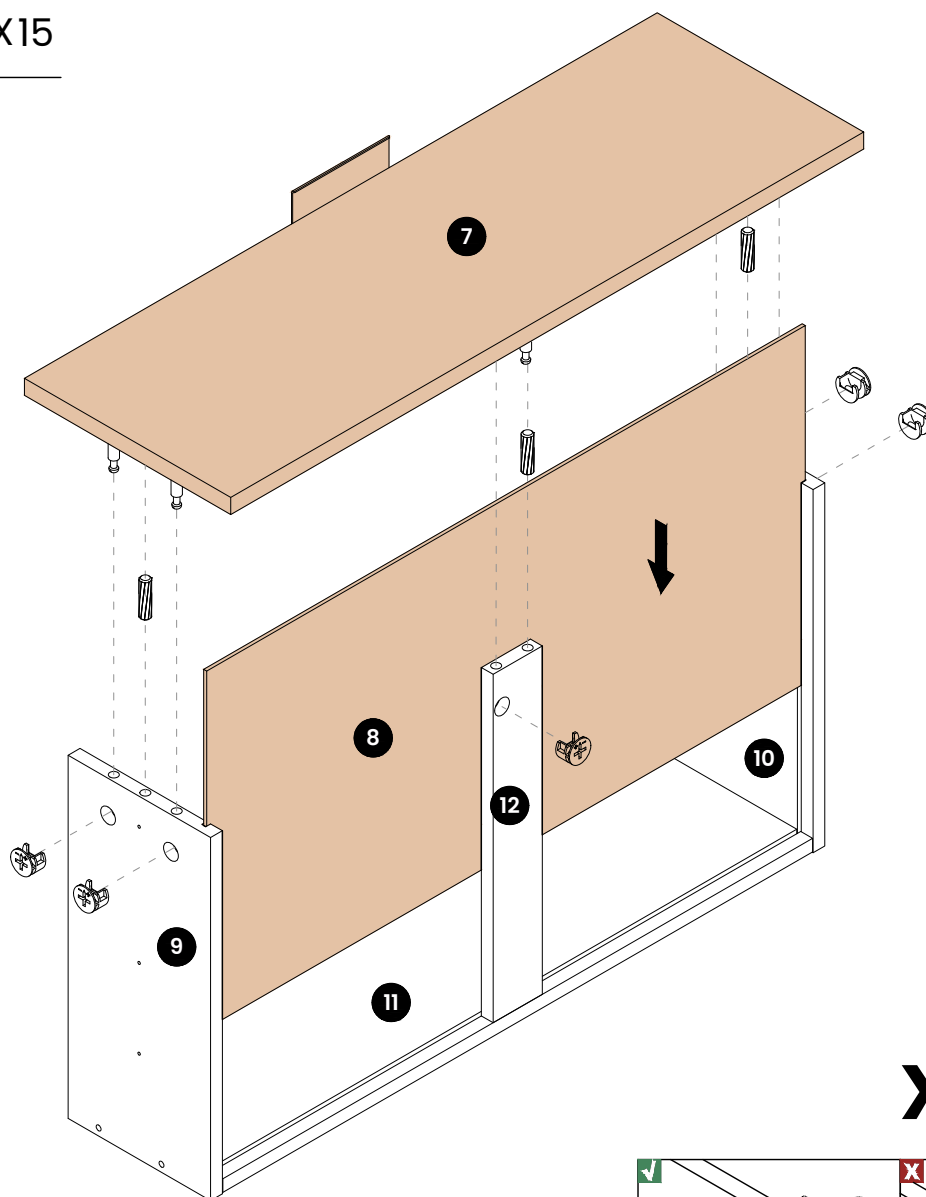
STEP 14



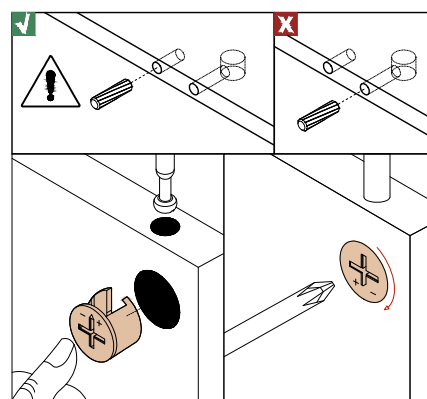
A X25



C X15



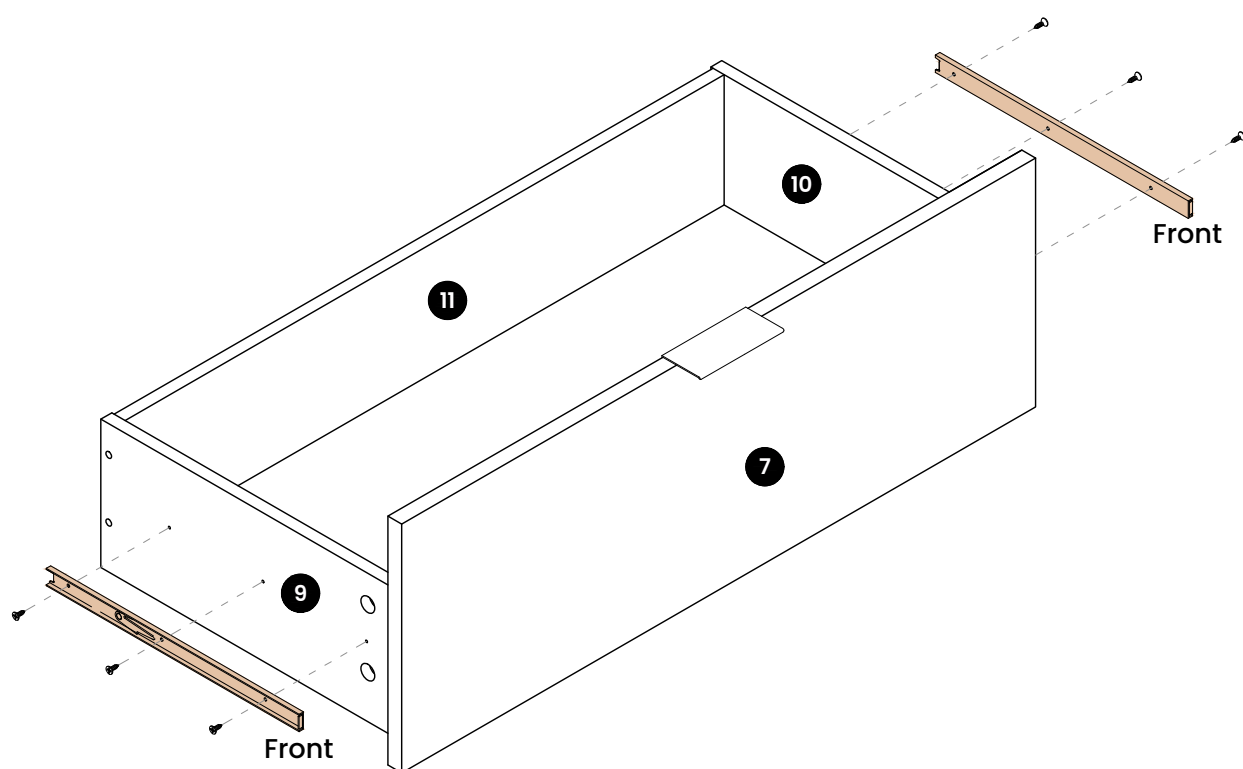
x5



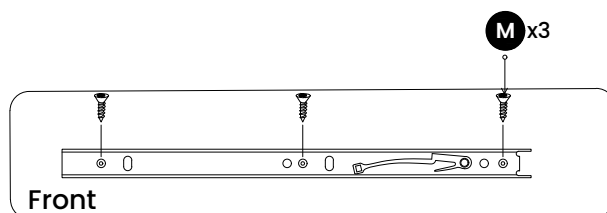
STEP 15


 **M** X30

 **L** X5

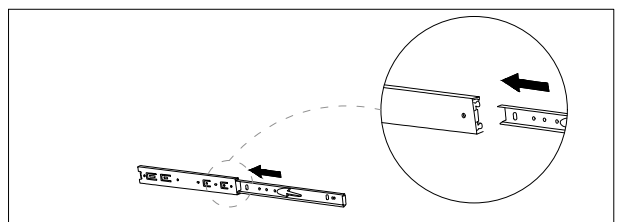
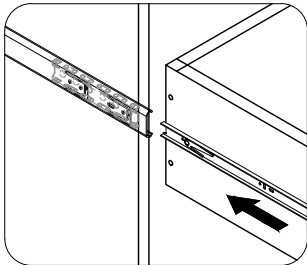
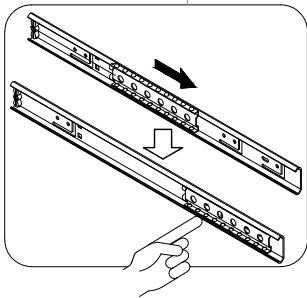
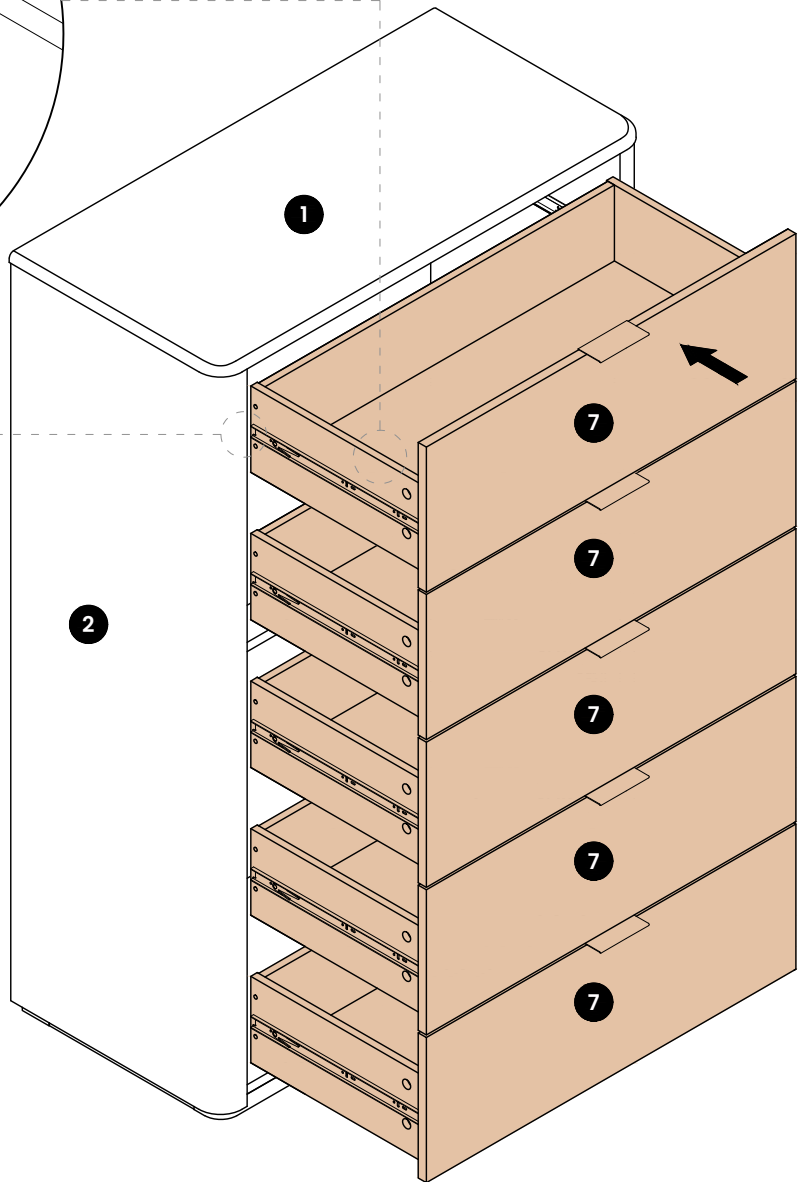
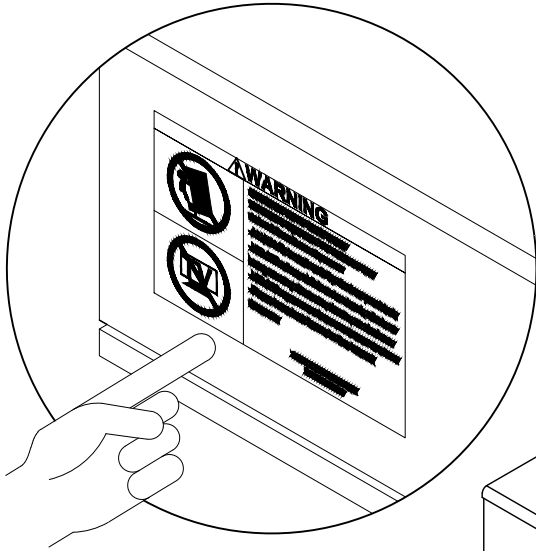


x5



 Pay attention to the position of the screws

STEP 16





After-Sales Service Hotline: (800) 661-5928