

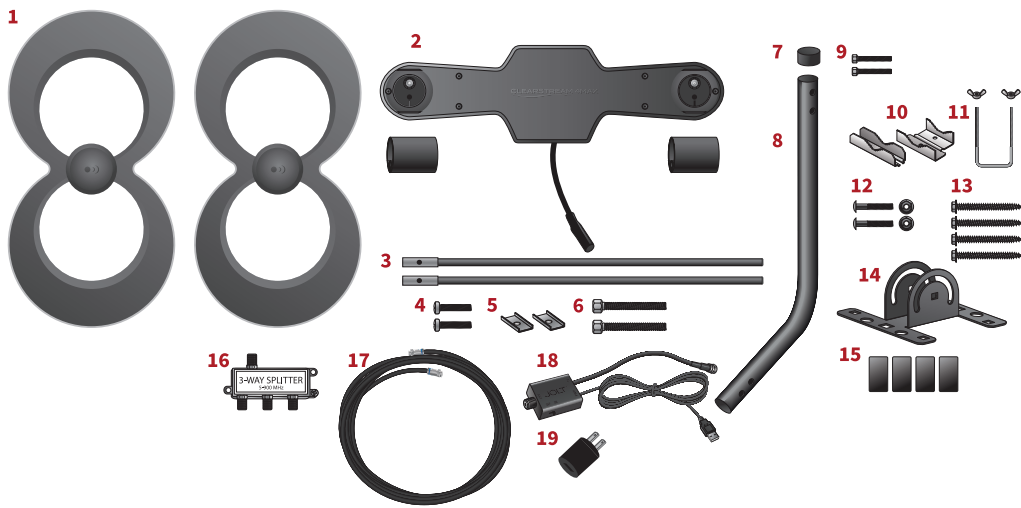
Quick Start Assembly/Installation Instructions

CLEARSTREAM 4MAX™ COMPLETE

Before beginning assembly, make sure all parts needed are present.

READ BEFORE INSTALLATION:

Before permanently attaching the antenna to any surface, **TEST RECEPTION** in that area. Connect the antenna to the TV or converter box and run a full channel scan. If reception is not as desired, move the antenna and rescan for the available channels.



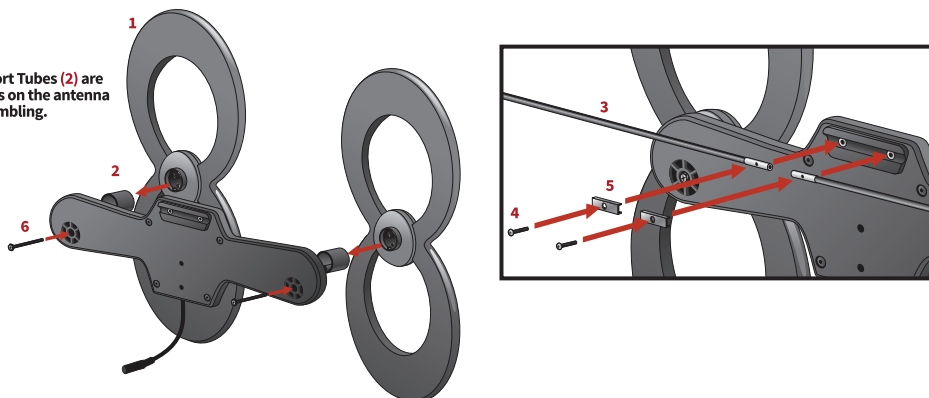
The ClearStream 4MAX Complete comes with:

- 1) 2 - Antenna Elements
- 2) Antenna Spine with 2 Short Tubes
- 3) 2 - VHF Dipoles
- 4) 2 - 16mm Dipole End Cap Screws
- 5) 2 - Dipole End Caps
- 6) 2 - 60mm Antenna Spine Bolts
- 7) Mast End Cap
- 8) Mast
- 9) 2 - 20mm Mast Clamp Bolts
- 10) Mast Clamp Back Plate
- 11) U-Bolt and Wing Nuts
- 12) 2 - 40mm Hex Bolts and Nuts
- 13) 4 - 50mm Screws
- 14) Mount Base
- 15) 4 - Sealing Pads
- 16) 3-Way Splitter
- 17) 30 ft. Coaxial Cable
- 18) Jolt Switch 18 dB In-Line Amplifier with Coaxial Cable and 6 ft. USB Cable
- 19) USB Power Adapter (style may vary)

SET UP THE ANTENNA:

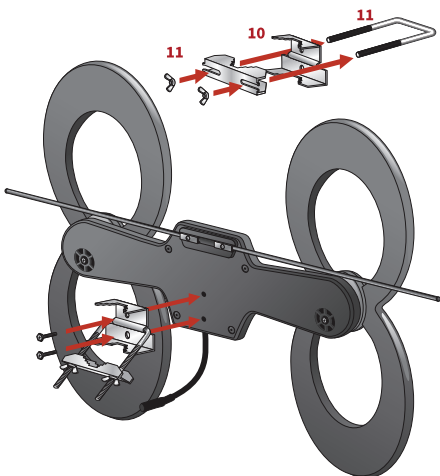
Required: Adjustable Wrench, Power Drill, 3/16" Drill Bit, 8 and 10mm Ratcheting Drivers, and a #2 Phillips Screwdriver

Make sure the Short Tubes (2) are placed in the holes on the antenna spine before assembling.

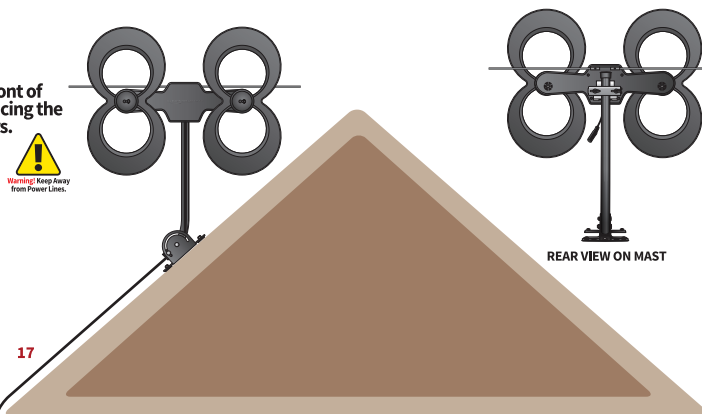


INSTALLATION:

IMPORTANT: CHECK THE RECEPTION IN THE LOCATION WHERE YOU INTEND TO INSTALL THE ANTENNA PRIOR TO ATTACHING THE MAST TO ANY SURFACE.



Make sure the front of the antenna is facing the broadcast towers.

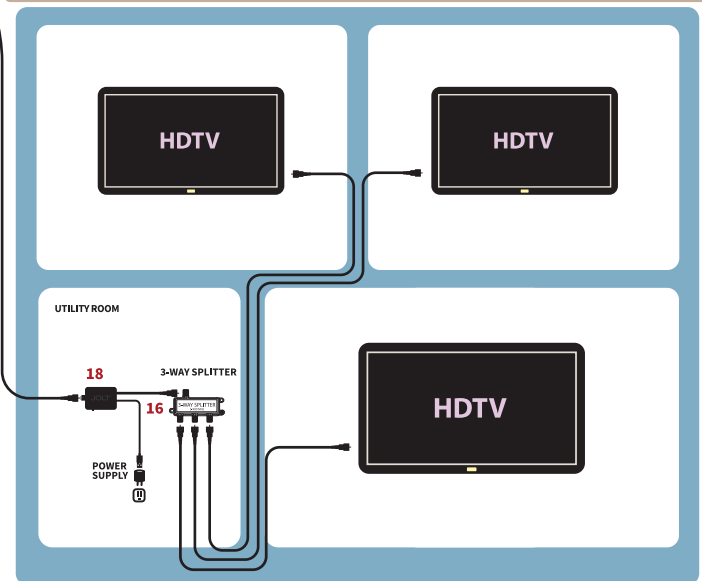


Before installing the antenna on the Mast (8), adjust the mast, so it is in a vertical position. You will need to adjust the antenna after it is mounted for the best reception.

NOTE: You must use the 30 ft. coaxial cable (provided) between the antenna and the amplifier. You cannot attach the male connector on the amplifier's coaxial cable to the antenna or the antenna and amplifier will not work.

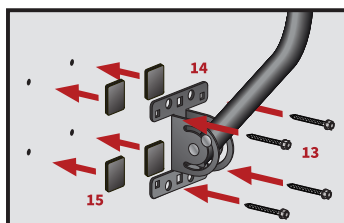


The Jolt Switch gives you control in real time when managing your TV signals. The simple ON/OFF switch allows you to bypass amplification when a TV channel doesn't need it. The amplifier arrives in the ON position, increasing TV signals for a clearer picture and sound. When the switch is OFF, easily bypass the amplifier while signals are still being filtered from cellular and FM interference. **Certain TV signals may be strong enough that an amplifier is not necessary.** If a channel is distorted or pixilated when the amplifier is ON, it may be over-amplified. Toggle the switch to the OFF position. You do not need to rescan your TV for channels unless you reposition or reconnect your antenna.



WALL MOUNT:

Mark the Mount Base (14) position on the desired surface and drill pilot holes, 1 1/2" deep, for each of the 50mm Screws (13). Place the Sealing Pads (15) over the pilot holes, and the Mount Base (14) on top of the Sealing Pads.



Now that you've installed your antenna, you are ready to scan for channels. See "Scanning for channels" in the troubleshooting guide.

Congratulations! You're watching HDTV for FREE! Welcome to the Antennas Direct cord-cutting family.

Call to Learn.
Toll-Free Helpline: **1-877-825-5572**

Technical Assistance is available Monday – Friday, 9:00 am to 7:00 pm and Saturday – Sunday, 10:00 am to 6:00 pm, Central Time.



Find TV Channels
Aim Your Antenna

FREE
Antenna Point app



or go to antennapoint.com

TROUBLESHOOTING:

Problem: I'm not getting any signals at all.

Possible causes:

1. Analog-only televisions (manufactured before 2007) require a digital converter box. You **MUST** perform a channel scan on the converter box.
2. **SCANNING FOR CHANNELS:** A digital TV must be programmed in order to receive digital channels. Once your antenna is installed, you must complete a channel scan, even if you have done so before installing to find the best location for the antenna.
 - a) Your TV must be set to the proper input source. Press the "Input" (or "Source") button on your remote and make sure the input is set to TV.
 - b) Follow the instructions specific to the make and model of your television or converter box to set the signal type to "ANTENNA", "AIR", or "BROADCAST", **not "Cable"**.
 - c) Go to the main menu of your TV or converter box and complete a channel scan. This could be listed as "Auto Program", "Auto Tuning", or "Auto Channel Scan". Consult the owner's manual for your specific device and more precise guidelines. Be ready to experiment with various locations in your home. Remember to rescan for channels in every location.
3. Make sure the front of the antenna is facing the broadcast tower locations serving your area. Visit www.antennapoint.com for more information on broadcasters and tower locations serving your area, or download the **free Antenna Point app** to your Android/iOS smartphone or tablet.
4. **Outdoor Use:** You do not have a clear line of sight to your local broadcast towers.

You might need to elevate and/or move your antenna. Make certain the antenna is not aimed into physical obstacles such as a roof, building, or trees. Remember to rescan for channels in every location.
5. You are outside the range of your antenna's capabilities.

Depending upon the distance between your home and the local broadcast towers, you may need a longer range outdoor/attic antenna. Antennas Direct offers many models for this purpose.

6. You may have loose coaxial cable connections. Check ALL connections for a tight fit and check all outdoor connections for moisture or corrosion.
7. **Indoor Use:** Building materials such as brick, metal siding, radiant barrier, or stucco can greatly reduce the incoming signal. If in an attic, move the antenna outdoors. If outdoors, make certain the antenna is not aimed into physical obstacles, such as buildings, trees, or a hill. Remember to rescan every time you move your antenna.

Problem: I'm receiving every channel except for one.

Possible cause:

1. You may need to rescan the TV tuner or converter box. The channel you are not receiving may have its transmitter lower on the broadcast tower or on a different tower than the other transmitters and your line of sight is obstructed. Try elevating the antenna or moving it to another location. Repeat as needed.

Problem: I'm having signal breakups, but I'm only two miles from the broadcast tower.

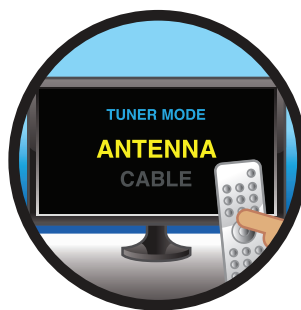
Possible cause:

1. Your TV may be receiving interfering signals. A larger/stronger antenna will not necessarily solve this problem. Consider moving the antenna, making sure it is not placed near metal objects or other antennas. If this is not successful, your signal may be too strong and may require the use of an attenuator. Call our helpline or chat with us online at antennasdirect.com for an analysis of your area and installation. We may be able to offer simple solutions.

Before You Return, Call to Learn.



For Tower Locations:
antennapoint.com



Input on Antenna Mode



Scanning is a Must
When in Doubt, Rescan

HELPLINE: 1-877-825-5572
Model # C4M-AC

Antennas Direct™ Inc.
Antenna Lifetime Warranty

Antennas Direct™ Inc. warrants this product against any defects in materials or workmanship for as long as you own the product. No warranty claim will be honored unless, at the time the claim is made, you present proof of purchase from an authorized Antennas Direct™ Inc. dealer.

Antennas Direct™ Inc. will either repair or replace the defective product at no charge to you. This warranty covers parts, but does not cover any costs incurred in the removal or reinstallation of the product. This limited warranty does not apply if the product is damaged or fails due to: misuse, improper installation, abuse, and modification of the product as originally manufactured by Antennas Direct.

Antennas Direct™ Inc. will not assume any liabilities for any other warranties, expressed or implied by any other person. The foregoing shall be the sole and exclusive remedy of any person, whether in contract, tort, or otherwise, and Antennas Direct™ Inc. shall not be liable for incidental or consequential damage or commercial loss, or for any other loss or damage, as set forth above.

16388 Westwoods Business Park, Ellisville, MO 63021, USA

Limited 90 Day Warranty Jolt™ Switch In-Line Amplifier, 3-Way Splitter, and Coaxial Cable

Antennas Direct™ Inc. warrants this product against any defects in materials or workmanship for ninety (90) days. No warranty claim will be honored unless, at the time the claim is made, you present proof of purchase from an authorized Antennas Direct™ Inc. dealer.

Antennas Direct™ Inc. will either repair or replace the defective product at no charge to you. This warranty covers parts but does not cover any costs incurred in the removal or reinstallation of the product. This limited warranty does not apply if the product is damaged or fails due to: misuse, improper installation, abuse, and modification of the product as originally manufactured by Antennas Direct.

Antennas Direct™ Inc. will not assume any liabilities for any other warranties, expressed or implied by any other person. The foregoing shall be the sole and exclusive remedy of any person, whether in contract, tort, or otherwise, and Antennas Direct™ Inc. shall not be liable for incidental or consequential damage or commercial loss, or for any other loss or damage, as set forth above.

16388 Westwoods Business Park, Ellisville, MO 63021, USA

©Antennas Direct
Model # C4M-AC 01.2022

Amplifier Regulatory Notice: This device complies with part 15 of the FCC Rules. Operation is subject to the following two conditions:

(1) This device may not cause harmful interference, and (2) this device must accept any interference received, including interference that may cause undesired operation.

This equipment has been tested and found to comply with the limits for a Class B Digital Device, pursuant to Part 15 of the FCC Rules. These limits are designed to provide reasonable protection against harmful interference in a residential installation.

This equipment generates, uses, and can radiate radio frequency energy and, if not installed and used in accordance with the instructions, may cause harmful interference to radio communication. However, there is no guarantee interference will not occur in a particular installation.

If this equipment does cause harmful interference to radio or television reception, which can be determined by turning the equipment off and on, the user is encouraged to try to correct the interference by one or more of the following measures:

1. Reorient or relocate the antenna.
2. Increase the separation between the equipment and converter box.
3. Connect the equipment into an outlet on a different circuit from which the converter box is connected.



Call to Learn.
Toll-Free Helpline: 1-877-825-5572

Technical Assistance is available Monday – Friday, 9:00 am to 7:00 pm
and Saturday – Sunday, 10:00 am to 6:00 pm, Central Time.



Warning! Keep Away
from Power Lines.