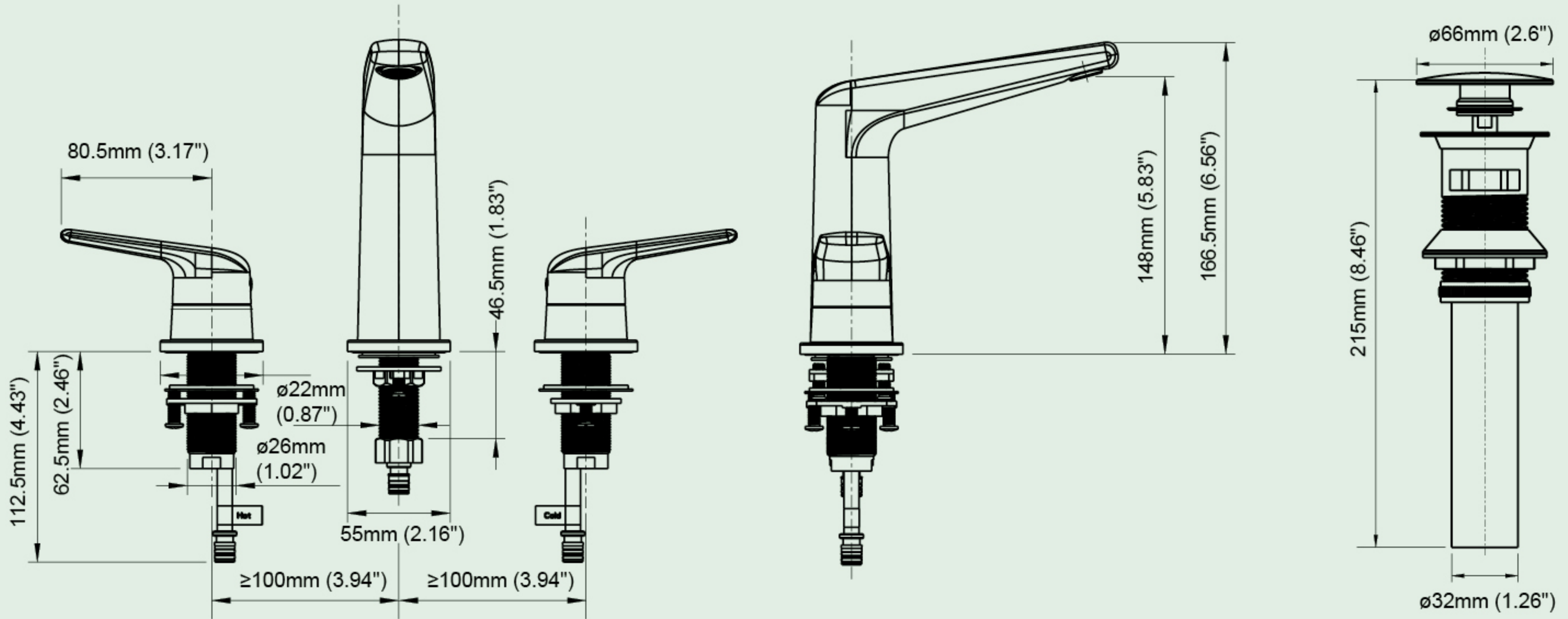
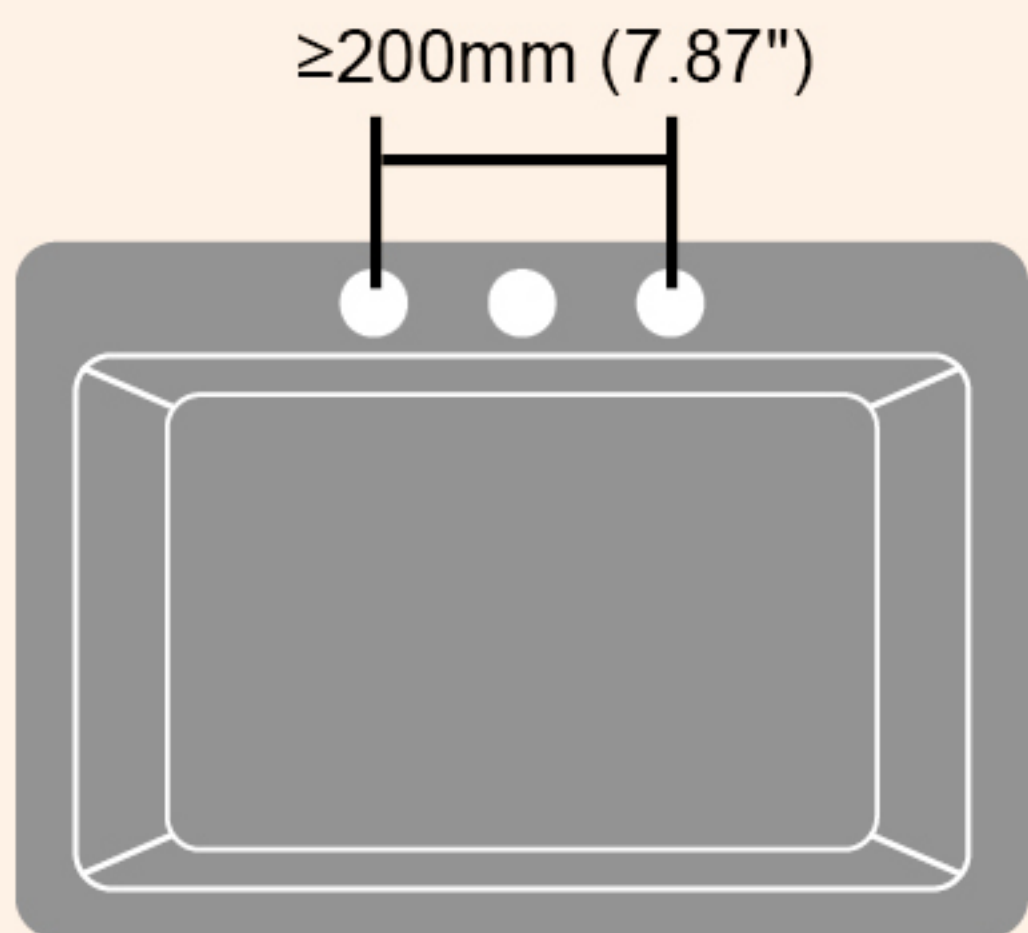


# Product Size Unit:mm (inch)

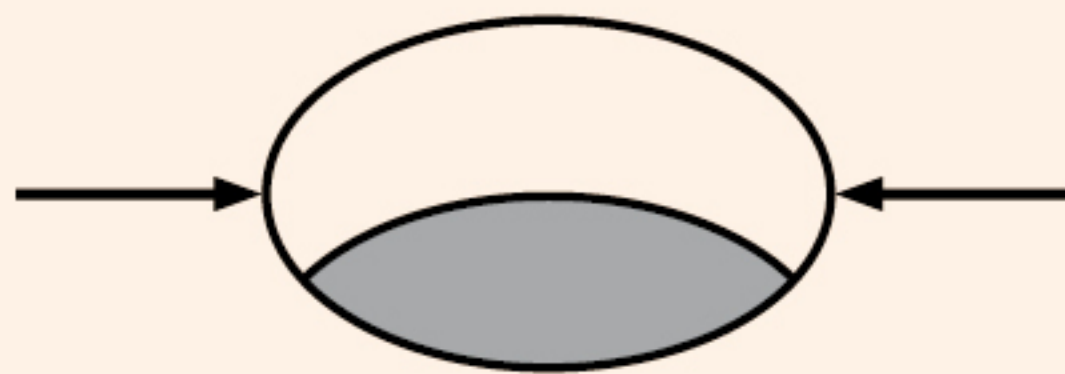


Will this faucet fit my basin?



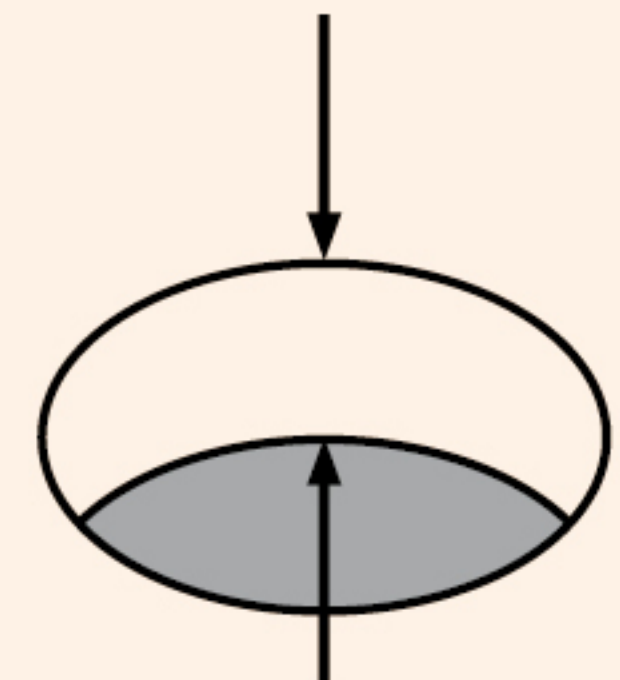
Three Hole 

Hole diameter



28mm / 1.1"(Min) - 35mm / 1.38"(Max)

Max table thickness



40mm (1.57")