

LRIN6323YE

6.3 cu. ft. Induction Single Smart Range with Air Fry, ProBake Convection®, EasyClean®, Self-Clean and Premium Handle

- 6.3 cu. ft Capacity
- ProBake Convection® with Air Fry
- Air Fry Basket Included
- EasyClean® and Self Clean
- WideView™ Window
- LG ThinQ® with ThinQ Care
- Storage Drawer
- ENERGY STAR® Certified

KEY FEATURES

AVAILABLE COLORS



SMART APPLIANCE

ThinQ Care

Proactive Smart Alerts to Keep Your Appliances Running Smoothly

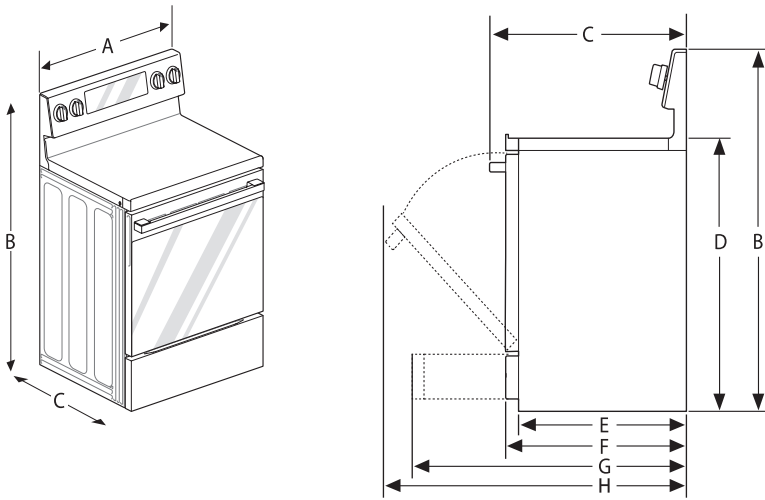
- Preventative Alerts help you stay a step ahead of potential issues to find proactive solutions before problems arise.
- Avoid preventable repairs and service calls with real-time diagnostics for a hassle-free experience.
- Integrated within LG's ThinQ app—a smart home hub for managing your smart devices and appliances.

PRODUCT FEATURES

SUMMARY		InstaView		Cooktop Finish	
Type	Electric Single Oven		No		Stainless Steel
Total Oven Capacity (cu. ft.)	6.3	DRAWER FEATURES		ACCESSORIES	
Available Colors	Stainless Steel,	Type	Storage	Standard Rack	Yes (2)
COOKTOP		Time Control	No	Air Fry Basket	Yes (1)
Type	Induction	CONTROL FEATURES		POWER/ RATINGS	
No of Radiant Elements	4	Cooktop Control Type	Knobs Control	Amp Rating at 208V	45.4 A
Element Size/ Wattage - Left Rear	1800(Boost)/ 1300(Normal) (6")	Oven Control Type	Keypad	Amp Rating at 240V	47.5 A
Element Size/ Wattage - Right Rear (Warm Zone)	-	Display	White LED	KW Rating at 208V	9.45KW
Element Size/ Wattage - Left Front	3200(Boost)/ 2100(Normal) (8")	Language	English	KW Rating at 240V	11.4W
Element Size/ Wattage - Right Front	3900(Boost)/ 2400(Normal) (11")	Clock	12hr or 24hr (Option)	Required Power Supply (amp)	40A
Element Size/ Wattage - Center Rear	1800(Boost)/ 1300 (Normal) (6")	Kitchen Timer	Yes	ENERGY	
Hot Surface LED Indicator	Yes	Timed Cook	Yes	ENERGY STAR® Certified	Yes
OVEN FEATURES		Temperature Unit of Measure	Fahrenheit / Celsius	DIMENSIONS/ CLEARANCES/ WEIGHT	
Broil Element (Watt)	Sheath (4.2Kw)	Cooking Complete Reminder Volume	Beeper (Hi, Lo, Off)	Shipping Weight	215.2 lbs
Oven Bake Element Wattage Convection (Watt)	Sheath 2500W	Certified Sabbath Mode	Yes	Product Weight	182.1 lbs
Convection Fan	Dual Speed (High/Low)	ThinQ® SMART FEATURES		Cabinet Width	30"
Convection Type	ProBake® Convection	ThinQ® (Wi-Fi Enabled)	Yes	Overall Depth - without handle	26 3/4"
Oven Mode	Bake, Convection Bake, Convection Roast, Broil High, Broil Low, Air Fry, Warm, EasyClean®, Self Clean	ThinQ Up	Yes	Overall Depth - with handle	29 1/8"
		Check & Control	Yes	Overall Height	46 1/2"
Oven Control Features	Keypad	Voice Control	Google Assistant & Amazon Alexa	Overall Width	30"
Convection Conversion	Yes	Proactive Customer Care	Yes	Oven Interior Dimensions (W x H x D)	24 27/32 x 17 7/8 x 22 1/16"
EasyClean®	Yes	SmartDiagnosis™	Yes	Height to Cooking Surface	36"
EasyClean® Time	10 mins	APPEARANCE		Drawer Dimensions (W x H x D)	22 3/8 x 4 x 14 11/16"
GoCook Smart Oven Light	1 Light	All Available Color	Stainless Steel	Carton Dimensions (W x H x D)	32 1/2 x 51 x 30 1/2"
No. of Rack Positions	-	Knobs	NI-CR Plated (Weight)	LIMITED WARRANTY	
Door Lock	No	Knobs Material	PC+ABS	Parts & Labor	1 Year
Automatic Safety Shut Down	After 12 Hours	Handle	Aluminum	UPC CODE	
		Handle Material	Aluminum	LRIN6323YE	048231349642
		Handle Type	Bar Type		
		PrintProof™ Finish	No		
		Oven Door Feature	WideView™ Window		

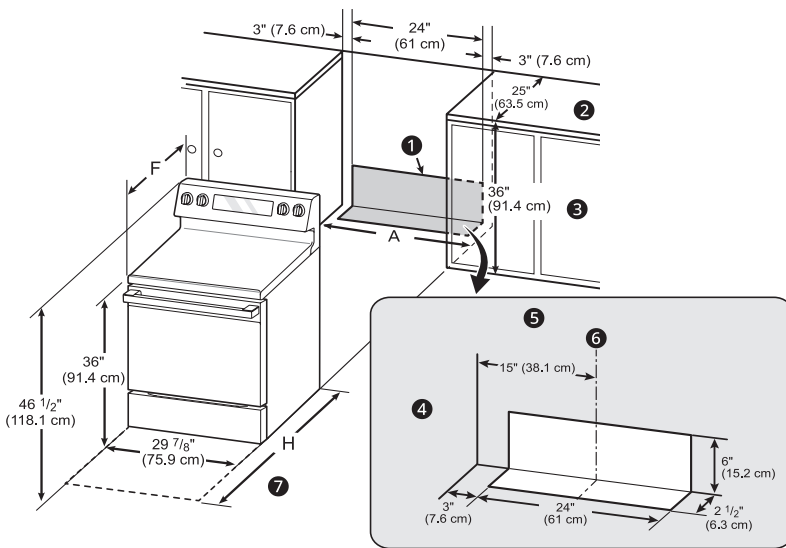
LRIN6323YE

DIMENSION / CLEARANCES



DIMENSIONS

A	Width	29 7/8" (759 mm)
B	Height	46 1/2" (1,181 mm)
C	Depth (Includes Door Handle)	29 1/8" (740mm)
D	Height (Excludes Controller)	36" (914 mm)
E	Depth (Includes only the product body that is loaded into the cabinet. Excludes door, drawer, and handles)	24 5/8" (627 mm)
F	Depth (Excludes Door Handle)	26 3/4" (680 mm)
G	Depth when drawer is fully opened	36 13/16" (935mm)
H	Depth when door is fully opened	49 13/16" (1,265 mm)



MINIMUM DIMENSIONS

1	Minimum distance from top of range to combustible surface overhead	30" (76.2 cm)
2	Minimum clearance to left/right wall	5" (12.7 cm)
3	Maximum depth for cabinets above countertops	13" (33.0 cm)
4	Front edge of the range side panel forward from cabinet	2 1/4" (6.3 cm)
5	To cabinets below cooktop and at the range back)	0"
6	Minimum opening in overhead cabinets	30" (76.2 cm)
7	Minimum distance from countertop to overhead cabinets at side	15" (38.1 cm)
8	Height of countertop	36" (91.4 cm)

NOTE

- 1 30" (76.2 cm) minimum clearance between the top of the cooking surface and the bottom of an unprotected wood or metal cabinet; or 24" (60.9 cm) minimum when bottom of wood or metal cabinet is protected by not less than 1/4" (0.64 cm) flame retardant millboard covered with not less than no. 28MSG sheet steel, 0.015" (0.381 mm) stainless steel, 0.024" (0.610 mm) aluminum or 0.020" (0.508 mm) copper.
- 7 15" (38.1 cm) minimum between countertop and adjacent cabinet bottom.
- Important - Save for the use of the local electrical inspector.
- For installation in Canada, a free-standing range is not to be installed closer than 15/32" (12 mm) from any adjacent surface.

