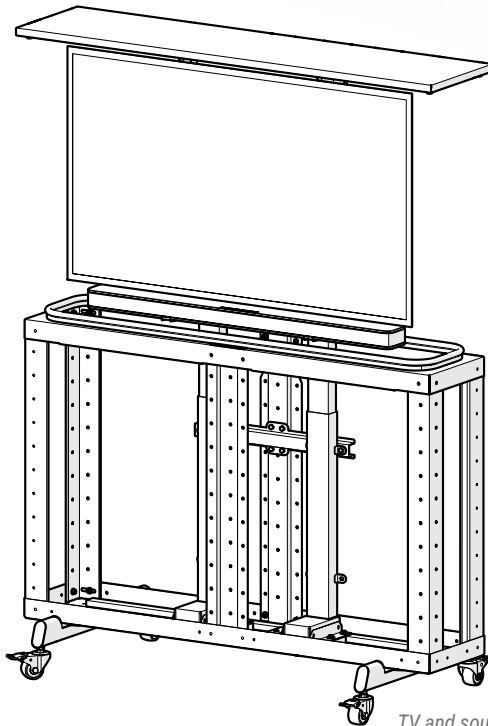




STORM SHELL LIFT

TV Lift Cabinet Kit | 55"

Assembly & installation instructions



TV and soundbar not included.

SS-55-LC | A-55-LC

Compatible with 55" TVs

V1.92

Table of contents:

Safety guidelines.....	3
Getting started	4
Supplied parts & hardware	7
Assembly & installation	15
Operations & controls	48
Troubleshooting.....	50



Stay Updated

This is our first edition manual. Scan the QR code to access the latest version, helpful how-tos, and any updates we release for your Storm Shell.

A large red octagonal sign with a white border. The sign contains the following text:

STOP!
WE CAN HELP.

Before returning, please contact us. Missing parts or setup issues can often be solved quickly.

Email cs@stormshelltv.com

The Storm Shell logo, a stylized white 'S' inside a white circle, is positioned at the bottom center of the sign.

Safety guidelines

Please read and understand this entire manual before attempting to assemble or operate the product. If the directions are not followed personal injury or property damage may occur.

Keep these installation instructions in an easily accessible location for future reference.

CAUTION

- The maximum TV load capacity—including the soundbar—is 100 lbs. Do not exceed this limit. Overloading the lift may result in motor malfunction or serious injury.
- The maximum cabinet lifting load capacity depends on the model:
 - SS-55-LM70/A-55-LM70 - 124 lbs. (56 kg)
 - SS-55-LM130/A-55-LM130 - 250 lbs. (113 kg)This load includes the TV, soundbar, counter-top, and any other accessories added to the moving structure.
- The finished cabinet should have an access opening in the front or back that is large enough to facilitate service and providing access to the wired remote.
- DO NOT install the cabinet near a heater, fireplace, air conditioning unit, or any other heat-producing source. Failure to follow this instruction may cause damage to the TV display and could increase the risk of fire.
- Proper assembly, as outlined in the installation instructions, must be performed by yourself or a qualified service technician. Failure to comply may result in serious personal injury.
- It is advised that two people perform the assembly and installation. Dropping or mishandling the display, soundbar, or cabinet frame may result in injury and/or damage.
- If you do not understand these installation instructions, please consult a professional installation specialist.
- If the caster kit is not used, the cabinet must be anchored to the floor or wall to prevent tipping and ensure safe operation.
- Motor lifting columns must be mounted to a wall or the floor when used independently.

- This kit contains small parts which are a choking hazard if swallowed.
- If the cabinet is not equipped with casters, it must be securely fixed to the wall or floor to prevent tipping or movement.
- Before moving, lower the lifting mechanism to its lowest position.
- After the cabinet is positioned in the desired location, lock all caster wheels to prevent unintended rolling.
- This product is designed for standard 120-volt outlets and should only be connected to a properly grounded, 3-prong polarized outlet.



WARNING:

This product has moving parts. Keep hands, fingers, and all other body parts away from moving parts at all times. Do not leave product unattended around children or individuals with reduced capabilities. Unplug power or use child lock when unsupervised.

Getting started

Important Notice – Frame kit & motor(s) only

This product is a lift cabinet kit designed to house a TV and sound bar. It includes the internal structural components necessary for the lift installation. This kit will arrive in multiple boxes:

- Box 1: Frame
- Box 2: Motor(s)
- Box 3 (optional): Casters (only included if purchased separately)

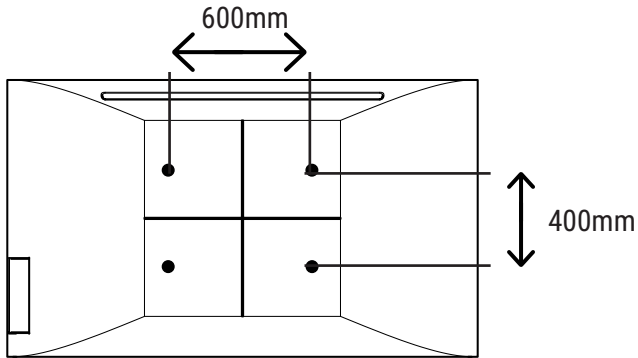
Finishing materials and instructions for the outer cabinet are not included.

If you are installing this unit outdoors, be sure to use weatherproof materials to protect your build from the elements.

When in doubt, we strongly recommend consulting a licensed contractor or building professional to ensure a safe and durable installation.

VESA PATTERN

Width	600mm (23.62 in) max
Height	400mm (15.75 in) max
Compatible VESA patterns	Will fit 100 mm, 200mm, 300mm, 400mm, and 600mm VESA patterns

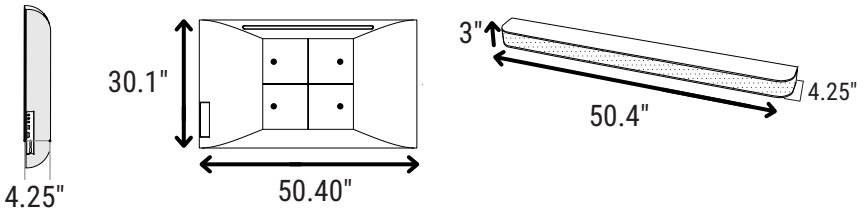


TV & SOUNDBAR COMPATIBILITY

MAX TV dimensions (including frame bezel)	MAX soundbar dimensions
---	-------------------------

50.40"L x 30.10"H x 4.25"D

50.40"L x 3.00"H x 4.25"D



WEIGHT CAPACITY

- Maximum TV weight (including accessories): 100 LBS max
- The maximum cabinet lifting load capacity depends on the model:
 - SS-55-LM70/A-55-LM70 - 124 lbs. (56 kg)
 - SS-55-LM130/A-55-LM130 - 250 lbs. (113 kg)

This load includes the TV, soundbar, counter-top, and any other accessories added to the moving structure.

ASSEMBLY TOOLS (NOT INCLUDED)

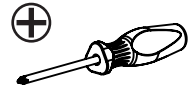
All installations



Measuring tape



Socket wrench



Phillips screwdriver



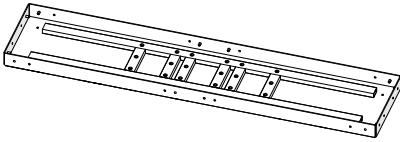
TUTORIALS

Scan the QR code to access helpful how-tos and any updates we release for your Storm Shell Lift Cabinet.

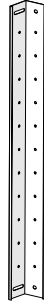
Parts & hardware

TV and Soundbar not included.

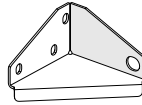
Note: If you are missing any parts, let us know and we will ship them to you.



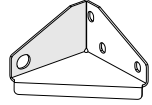
Bottom frame
Qty.1



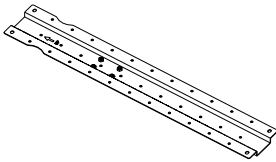
Corner post
Qty. 4



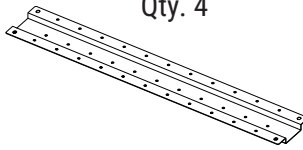
L top gusset
Qty. 1



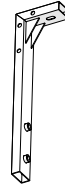
R top gusset
Qty. 1



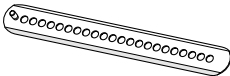
Rear center post
Qty.1



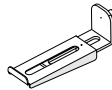
Front center post
Qty.1



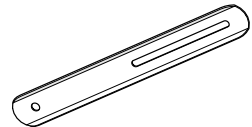
Top support
Qty.2



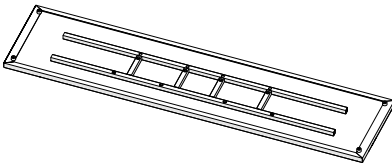
Upper SB bracket
Qty.2



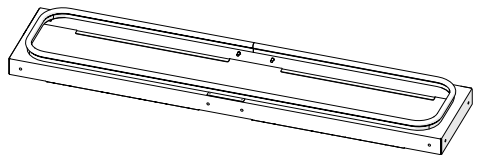
SB bracket
support Qty.2



Lower SB bracket
Qty.2



Top cover
Qty.1

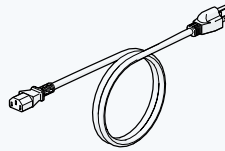


Top frame
Qty. 1

SINGLE MOTOR KIT | SS-55-LM70/A-55-LM70



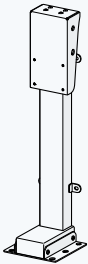
Single motor support bracket
Qty. 1



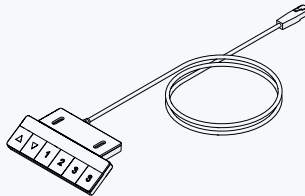
Power cord
Qty.1



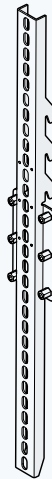
Remote
Qty.1



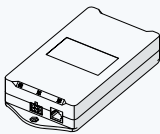
Lift motor
Qty.1



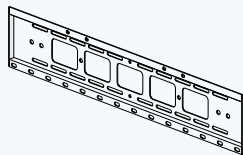
Wired remote
Qty.1



Vertical bracket
Qty. 2

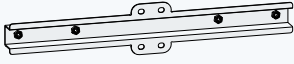


Controller
Qty.1

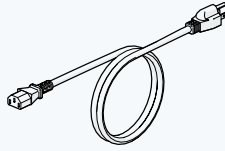


TV bracket
Qty.1

DUAL MOTOR KIT | SS-55-LM130/A-55-LM130



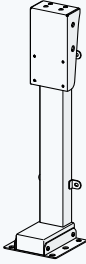
Dual motor support
bracket
Qty. 1



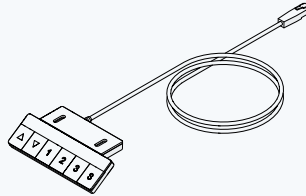
Power cord
Qty. 1



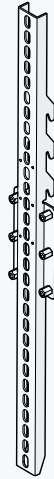
Remote
Qty. 1



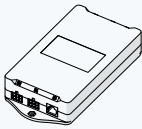
Lift motor
Qty. 2



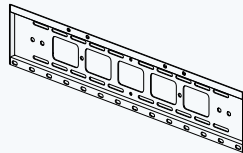
Wired remote
Qty. 1



Vertical bracket
Qty. 2



Controller
Qty. 1



TV bracket
Qty. 1

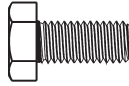
PACK #1 CABINET HARDWARE

C1



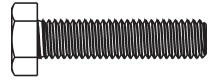
D8 washer
Qty. 50

C2



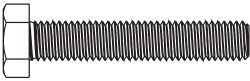
M8 X 18 mm
Qty. 14

C3



M8 X 35 mm
Qty. 2

C4



M8 X 45 mm
Qty. 4

C5



M8 X 55 mm
Qty. 6

C6



M8 nut
Qty. 34

C7

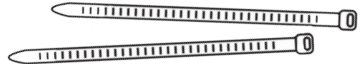


D8 spring lock washer
Qty. 12

C8



M4x12
Qty. 2



Cable tie
Qty. 4

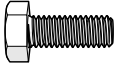


WARNING:

This kit contains small parts which can act as a choking hazard if swallowed.

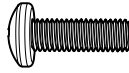
PACK #2 MOTOR MOUNTING HARDWARE

M1



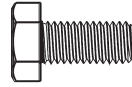
M6x12mm
Qty. 4

M2



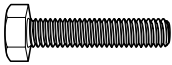
M6x20mm
Qty. 4

M3



M8x18mm
Single motor: Qty. 6
Dual motor: Qty. 8

M4



M4x20 (hex head
screw)
Qty. 1

M5



D4 washer
Qty. 2

M6



M4 hex nut
Qty. 1



4mm L-key wrench
Qty. 1

PACK #3 TV MOUNTING BRACKET HARDWARE

V1



M4x12mm
Qty. 4

V2



M4x30mm
Qty. 4

V3



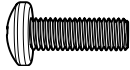
M6x12mm
Qty. 8

V4



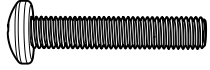
M6x30mm
Qty. 4

V5



M8x25mm
Qty. 4

V6



M8x45mm
Qty. 4

V7



D4 Washer
Qty. 4

V8



D6 Washer
Qty. 4

V9



5mm Spacer
Qty. 4

V10



10mm Spacer
Qty. 4

PACK #4 SOUNDBAR MOUNTING BRACKET HARDWARE

S1



M6 Wingnut
Qty. 4

S2



D6xD20xT1.5 Spacer
Qty. 4

S3

Soundbar screws
Qty. 2 each



M4X10mm



M4X16mm



M5X10mm



M5X16mm



M6X16mm



1/4-20 x 3/8"

S4



D4/D5 Washer
Qty. 2

S5



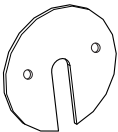
D6/ 1/4 Washer
Qty. 6

S6



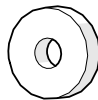
Keyhole Screw
Qty. 2

S7



Fender Washer
Qty. 2

S8



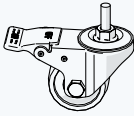
D10xD30xT8 Spacer
Qty. 2

S9

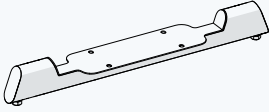


D10xD25xT6 Spacer
Qty. 2

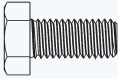
CASTOR ACCESSORY KIT (SOLD SEPARATELY)



Caster
Qty. 4



Caster leg
Qty. 2



M8x18mm hex
Qty. 8



D8 spring lock washer
Qty. 8

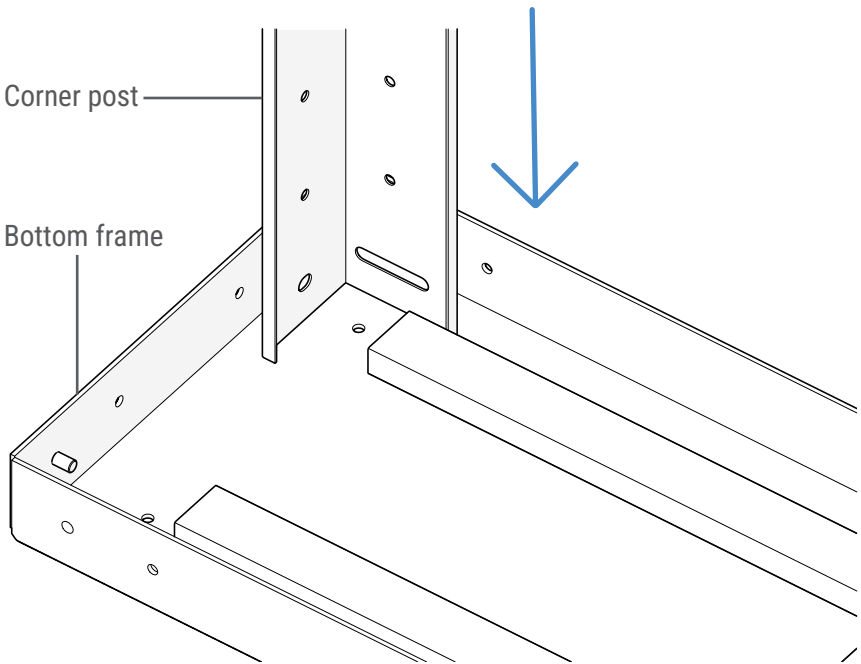
Assembly & installation

Follow each step as instructed to avoid any unwanted obstacles. Work in a spacious area near where the item will be used. Check your item list to confirm all parts and hardware are included before you begin the assembly process. If you need any assistance with your new item, please don't hesitate to call or email us. We're happy to guide you through the assembly process.

STEP 1: ASSEMBLE THE BASE

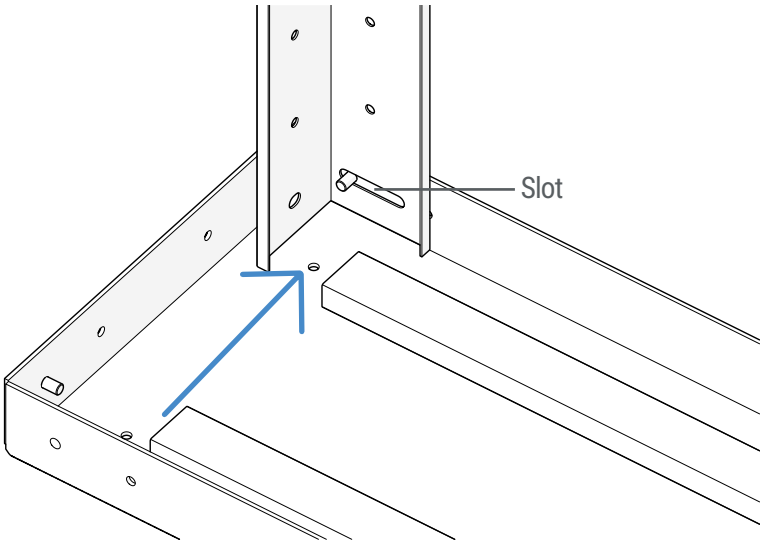
1-1 Attach corner posts

Start by placing a corner post into the bottom frame with a small gap from the side walls. The vertical orientation of the corner post doesn't matter—both ends of the corner post have identical slots and holes.



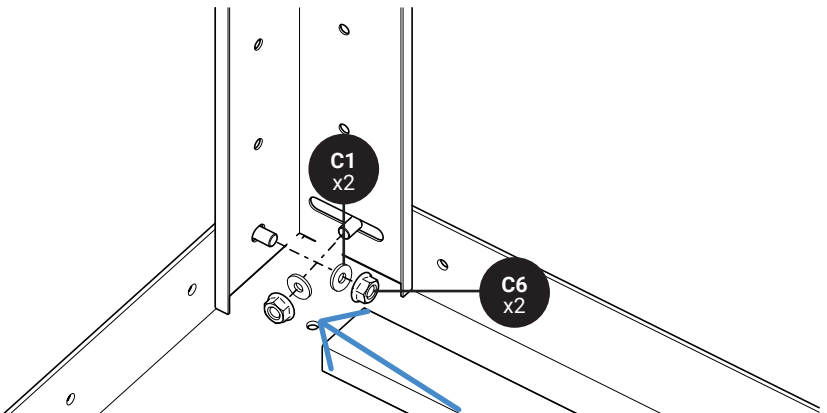
Slide the post flush with the side

Push the slotted side of the post toward the base until it sits flush and the first threaded stud is visible. Then, slide the post into the corner until it's fully flush and the second threaded stud lines up with the hole.



Secure corner post

Install the nuts but do not fully tighten them yet – just thread them on loosely. You will tighten them securely later when instructed to do so. Repeat this process for the remaining three corner posts.

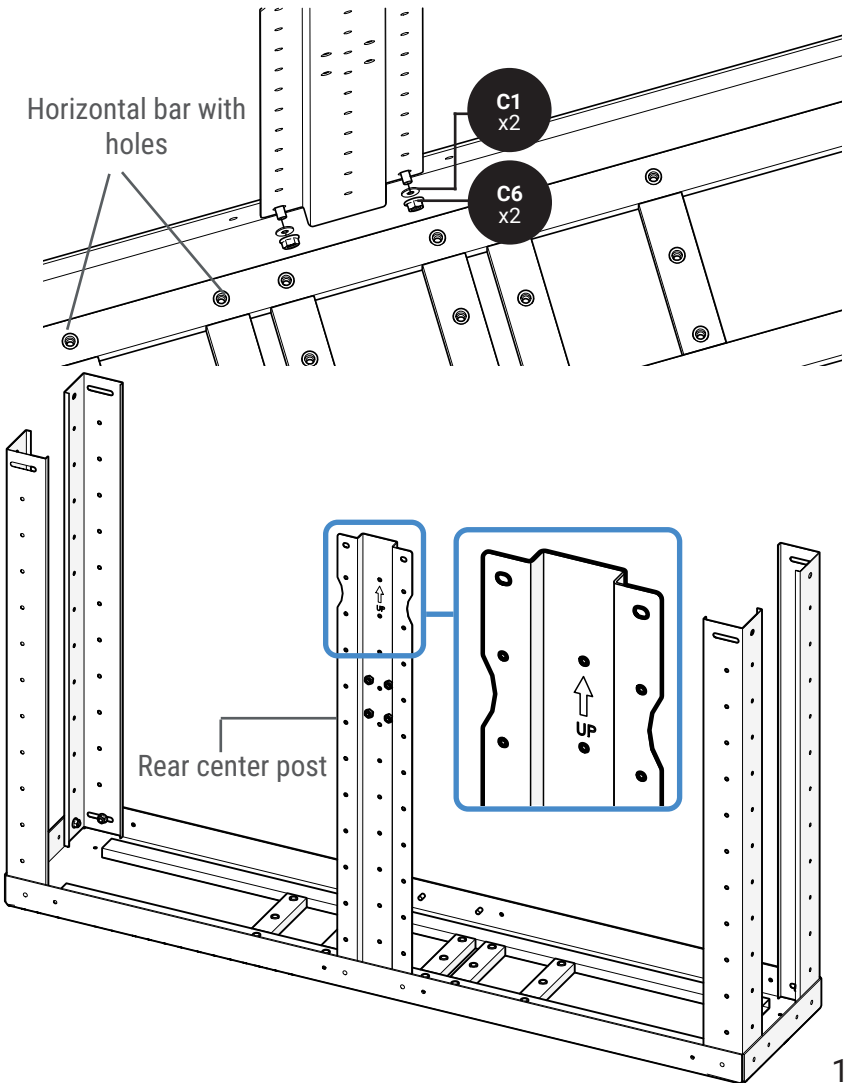


1-2 Attach the rear center post to the bottom frame, ensuring the UP indicator is facing outward and up, as shown.

Verify you are attaching the post to the correct side of the bottom frame – it must be the side with the horizontal support bar that has screw holes in it.

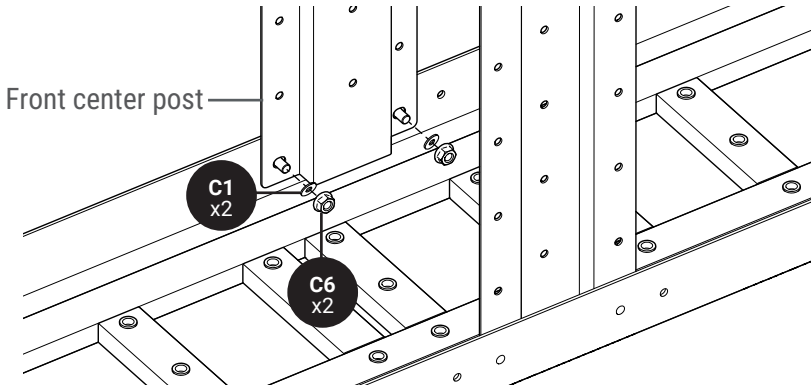
- Do not attach it to the opposite side, which has a similar horizontal bar but no screw holes.

Once aligned correctly, secure the connection by threading the nuts on loosely using a socket wrench.



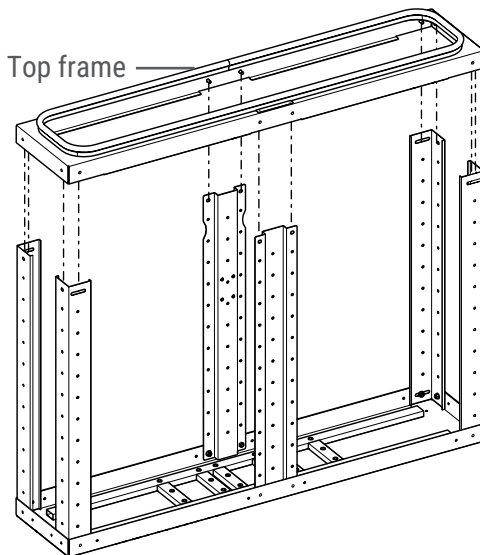
1-3 Attach front center post

Attach the front center post to the inside of the bottom frame using the hardware shown. Install the nuts but do not fully tighten them yet – just thread them on loosely. You will tighten them securely later when instructed to do so.



1-4 Attach top frame

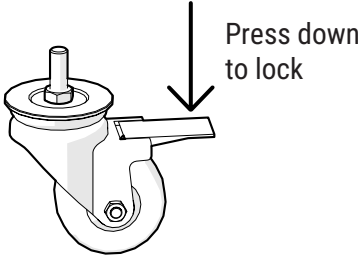
Slide the top frame down over the outside of all the posts. The threaded studs on the top frame should align and pass through the corresponding slots and holes in each post for a secure fit. Align the slots and holes of the corner posts using the same method described in Step 1-1. Install the nuts on all posts and tighten the top and bottom hardware on all of the posts.



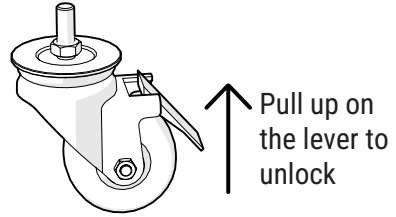
STEP 2: INSTALL CASTERS (OPTIONAL- SOLD SEPARATELY)

2-1 Lock the casters

Press down on the end of the lock lever on all the wheels to lock them. This will help keep the cabinet in place while you assemble it.



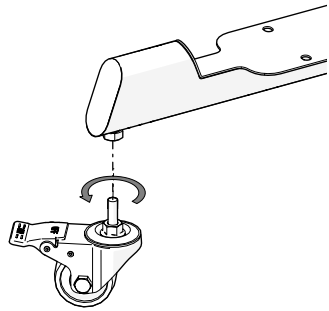
Unlocked



Locked

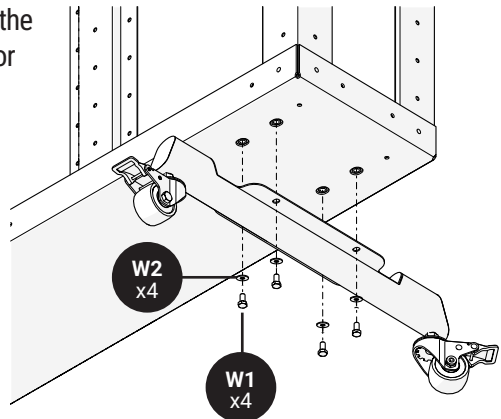
2-2 Install the casters

Thread the caster into the base leg until tight. Repeat for all casters.



2-3 Install caster legs

Attach the caster leg to the bottom frame. Repeat for the second leg.



STEP 3: INSTALL THE MOTOR

3-1 Determine if you have the single or dual mount motor kit:

A: Single motor kit – see step A1 (page 20)

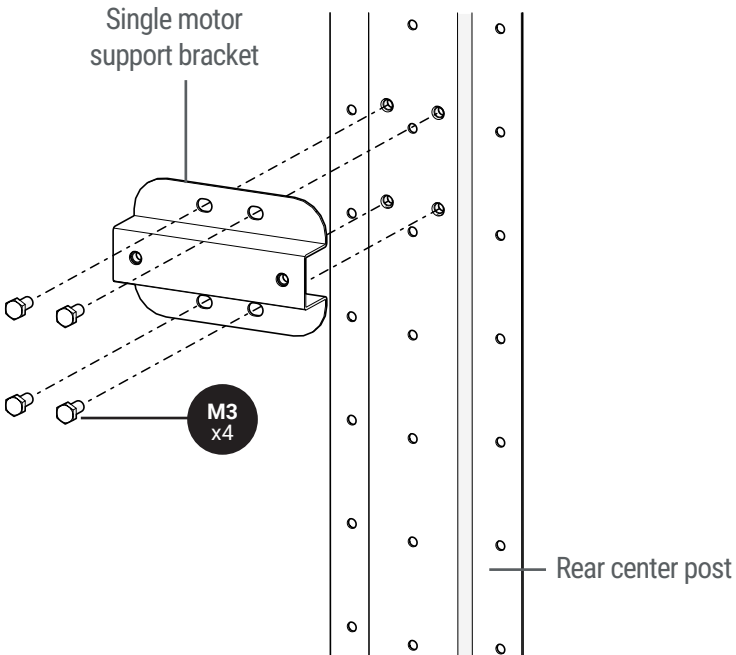
B: Dual motor kit – see step B1 (page 28)

SINGLE MOTOR INSTALLATION

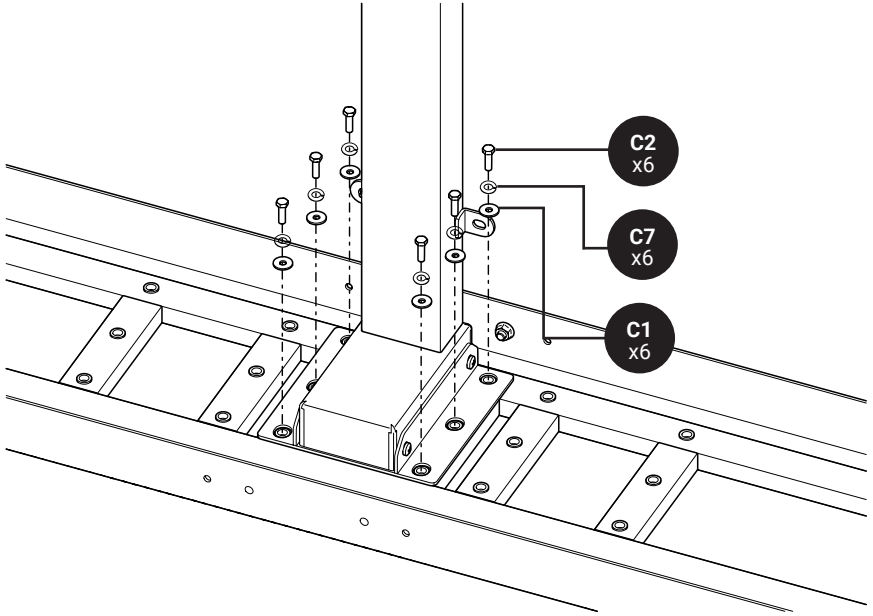
A-1 Attach the single motor support bracket

Secure the single motor support bracket to the rear center post, ensuring it is aligned and positioned as shown in the diagram.

Do not fully tighten yet – leave the screws finger-tight to allow for slight movement during final alignment. You'll be instructed when to tighten them later.

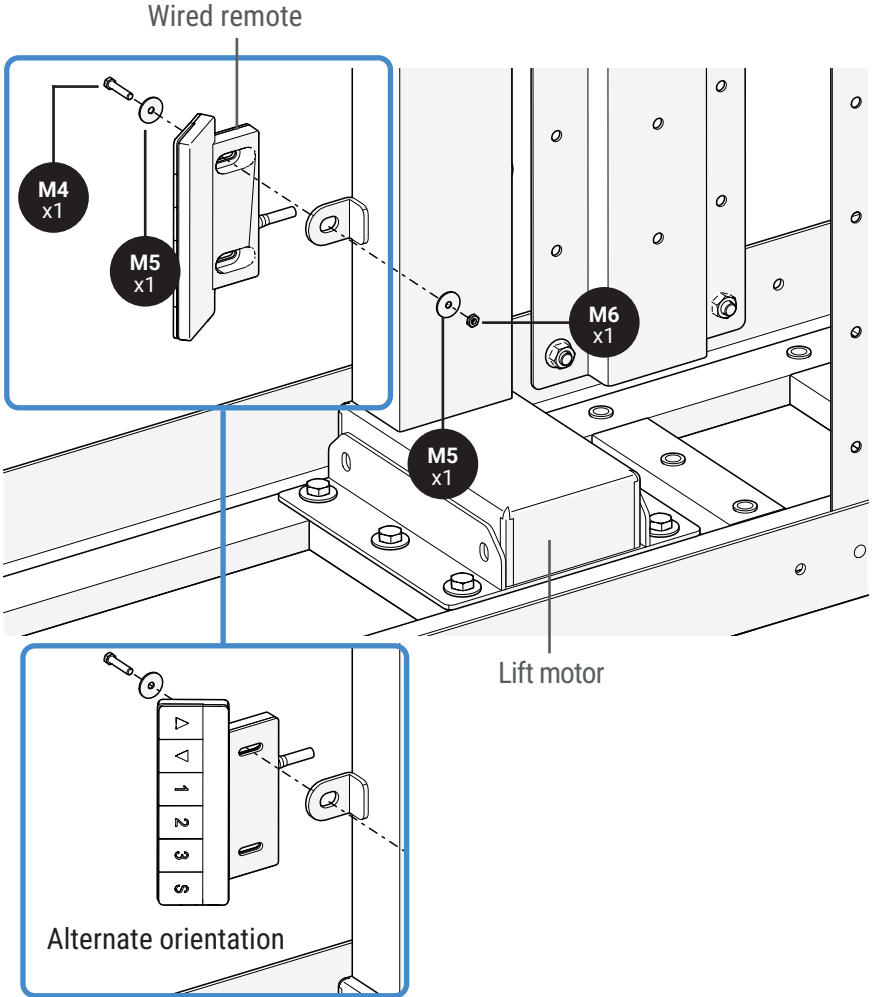


A-2 Attach the lift motor to the bottom frame



A-3 Mount the wired remote

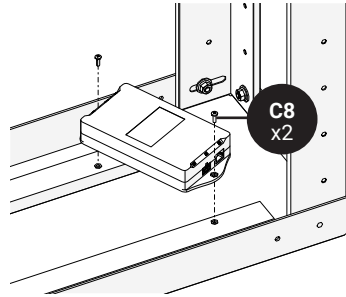
Attach the wired remote to the motor leg. Orient it in a direction that will remain accessible later—such as facing the front or back—depending on where your access panel will be. This ensures you can still operate the unit if the wireless remote is lost or unavailable.



A-4

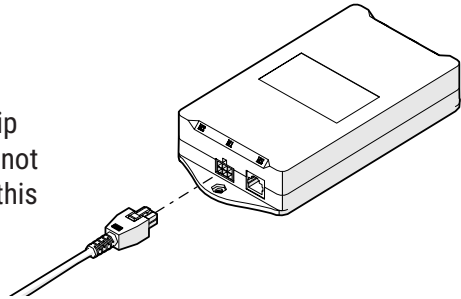
Mount the controller

Start by mounting the controller box to the frame.

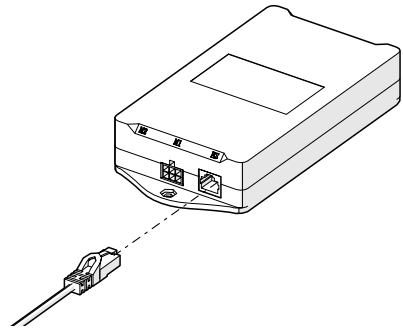


Connect power

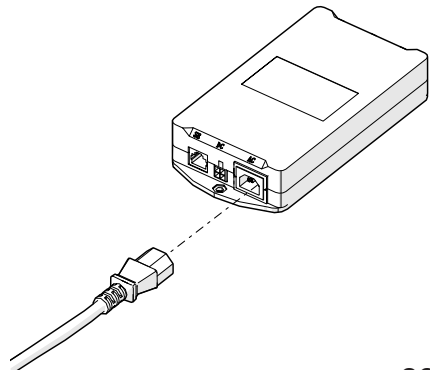
Plug the motor cable into the M1 slot on the controller. Ensure the clip is properly oriented—do not force the connector, as this may cause damage.



Plug the wired remote into the HS slot on the controller. Ensure the clip is properly aligned—do not force the connector, as this can cause damage.



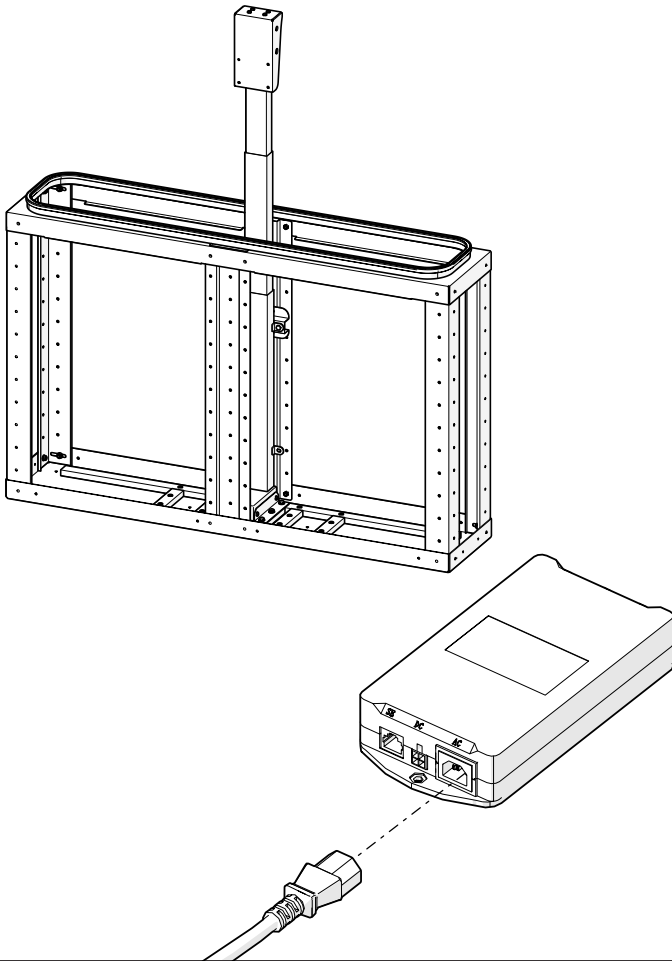
Plug the power cord into the controller, then temporarily plug it into a wall outlet to power the system for setup.



A-5

Raise up lift motor and THEN DISCONNECT POWER

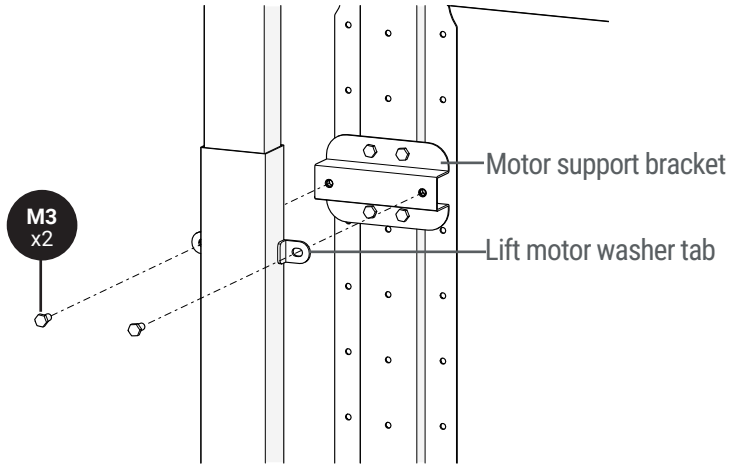
Raising the motor will make it easier to attach the parts in the following steps.



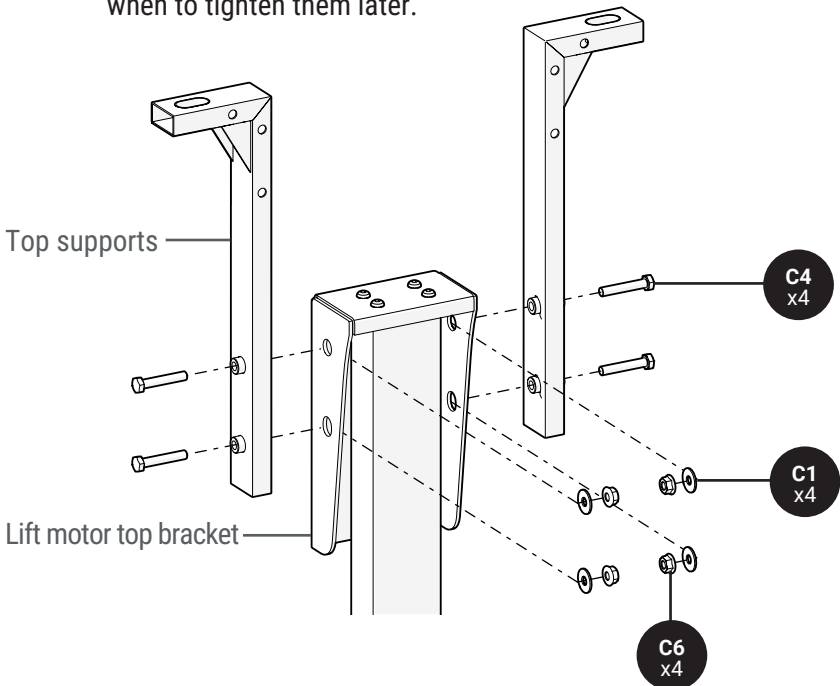
DISCONNECT POWER

Before continuing with assembly, ensure the unit is unplugged. The motors should be in the lifted position to attach the cabinet top, but all power must be disconnected before proceeding.

A-6 Attach the lift motor top bracket to the motor support bracket
Don't tighten screws all the way yet!

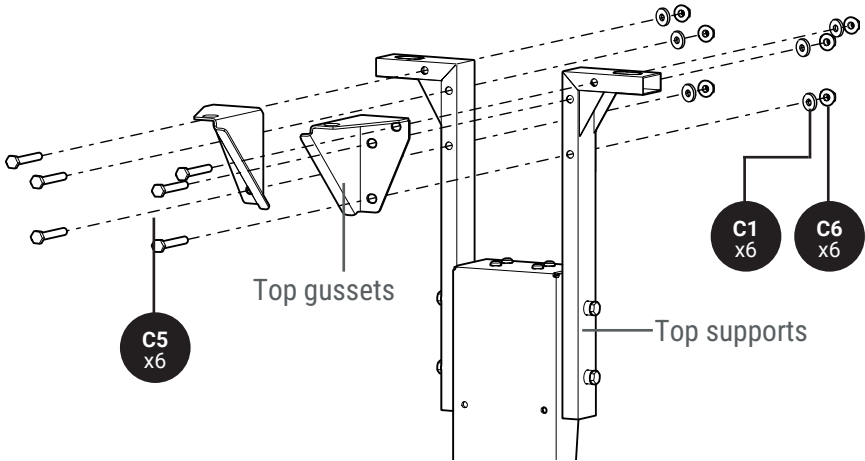


A-7 Attach the top supports
Do not fully tighten yet – leave the screws finger-tight to allow for slight movement during final alignment. You'll be instructed when to tighten them later.



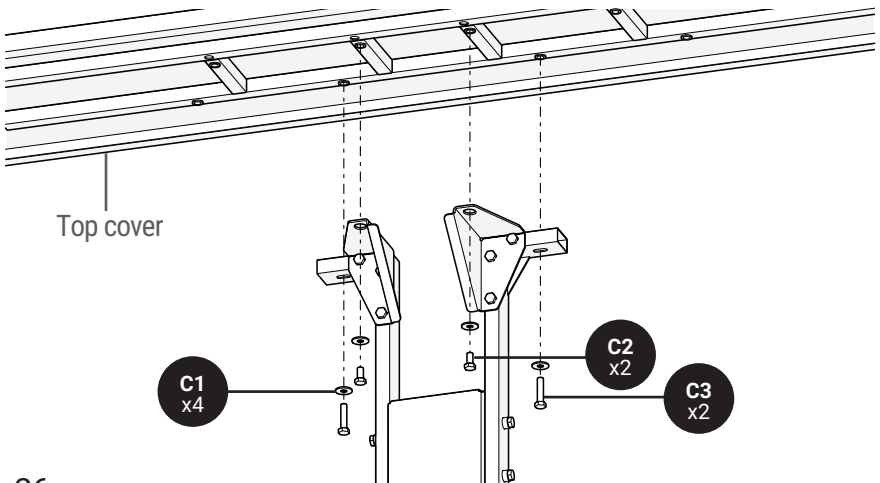
A-8 Attach the top gussets

Do not fully tighten yet – leave the screws finger-tight to allow for slight movement during final alignment. You'll be instructed when to tighten them later.

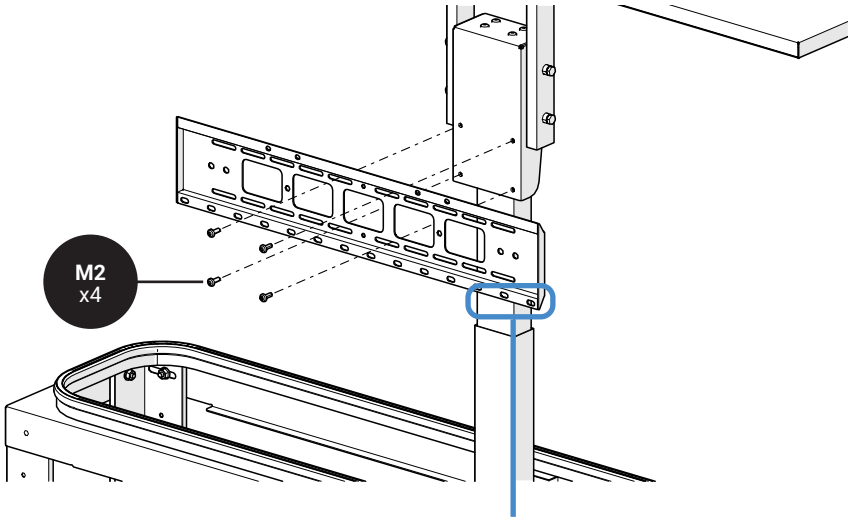


A-9 Attach the top cover

Place the top cover so it is centered over the top gussets and supports. Secure it using the provided screws and washers. Ensure the top cover is parallel with the cabinet before tightening. Tighten these screws first, THEN go back and fully tighten the screws from the previous steps.



A-10 Attach TV bracket to the lift cabinet
Ensure the TV bracket is centered and level.

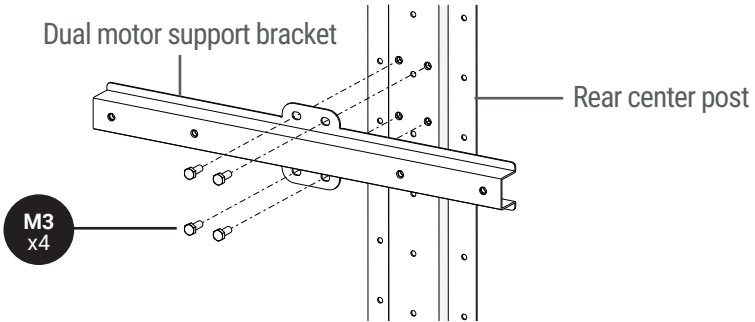


Note: Install the bracket with the holes facing downward.

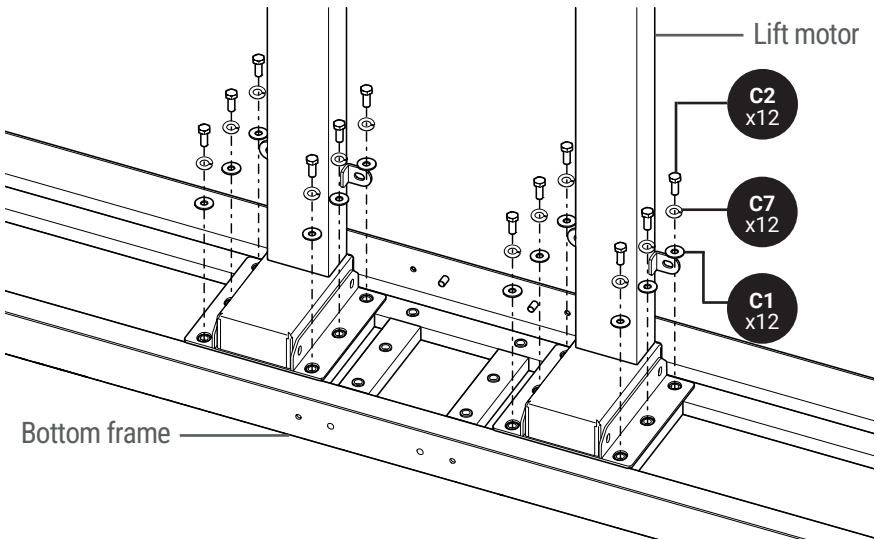
DUAL MOTOR INSTALLATION

B-1 Attach the dual motor support bracket

Secure the dual motor support bracket to the rear center leg, ensuring it is aligned and positioned as shown in the diagram. Do not fully tighten yet – leave the screws finger-tight to allow for slight movement during final alignment. You'll be instructed when to tighten them later.

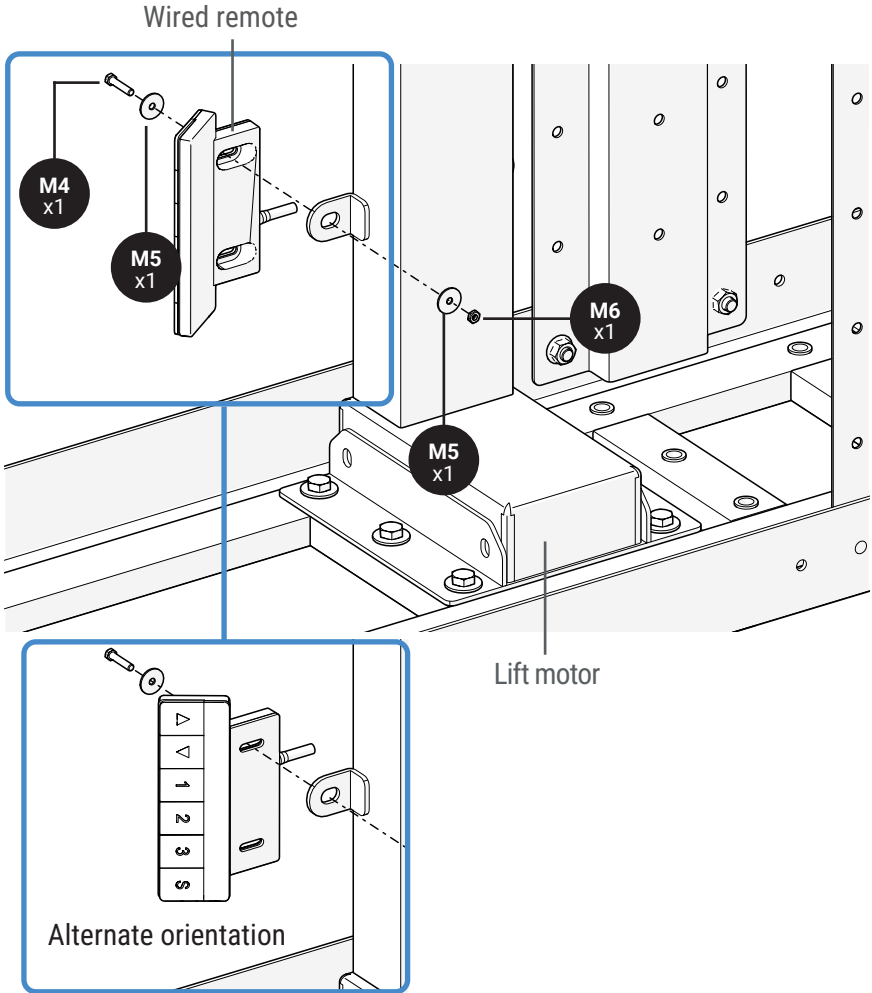


B-2 Attach the lift motors to the bottom frame

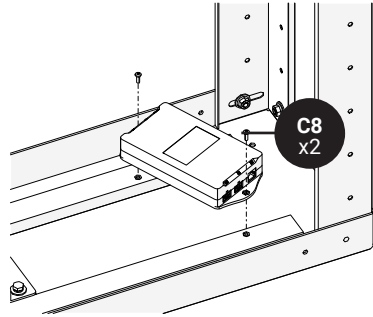


B-3 Mount the wired remote

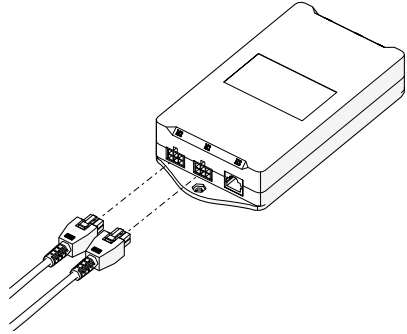
Attach the wired remote to the motor leg. Orient the wired remote in a direction that will remain accessible later—such as facing the front or back—depending on where your access panel will be. This ensures you can still operate the unit if the wireless remote is lost or unavailable.



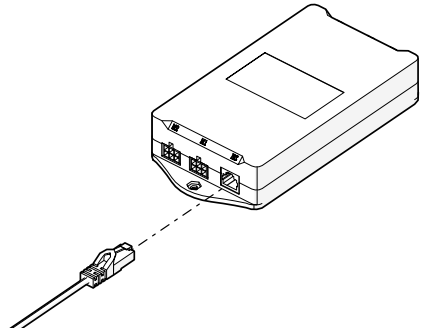
B-4 Mount the controller
Start by mounting the controller box to the frame.



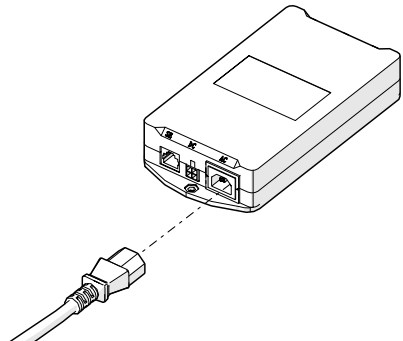
Connect power
Plug the motor cables into the M1 and M2 slots on the controller. Ensure the clips are properly oriented—do not force the connector, as this may cause damage.



Plug the wired remote into the HS slot on the controller. Ensure the clip is properly aligned—do not force the connector, as this can cause damage.

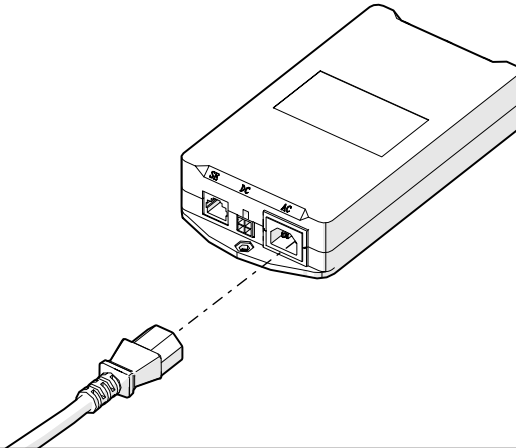
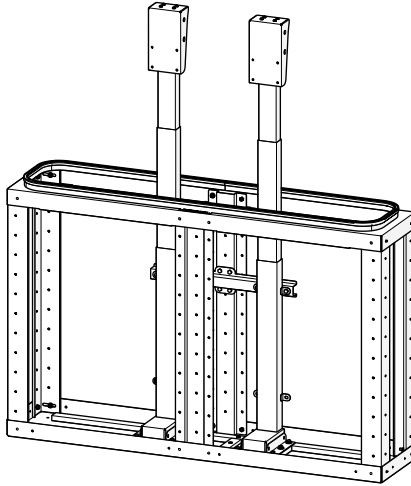


Plug the power cord into the controller, then temporarily plug it into a wall outlet to power the system for setup.



B-5 Raise up lift motor and THEN DISCONNECT POWER

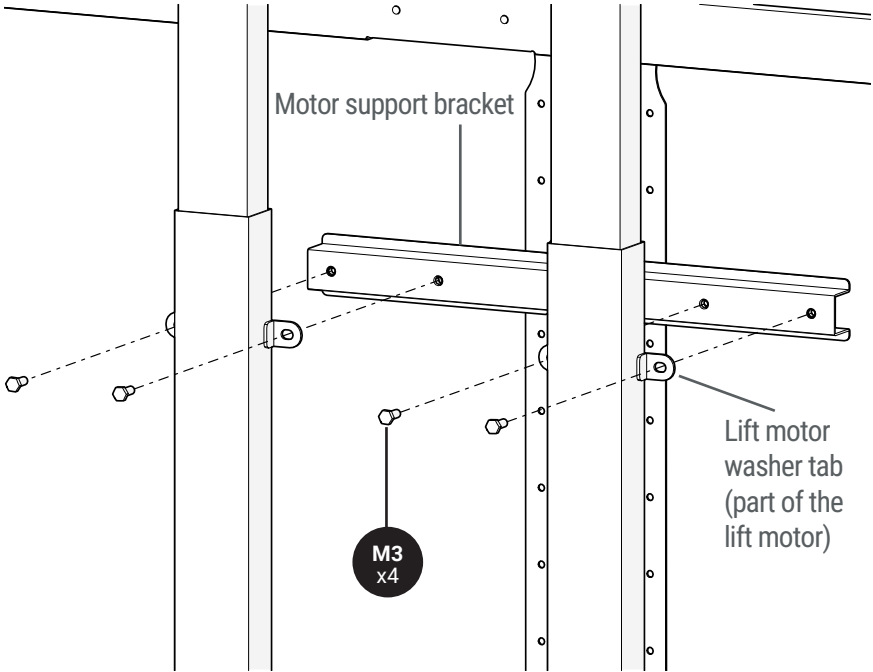
Raising the motor will make it easier to attach the parts in the following steps.



DISCONNECT POWER

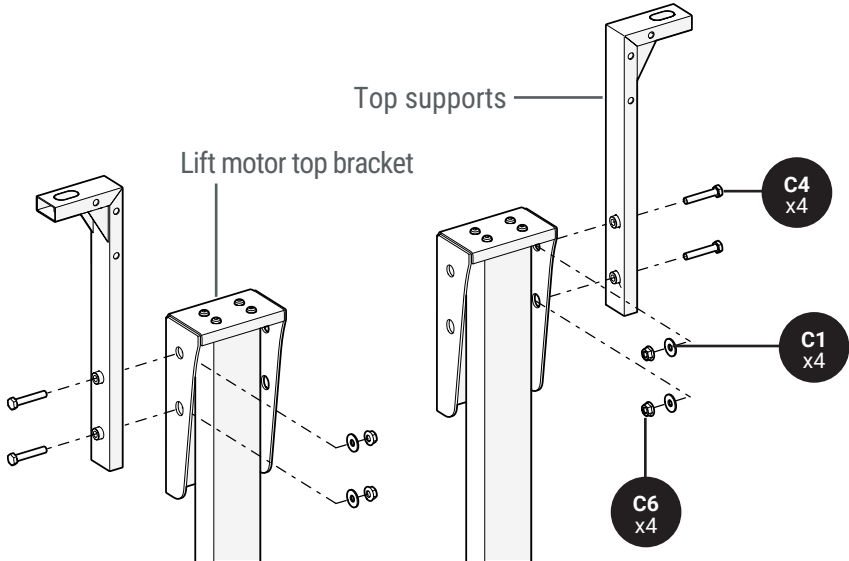
Before continuing with assembly, confirm the unit is unplugged. The motors should be in the lifted position to attach the cabinet top, but all power must be disconnected before proceeding.

B-6 Attach the lift motor top brackets to the motor support bracket
Don't tighten screws all the way yet!



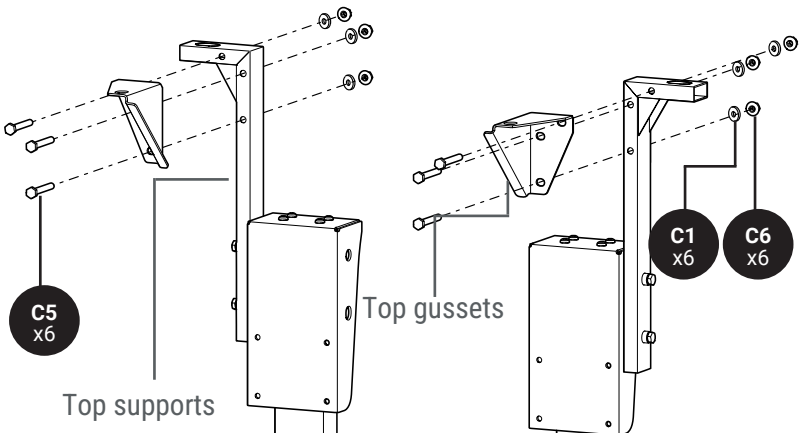
B-7 Attach the top supports

They should be positioned on the outer side of each lift motor as shown here. Do not fully tighten yet – leave the screws finger-tight to allow for slight movement during final alignment. You'll be instructed when to tighten them later.



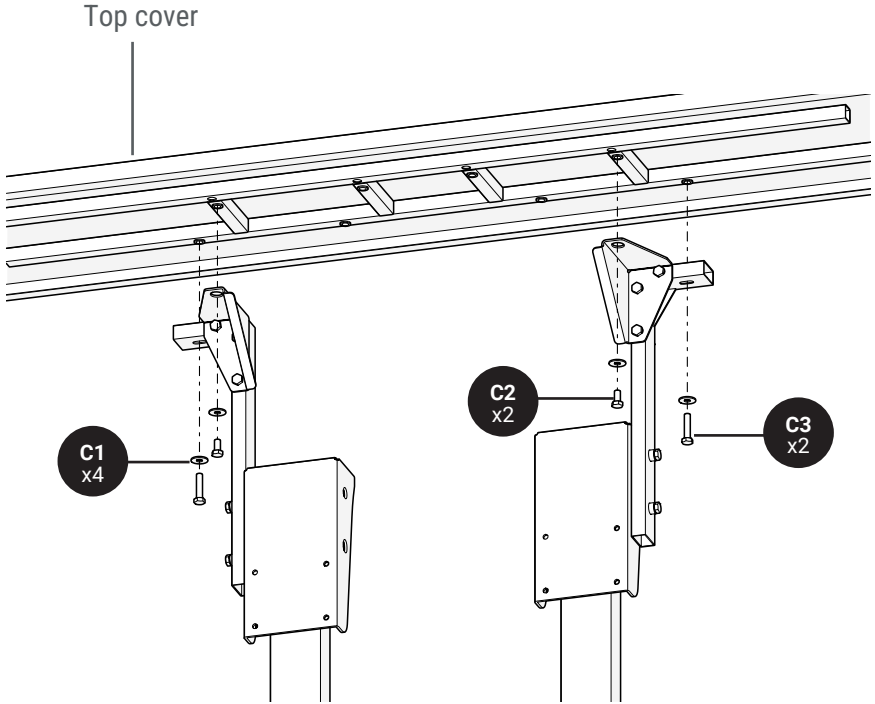
B-8 Attach the top gussets

Do not fully tighten yet – leave the screws finger-tight to allow for slight movement during final alignment. You'll be instructed when to tighten them later.

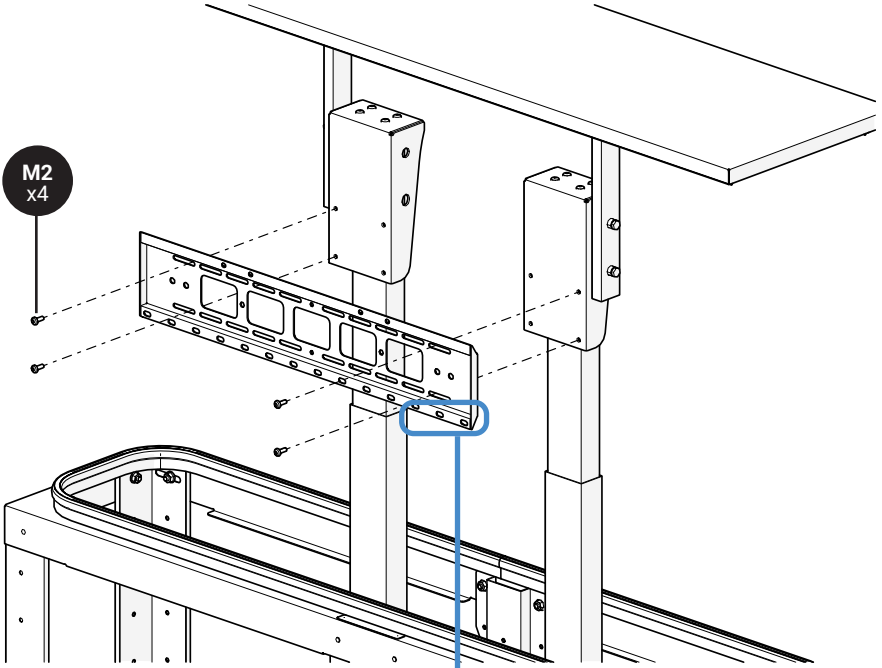


B-9 Attach the top cover

Place the top cover so it is centered over the top gussets and supports. Secure it using the provided screws and washers. Ensure the top cover is parallel with the cabinet before tightening. Tighten these screws first, THEN go back and fully tighten the screws from the previous steps.



B-10 Attach TV bracket to the lift cabinet
Make sure the TV bracket is centered and level.



Note: Install the bracket with the holes facing downward.

STEP 4: INSTALL BRACKETS ON YOUR SOUNDBAR & TV

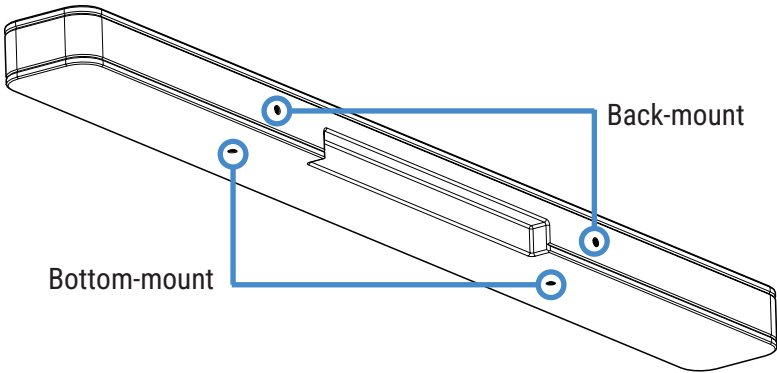
4-1 Determine the soundbar mounting method

Examining the mounting holes on the back or bottom of your soundbar. Follow the appropriate installation instructions based on the type of holes:

A: Back-mount holes with threaded inserts – see step 4-2

B: Back-mount holes with keyhole slots – see step 4-2

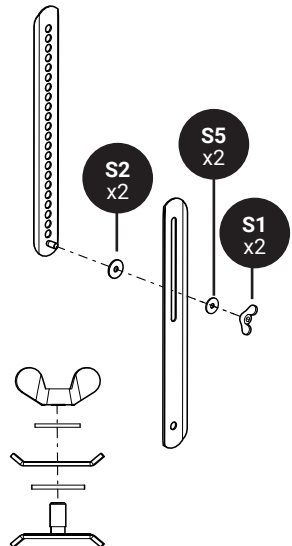
C: Bottom-mount holes – see step 4-3 (page 39)



4-2 If using back-mount holes (Options A or B):

Connect each lower SB bracket to each upper SB bracket using an S2 spacer and an S1 wingnut. Ensure the flat sides of the brackets are facing toward each other, as shown here.

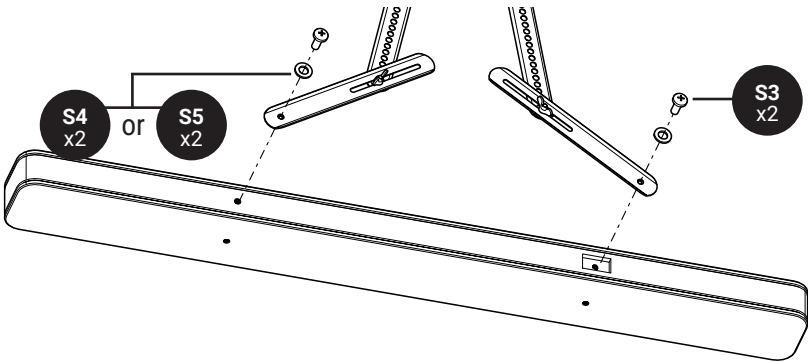
For threaded inserts, refer to page 37.
For a keyhole insert, refer to page 38.



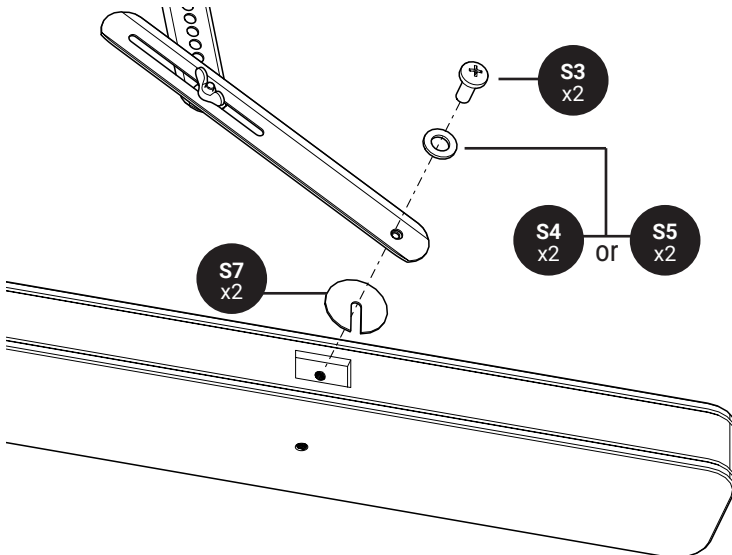
- **Option 1: Threaded inserts**

Choose the screws that fit your soundbar's threaded inserts. M4, M5, M6 and 1/4-20 screws are provided in various lengths. If the proper screws are not included they may be included with your sound bar or may be purchased at your local hardware store.

Attach the lower SB bracket to the soundbar using the selected screws and the corresponding washers.

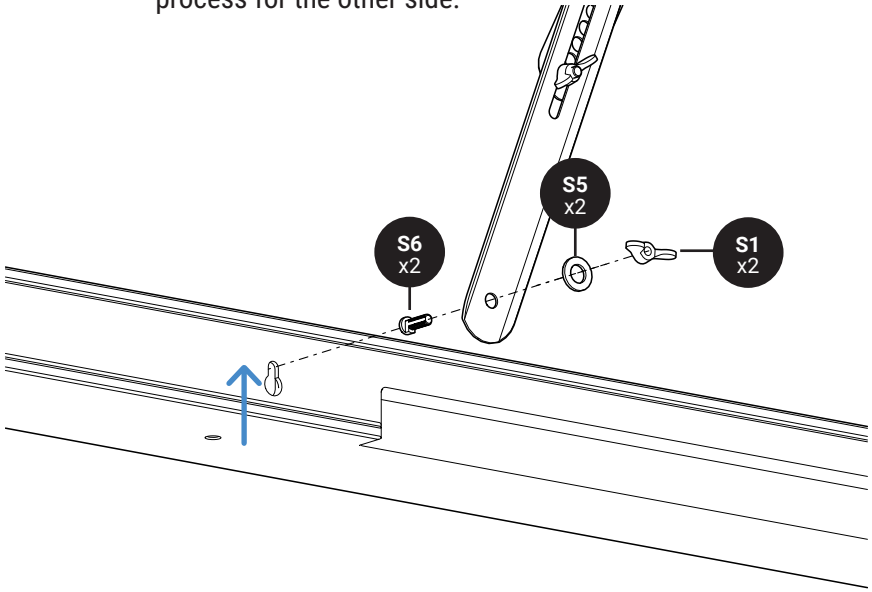


If the lower SB bracket does not sit flush against the soundbar, insert a fender washer between the screw and the bracket to ensure a secure fit.

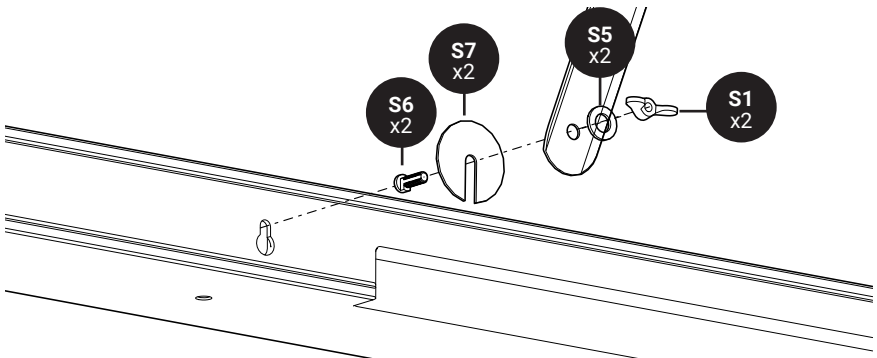


- **Option 2: Keyhole**

Slide the keyhole screw head into the keyhole on the soundbar by first inserting it into the larger part of the hole. Align the keyhole screw so that it slides up into the narrower section of the keyhole. Attach the lower SB bracket and secure it with the wing nut. Repeat this process for the other side.



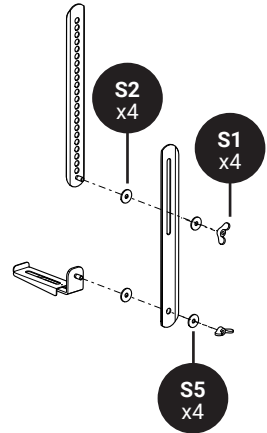
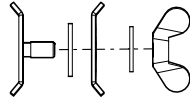
If the lower SB bracket does not sit flush against the soundbar, insert a fender washer between the screw and the bracket to ensure a secure fit.



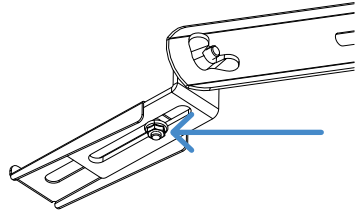
4-3

If using bottom-mount holes (Option C):

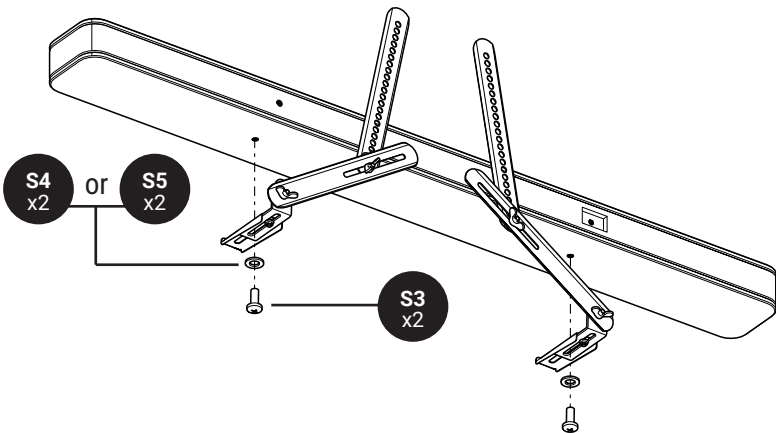
Connect each lower SB bracket to each upper SB bracket and SB bracket support using an S2 spacer and an S1 wingnut. Ensure the flat sides of the brackets are facing toward each other, as shown here.



Loosen the nut to adjust and expand the bracket support to fit your soundbar. Once it is correctly sized, tighten the nut to secure it in place.



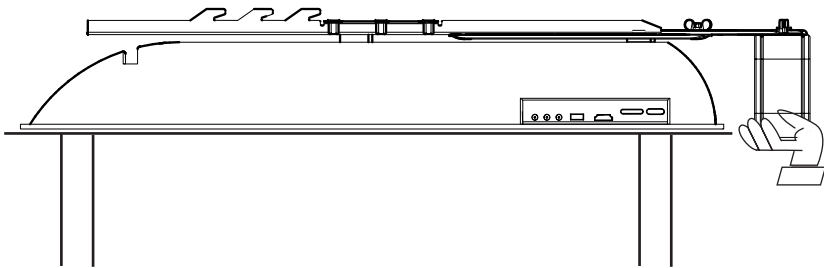
Use the screw and washer to attach the brackets to the bottom mounting holes of the soundbar. M4, M5, M6 and 1/4-20 screws are provided in various lengths. If the proper screws are not included they may be included with your sound bar or may be purchased at your local hardware store.



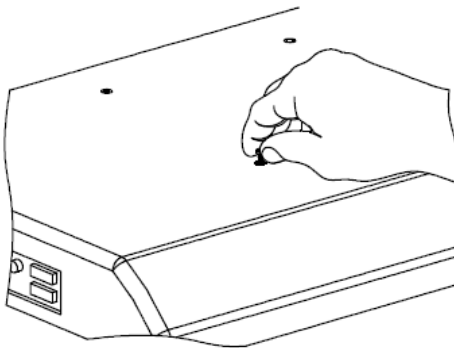
STEP 5: ATTACH TV MOUNT

You will want to work on a flat surface!

Work on a flat surface to ensure the brackets are level. This helps prevent alignment issues when mounting. If your soundbar is thicker than your TV, position it at the edge of a table or flat surface as demonstrated, and keep it steady while installing the hardware.



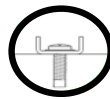
5-1 Test which screw size (M4, M6, M8) will work with your TV.



GOOD FIT



With spacer



Without spacer

BAD FIT



Too long



Too short

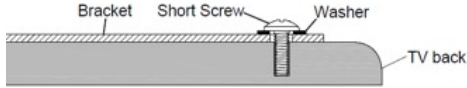


Too small

5-2 Determine if spacers are needed

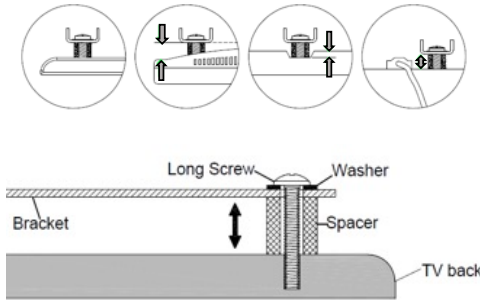
Option 1: Attachment without additional spacers

Use this attachment method if the TV has a flat back.



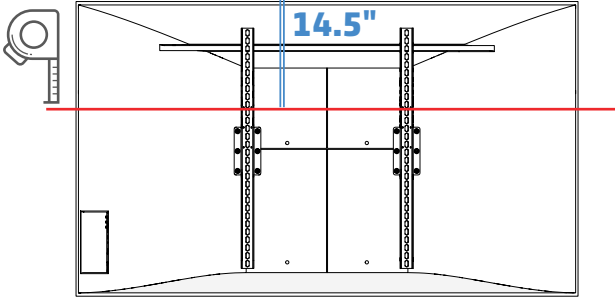
Option 2: Attachment with additional spacers

Use this attachment method if the TV has an irregular, recessed, or obstructed back.



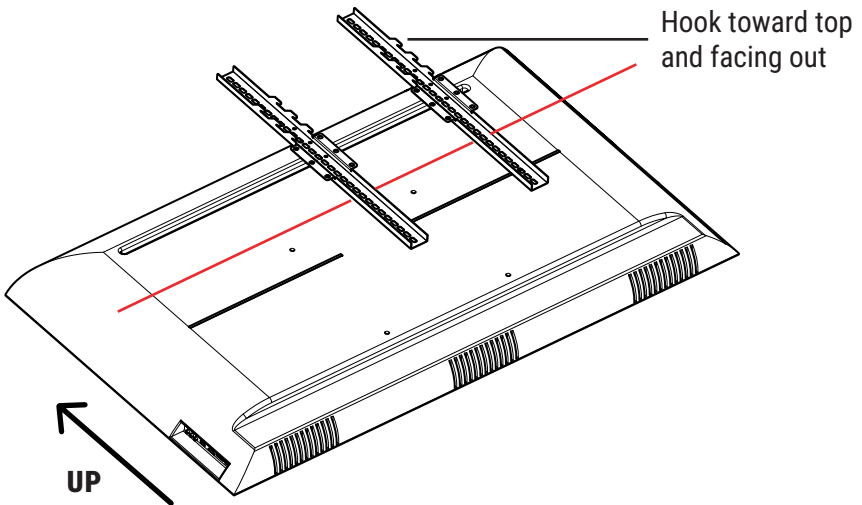
Note: The provided screws will work in most cases. However, if multiple spacers are needed, you may require longer screws, which can be purchased at your local hardware store.

5-3 Measure and mark 14.5" down from top of your TV



Place the vertical brackets

Align the vertical brackets with the VESA holes on your TV. Position the hooks toward the top of the TV, ensuring they are facing outward.

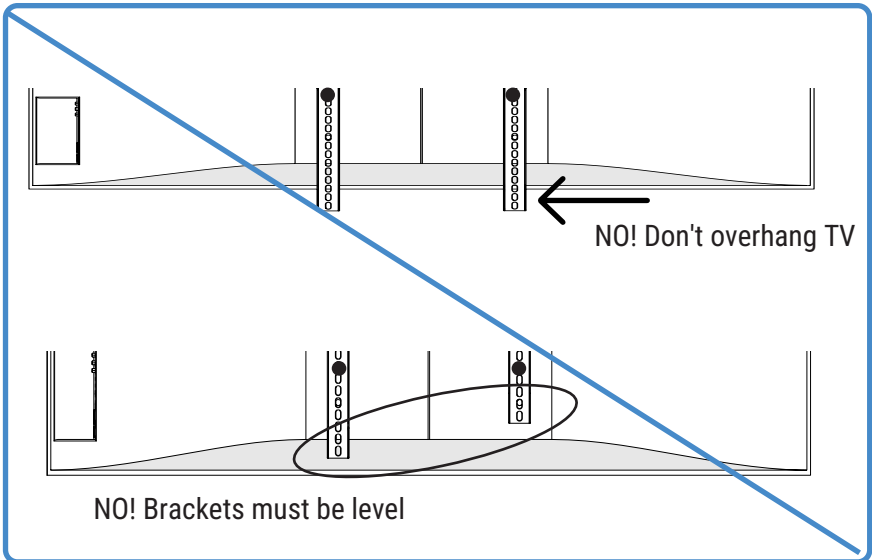
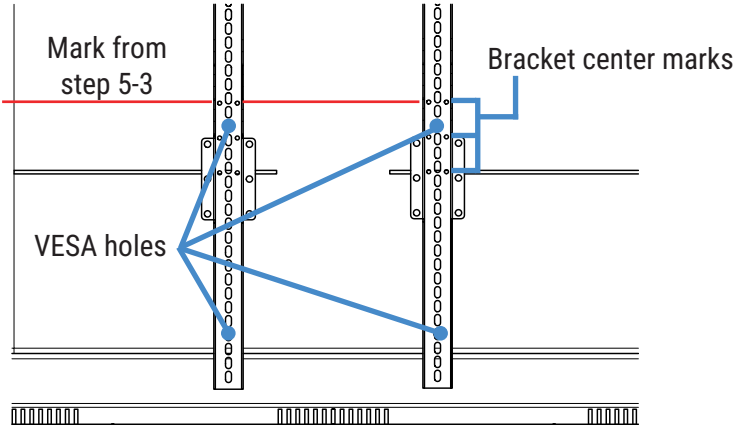


5-4 Align the bracket centering marks

Place one of the bracket's centering marks directly over the mark you drew on the back of the TV in the previous step.

Ensure both brackets are level and aligned with each other.

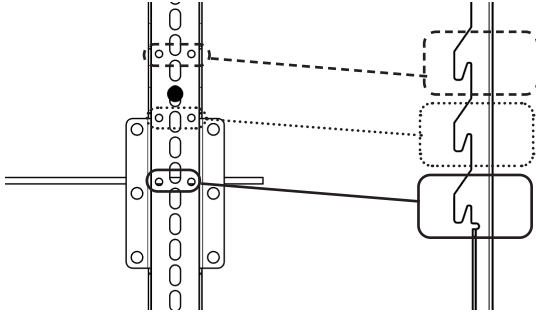
- DO NOT let the top or bottom of the brackets overhang the TV!



5-5

Determine which hook to use on the vertical brackets

Identify which bracket centering mark aligns with the mark you made on your TV. Use the top hook to align with the top centering mark, middle hook for the middle centering mark, and the bottom hook to align with the bottom centering mark.



5-6

Attach the brackets to the TV

Now that you have aligned the vertical bracket, it's time to attach it using one of the following methods:

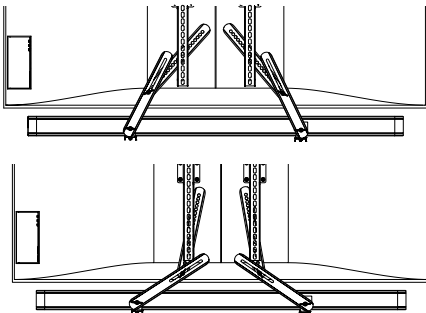
Option 1: attach without additional spacers

Option 2: attach with additional spacers

Adjust the hole location and angle of the soundbar brackets to position your soundbar as desired. Refer to the images below for guidance on achieving the most secure bracket placement.

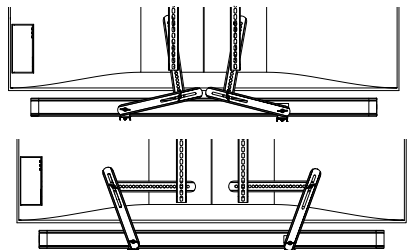
NOT ATTACHING A SOUNDBAR? Follow these steps but omit the soundbar, as well as the S8 and S9 spacers.

Recommended Bracket Placement

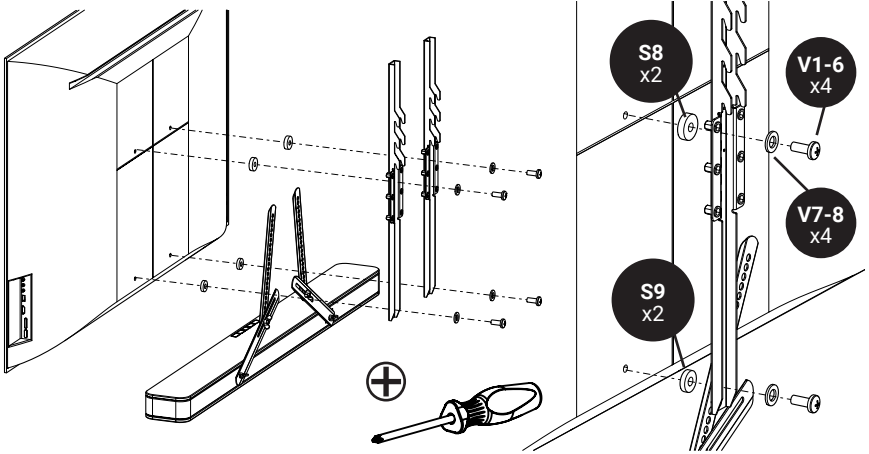


Not Ideal Bracket Placement

Horizontal brackets are less secure and more likely to sag.

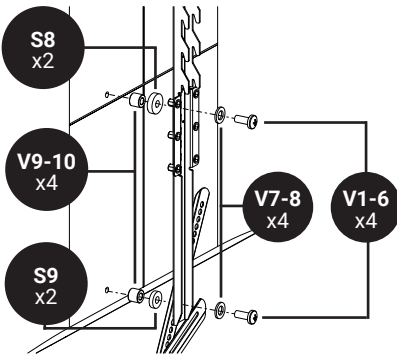


- **Option 1: Attach without additional spacers**

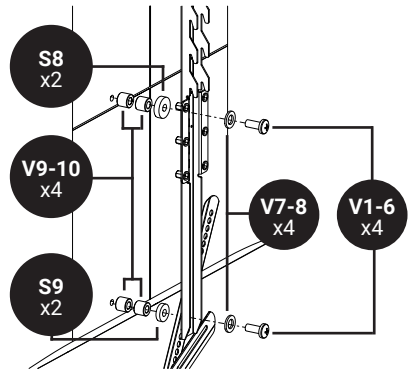


- **Option 2: Attach with additional spacers**

1 spacer



2 spacers

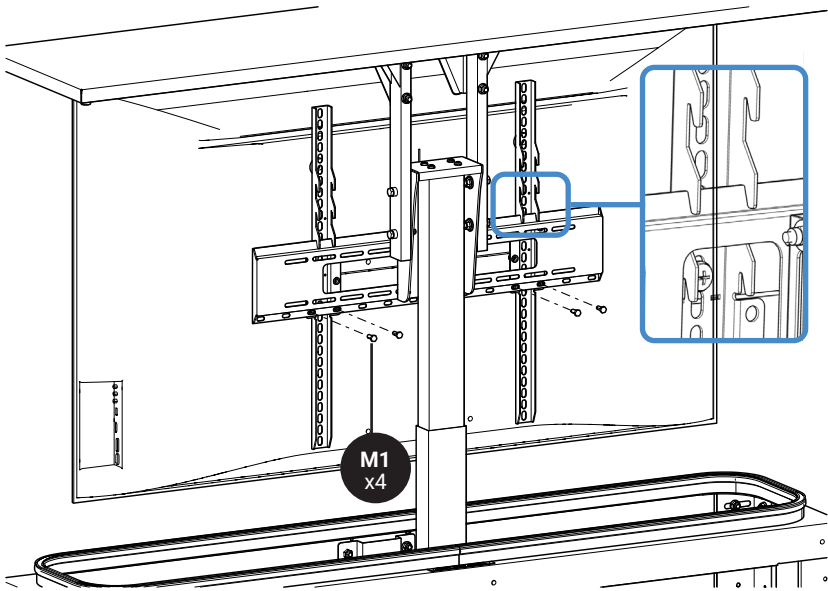


Each figure lists a range of hardware (ex: V1-6). The hardware kit includes a variety of sizes of screws and spacers since every TV is different. Use the hardware that you selected on page 40 to ensure your TV is properly secured.

5-7 Hang and secure the TV to the TV bracket

Holding the TV with the top of the screen tilted toward the mounting plate, slide the hook of the right and left brackets over the upper lip of the mounting plate. Use the hooks that you selected in step 5-5. Then gently lower the TV. *Ensure the TV is centered horizontally on the TV bracket.*

Attach securing screws on both vertical brackets.



5-8 Secure the power cords

To prevent cord damage during lift operation, gather all power cords inside the lift cabinet and secure them with the provided zip ties.

STEP 6: CUSTOMIZE YOUR LIFT CABINET

Protect the TV Before Finishing Exterior

Before completing the exterior installation, ensure the TV is properly protected. If needed, remove the TV and set it aside in a safe location to prevent damage.

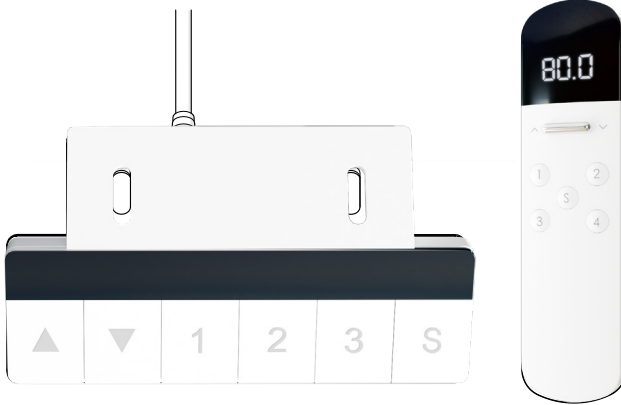
Note: It is highly recommended that any customized exterior includes a removable panel or access door—either in the front or back of the cabinet. This will allow for easy servicing and access to the wired controller.



RECONNECT POWER

Don't forget to reconnect the power cable to the motors once you are done with your lift cabinet!

Operation & Controls



REMOTE CONTROL

The remote will function the same as the buttons on the wired remote. If you have any questions on how a function works, please refer to the following control descriptions on page 48-49.

PAIRING THE WIRELESS REMOTE

1. Unplug the hand controller
2. Put the batteries in the remote controller and press the S and 4 keys at the same time until 00.0 is displayed
3. Plug in the hand controller and the remote controller will display CO, indicating successful pairing motor(s) have been reset.

RESETTING the Motor(s)

To perform a reset:

1. Press and hold the **DOWN** (▼) button.
2. The screen will flash "RST", followed by the height value.
3. Once the height value appears, release the buttons.

The motor(s) have now been reset.



MEMORY FUNCTION

To save a motor position:

1. Press the **SET (S)** key.
2. Then press one of the number keys (**1,2, 3 or 4**) to save the current position to that memory slot.

To update or override a saved position, simply repeat the steps above using the same memory slot.



Setting upper and lower limits

1. Move the lift cabinet to the height you want to set as a limit.
2. Press and hold both the **UP** (⬆) and **DOWN** (⬇) buttons at the same time.
3. Release the buttons when you hear a beep—this confirms the limit has been set.

NOTE:

- Any value **below 115** will be stored as the **lower limit**.
- Any value **above 116** will be stored as the **upper limit**.
- The lift cabinet will not exceed these limits unless a **reset** is performed.

To remove set limits, follow the reset instructions.

Child lock

- Lock- Press both the **SET (S)** and **2** keys to lock the cabinet.
- Unlock - Press both the **SET (S)** and **2** keys.

Note: "LOC" will appear on the screen when the motors are locked. While locked, the control buttons will be disabled and the unit will not respond to input.

CM VS INCHES

Display units: S+3

TROUBLESHOOTING

Error codes

A01	Motor M1 stop due to obstruction	Remove obstruction. Wait for digital screen to go dark and then reset the cabinet.
A02	Motor M2 stop due to obstruction	
A08	Unbalance protection	Wait for screen to go dark, then reset (pg 48).
E09	Table tilt out of sync	Check motor connections to the controller. or eliminate the cause of tilt. Reset motors (pg 48).
E31	Incorrect controller voltage	Restart the power or replace the controller.
E34	Wired remote connection abnormality	Check the hand controller connection, if the wire is bad, replace the wired remote.
ER1	Motor 1 connection	Check the M1/M2 connection. Disconnect the power, reconnect , then reset (pg 48).
ER2	Motor 2 connection	
ER4	Motor 1 power error	Check all the wiring connections to the motor. Verify nothing is loose, unplugged, or damaged. If everything looks secure and the issue continues, contact support for further help.
ER5	Motor 2 power error	
ER7	Motor 1 stalled	Check for any obstructions or anything that may be preventing the motor from moving. RESET the motors (pg 48).
ER8	Motor 2 stalled	
E31	Voltage error	Unplug from power, wait a few seconds, and then plug it back in. If error persists, replace controller.
E34	Wired remote connection error	Check the connection and wire.
HOT	System overheated	Let it rest for 18 minutes.



Make It Yours

Your Storm Shell Lift Cabinet is more than just storage—it's a statement. Whether it's a cozy corner in your cabin, a sleek setup in your living room, or a backyard entertainment upgrade, we want to see how you use it.

Tag us on Instagram @stormshelltv to show off your setup, your custom touches, or your favorite way to watch.

We feature real customer builds, and we'd love to feature yours next!



Need help?

435-752-6611

cs@stormshelltv.com

stormshelltv.com