

## Model AE7570 All-Weather Outdoor TV Enclosure

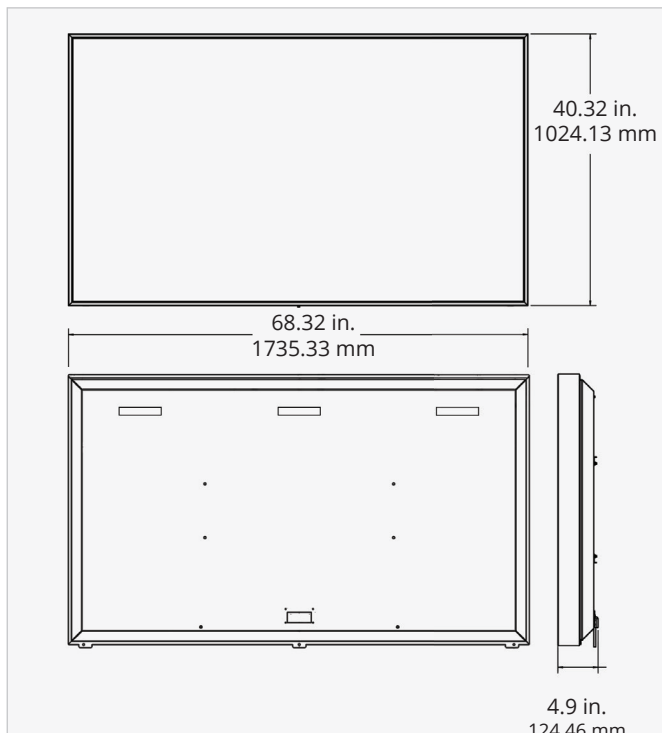


Model 7570 fits most 70" - 75" slimline LED/LCD TVs

Available with Apollo weatherproof mount of your choice  
(Mount drawings and specs on back page.)



### Model AE7570 Drawings and Specs




### Features

- All aluminum powder coated construction for durability and style
- Anti-reflective safety glass reduces glare and enhances contrast
- Tight-Seal technology seals your TV against rain, dust, and insects
- Temperature controlled, multi-filtered air-flow system protects your TV in temperatures of -4° (-20° C) to 122°F (50° C)
- Down-facing Sound Port transfers TV speaker audio effectively to maximize audio performance
- E-Z mount hinging interior TV brackets for simplified TV installation and easy access to TV cables and cable management
- Watertight cable cover protects cable connections to your TV inputs and outputs
- 9' outdoor rated power cable for safe outdoor installation
- 1' extension power cord to accommodate internal connection of power packs or right angle plugs
- Available with choice of full-motion wall mount or tilt wall mount
- Standard color in Black, with three designer color options

Specifications	Model AE7570
Fits TV Sizes	70" to 75" Slimline LED/LCD TVs
Max TV dimensions the enclosure accommodates	66.5" W x 38.3" H x 2.7" (1689.1 x 972.82 x 68.58 mm) *Be sure to measure deepest section of your TV
Power Requirements	110/240 VAC
Mount Options (Choice of one) Drawings & Specs on Next Page	AWM 407 Articulating Wall mount WM607NA Non-articulating Wall Mount
Enclosure Dimensions	68.32" W x 40.32" H x 4.9" D (1735.33 X 1024.13 X 124.46 mm)
Shipping Dimensions	74.5"W x 44.75" H x 9.75" D (1892.3 x 1136.65 x 247.7 mm)
Enclosure Weight	73.5 lbs (33.33 kg)
Shipping Weight	89 lbs (40.37 kg)



Complies with:  
UL/CSA 60950-1  
UL/CSA 60950-2

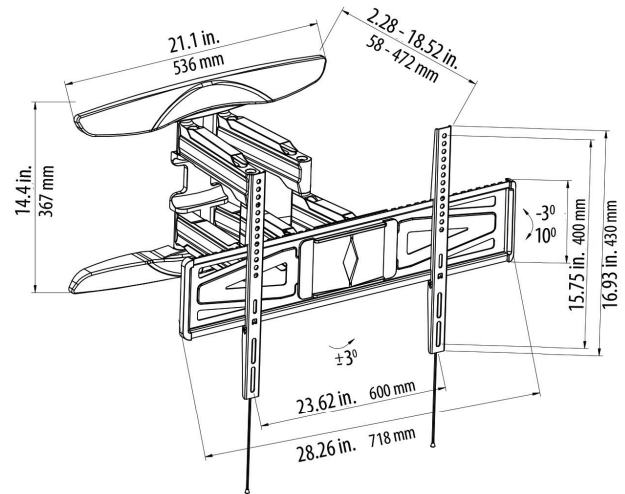
Optional Accessories and Designer Colors	
DC7570 - Custom protective dust cover of washable, durable fabric (coming soon).	Designer Color Upgrades available in Silver, White and Metallic Sandstone  
HM001i - Thermostatically controlled Heater Module for installation in areas of extreme humidity and where temperatures dip below -04° F to -40° F.	
MOD70 - Modesty bezels available for framing smaller TVs	
HDMI-90 - HDMI right-Angle Adapter (May be necessary when installing TVs with rear-facing HDMI Ports)	

## Weatherproof Mount Selections for Apollo Enclosure Model AE7570

Apollo mounts are designed for outdoor installation with weatherproof construction and stainless steel hardware.

### AWM407 Articulating Wall Mount Specifications For Model AE7570

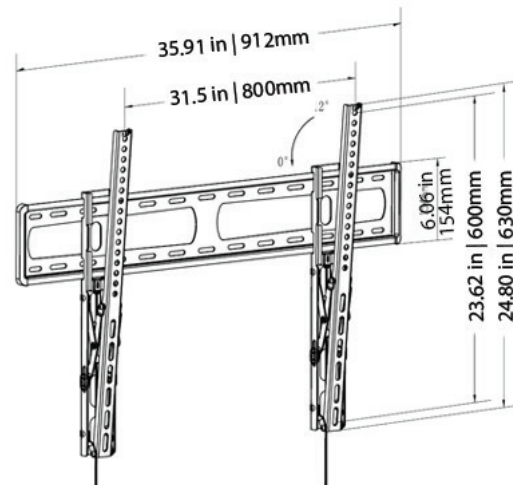
Description	Weather resistant aluminum dual arm, full-motion, tilting wall mount with stainless steel hardware, Black.
Extension	2.3" to 18.5" (58.4 to 469.9 mm)
Tilt	Adjustable from -3° to 10°
Mount Weight	23.7 lbs. (10.8 kg)
Shipping Weight	26.5 lbs. (12.0 kg)
Shipping Carton	30" H x 16.6"W x 3.7"D (762 x 421.6 x 94 mm)



or

### WM607NA Non Articulating Mount Specifications For Model AE7570

Description	Weather resistant non-articulating wall mount with stainless steel hardware, Black.
Tilt	Adjustable from 0° to 12°
Mount Weight	11.02 lbs. (5.0 kg)
Shipping Weight	12.13 lbs. (5.5 kg)
Shipping Carton	36.93" H x 6.61" W x 1.97" D (938.02 x 168 x 50mm)



[www.apolloenc.com](http://www.apolloenc.com) | 888.414.5919

Copyright 2017 Apollo Enclosures LLC. All rights reserved

Rev 7570-spec-170217