

NBV27CB2

GAMING MONITOR

USER MANUAL



In order to continue serving our customers and providing the best products, our product information including our user manuals may receive updates from time to time. Please check our website for the latest user manuals and product materials.

Table of Contents

- Section 1: Safety Precautions 4**
- Section 2: Box Contents 5**
- Section 3: Product Overview..... 6**
 - 3.1 – Monitor Buttons 6
 - 3.2 – Monitor Ports..... 6
- Section 4: Stand Installation 7**
- Section 5: Mount Installation 8**
- Section 6: Basic Operation..... 9**
- Section 7: Indicator Light 9**
- Section 8: OSD..... 10**
 - 8.1 – OSD Menu Functions 10
- Section 9: Display Shortcut Menus 12**
- Section 10: Troubleshooting 13**
- Section 11: Cleaning..... 14**
- Section 12: Specifications 15**
- Section 13: Three-Year Limited Hardware Warranty 16**

Section 1: Safety Precautions

Read and observe the following warnings and information below.

1. Before cleaning, always unplug your monitor. It is recommended that you use dry cloth or lightly damp cloth to clean your monitor. Dry cloth is, however, the safest. If using damp cloth, wait for your monitor to completely dry before plugging it in again.
2. Do not use alcohol or ammonia-based cleaner and/or liquids to clean your monitor.
3. This monitor features ventilation openings on the back of the unit. Avoid blocking these openings to prevent the monitor from overheating.
4. Avoid placing this monitor near any heat sources, e.g., portable heaters or heating vents, as this may cause damage to your monitor.
5. Do not spray cleaner and/or any kind of liquid directly onto the monitor's screen or any part of the monitor.
6. Do not insert anything into any part of the monitor especially the ventilation openings.
7. Always make sure your monitor is placed on a secure, level surface to prevent it from falling and sustaining damage.
8. Unplug your monitor during any extended periods of non-use.
9. Do not place heavy items on the monitor or monitor cables.
10. Do not attempt to disassemble or remove parts from the monitor. Any disassembly or modification etc. not performed by an authorized technician can result in damage to the monitor and/or possible exposure to high voltage electricity which may lead to serious injury or death.

VIOTEK® shall not be held responsible for injury or damage of products or persons due to failure to adhere to the aforementioned precautions or any others noted hereafter.



The terms HDMI and HDMI High-Definition Multimedia Interface, and the HDMI Logo are trademarks or registered trademarks of HDMI Licensing Administrator, Inc. in the United States and other countries.

Section 2: Box Contents



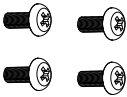
Monitor x 1



Stand Stem x 1



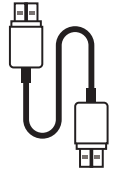
Stand Base x 1



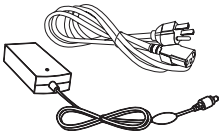
NO.1 Screws x 4
(PM 4 x 10mm)



NO. 2 Screw x 1
(PM 5 x 12mm)



HDMI Cable x 1



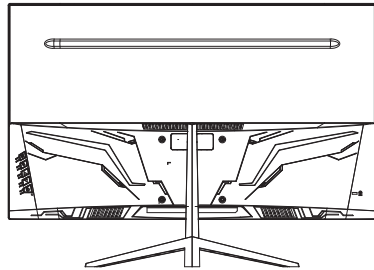
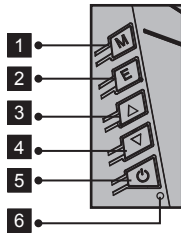
Power Cable x 1



User Manual x 1

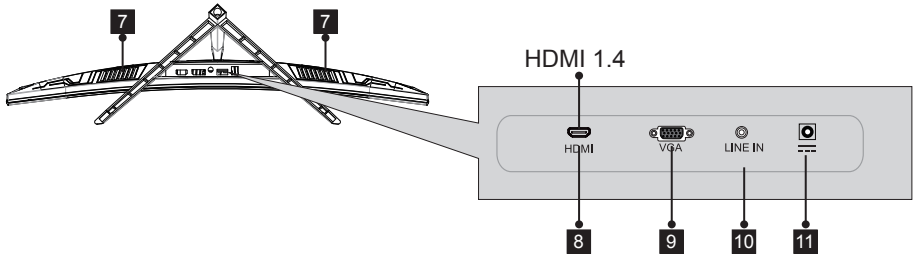
Section 3: Product Overview

3.1 – Monitor Buttons




- 1 M Menu Button:** Press to display the OSD menu or enter sub-menus.
- 2 E Exit Button:** Press to exit menu/sub-menu or activate Input Source shortcut.
- 3 ▲ Up Button:** +/ Press to adjust Brightness effect or press to move up in the menus.
- 4 ▼ Down Button:** -/ Press to adjust volume or press to move down in the menus.
- 5 ⏻ Power Button:** Press to turn the monitor on/off.
- 6 LED Indicator:** Changes colors to indicate status. Power On status is blue color, while standby status is red color. Refer to **Section 7**.

3.2 – Monitor Ports

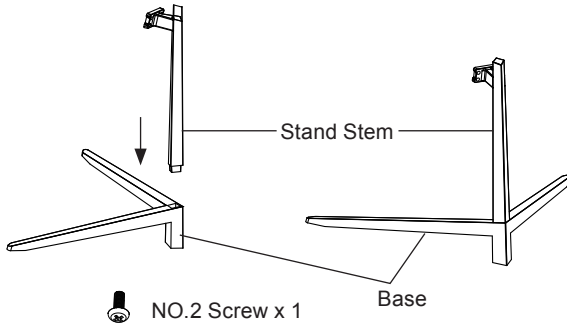


- 7 Speakers:** Audio output.
- 8 HDMI Connector:** Insert one end of the HDMI cable into the computer's HDMI output and connect the other end to the monitor's HDMI port.
- 9 VGA Connector:** Insert one end of the VGA cable into the computer's VGA output and connect the other end to the monitor's VGA port.
- 10 LINE IN:** Audio source input connector. When using VGA signal source input, you must connect LINE IN connector to input audio source.
- 11 Power Connector:** Insert the power cable to supply power to the monitor.

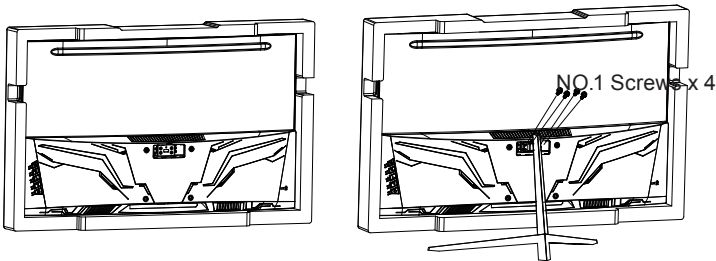
Section 4: Stand Installation

 Keep the foam underneath the monitor before attaching the stand.

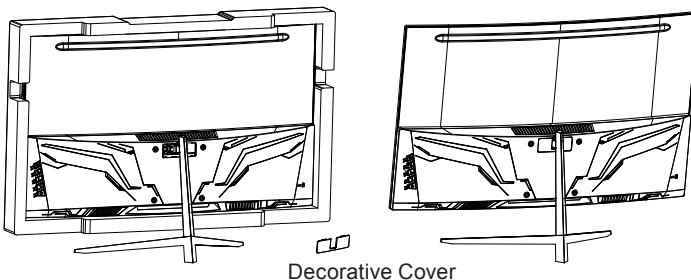
1. Open the package and take out the monitor with foam still attached. Gently place it top-down on a desktop or table.
2. Take out the stem and base. Insert the stand stem into the base, then use a screwdriver (not included) and one NO.2 screw to fasten base to the stem.




3. Attached the stem onto the back of monitor. Use the included four NO.1 screws to install it onto the monitor.



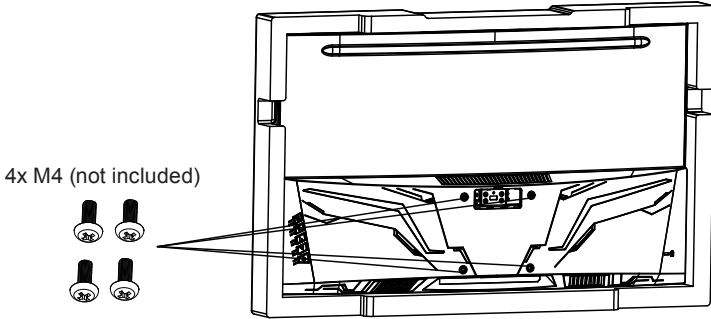
4. Take out the decorative cover from the package and cover it onto the back of monitor. With the stand fully assembled, remove the remaining foam on monitor and stand it up on a flat, level desktop or table.



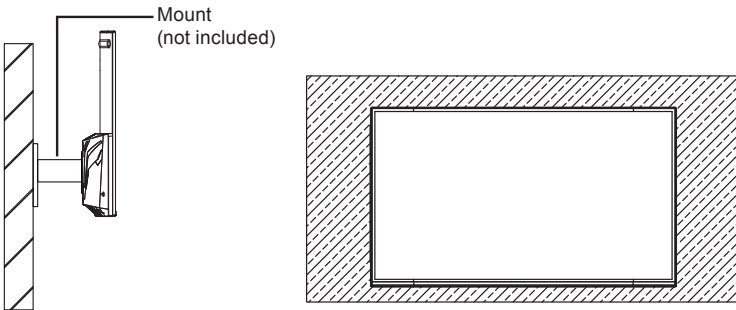
 Make sure the monitor is laid on a flat surface before removing the stand.

Section 5: Mount Installation

1. Open the package and take out the product with foam still attached. Gently place it on a desktop or table. If the monitor is already attached to the stand, remove the stand.
2. Tighten four M4 (10mm) screws (not included) onto the mounting holes on back of monitor.




3. Remove the extra parts and the foam covering the monitor. Then install the monitor on the wall, mount, or fixture as desired.

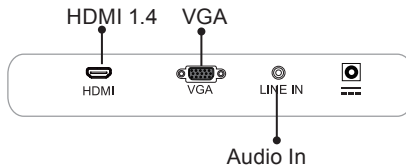


Section 6: Basic Operation

1. Insert one end of the HDMI cable into your PC's graphics card. An VGA cable (not included) may also be used. An HDMI cable is included for your convenience.

 VGA cables do not carry audio.

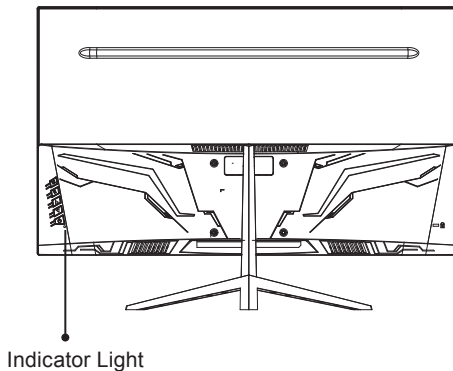
2. Connect the other end of the cable to the corresponding connector on your monitor.



3. Connect the power cable to your monitor, then connect the other end to your power source. It is recommended that you use a surge protector with adequate voltage if a wall outlet cannot be reached directly.
4. Locate the power button on the monitor and press it to turn the monitor on.

Section 7: Indicator Light

Solid blue light indicates power is on and the monitor is operating normally. Red light indicates no video source and in standby mode. Please ensure your computer is on and all video cables are fully inserted and/or connected.

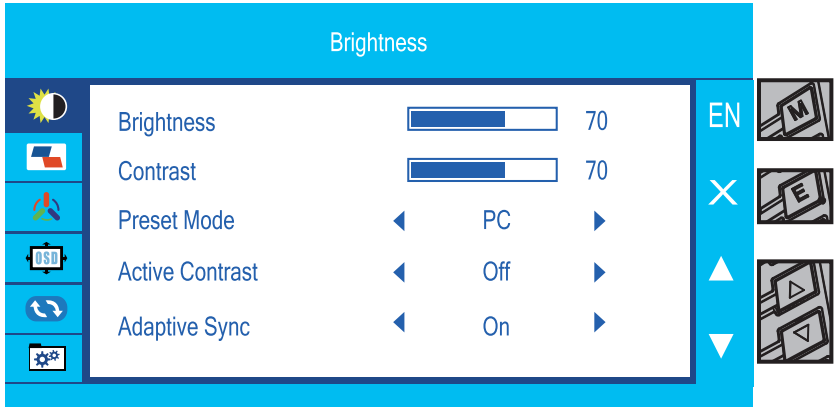


Section 8: OSD

The On-Screen Display (OSD) Menu may be used to adjust your monitor's settings and appears on screen after turning on the monitor and pressing the **M (EN)** button.

- When using the monitor for the first time, settings will automatically adjust to optimal settings according to your computer's standard configuration settings.

1. Press **M (EN)** to enter the OSD menu.



- Press **▼** or **▲** to browse functions.
 - Highlight the desired function, then press **M (EN)** to enter the sub-menu.
 - Press **▼** or **▲** to browse sub-menus, then press **M (EN)** to highlight the desired function.
 - Press **▼** or **▲** to highlight an option, then press **M (EN)** to confirm the settings and exit the current screen.
- Press **E (X)** to exit the current screen.

8.1 – OSD Menu Functions

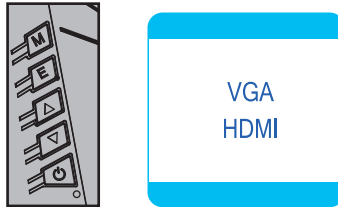
Main Menu	Sub-Menu	Options	Description
Brightness	Brightness	0~100	Adjust display brightness
	Contrast	0~100	Adjust display contrast
	Preset Mode	PC, Movie, ECO, FPS, RTS	Set visual mode according to activity
	Active Contrast	On, Off	Turn on/off Active Contrast function
	Adaptive Sync	On, Off	Turn on/off Adaptive Sync function

Main Menu	Sub-Menu	Options	Description
Image Setup	H-Position	0~100	Adjust the image horizontal position (VGA only)
	V-Position	0~100	Adjust the Image vertical position, Only VGA port.
	Clock	0~100	Adjust the total pixels in the horizontal direction of the image (VGA only)
	Phase	0~100	Adjust image phase (VGA only)
	Image Ratio	4:3, Wide	Select on-screen aspect ratio
	Sharpness	0~100	Adjust display sharpness
Color Setup	Color Temperature	6500, 5500, 9300, User (Red, Green, Blue)	Select color temperature
	Low Blue Light	Off, Level 1, Level 2, Level 3	Set blue light filtering level
OSD Setup	Language	English, Español, Français, Deutsch, Italiano, Português, Nederlands	Set OSD language
	H-Position	0-100	Adjust the OSD's horizontal position
	V-Position	0-100	Adjust the OSD's vertical position
	Timeout	5-120	Set how long the OSD remains open after non-use
	Transparence	0-100	Adjust OSD's overall transparency
Reset	Auto Config	NONE	Auto adjust image (VGA only)
	Auto Color	NONE	Auto adjust color (VGA only)
	Reset	NONE	Reset monitor configurations
Extra	Input Select	VGA, HDMI	Switch to VGA or HDMI signal input
	Audio Input	AUDIO IN, HDMI	Select audio signal input for HDMI or VGA. VGA must use AUDIO IN and have appropriate cable connected to the monitor's LINE IN port.
	Mute	On, Off	Turn mute mode on/off
	Volume	0-100	Adjust audio volume
	DDCCI	On, Off	Toggle the Display Data Channel (DDC) / Command Interface (CI), a communication interface between the computer and the monitor. Holds a collection of protocols that can display and adjust certain display-related information.

Section 9: Display Shortcut Menus

When not in an existing monitor menu (e.g., the OSD), the monitor buttons can be used to bring up shortcuts to certain functions.

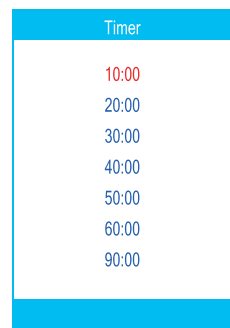
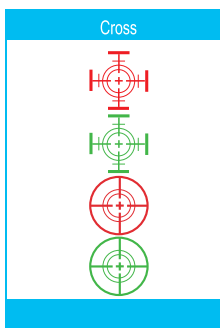
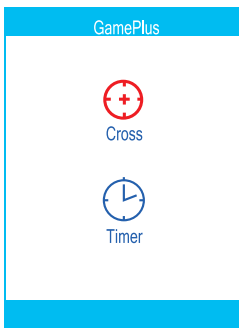
- Press **E** button to enter the signals input shortcut and press **▲** or **▼** to select/switch signals input. Press **M** (EN) button to confirm the selection, while press **E** button again to get out of the shortcut.



- Press **▲** to enter the display brightness adjustment shortcut and press **▲** or **▼** to adjust brightness value, press **M** (EN) button to confirm the setting, while press **E** button to get out of the shortcut menu.



- Press **▼** to bring up the Gameplus shortcut. Press **▲** or **▼** to choose Cross or Timer setting screen and press **M** (EN) button to confirm selection. Press **▲** or **▼** to select the crosshair icon and/or timer best suited for your game and press **M** (EN) to confirm the settings. Crosshair game icons are primarily designed to optimize your aim during shooting games, though they can be used for other scenarios.



Section 10: Troubleshooting

The screen is blank

- Press the power button to turn on the monitor.
- Confirm the brightness and contrast settings are set normally.
- Check if the indicator light is flashing. If so, this indicates there is no signal from your video source.
- If your source is a notebook or laptop, be sure that its settings are in mirror or extension mode and the device itself is powered on.

The image is out of focus

- Ensure the video cable is inserted properly at both ends.

The screen is flashing

- Try an alternative power source. Insufficient power may be causing this issue.
- Ensure devices such as non-shielded speakers, fluorescent lighting, AC transformers, table fans, etc., are a safe distance away from your screen to avoid magnetic disturbances.

The color bleeds or visual effects appear unusual.

- If your screen is all red or blue, or any colors disappear, check to see that the cable is properly inserted. A loose connection can cause a bad signal.
- Try connecting to another video source for comparison. Replace the connecting cable if needed.

The screen appears to be scrolling, rolling, or moving unusually.

- Check that your source frequency is within 144Hz.
- Reconnect and ensure your video cable is secure.

The indicator light does not work

- Check that the power is on.
- Check that the power cable is connected and plugged in to a wall outlet.

Cannot plug and play.

- Ensure the monitor is compatible with PC.
- Ensure the graphics card is compatible with the monitor.
- Check cable connectors for curved or damaged pins. Replace cables if needed.

Cannot hear sounds.

- Make sure Mute isn't enabled in the OSD menu (see **Section 8.1 – OSD Menu Functions**).
- Make sure the correct audio input is selected based on the connecting cable, i.e., HDMI, VGA. (If using a VGA cable, monitor must be set to AUDIO IN in the OSD menu (see **Section 8.1 – OSD Menu Functions**).
- If you are using a VGA cable to connect a computer, you must also connect an audio cable from the computer's LINE OUT to the monitor's LINE IN and select AUDIO IN in the OSD menu (see **Section 8.1 – OSD Menu Functions**).

- If you are using an HDMI cable, check that cable is inserted correctly. If it is, connect a different HDMI cable. If the problem persists, contact customer service.

Dim image

- Adjust the brightness and contrast ratio.

Image jitter/moire pattern

- Nearby electric equipment may interfere with the monitor.

Light indicator is on or flashing, but there is no image displayed on screen

- Check that the monitor power is on.
- Check that the graphics card is installed properly.
- Check that the signal line connects securely with the monitor.
- Check cable connectors for curved or damaged pins. Replace cables if needed.

Color shortage (red, green, or blue)

- Inspect if the pins in the interface are curved.

Image position is not centered/the size is not right

- Adjust Clock or Auto setting.

Color difference (colors are not optimized)

- Adjust RGB color or reset color temperature.

Section 11: Cleaning

To clean the monitor, take the following steps. Do not press the monitor display with hands or other objects; otherwise, there is a risk of damaging the screen.

1. Power off the monitor and PC.
2. Disconnect the power cord from the product.



Do not touch any cords or cables wet hands. Electric shock may result.

3. Use a dry, non-abrasive cloth to gently remove dust and debris.
4. Lightly wet another soft cloth in water. Ring the cloth out well. Gently wipe the exterior of the product.



Never use alcohol, solvent, surfactant or ammonia-based cleaning solutions. Do not spray water or detergent directly on the product.

5. Connect the power cord to the product when cleaning is finished.
6. Power on the product and PC.

Section 12: Specifications

Item	Detail
Model Number	NBV27CB2
Screen Size	27"
Curvature	1800R
Viewing Angle	H 178° / V 178°
Aspect Ratio	16:9
Resolution	1920 x 1080p
Backlight	E-LED
LED Indicator	Power on: Blue (solid); Power saving: Red (solid)
Typical Brightness	265 cd/m ² (TYP); 390cd/m ² (MAX)
Default Color Temp.	9300
Color Gamut	99% sRGB; 74% NTSC
Contrast Ratio	4000:1 (Static)
Pixel Pitch	0.3114 x 0.3114 (H x V)
Response Time	8ms (GTG)
Refresh Rate	75Hz
Adaptive Sync Range	48-75Hz
Ports	1x HDMI 1.4, 1x VGA, 1x Audio Line In
Power	AC 100~240V 50/60Hz DC 12V~4.0A
Power Consumption	Typical: < 35W; Standby <=0.5W
OSD Language	English, Español, Français, Deutsch, Italiano, Português, Nederlands
Usage Temp.	32°F~104°F (operating), 14°F~140°F (storage), 10-85% RH (non-condensing)
Tilt Angle	Forward 4° ±1°; Backward 11° ±1°
VESA Mounting	100 x 100 mm
Dimension (with stand)	24.1 x 17.84 x 7.7 in (612.02 x 188.3 x 462.71 mm)
Weight	7.98 lb. / 11.35 lb. (incl. packaging)

Section 13: Three-Year Limited Hardware Warranty

Your VIOTEK® NBV27CB2 Monitor ("Product") includes a Three-Year Limited Hardware Warranty ("Warranty"). The Warranty covers product defects in materials and workmanship under normal use. This Warranty is limited to residents of the United States and Canada only and is available only to original purchasers. This Warranty gives you specific legal rights and you may also have other rights which vary from state to state.

This Warranty starts on the date of your purchase and lasts for three years (the "Warranty Period"). The Warranty Period is not extended if the Product is repaired or replaced. We may change the availability of this limited warranty at our discretion, but any changes will not be retroactive.

Warranty services are provided by Warranty Pro ("WP"). If a hardware defect arises and a valid claim is received within the Warranty Period, at its option and to the extent permitted by law, WP will: (1) repair the hardware defect by using new or refurbished parts that are equivalent to new in performance and reliability; or (2) exchange the Product with a new product or a refurbished one that is substantially equivalent to the original product. This Warranty is for one replacement only of like-items and does not cover items out of production if the product is no longer made or stocked. This Warranty is not assignable or transferable. The original purchaser may call WP's toll-free number at 1-855-229-9472 for service request.

When a product or part is exchanged, any replacement item becomes your property and the replaced item becomes WP's property. This warranty only covers technical hardware defectiveness during the warranty period and under normal use conditions. WP does not warrant uninterrupted or error-free operation of this Product. This Warranty does not cover any damage due to: (a) transportation; (b) storage; (c) improper use; (d) failure to follow the product instructions or to perform any preventive maintenance; (e) modifications; (f) unauthorized repair; (g) normal wear and tear; or (h) external causes such as accidents, abuse, or other actions or events beyond our reasonable control.

Important: Do not disassemble the Product. Disassembling the Product will void this Warranty. Only WP or a party expressly authorized by WP should perform service on this Product.

DISCLAIMER OF WARRANTY: THE REMEDIES DESCRIBED ABOVE ARE YOUR SOLE AND EXCLUSIVE REMEDIES AND OUR ENTIRE LIABILITY FOR ANY BREACH OF THIS LIMITED WARRANTY. OUR LIABILITY SHALL UNDER NO CIRCUMSTANCES EXCEED THE ACTUAL AMOUNT PAID BY YOU FOR

THE DEFECTIVE PRODUCT, NOR SHALL WE UNDER ANY CIRCUMSTANCES BE LIABLE FOR ANY CONSEQUENTIAL, INCIDENTAL, SPECIAL OR PUNITIVE DAMAGES OR LOSSES, WHETHER DIRECT OR INDIRECT. SOME STATES DO NOT ALLOW THE EXCLUSION OR LIMITATION OF INCIDENTAL OR CONSEQUENTIAL DAMAGES, SO THE ABOVE LIMITATION OR EXCLUSION MAY NOT APPLY TO YOU.

THE DURATION AND REMEDIES OF ALL IMPLIED WARRANTIES, INCLUDING WITHOUT LIMITATION THE WARRANTIES OF MERCHANTABILITY AND FITNESS FOR A PARTICULAR PURPOSE ARE LIMITED TO THE DURATION OF THIS EXPRESS LIMITED WARRANTY.

DECLARATION OF CONFORMITY

This device complies with Part 15 of the FCC Rules. Operation is subject to the following two conditions: (1) This device may not cause harmful interference, and (2) this device must accept any interference received, including interference that may cause undesired operation.

FCC RELATED INFORMATION:

This equipment has been tested and found to comply with the limits for a Class B digital device, pursuant to Part 15 of the FCC Rules. These limits are designed to provide reasonable protection against harmful interference in a residential installation. This equipment generates, uses, and can radiate radio frequency energy and, if not installed and used in accordance with the instructions, may cause harmful interference to radio communications. However, there is no guarantee that interference will not occur in a particular installation. If this equipment does cause harmful interference to radio or television reception, which can be determined by turning the equipment off and on, the user is encouraged to try to correct the interference by one or more of the following measures:

- Reorient or relocate the receiving antenna.
- Increase the separation between the equipment and receiver.
- Connect the equipment into an outlet on a circuit different from that to which the receiver is connected.
- Consult the dealer or an experienced radio/TV technician for help.

The manufacturer is not responsible for any radio or TV interference caused by unauthorized modifications to this equipment. Such modifications could void the user's authority to operate the equipment.

VIOTEK®

COPYRIGHT © 2021 VIOTEK. ALL RIGHTS RESERVED.