



WPX

Installation Manual

WP60XT

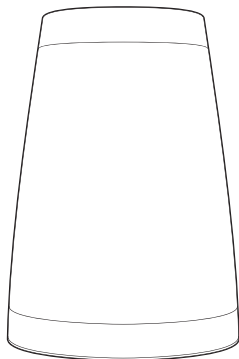
Welcome

Thank you for purchasing a WPX speaker from Dayton Audio. This rugged, all-purpose speaker is designed to deliver reliable, high-quality audio in commercial and residential applications while withstanding outdoor environments. The WPX series features an IP66 weather-resistant ABS construction, 2-way coaxial speaker design and passive bass radiators.

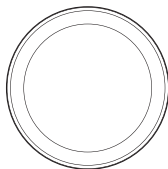
Contents

Welcome	1
Contents	1
What's In The Box	2
70V Connection	3
8Ω Connection	4
Pendant Installation	5
Landscape Installation.....	6
Surface Mount Installation.....	7
Troubleshooting	8
Specifications	9

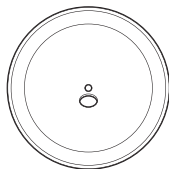
What's In The Box



WPX Pendant Speaker



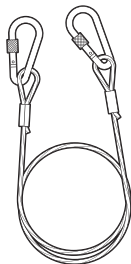
Back Cover



Top Cover



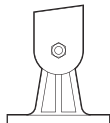
Eyebolt
and Nut



Hanging Cable
with Carabiner



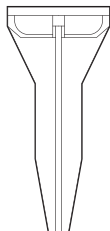
Mounting Hardware



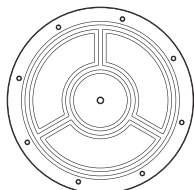
Wall Mount Bracket



This Manual



Landscape Mount

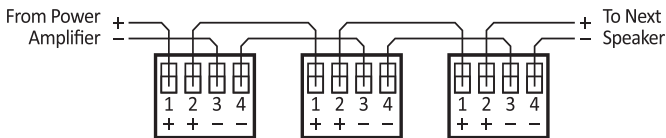


Base Plate

70V Connection

In large commercial installations such as restaurants, warehouses, theme parks, or schools WPX speakers can be installed with a matching 70V amplifier to provide full coverage without risking amplifier overload or loss in signal quality.

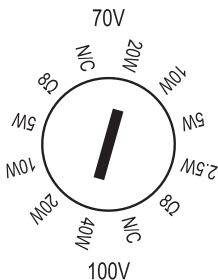
Connect the speakers in parallel with a single cable coming from the amplifier. When installing multiple rows of speakers it is good practice to give each row its own run of cable.



Typical 70V/100V installation wiring method

Set the transformer tap to the desired setting; taking care to ensure the total of all taps settings on all speakers does not exceed the amplifier's power output.

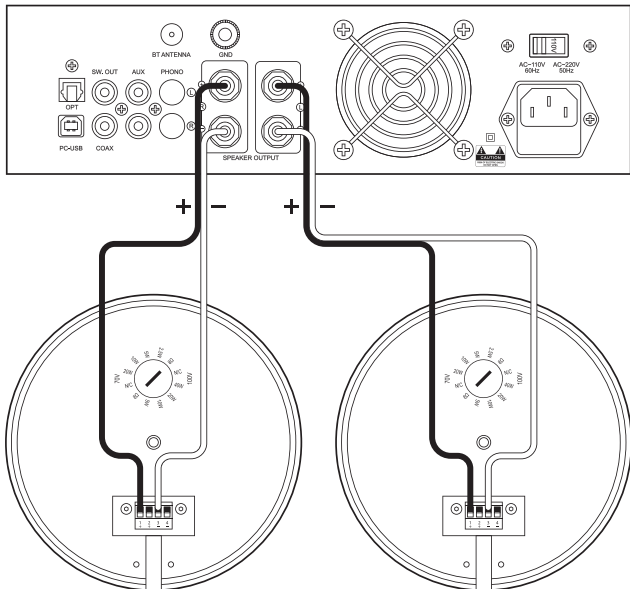
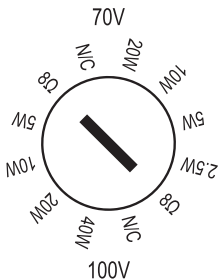
When using this speaker with a 70V/100V distributed audio system, do not set the 70V/100V tap to the 8 ohm setting. Doing so may damage your speaker when playing. To use this speaker with a conventional (non-70V/100V) audio system, change tap to the 8 ohm setting. If you are unsure what type of audio system you have, consult a professional installer before continuing.



8Ω Connection

WPX speakers can also be used in standard stereo installations. Set the transformer tap on the rear of the speaker to 8Ω and connect one speaker to each of the outputs on a stereo amplifier.

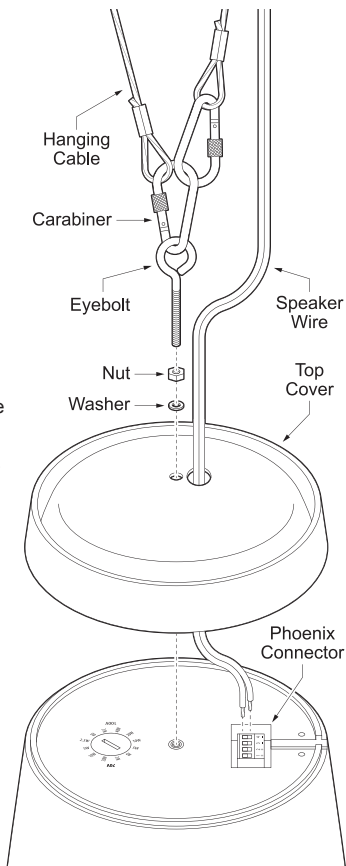
Do not use any 70V tap settings in this situation as the amplifier could become overloaded, resulting in poor sound quality.



Pendant Installation

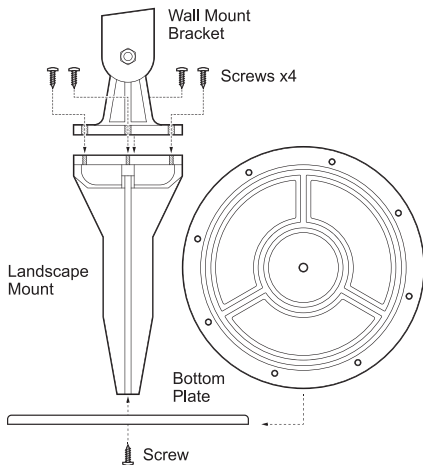
1. Feed the cable through the end cap before terminating with the supplied phoenix connector.
2. Connect the cable to the speaker and install the top cover on the speaker.
3. Fasten the eyebolt, nut and washer on top of the speaker cover.
4. Hang the speaker using the supplied hanging cable and carabiner.

! Make sure the speaker is properly secured to the ceiling or support structure. Use appropriate fasteners and connectors to the type of structure. Failure to do so may cause the speaker to become unsecured, resulting in potential damage or injury.

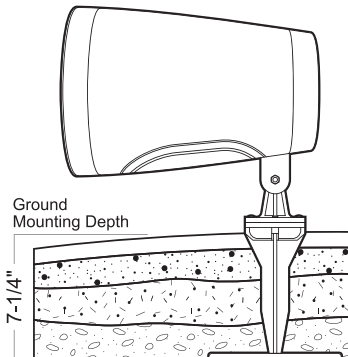


Landscape Installation

1. Assemble the landscape as shown in figure to the right.



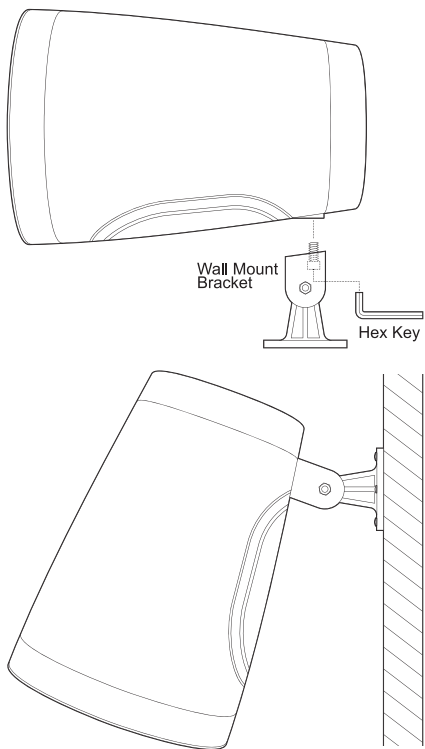
2. Bury the entire assembly for increased stability.



Surface Mount Installation

Use appropriate hardware for securing the wall mount bracket to any wall of surface.

The bracket can be adjusted to point the speaker in the desired direction.



Troubleshooting

Problem	Cause	Solution
No sound	The amplifier is turned off or the volume is turned down	Verify that the amplifier is powered on and the volume is turned up
	Mute feature or protection mode is activated	Check for short circuits in speaker wiring
Low or poor quality sound	Incorrect wiring	Make certain you observed proper polarity for both speaker inputs. Check the connections at the back of the receiver, and then at the speaker
	Incorrect transformer tap selected on the speaker	Check that the correct transformer tap is selected for your application. If you are using a stereo amplifier or a receiver, use the 8 ohm tap
The sound cuts out	There is a short circuit in the speaker cables	Check the connections at the amplifier and all speakers to ensure that no strands of wire from one connector are touching the other connector
The sound output lacks bass	The speakers polarity is reversed	Double check the speaker connections, ensuring that the + and - terminals are connected properly on both speakers
	The amplifier is using a high pass filter	Some commercial amplifiers have built in high pass filters to deliver more power in a 70V system. Check the setting and specifications of the amplifier

Specifications

Frequency Response	47 Hz - 20 kHz
Power Handling	40W RMS (60W max)
Speaker Type	2-Way Pendant w/ passive radiator
Sensitivity	85 dB
Impedance	8 Ω , 70V/100V
70V Taps	2.5W, 5W, 10W, 20W
100V Taps	5W, 10W, 20W, 40W
Transducers	
Woofer	6" Graphite Cone with Rubber Surround
Tweeter	1" Silk Dome
Max SPL (8 Ohm, 2.83V/1m)	103 dB

General

Dimensions (H x W)	11.125 x 8.375 in. 282 x 214 mm
Weight	8.12 lbs. (3.68 kg)
Ingress Protection Rating	IP66
Colors Available	Black White

All specifications are accurate at the time of printing.
Dayton Audio reserves the right to make improvements without notice.

5-Year Limited Warranty
See daytonaudio.com for details



daytonaudio.com
tel + 937.743.8248
info@daytonaudio.com

705 Pleasant Valley Dr.
Springboro, OH 45066
USA





DAYTON AUDIO WPX

Compact Full-Range Pendant Speakers





Pendant Mount



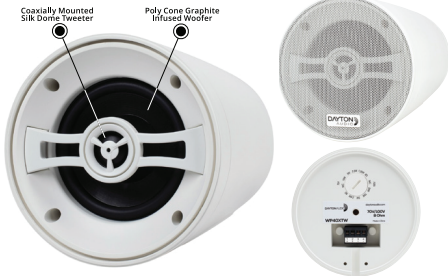
Wall Mount (WP40XT & WP65XT Only)



Landscape Mount (WP40XT & WP65XT Only)

Dayton Audio WPX Compact Full-Range Pendant Speakers

The Dayton Audio WPX line of Compact Pendant/Landscape Speakers are a versatile solution for high-quality indoor and outdoor audio. Their durable IP66-rated ABS enclosures ensure reliable performance in any environment, while their built-in passive radiators delivers exceptional bass response uncommon in pendant speakers. With flexible mounting options and 70V/100V or 8-ohm compatibility, these speakers adapt seamlessly to commercial or residential installations, offering outstanding sound clarity in a compact, stylish design.



WP40XT



Frequency Response	80 - 20,000 Hz
Power Handling	20W RMS/40W max
Sensitivity	84 dB
Potential Output	99 dB
Woofer	4" Graphite
Impedance	8 Ohm
Transformer Taps	
70V	1.25W, 2.5W, 5W, 10W
100V	2.5W, 5W, 10W, 20W
Tweeter	3/4" Silk Dome
Enclosure Type	2-Way Passive Radiator
Crossover Frequency	4 kHz
Weight	4.65 lbs. (2.11 kg)
Dimensions	9.25" H x 5.875" dia. (235 x 147.8 mm)
Warranty	5 Years
Finishes Available	Black, White

WP60XT



Frequency Response	47 - 20,000 Hz
Power Handling	40W RMS/60W max
Sensitivity	85 dB
Potential Output	103 dB
Woofer	6-1/2" Graphite
Impedance	8 Ohm
Transformer Taps	
70V	2.5W, 5W, 10W, 20W
100V	5W, 10W, 20W, 40W
Tweeter	1" Silk Dome
Enclosure Type	2-Way Passive Radiator
Crossover Frequency	3 kHz
Weight	8.12 lbs. (3.68 kg)
Dimensions	11.125" H x 8.375" dia. (282 x 214 mm)
Warranty	5 Years
Finishes Available	Black, White

WP80XT



Frequency Response	37 - 20,000 Hz
Power Handling	50W RMS/80W max
Sensitivity	88 dB
Potential Output	105 dB
Woofer	8" Graphite
Impedance	8 Ohm
Transformer Taps	
70V	3.12W, 6.25W, 12.5W, 25W
100V	6.25W, 12.5W, 25W, 50W
Tweeter	1" Silk Dome
Enclosure Type	2-Way Passive Radiator
Crossover Frequency	3 kHz
Weight	10.99 lbs. (4.98 kg)
Dimensions	14.75" H x 10" dia. (375 x 253.4 mm)
Warranty	5 Years
Finishes Available	Black, White