

PRESRV™

REFRIGERATOR  
FREEZER DRAWERS

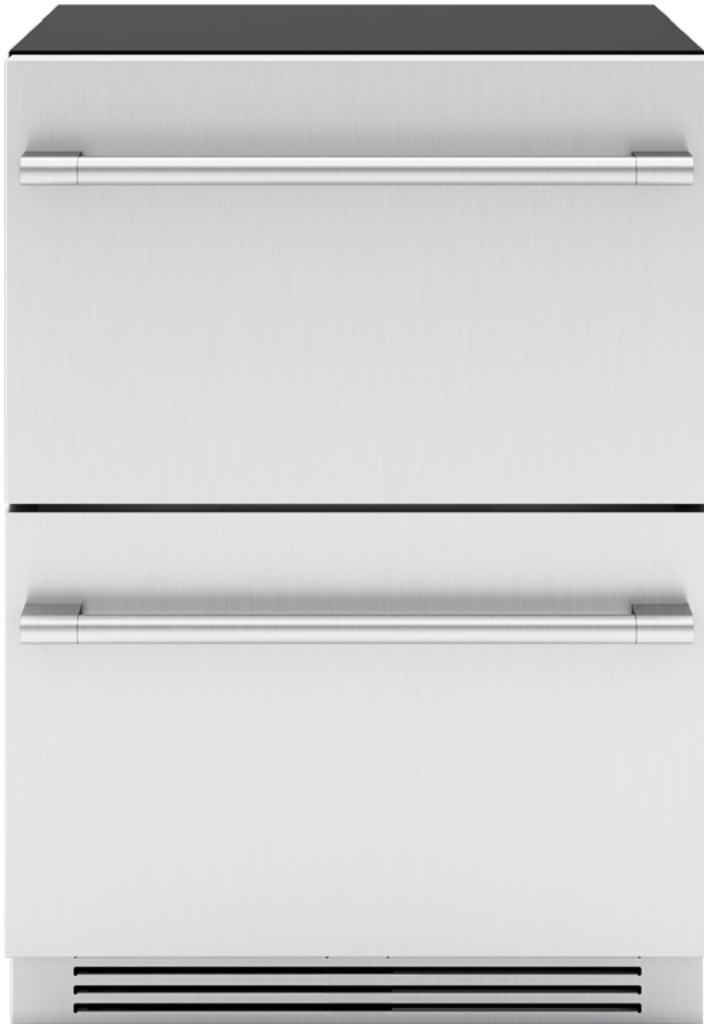
DUAL ZONE



The versatility is off the charts with these stainless steel, dual zone refrigerator and freezer drawers. From easily converting to use for freezer, fridge, or pantry, to adjustable in-drawer organizers and 3-Color LED lighting, these Full-

Extension, Soft-Close Drawers are ready to do things just the way you like them. Optional contemporary drawer handle accessory also available.

**ZEPHYR**  
ZEPHYRONLINE.COM

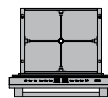


**How Presrv™ Stands Out:**



**PreciseTemp™**

Multiple internal sensors help maintain accurate temperatures and increase overall performance



**Preset Temperature Modes**

Each drawer can be converted to a fridge (32°F to 45°F), freezer (-7°F to 7°F), or pantry (46°F to 65°F) for ultimate flexibility



**Inverter Compressor**

Uses a BLDC motor to achieve lower temperatures while using less energy and performing more quietly than a fixed speed compressor



**Soft-Close Drawers**

Close more smoothly and quietly to prevent shifting of drawer contents

**MODEL**

Dual Zone Refrigerator/Freezer Drawers	PRRFD24C2AS
Size	24"
Dimensions	23-7/8"W x 33-7/8"H x 24"D
Weight	135
Installation Type	Compact / Built-in
Refrigerant Type	R600a

**FEATURES**

Volume	3.9 cu/ft
Temperature Range	-7° - 65° F (each zone)
Sound Level	37 dBA
Exterior Drawer Finish	304-grade Stainless Steel with Pro Handles
Interior Drawer Finish	Stainless Steel
Exterior Cabinet Finish	Black
Interior Cabinet Finish	Black
Full-Extension Drawers	Yes
Soft-Close Drawers	Yes
Removable Silicone Drawer Mats	Yes
Drawer Organization	Adjustable Bar Dividers + Transparent Drawer Tray
Lighting	3-Color LED Lighting
Controls	Backlit LED Electronic Touch
Preset Temperature Modes	Freezer, Fridge, Pantry
Control Panel Lock	Yes
Door Open Alarm	Yes
Dual Evaporators	Yes
Inverter Compressor*	Yes
Sabbath Mode	Yes
ENERGY STAR® Certified	Yes
PreciseTemp™	Yes
Active Cooling Technology	Yes

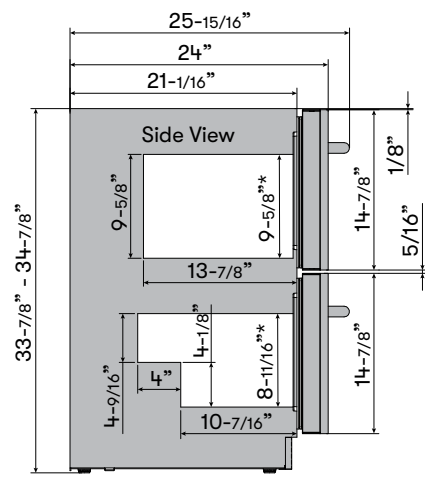
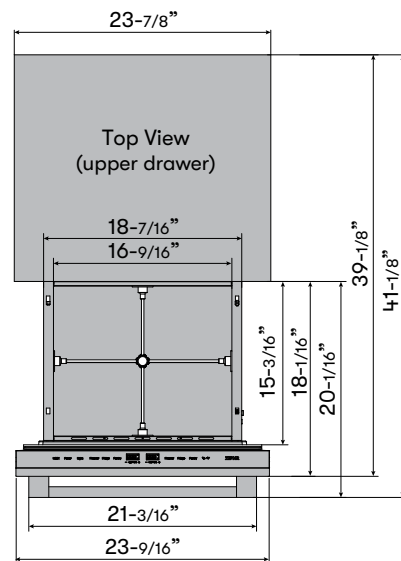
AC POWER	115V, 60Hz at Max. 1.5A
----------	-------------------------

OPTIONAL ACCESSORIES	
Contemporary Handle**	50280011 (Stainless Steel, x1)

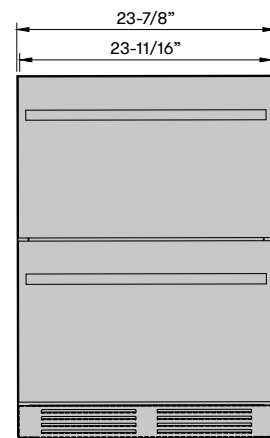
WARRANTY	2 years parts, 2 years labor 5 years compressor
----------	--

\*An inverter compressor uses a BLDC motor to achieve lower temperatures while using less energy and performing more quietly than a fixed speed compressor

\*\*1 handle included, 2 handles needed



\*Maximum clearance height inside drawers is 12"



**Transforming the Kitchen through Design, Discovery, and Care**

Specifications subject to change, check zephyronline.com for up-to-date information.  
Zephyr | 2277 Harbor Bay Parkway, Alameda, CA 94502 | 888.880.8368

AUG25.0201

