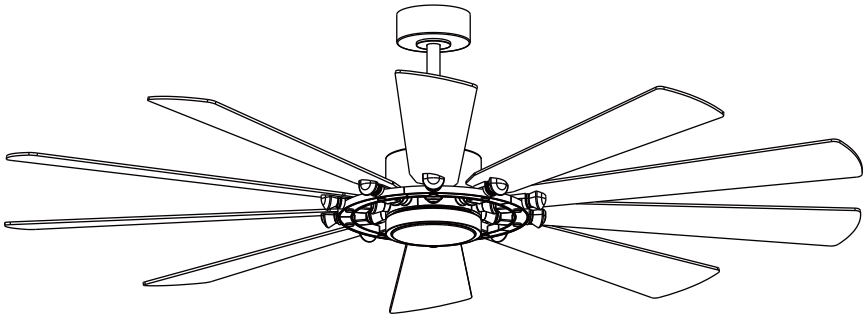


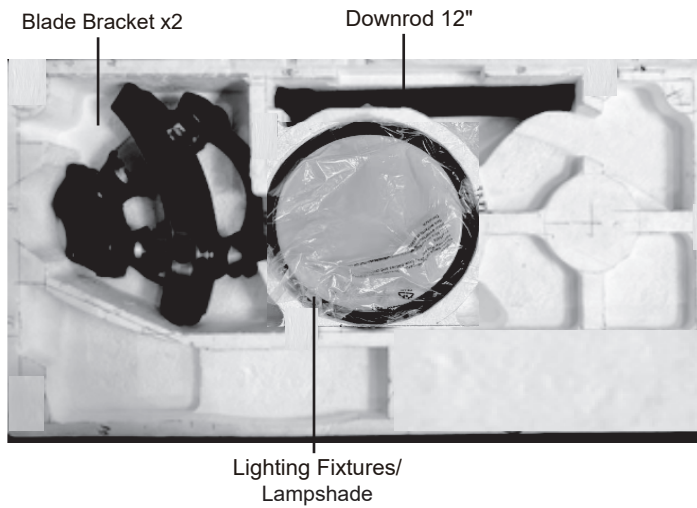
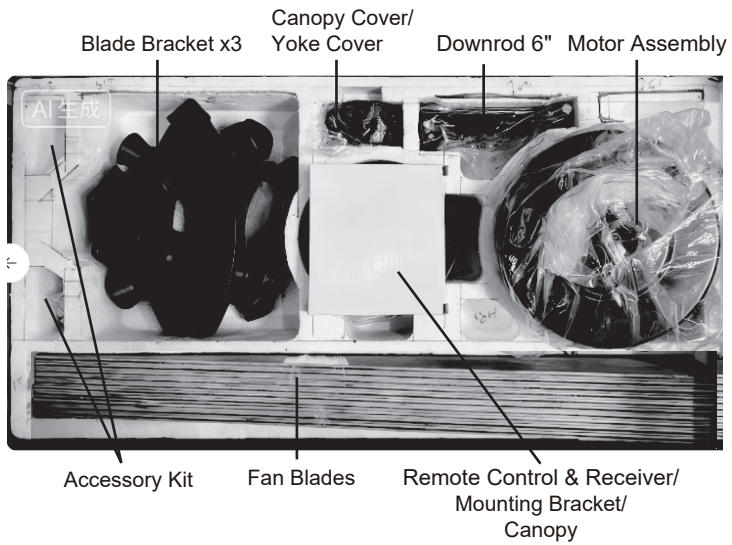
# INSTALLATION & USER MANUAL

## CEILING FAN WITH LIGHT



**Item#40028**

**Customer Service: [support@ceilingfanhelp.com](mailto:support@ceilingfanhelp.com)**




# Table of Contents


Table of Contents.....	3	Exploded View.....	5
Safety Information.....	3	Installation Instructions.....	6-12
Dimension Reference.....	4	Troubleshooting Guide.....	13
Hardware Included.....	4	Balancing Kit.....	14
Fan Parts Included.....	4		


## Safety Information


### READ AND SAVE THESE INSTRUCTIONS.


1. To reduce the risk of electric shock, ensure the power is turned off at the circuit breaker or fuse box before installation.
2. All wiring must be in accordance with the National Electrical Code “ANSI/NFPA 70” and local electrical codes. Electrical installation should be performed by a qualified licensed electrician.
3. Make sure the outlet box and support structure are securely mounted and rated for safely supporting a fan weighing up to 35 lbs (15.9 kg); this fan must be installed on a UL-listed outlet box clearly marked “Acceptable for Fan Support of 35 lbs (15.9 kg) or less.” If you are unsure about safety or compatibility, please consult a qualified electrician.
4. Do not place objects in the path of the blades.
5. To clean the fixture, turn off the power, wait for it to cool, and wipe the fixture with a clean, soft cloth.
6. After making electrical connections, spliced conductors should be turned upward and carefully pushed into the outlet box. The wires should be spread apart with the grounded conductor and the equipment-grounding conductor on one side of the outlet box and ungrounded conductor on the other side of the outlet box.
7. All set screws must be checked and retightened where necessary before installation.


 **WARNING:** To reduce the risk of electric shock or fire, do not use this fan with any solid-state fan speed control device. Such use will permanently damage its electronic circuitry.


 **WARNING:** To reduce the risk of personal injury, do not bend the blade brackets during installation, blade balancing, or fan cleaning.


 **WARNING:** To reduce the risk of fire, electric shock or personal injury, mount to outlet box marked “acceptable for fan support of 35 lbs. (15.9 Kg) or less” and use screws provided with the outlet box.


 **WARNING:** To avoid possible electrical shock, turn the electricity off at the main fuse box before wiring.

 **WARNING:** To reduce the risk of electrical shock, this fan should not be installed with an isolating wall control or switch, as it may cause incompatibility issues.

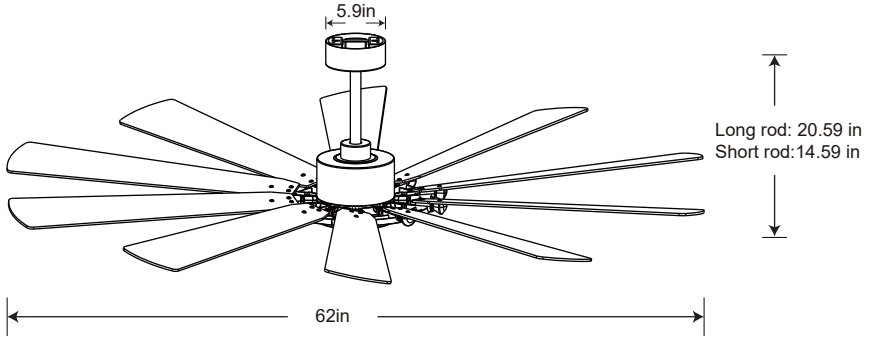
 **CAUTION:** To reduce the risk of personal injury, use only the screws provided with the outlet box.

 **CAUTION:** Please use carefully when working around or cleaning the fan to avoid injury or damage to the fan.

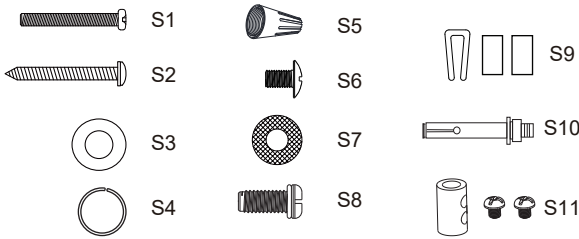
 **CAUTION:** The fan must be mounted with a minimum of 7 ft (2.1 m) clearance from the trailing edge of the blades to the floor.

 **CAUTION:** Changes or modifications not expressly approved by the party responsible for compliance could void the user’s authority to operate the equipment.

## Dimension Reference

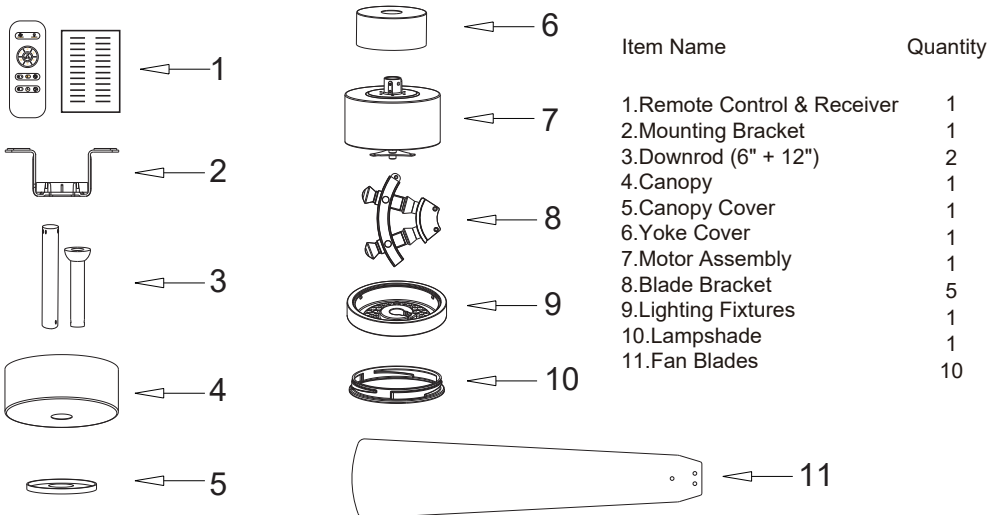


## Hardware Included

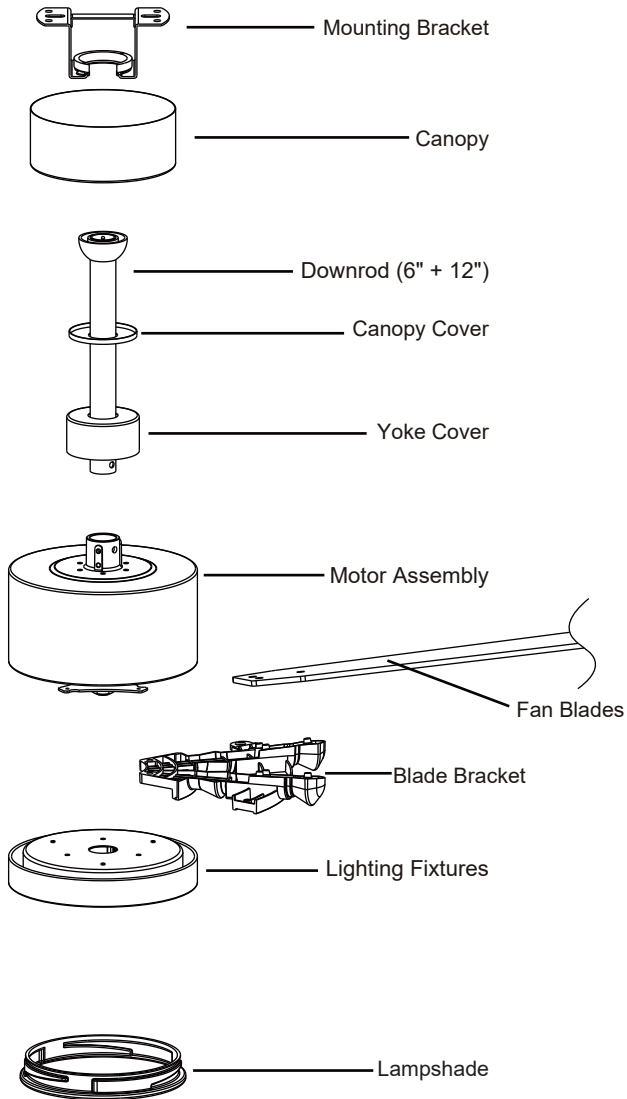


Hardware Package	Quantity
S1. J-box Screw	2
S2. Self-tapping Screw	4
S3. Washer	4
S4. Spring Washer	4
S5. Wire Nut	3
S6. Blade Screw	37
S7. Paper Gasket	32
S8. Blade Bracket Screw	1
S9. Balance Kit	1+2
S10. Expansion Screw	2
S11. Safety Cable Kit	1+2

## Fan Parts Included



# Exploded View

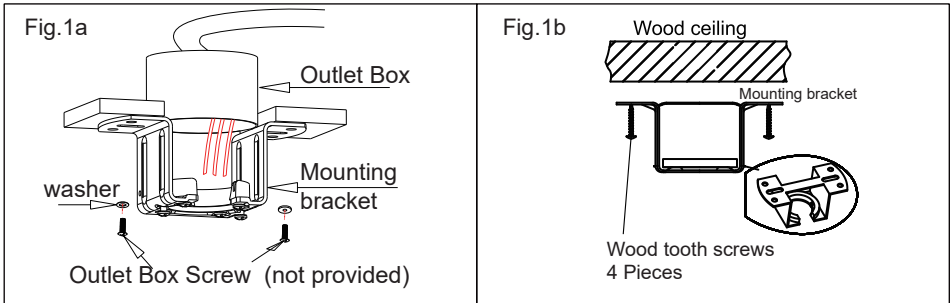


# Installation Instructions

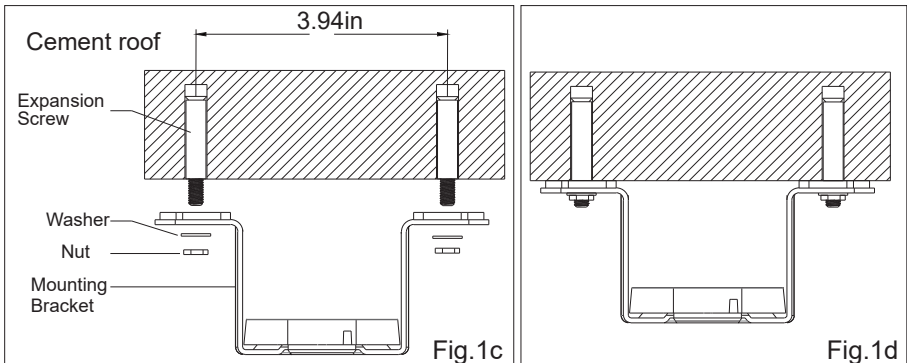
## Step1 Installing the hanger bracket

**WARNING: To Reduce The Risk Of Fire, Electric Shock, Or Personal Injury, Mount To UL/CSA Listed Outlet Box Marked Acceptable for Fan Support And Use Mounting Screws Provided With The Outlet Box.**

- Locate ceiling joist where fan is to be mounted, ensuring the location meets the requirements in the minimum clearance section of this guide. Wood joists must be sound and of adequate size to support 70 pounds. (Fig. 1a)
- Choose expansion screws or wood screws for installation based on the material of the roof. fan motor assembly (including the hanger ball), at least 4 screws need to be installed to fix the hanger during installation. (Fig. 1b)



- If the fan is being installed on a concrete ceiling without an outlet box, use two expansion screws.
- Use an impact drill to drill two  $\text{Ø } 8 \text{ mm}$  (5/16") holes. Note that the distance between the two holes should be approximately 100 mm (3.94").
- Insert the expansion screw anchors fully into the holes, then remove the washers and nuts.
- Place the mounting bracket onto the expansion screws, reinstall the washers, and tighten the nuts with a wrench. (See Fig. 1c and Fig. 1d)



# Installation Instructions

## Step2 Install the blade fork

- Align the positioning hole of the blade bracket with the motor shaft, tighten it using the blade fork screw, and repeat to install all five blade brackets.
- Secure the blade bracket with the provided screws per the illustration.(Fig.2b)

Fig.2a

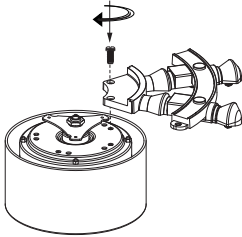
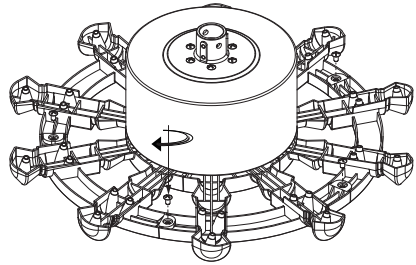


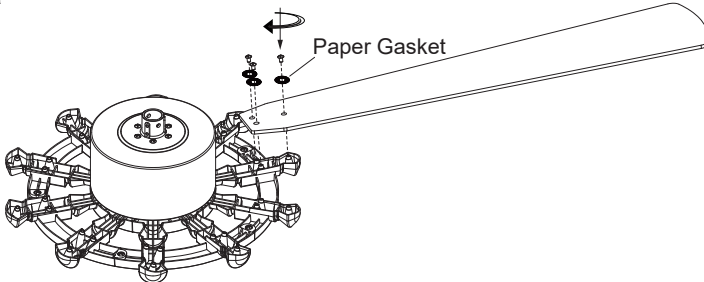
Fig.2b



## Step3 Attaching the Fan Blades

- Install the fan blades as shown in the diagram, then secure each blade with two screws (10 screws total)

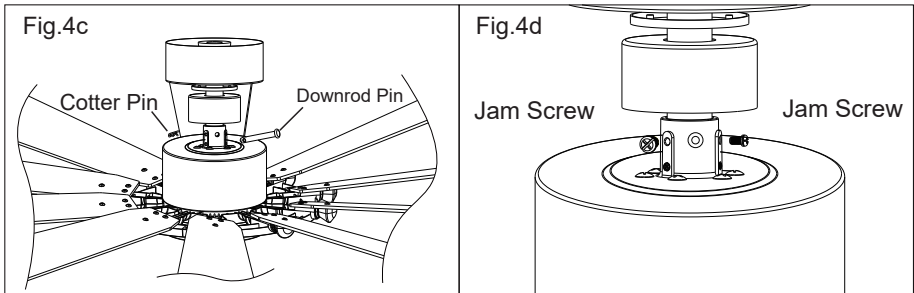
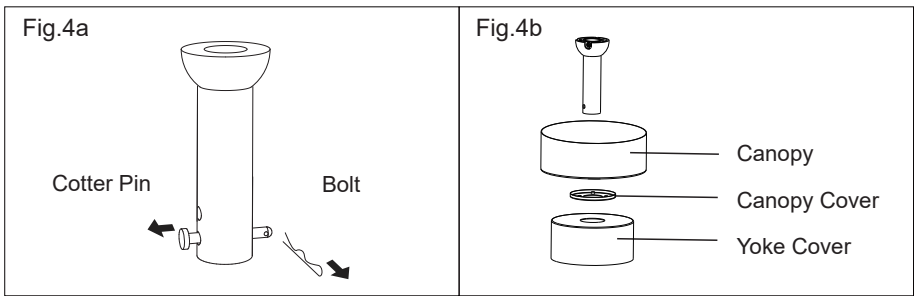
Fig.3a



# Installation Instructions

## Step4 Hanging the fan

- Take out fan downrod. Remove cotter pin and downrod pin from downrod. (Fig.4a)
- Place the downrod inside the canopy, canopy cover, and yoke cover. (Fig.4b)
- Carefully feed the electrical lead wires and safety cable from the fan through the downrod. insert two downrod pin through holes in mounting collar and downrod; clip cotter Pins through small hole in end of downrod pin to hold downrod in place. (Fig.4c)
- Secure downrod in position by tightening the jam screws.(Fig.4d)
- Slide yoke cover down and it will flush with the motor housing.

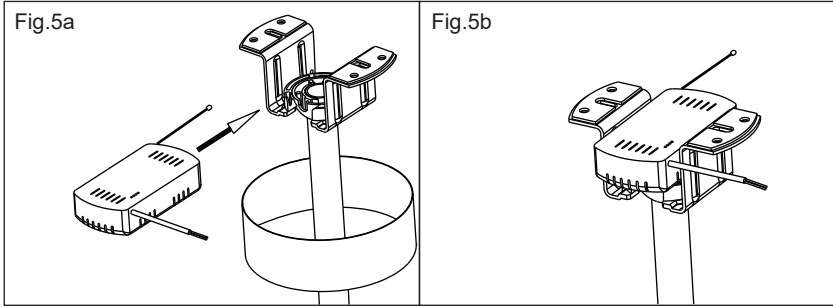


**CAUTION:** To ensure wobble-free operation and to avoid damage to the fan, the downrod and the jam screw must be completely tightened.

# Installation Instructions

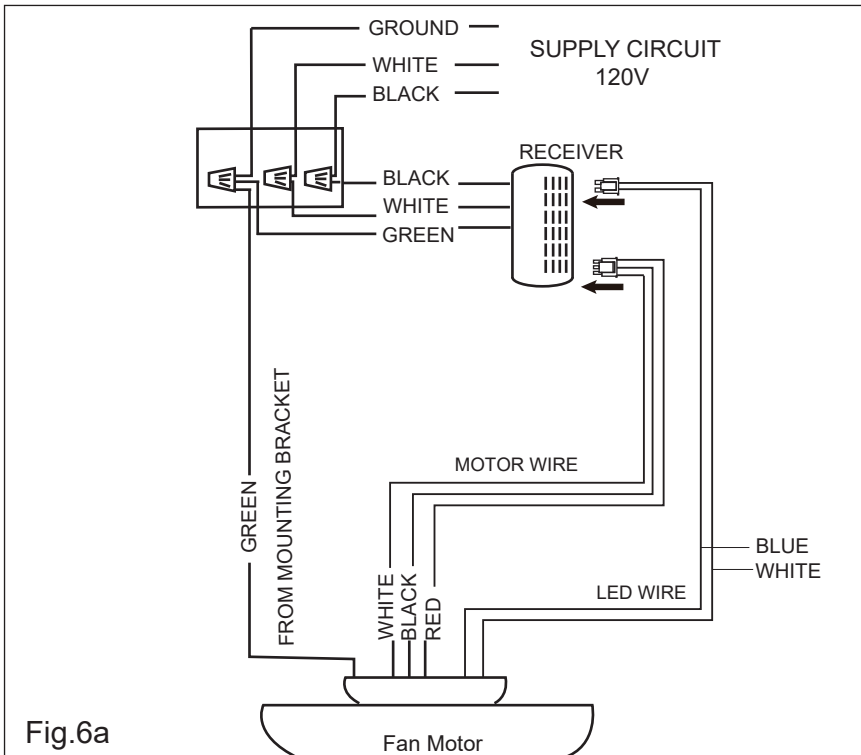
## Step5 Installing the receiver

- Put the receiver in the mounting bracket.



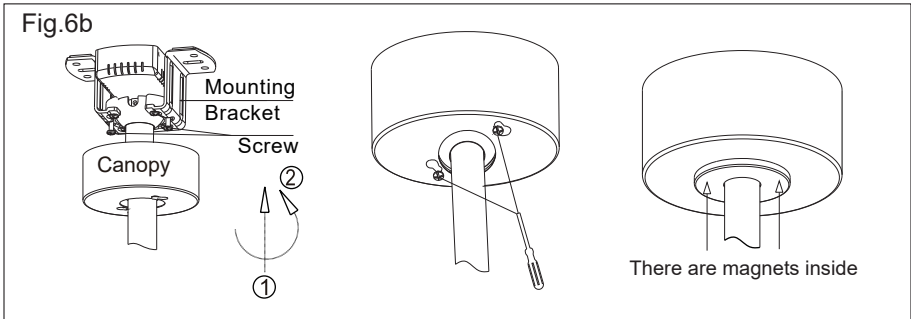
## Step6 Wiring the Fan

- Connect the wires according to the wiring diagram.



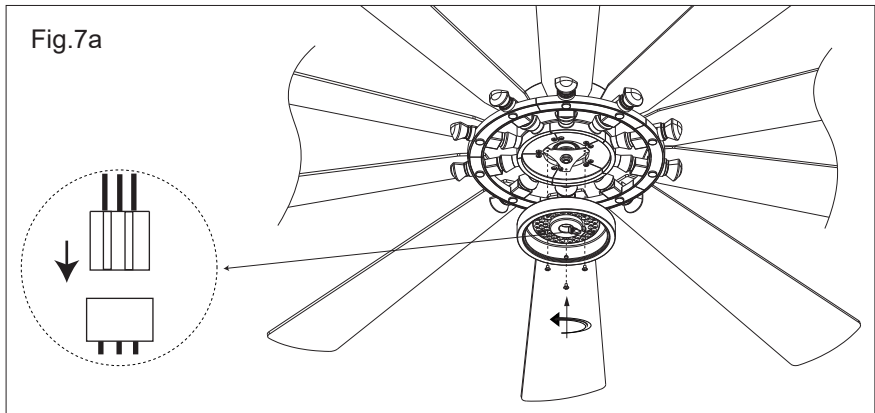
# Installation Instructions

- Slide the Canopy up and secure it to the mounting bracket with the provided screws. Ensure all screws are tightened securely. Push the small lid to the top.AZ



## Step7 Install the lighting fixture

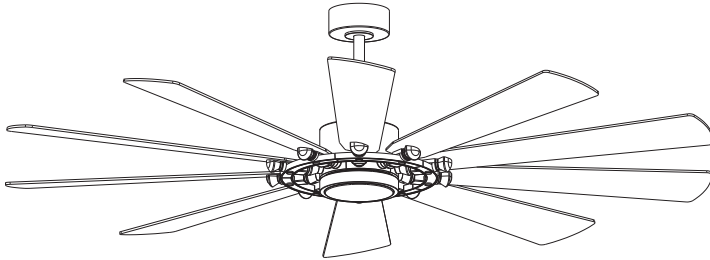
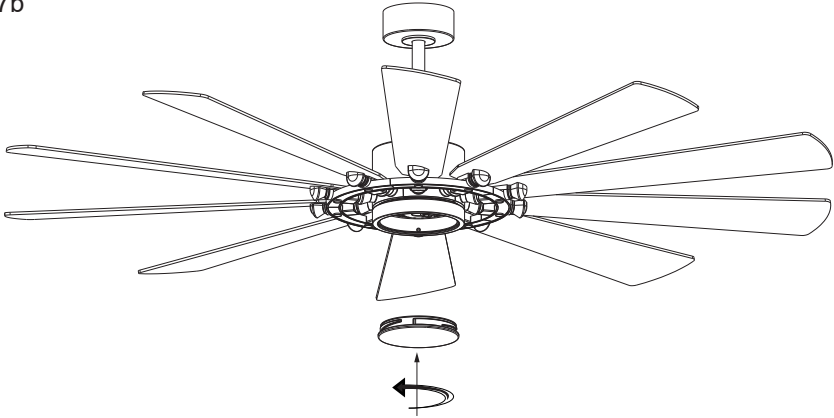
- Connect the motor end plug to the light source end socket.
- Secure the lighting fixture using screws



## Installation Instructions

- Install the lampshade to the lamp housing by turning clockwise to lock it into place.

Fig.7b



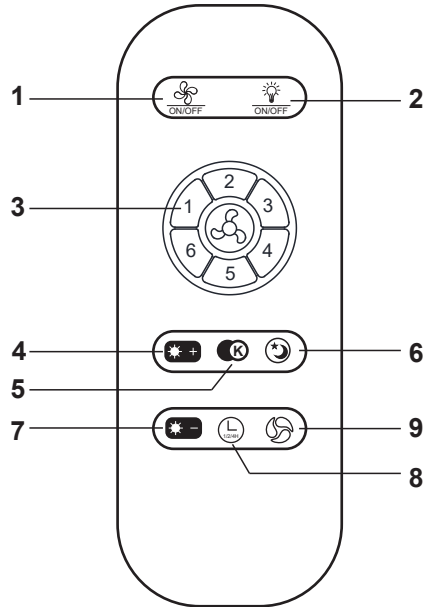
**CONGRATULATIONS!  
YOU HAVE COMPLETED THE INSTALLATION**


# Installation Instructions

## FUNCTION INSTRUCTION OF EMITTER

Open battery cover on the hand-held remote and install battery, pair of AAA of emitter(1.5V) that are not included.

- 1..Fan On/Off
- 2.Light On/Off
- 3.Speed Control
- 4.Brightness +
- 5.Color Temperature Switching
- 6.Night Light Mode
- 7.Brightness -
- 8.Timer 1/2/4 Hour
- 9.Reverse Mode



Turn on the power switch,press the"  " button within 5 seconds.the receiver will emit two 'beep' sounds,the pairing is successful.If not successful,turn off the power for a minute and repeat the above.

When the emitter cannot control the receiver,please check that the batteries are properly installed and making good contact,verify the correct polarity,and have sufficient charge (replace if weak).

When the emitter cannot control the receiver,please check if there are any similar remote-controlled products nearby,then check whether they work,because remote-controlled product with the same frequency will disturb each other.

Please take out the battery from the emitter when leaving unused for long time.

## Troubleshooting Guide

If you have difficulty operating your new ceiling fan it may be the result of incorrect assembly, installation, or wiring. In some cases these installation errors may be mistaken for defects. If you experience any faults please check this troubleshooting guide.

	Problem	Suggested Remedy
1	If fan does not start.	<ul style="list-style-type: none"> <li><input type="checkbox"/> Check the main and branch circuit fuses or circuit breakers.</li> <li><input type="checkbox"/> Check the line wire connections to the fan and switch wire connections in the switch housing.</li> <li><input type="checkbox"/> Check the battery in the remote control.</li> <li><input type="checkbox"/> Ensure you are in the normal range of 10-20 feet.</li> </ul>
2	If fan sounds noisy.	<ul style="list-style-type: none"> <li><input type="checkbox"/> Ensure all motor housing screws are snug.</li> <li><input type="checkbox"/> Ensure the screws that attach the fan blade bracket to the motor hub are tight.</li> <li><input type="checkbox"/> Ensure the wire nut connections are not rattling against each other or the interior wall of the switch housing.</li> <li><input type="checkbox"/> Allow a 24-hour "break-in" period. Most noises associated with a new fan disappear during this time.</li> <li><input type="checkbox"/> If you are using the Ceiling Fan light kit, ensure the screws securing the glassware are tight. Check that the light bulbs are also secure.</li> <li><input type="checkbox"/> Ensure the canopy is a short distance from the ceiling. It should not touch the ceiling.</li> <li><input type="checkbox"/> Ensure your outlet box is secure and rubber isolator pads were used between the mounting plate and outlet box.</li> </ul>
3	If fan wobbles.	<ul style="list-style-type: none"> <li><input type="checkbox"/> Check that all blades are screwed firmly into blade holders.</li> <li><input type="checkbox"/> Check that all blade holders are tightened securely to motor.</li> <li><input type="checkbox"/> Make sure that canopy and mounting bracket are tightened securely to ceiling junction box and junction box is mounted firmly to ceiling joist.</li> <li><input type="checkbox"/> Most fan wobble problems are caused when blade levels are unequal. Check this level by selecting a point on the ceiling above the tip of one of the blades keeping measure within 1/8 in. Rotate the fan until the next blade is positioned for measurement. Repeat for each blade. If all blade levels are not equal you can adjust blade levels by the following procedure. To adjust a blade tip down insert a washer (not supplied) between the blade and blade holder at the screw closest to the motor. To adjust a blade tip up insert washer (not supplied) between the blade and blade holder at the two screws farthest from the motor.</li> <li><input type="checkbox"/> If blade wobble is still noticeable interchanging two adjacent (side by side) blades can redistribute the weight and possibly result in smoother operation.</li> </ul>
4	If light does not work.	<ul style="list-style-type: none"> <li><input type="checkbox"/> Check blue wire from fan to make sure it is connected to hot wire from the house.</li> <li><input type="checkbox"/> Check for loose or disconnected wires in fan switch housing.</li> <li><input type="checkbox"/> Check for loose or disconnected wires in light kit.</li> <li><input type="checkbox"/> Check for faulty light bulbs. CAUTION: Make sure main power is turned off before entering switch housing.</li> <li><input type="checkbox"/> If the fan light shuts off shortly after being switched on it may be due to excessive current demand. Turn off power to the fan and replace the light bulbs with lower wattage bulbs. Turn on power to the fan using the pull chain, wall switch, or remote control (whichever is installed on the particular fan).</li> </ul>

## Balancing Kit

---

Use the balancing kit only if excessive fan wobble persists after completing all the steps under “Attaching the Fan Blades” in your Owner’s Manual.

1. Turn on the fan and set it to the speed where the wobble is most noticeable.
2. Turn off the fan and allow it to come to a complete stop. Select one blade and place the balancing clip halfway between the blade holder and the tip, on the trailing edge.
3. Turn the fan back on and observe whether the wobble has increased or decreased. Repeat the test on each blade, noting which one shows the most improvement.
4. Move the clip back to the blade that showed the greatest improvement. Adjust the clip’s position slightly inward and outward along the blade to find the optimal location.
5. Remove the clip and attach a balancing weight to the top of the blade, near the clip position, along the centerline.
6. If the wobble persists, you may further improve the balance by using the clip and additional weights.

