

OPTION SELECT MODE

Option Select Mode
Press the Menu button to enter Option Select Mode. Each press of the Menu button changes to the next selectable feature. The Dark (D) button and the Quiet (Q) button turns the feature ON/OFF or Blinking for example. A button must be pressed within 20 seconds or Option Select Mode will automatically be exited.

Feature	Display Shows	To Change D=Dark/ Q=Quiet	Option
VG-2	V	D = ON Q = OFF	VG-2=ON VG-2=OFF (default)
ALERT PERISCOPES	.	D or Q to Select	Alert Periscopes (ON, OFF or Blinking)
POP™	P	D = ON Q = OFF	POP™=ON POP™=OFF (default)
SWST™	S	D = ON Q = OFF	SWST™=ON SWST™=OFF (default)
VOICE	VLE	D = E Q = S	VOICE=English (default) VOICE=Spanish
TFSR	t	D = ON Q = OFF	TFSR=ON TFSR=OFF (default)

15

WARRANTY INFORMATION

Consumer Warranty
This Whistler Laser-Radar detector is warranted to the original purchaser for a period of one year from the date of original purchase against all defects in materials and workmanship. This limited warranty is void if the unit is abused, modified, installed improperly, or if the housing and/or serial numbers have been removed. There are no express warranties covering this product other than those set forth in this warranty. All express or implied warranties for this product are limited to the above time. Whistler is not liable for damages arising from the use, misuse, or operation of this product.

NOTE: Units that cannot be repaired will be replaced with the same or similar model. Replacement unit's warranty will be based on the original unit's purchase date.

Service Under Warranty

During the warranty period, defective units will be repaired without charge to the purchaser when returned with a dated store receipt to the address below. Units returned without a dated store receipt will be handled as described in section **"Service Out-Of-Warranty."**

OPTION SELECT MODE

NOTE: To exit Option Select Mode press and hold the menu button.

Reset Features

All user features can be reset to factory settings.

Factory Reset

1. Unplug Power Cord from unit
2. Press and hold Quiet
3. Plug the Power Cord into the unit (Power switch turned on)
4. Wait for 2 beeps
5. Release the Quiet button

Unit is now reset.

Factory Settings are:

- Highway Mode
- Dim/Dark Mode to full illumination of display
- Auto Quiet™ Mode OFF
- VG-2 Detection Mode OFF
- Self Test Mute OFF
- Voice® EN (CR73 Only)
- Alert Periscope to Blink
- POP™ Mode OFF
- SWST™ OFF
- TFSR OFF
- FDSR OFF

TROUBLESHOOTING GUIDE

Your Whistler detector is expertly engineered and designed to exacting quality standards to provide you with reliable, trouble-free operation. If your unit has been correctly installed following the guidelines in this guide, but is not operating optimally, please refer to the troubleshooting guide below.

TROUBLESHOOTING GUIDE

PROBLEM: Unit does not turn on.
Check fuse in plug; replace if necessary with a 2 amp, 3AG type. Check fuse for lighter socket; replace if necessary. Make sure the lighter socket is clean.

PROBLEM: No or low audio.
Cancel Auto Quiet Mode or City Mode. Check audio level setting.

PROBLEM: Unit alarms when vehicle hits bumps.
Check for loose lighter socket; tighten and clean. Check connections at both ends of power cord. Substitute another cord to determine if the cord is defective. Return the defective cord to the factory.

If difficulties occur which cannot be solved by information in this Troubleshooting Guide, please call Whistler Customer Service at 1-800-531-0004 or visit our FAQ page at www.whistlergroup.com before returning your unit for service.

CARE & MAINTENANCE

During the summer months, avoid prolonged exposure to direct sunlight by removing your unit from the dash when your vehicle is parked for an extended period of time. Do not spray water, cleaners, or polishes directly onto the unit. The spray may penetrate through the openings and damage the unit. Also, do not use any abrasive cleaners on the unit's exterior.

ARE DETECTORS LEGAL?

In Most States YES!

Laser-Radar detectors are legal in every state for automobiles and light trucks (under 10,000 lbs.) except Virginia and Washington, D.C., which have local regulations restricting the use of radar receivers in any vehicle.

The Federal Highway Administration (FHWA) passed a nationwide regulation, effective January 1994, which prohibited radar and laser detector use in vehicles over 10,000 lbs.

FCC INFORMATION

FCC ID: HSXWH23

This device complies with part 15 of the FCC Rules.

Operation is subject to the following two conditions:

(1) this device may not cause harmful interference.

(2) this device must accept any interference received, including interference that may cause undesired operation.

IMPORTANT: FCC requirements state that changes or modifications not expressly approved by Whistler could void the user's authority to operate the equipment.

18

WARRANTY INFORMATION

IMPORTANT: When returning your unit for service, be certain to include a daytime telephone number and an email address (if applicable).

Customer Service

If you have questions concerning the operation of your Whistler detector, or require service during or after the warranty period, please call Customer Service at:

1-800-531-0004

Representatives are available to answer your questions Monday - Friday from 8:00 a.m. to 5:00 p.m. (CT) or visit the FAQ at

www.whistlergroup.com.

25

SPEED MONITORING

Radar Facts

A radar gun operates by transmitting radio waves at certain frequencies which reflect off objects and are then picked up by the radar gun's receiving section. When a radar beam reflects off a moving target, a measurable frequency shift occurs. The radar unit converts this shift into miles per hour to determine your vehicle's speed. Currently, the FCC (Federal Communications Commission) permits operation of traffic radar guns at X Band (10.500 - 10.550 GHz), K Band (24.050 - 24.250 GHz), and Ka Band (33.400 - 36.000 GHz).

NOTE: A radar detector will only alarm if an officer is transmitting on any one of the above radar bands.

Laser Facts

It's well documented that many radar guns cannot reliably provide the speed of a targeted vehicle that is traveling in a group of vehicles. In contrast, a laser gun can target a specific vehicle out of a line of traffic and determine its speed. The advantage of laser over radar in terms of target identification is the result of the laser gun's narrow beam. A radar transmission can cover more than a four-lane highway at a distance of 1,000 feet, compared with a laser transmission which covers about 3 feet at the same distance. For best protection, keep these points, listed on the following section, in mind:

19

SPECIFICATIONS

Laser Wavelength:

905 ± 50 nanometers (nm)

Radar Frequencies:

10.500 - 10.550 GHz (X Band)
24.050 - 24.250 GHz (K Band)
33.400 - 36.000 GHz (Ka Superwideband)

Operating Temperature Range:

-10° C to +70° C (+14° F to +158° F)

Power Requirements:

Operational 12 to 15 volts DC, 250mA nominal
Vehicle Battery Saver, 30mA nominal.

For a list of utilized patents please visit our website - www.whistlergroup.com

POP™ Mode is a trademark of MPH Industries, Inc.

SWS™ is a trademark of Safety Warning System L.C.

Specifications are subject to change without notice.

26

SPEED MONITORING

Laser Facts (Continued)

- Because the vehicle's license plate or headlights are the laser gun's primary targets, mounting the Whistler detector on the dashboard can improve laser detection at short range.
- Do not follow closely behind any vehicle. If you can't see past a vehicle ahead of you, chances are your detector won't either.
- The receiving range of laser signals will not be the same as radar signals. Laser guns are most often used at short range.
- Whistler Laser-Radar detectors receive all current laser guns which operate at a laser wavelength of 905 ± 50 nm including but not limited to the following:
 - Ultra Lyte
 - LTI 20-20
 - LTI TruSpeed® S
 - Pro Laser™ I II III
 - Laser Ally
 - Laser Atlanta® Stealth Mode

Other Speed Detection Systems

Several techniques other than radar or laser are used to measure vehicle speeds. When these methods are being used, no detector can provide a warning. These techniques include:

- **Pacing** - A patrol car drives behind you and matches your driving speed.
- **Vascar/Aircraft** - The time it takes a vehicle to travel a known distance is measured.

20

ACCESSORIES

These and other accessories can be ordered directly from Whistler visiting our online store at www.whistlergroup.com.

SPEED MONITORING

Radar Detector Detectors (VG-2) Spectre

The Interceptor VG-2, or simply VG-2, is a microwave receiver used by police to detect signals radiated by the local oscillator of a radar detector. Because its purpose is to identify persons driving with radar detectors, the VG-2 is known as a "radar detector detector". The VG-2 is a tool used by the police to identify radar detector equipped vehicles. If caught, in a state where detectors are illegal, (see Are Detectors legal section in this guide), drivers risk losing their radar detector and receiving a fine. In addition, instant-on radar is almost always used in combination with a VG-2, leaving unsuspecting motorists vulnerable to receiving two tickets—one potentially for speeding, the other for possession of a detector. Having a radar detector capable of detecting the VG-2 may alert you to the presence of a speed trap.

For more information on speed monitoring technologies, please visit our FAQ page on our website: www.whistlergroup.com

It is the responsibility of the individual radar detector operator to know and understand the laws in your area regarding the legality of the use of radar detectors.

NOTE: The newest tool Police have to detect radar detectors is called Spectre. Spectre can detect the majority of undetectable (VG-2) laser/radar detectors on the market.

21

USER GUIDE

CR68/CR73

High Performance LASER-RADAR DETECTOR

The Whistler Group Corporate Headquarters

105 SE 22nd St Suite 7 & 9
Bentonville, AR 72712
Tel 479.273.6012 • Fax 479.273.2927

Whistler Customer Return Center

1412 South 1st St. • Rogers, AR 72756
Customer Service Tel 800.531.0004

www.whistlergroup.com

P/N 260046 07A22

© 2022 The Whistler Group, Inc.



WHISTLER

write serial number in the space provided

27

22

23

24

Units without serial numbers are not covered under warranty.

If you elect not to have your unit repaired, it will be returned to you along with your certified check or money order.

In the event repairs cannot be covered by the minimum service fee, you will be contacted by a Whistler technical service specialist who will outline options available to you.



write serial number in the space provided

Dear Whistler Customer,

If you have questions concerning the operation of this Whistler product please call:

Customer Service

1-800-531-0004

Monday - Friday • 8:00 am - 5:00 pm CT

or visit our website

www.whistlergroup.com

Please keep the receipt in a safe place. You may register your product online at www.whistlergroup.com. For warranty verification purposes, a copy of your dated store receipt must still accompany any unit sent in for warranty work. If the unit is returned without a dated store receipt, an out-of-warranty service charge applies. Note: Your warranty period begins at the time of purchase. The warranty is validated only by the dated store receipt! Please record the serial number of the unit in the space provided in the accessories section of the guide.

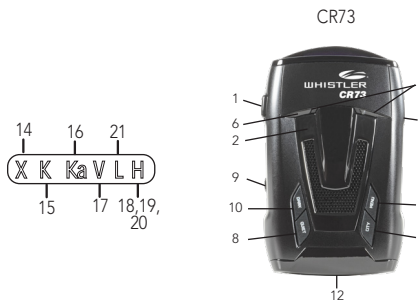
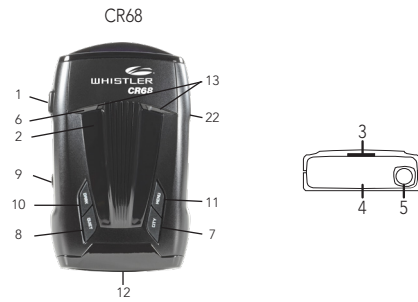
To fully acquaint yourself with the operation of your Whistler detector and to better understand the differences between detecting radar, laser, and safety radar signals, we recommend reading this entire guide or visiting our FAQ. page on our website www.whistlergroup.com

Enjoy your Whistler detector and please drive safely.

Sincerely,
The Whistler Group, Inc.

Model Features Summary	3-5
Installation	5-7
• Mounting Guidelines	
• Windshield Mounting	
• Power Connection and Fuse Replacement	
Operation	8-12
• Power On Self Test & Volume	
• Integrated Real Voice® (CR73 Only)	
• Feature Engaged Confirmation	
• Self Test Mute	
• Setting Saver	
• Auto Quiet Mode	
• Quiet Mode	
• City/City 1/ City 2 Mode	
• Highway Mode	
• FDSR/TFSR Rejection Modes	
• Alert Periscopes	
• Dim/Dark Mode	
• Engaging/Disengaging VG-2 Detection	
• Vehicle Battery Saver Mode	
• Stay Alert	
Laser/Radar Alerts	12-13
• Laser Audio/Visual Alerts	
• Laser Tips	
• Pulse Protection®	
• Safety Warning System™	
VG-2 Alerts	14
POP™ Mode Alerts	14
Option Select Mode	15-16
• Reset Features	
Troubleshooting Guide	16-17
Care and Maintenance	17
Are Detectors Legal?	18
FCC Information	18
Speed Monitoring	19-21
• Radar Facts	
• Laser Facts	
• Other Speed Detection Systems	
Warranty Information	22-25
Specifications	26
Accessories	27

FEATURES



3

4

5

6

7

FEATURE DESCRIPTIONS

- Bracket Release Button** – provides quick and easy release of the mounting bracket.
- Speaker** – provides distinct audio warnings for X, K, Ka band radar, safety warning system, laser and VG-2.
- Mounting Bracket Location** – slot holds mounting bracket firmly.
- Radar Antenna** – compact, high-efficiency antenna receives radar signals.
- Front Laser** – high gain optical lens provides increased sensitivity and field of view for leading-edge laser detection.
- Rear Laser** – an integrated optical waveguide provides superior detection of laser signals transmitted from behind.
- City Button** - reduces the annoyance of false alerts typically encountered in urban driving areas.
- Quiet Button** - pressing QUIET before a radar signal is detected engages Auto Quiet Mode which provides “clicking” sounds after the initial warning. Pressing QUIET during a radar encounter silences audio alerts, while allowing visual alerts to keep you informed.
- Power / Volume Control** - turns unit on/off and adjusts audio level.
- Dim / Dark Mode** - engages Dim/Dark modes.
- Menu Button** - enters option select mode.
- Numeric Icon Display** - combines icon display with a 7 segment digital display that shows signal strength indication and band identification.
- Alert Periscopes** - provide an additional attention getting visual alert.
- X-band Icon** - indicates the unit is receiving a X-band signal.
- K-band Icon** - indicates the unit is receiving a K-band signal.

FEATURE DESCRIPTIONS

- Ka-band Icon** - indicates the unit is receiving a Ka-band signal.
- V** - indicates that the unit is receiving a VG-2 signal. Indicates that VG-2 is engaged.
- H** - indicates unit is in Highway mode.
- C** - indicates that the unit is operating in city mode.
- Signal Strength Icon** - indicates the strength of the signal being detected.
- L** - indicates that the unit is receiving a laser signal.
- Power Jack** - provides connection for the power cord

INSTALLATION

Mounting Guidelines

- Mount the unit as low as possible near the center of the windshield.
- Do not mount the unit behind wipers, ornaments, mirrored sunscreens, etc. These obstructions have metal surfaces which can affect radar and laser signals and reduce critical warning time. (Regular tinted glass does not affect reception).
- Some windshields have an Instaclear™ or Electriclear™ type coating, which affect radar signals. Consult your dealer or the user guide supplied with your vehicle to determine if your windshield has this coating.
- Avoid placing the unit in direct contact with the windshield.
- To reduce the possibility of theft, conceal the unit when not in use.



Rubber Bumper

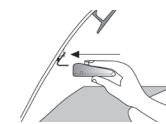
INSTALLATION

Windshield Mounting

- Install the two suction cups and rubber bumper onto the bracket by fitting them into their holes.
- Press the suction cups onto the windshield at the location you have chosen.

IMPORTANT: Some newer cars have a plastic safety coating on the inside of the windshield. The windshield bracket may leave permanent marks on this type of surface. To find out if your vehicle has this type of windshield, check the vehicle’s user guide or ask your dealer. We recommend that you do not leave the suction cup bracket on the window in direct sunlight. If the detector is removed, this may cause blistering of the dash in some vehicles.

- Slide the detector onto the bracket until it locks into place.
- If necessary, the unit may be leveled by bending the windshield bracket. Press the bracket release button and remove the detector before bending.



Windshield Mounting

IMPORTANT: Make sure the unit is level

INSTALLATION

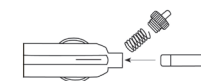
Power Cord Connection

- Plug the small end of the power cord into the unit’s power jack.
- Plug the large end into the vehicle’s cigarette lighter socket.

NOTE: Cord fits tightly into detector. When installing the cord, expect some resistance.

Fuse Replacement

The lighter socket plug is equipped with a replaceable 2 amp, 3AG fuse located behind the silver tip. To replace the fuse, carefully unscrew the tip of the plug.



IMPORTANT: Unscrew slowly. The tip contains a spring which may fly out when disassembling. Insert the new fuse with the spring and screw on the tip. With use, screw cap on plug may loosen. Retighten occasionally.

OPERATION

Power On Self Test & Volume

Each time your Whistler detector is turned on, an automatic self-test sequence confirms that the speaker and visual displays are functional. To increase the volume, continue turning the volume knob.

Integrated Real Voice® (CR73 Only)

When selected, Real Voice® will be used to articulate the following:

- Band Identification
- Safety Warning System messages
- Feature Selection

Voice OFF/ON is selected by holding quiet button for approximately 2 seconds. Voice ON will announce “caution”, Voice OFF will give a double beep.

Feature Engaged Confirmation

Each time a button is pressed, one beep confirms the feature is “on”, two beeps confirm feature “off”.

Self Test Mute

Press the Quiet button during the Self-Test sequence to cancel the Self-Test audio. This will not affect radar/laser alerts. To restore the Self-Test audio, press the Quiet button during the next Self-Test.

8

OPERATION

Setting Saver

Setting Saver stores your personalized settings so that when the detector is turned off and then on again, you do not have to re-enter them.

Auto Quiet Mode

Pressing QUIET before a radar signal is detected provides an alternate alert pattern, consisting of several beeps (indicating X, K, Ka or Safety Warning System) followed by clicking. After 20 seconds of no alerts, the audio is restored for any new alerts.

- Press Quiet (before a signal is detected) to engage Auto Quiet.
- Once the Auto Quiet mode is engaged, you may cancel the audio alarm by pressing Quiet.
- Press Quiet (when the unit is not alarming) to cancel Auto Quiet mode.

Quiet Mode

Pressing Quiet cancels the audio during an alert and any new alert within 20 seconds. After 20 seconds of no alerts, the audio is restored for any new alerts.

- Press Quiet to cancel the audio.
- Press Quiet a second time during an alert to restore the standard audio alert pattern; or turn the unit off, then on.

City/City 1/City 2 Mode

Whistler’s Three Stage City Mode is designed to reduce the annoyance of automatic door openers, intrusion alarms and other devices which share frequencies with police radar. Generally, X band is used for these devices.

- Press City button to cancel Highway Mode and engage City Mode.
- Press City button again to enter City 1 Mode.

9

OPERATION

City/City 1/City 2 Mode(cont’d)

- Press City button again to enter City 2 Mode.
- Press City button a fourth time to cancel City 2 Mode and returns the unit to Highway Mode.

In City Mode, weak speed/safety warning system signals give an initial alarm of two beeps, and then remains quiet unless the signal becomes very strong. When the signal strength increases, two additional beeps are provided. City 1 and City 2 Modes operate the same as Highway Mode, but in City 1 Mode, only the X band sensitivity is lowered. In City 2 Mode, X-band is not detected.

CAUTION: Some towns/small cities may still be using X band radar. City Modes do not change the audio alert for laser.

Highway Mode

Highway mode provides full audio warnings any time radar (X, K, Ka, Safety Warning System) or laser signals are detected, and is recommended for open road driving.

Field Disturbance Sensor Rejection (FDSR) Traffic Flow Sensor Rejection (TFSR)

Recently many new products that operate on police radar frequencies have been causing nuisance alerts to radar detectors. These radar based sensors are installed alongside the Highway and more recently on vehicles used as lane change assist / blind spot detectors / collision avoidance systems. **TFSR** when turned ON is designed to eliminate alerts from specific Traffic Flow sensors. **FDSR** when turned ON is designed to identify all radar based collision avoidance systems that operate within the same band as police radar and provide a brief less intrusive alert to keep you informed and aware.

10

OPERATION

A signal strength indicator will help determine your proximity to the source without the continued annoyance of audio.

We suggest you turn FDSR ON if you are experiencing excessive random false alerts when behind select vehicles.

Alert Periscopes

Whistler’s Alert Periscopes provide an added attention getting visual alert. The two extra LED’s flash on and off when the unit alarms to provide a unique visual alert.

This alert can be programmed through the Option Select Mode to be: ON, OFF, or FLASHING during alerts.

Dim/Dark Mode

Dim/Dark Mode reduces the illumination of the display.

- Press and release the Dark button to reduce illumination to a dim setting.
- Press and release the Dark button a second time to engage Dark Mode. The display illumination is further reduced.

Engaging/Disengaging VG-2

See Option Select Mode to turn this feature on.

Vehicle Battery Saver Mode

The Vehicle Battery Saver Mode automatically shuts off your detector within 6 hours. The timer is reset if the detector is turned off, unplugged or any button is pressed before the time has expired. The detector will alert you with an audible and visual warning before it shuts off. During this warning you can reset the timer by pressing any button.

11

OPERATION

Stay Alert Feature

The Stay Alert Feature is designed to test a driver’s alertness. To engage (when the unit is not alarming):

- Press and hold the City button for approximately 2 seconds. Release button during or immediately after the alert is given.

The “H” or “C” will flash indicating Stay Alert is activated. Within 30-60 seconds, two beeps are sounded; to show alertness, the driver must press either the City, Menu, or Quiet buttons within 3-5 seconds. If a button is pressed within 3-5 seconds, the cycle is repeated.

If a button is not pressed within 3-5 seconds, an alarm sounds and the display flashes all the LEDs.

- Press the Dark button to exit the Stay Alert feature.

WARNING!!! Stay Alert is NOT intended as a substitute for adequate rest. You should NOT operate a vehicle if you are drowsy. During extended periods of vehicle operation, you should take frequent breaks. Improper reliance on the Stay Alert feature may result in vehicle damage, personal injury or death.

LASER/RADAR ALERTS

Laser Audio / Visual Alerts

When a laser signal is detected, the unit indicates an “L” on the display. The audio alert is continuous for a minimum of 3 seconds.

Laser Tips

If you are the targeted vehicle, a laser gun can often determine your speed within a few seconds after you

12

LASER/RADAR ALERTS

receive an alert. In this situation there is generally no time to safely adjust your speed. However, if you are traveling near or behind the targeted vehicle and receive an alert, response time should be sufficient. Any laser alert, regardless of duration, requires immediate action!

Pulse Protection®

Pulse (or instant-on) radar is more difficult to detect than conventional radar because it remains “off” until activated to measure the speed of a targeted vehicle. When a pulse type transmission is detected, your Whistler detector sounds an urgent 3-second audio warning and a “P” will be displayed. After the 3-second pulse alert, the standard alert pattern continues for as long as the signal is present. It is important to respond promptly to a pulse alert, since warning time may be minimal.

Safety Warning System/Audio/Visual Alerts

When your Whistler detector detects a safety warning system, it provides a distinctive audio tone and the Numeric Icon display shows an “S.” and a decimal point when a Safety warning system is detected.



NOTE: You will be able to receive SWST™ alerts if transmitters are located in your area.

13

VG-2 ALERTS

VG-2 Detection Mode

The VG-2, also known as a “radar detector detector,” is a special receiver used by police to detect signals radiated by a radar detector. See Radar Detector Detectors (VG-2) Spectre section for more information on VG-2.

When a VG-2 signal is detected, the VG-2 alert is sounded. After 3 seconds, the audio is cancelled and the VG-2 indicator flashes at a slower rate. Every 30 seconds, the detector checks for a VG-2 signal. This cycle is repeated if the VG-2 signal is detected again. If no signal is detected, two beeps are provided indicating an “all clear” condition.

During the period a VG-2 signal is detected, a radar signal cannot be detected. However, because the VG-2 alert has confirmed that a patrol car is nearby, you are already aware of the potential for speed monitoring and can adjust your speed accordingly. Laser detection is not affected while a VG-2 signal is detected.

POP™ MODE ALERTS

POP™ Mode Alerts

Because POP™ Mode radar utilizes the same K or Ka band frequencies, POP™ Mode Alerts will be displayed as regular radar alerts.

14