
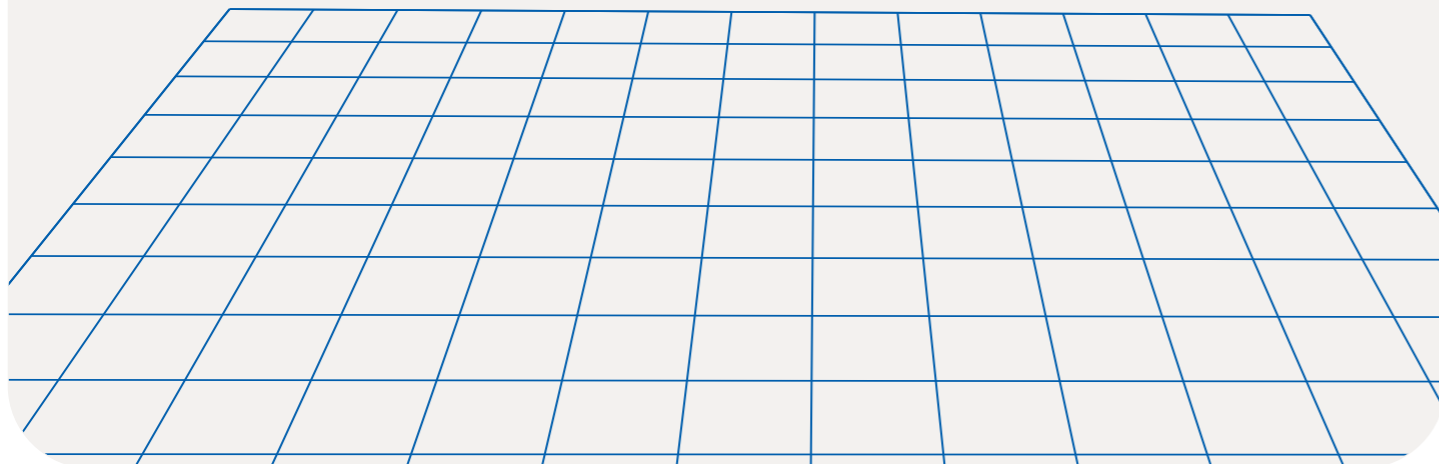


# Work like new

 1-855-585-5618

Monday-Friday from 7:00am-9:00pm PST-DST  
Monday-Friday from 7:00am-8:00pm PST-WT



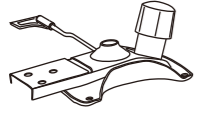


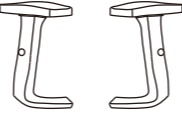
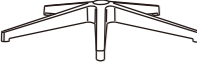
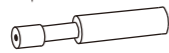







## Ergonomic Office Chair

Item No. OC3FM

## User Manual

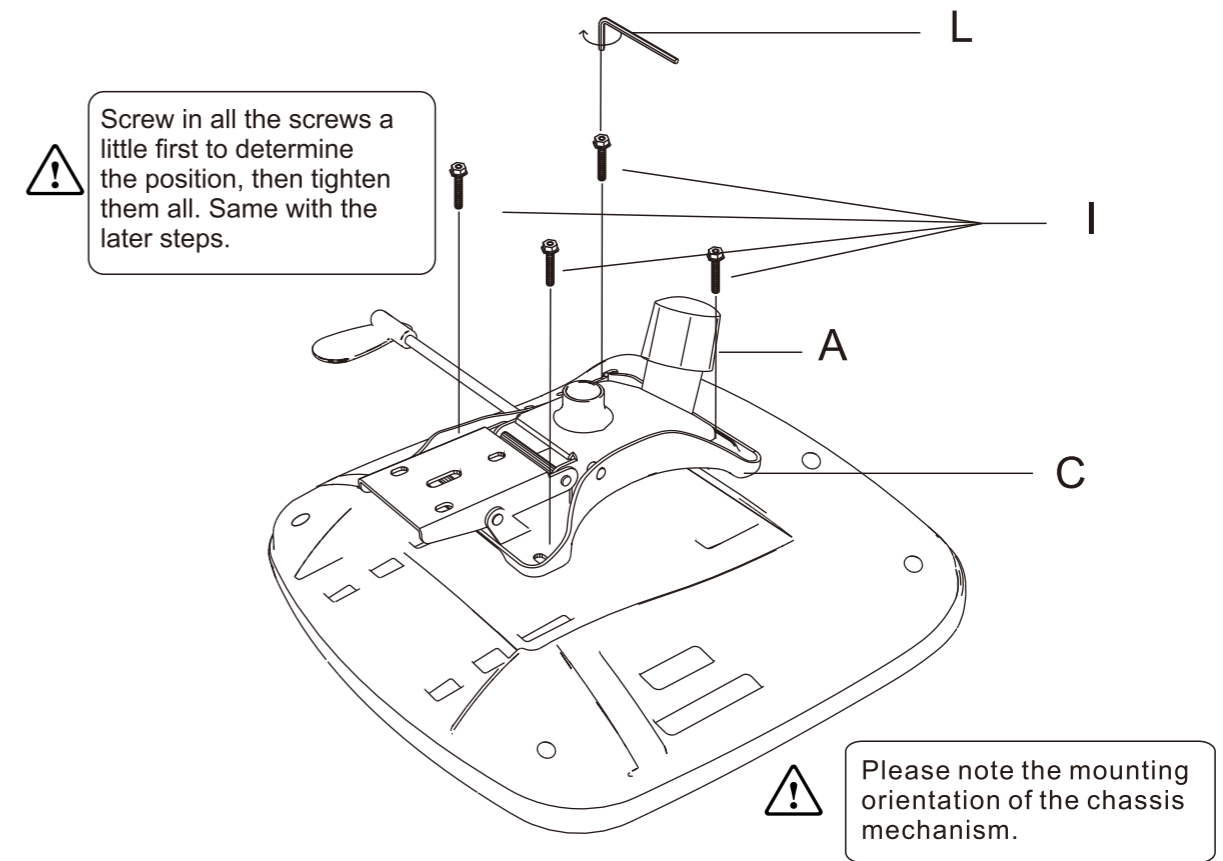


# PARTS

<p>A</p>  <p>X1</p>	<p>B</p>  <p>X1</p>	<p>C</p>  <p>X1</p>	<p>D</p>  <p>X2</p>
Mechanism	Backrest	Seat Cushion	2D PU Armrest
<p>E</p>  <p>X1</p>	<p>F</p> <p>Before assembling , take it out .</p>  <p>X1</p>	<p>G</p>  <p>X6</p>	<p>H</p>  <p>X3</p>
Nylon Base	Gas Lift	Screw M6X35mm	Screw M8X18mm
<p>I</p>  <p>X4</p>	<p>K</p>  <p>X5</p>	<p>L</p>  <p>X2</p>	<p>O</p>  <p>X1</p>
Screw M6X30mm	Nylon Wheel	L Shape Wrench	Headrest
<p>Q</p>  <p>X1</p>			
Clothes Hanger			

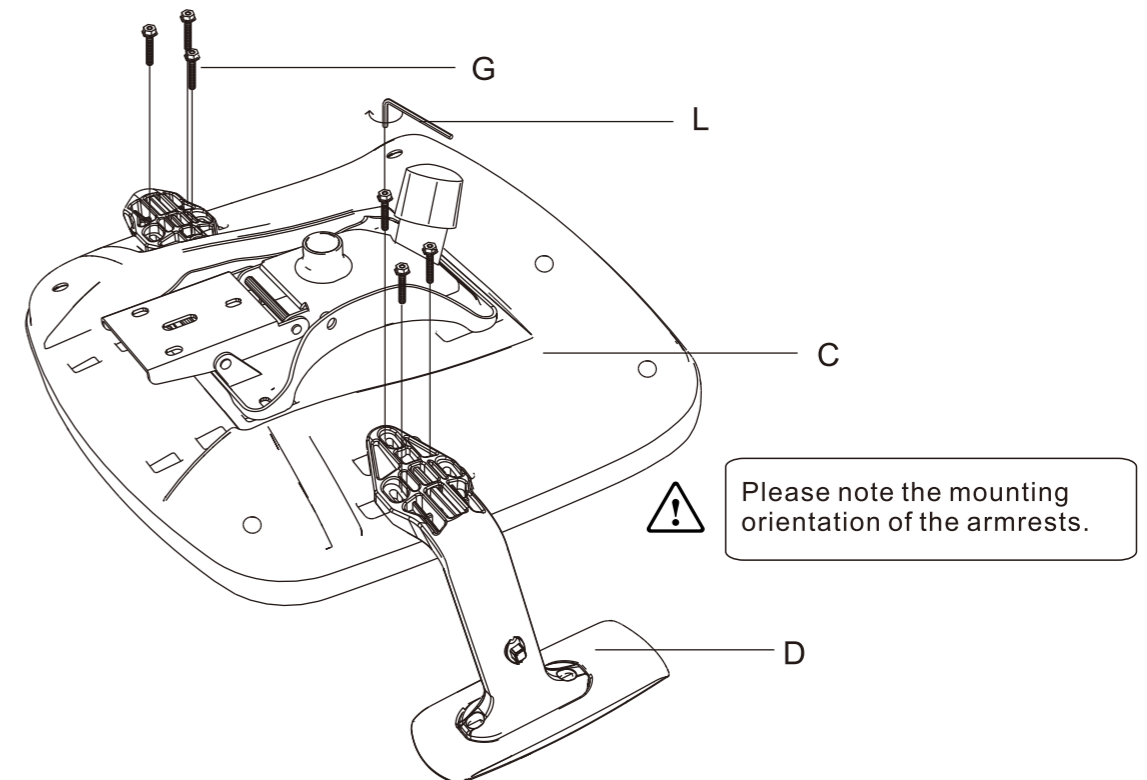
## Step 1: Connecting the mechanism to the seat cushion

Connect Mechanism (A) to the Seat cushion (C) using 4 pcs screws (I).



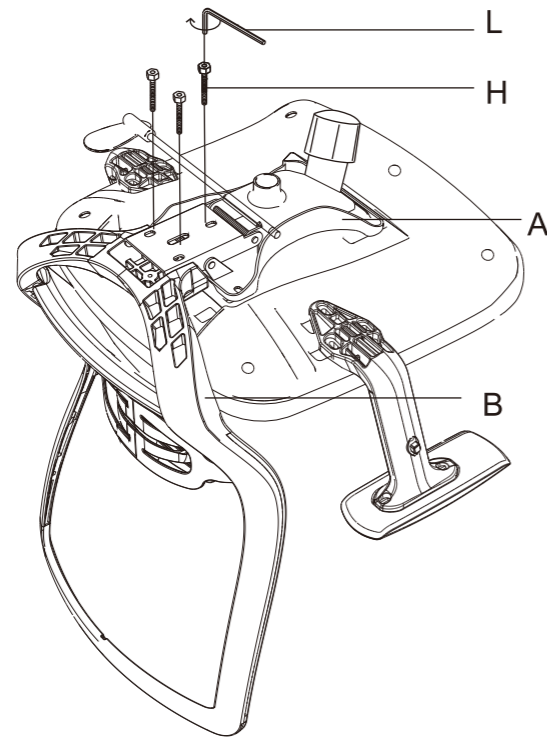
## Step 2: Installing Armrest to Seat Cushion

Connect 2D PU Armrest (D) to the Seat cushion (C) using 6 pcs screws (G).



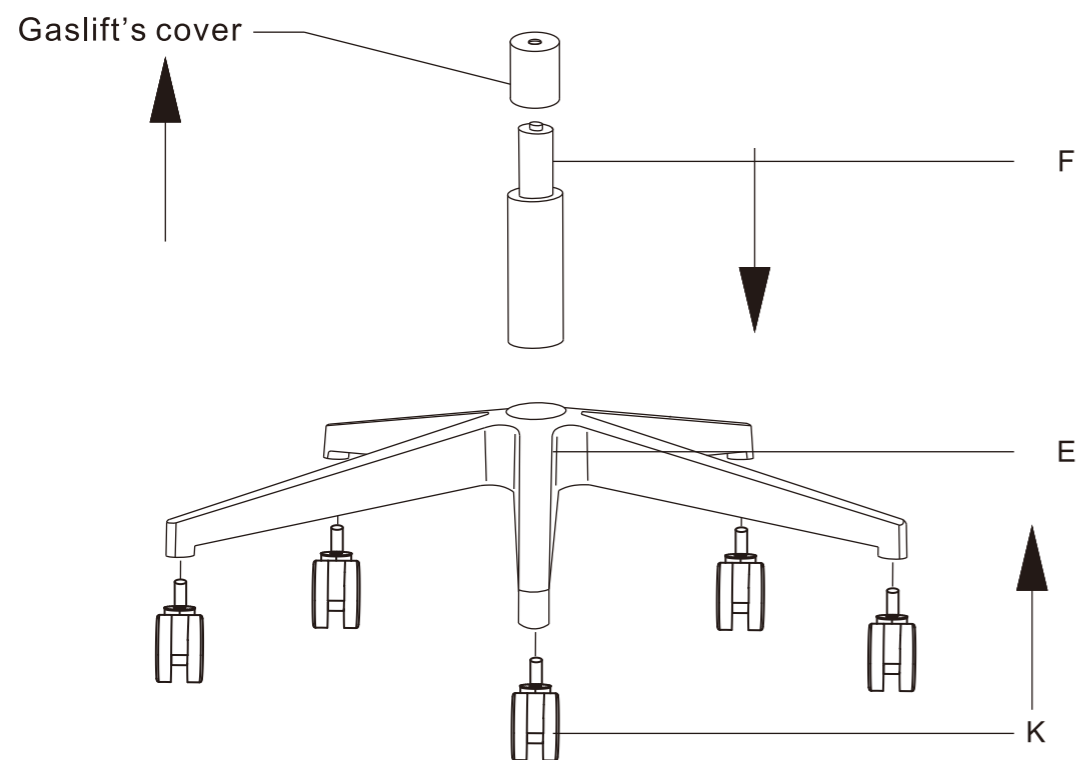
### Step 3: Attaching Backrest to Seat Cushion

Attach the Backrest (B) to the Mechanism (A) and lock them with 3 pcs screws (H) as shown below.

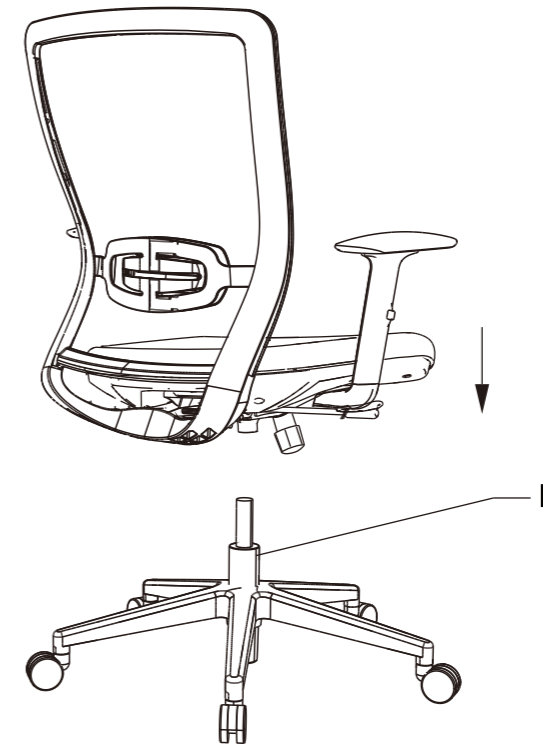


### Step 4: Installing Gas Lift and Wheels to Nylon Base

Before assembly, taking out gaslift's cover from gas lift (F).

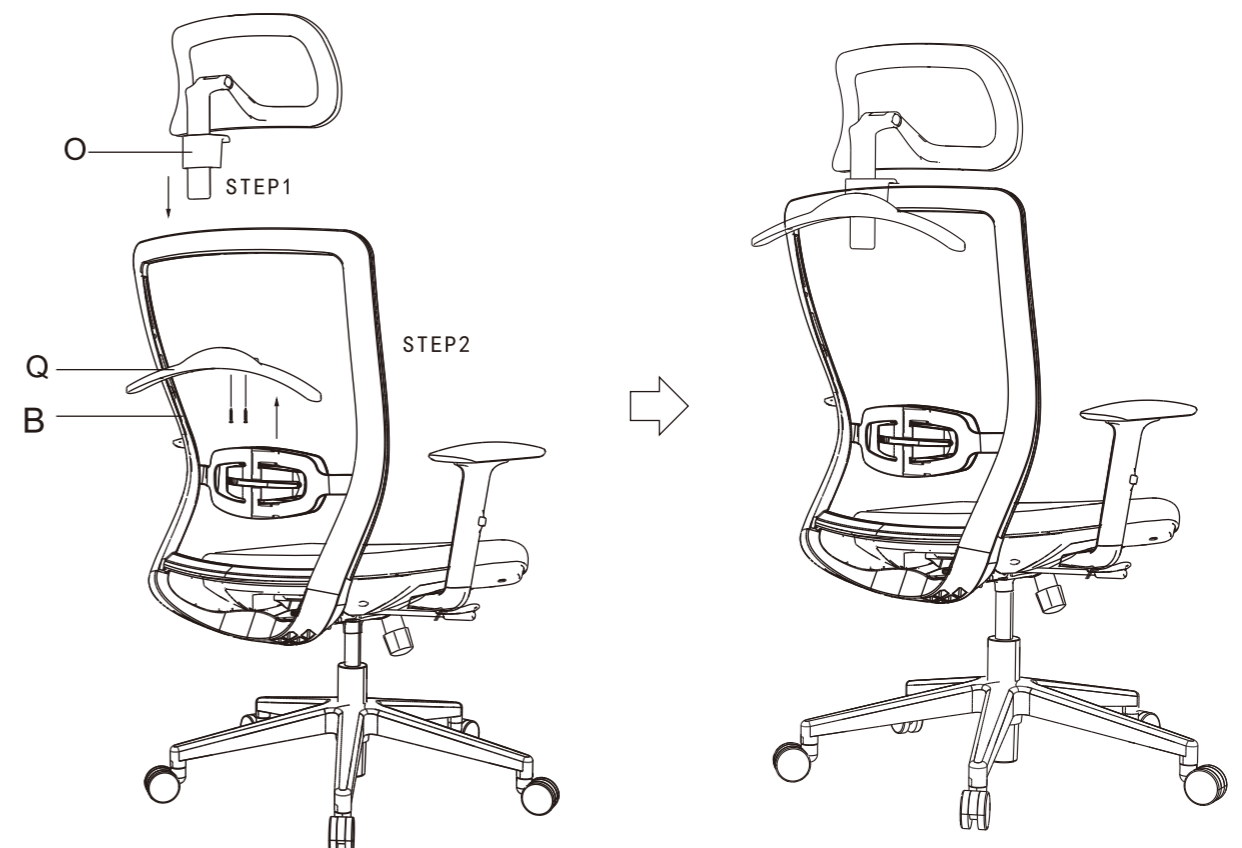


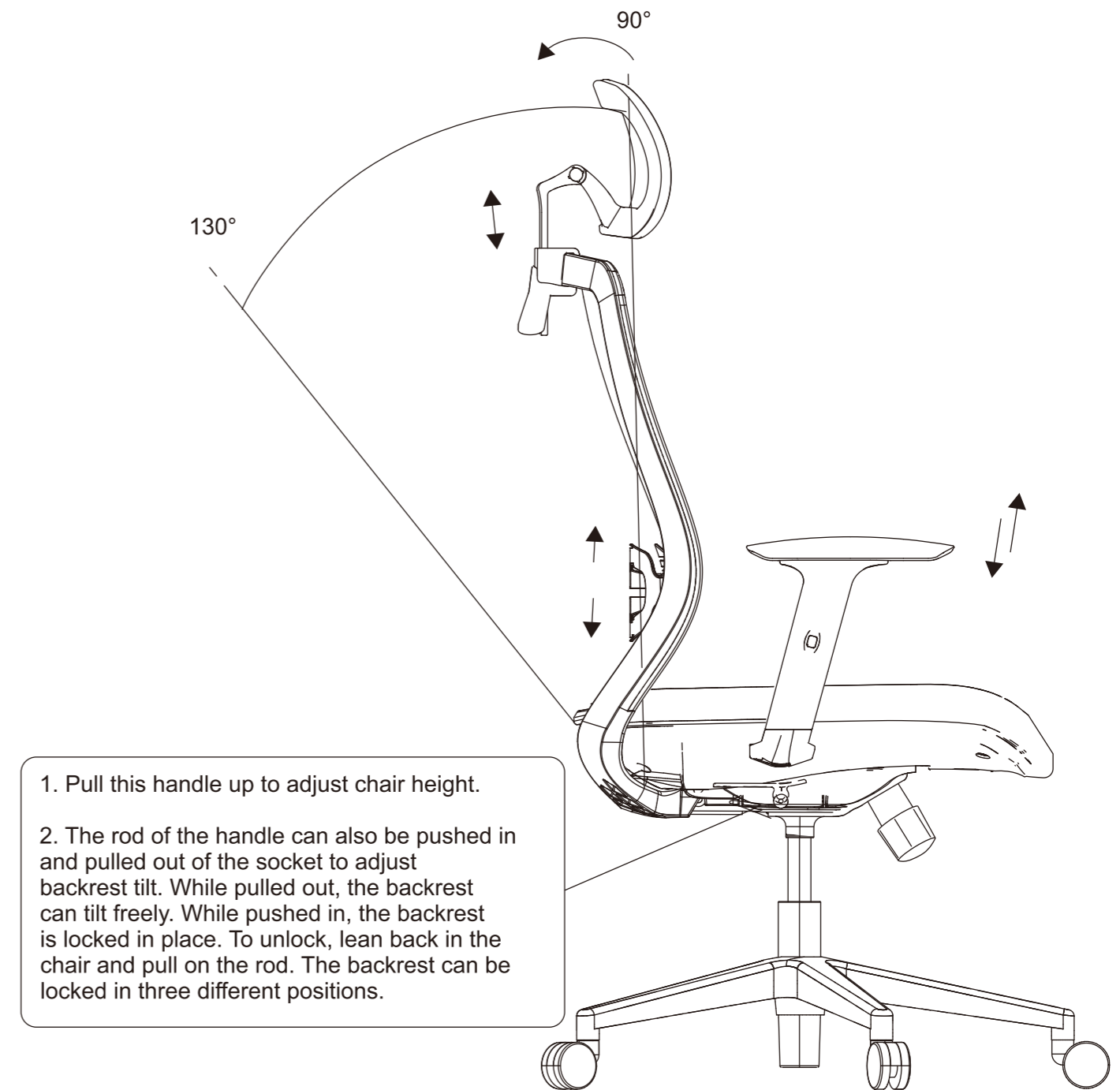
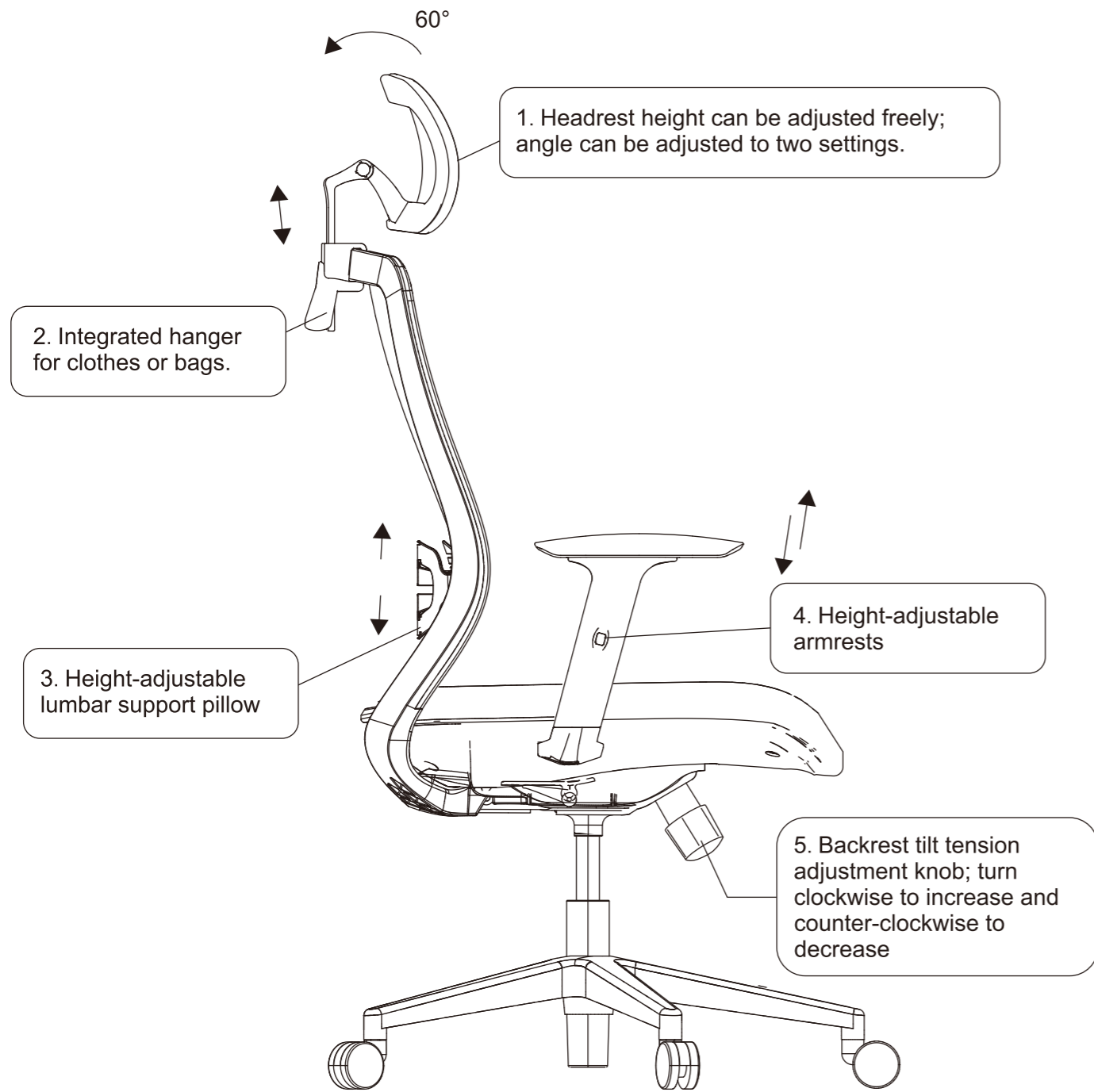
### Step 5: Installing the Chair Body on the Gas Lift F



### Step 6: Installing Headrest and Clothes Hanger

Before assembly, taking out the 2 screws from the headrest (O). Then, attaching the headrest (O) to the backrest (B) and attaching clothes hanger (Q) to it using 2 screws as shown below.





## Limited Warranty

This limited warranty offered by us covers defects in material or workmanship in new products. This warranty extends to the original purchaser only and is non-transferable. Only consumers purchasing products from authorized our retailers or resellers may benefit from our limited warranty.

### What is Covered?

The limited warranty covers our products against defects in material or workmanship as follows:

#### ·Height Adjustable Desk Frames

All height-adjustable desks feature a 5-year warranty for the frame & motor and a 2-year warranty for the controller, switch, electronics and other mechanisms.

#### ·Sit-Stand Desktop Workstations

All sit-stand desktop workstations feature a 5-year warranty for the frame and MDF desktop and 3-year warranty for the gas spring system and other mechanisms.

#### ·Sit-Stand Desktop Workstations

All sit-stand desktop workstations feature a 5-year warranty for the frame and MDF desktop and 3-year warranty for the gas spring system and other mechanisms.

#### ·Office Charis

All chairs feature a 3-year warranty for chair body, and other mechanisms.

#### ·Mini Steppers

All Mini Steppers feature a 3-year warranty.

#### ·Monitor Mounts

All monitor mounts and parts, including arms, gas spring systems and other mechanisms, feature a 5-year warranty.

### What are your Remedies?

We will replace at no charge to the consumer the defective parts only or, at our option, replace any product or part of the product that is defective because of improper workmanship and/or material, under normal installation, use, service and maintenance. If We are unable to provide a replacement and repair is not practical or cannot be completed in a timely fashion, We may elect to refund the purchase price in exchange for the return of the product. In the rare event that your product is defective, we will provide you with a replacement item shipped at no cost to you within the continental United States. The shipping method for replacement products is FedEx Ground, but expedited shipping is available if you choose to pay the additional expense. In addition, you will need to pay the shipping costs if any products need to be shipped to you at an address outside the continental United States.

**REPAIR OR REPLACEMENT (OR, IN LIMITED CIRCUMSTANCES, REFUND OF THE PURCHASE PRICE) AS PROVIDED UNDER THIS WARRANTY IS THE EXCLUSIVE REMEDY OF THE PURCHASER. WE NEITHER ASSUMES NOR AUTHORIZES ANY PERSON TO CREATE FOR ANY OTHER OBLIGATION OR LIABILITY IN CONNECTION WITH THIS PRODUCT.**

## Limited Warranty

### What is Not Covered?

Our limited warranty does not cover any problem that is caused by:

1. Conditions, malfunctions or damage not resulting from defects in material or workmanship.
2. Conditions, malfunctions or damage resulting from normal wear and tear, improper installation, improper maintenance, misuse, abuse, negligence, accident or alteration.
3. Accessories, connected materials and products, or related products not manufactured by us.
4. Conditions, malfunctions or damage resulting from failure to follow the instructions and guidelines relating to the product's intended use.

Our limited warranty is void if a product is returned with removed, damaged or tampered labels or any alterations (including removal of any component or external cover).

### How to File a Claim?

In order to receive the benefit of our limited warranty, you need to process your claim in compliance with the terms of this limited warranty and follow proper return procedure. To request warranty service, please contact customer service via toll free at 1-855-585-5618. You will need to provide the sales receipt or other evidence of the date and place of purchase for your product.

### Implied Warranties and Limitation of Damages

**EXCEPT TO THE EXTENT PROHIBITED BY APPLICABLE LAW, ALL IMPLIED WARRANTIES (INCLUDING WARRANTIES OF MERCHANTABILITY AND FITNESS FOR A PARTICULAR PURPOSE) SHALL BE LIMITED IN DURATION TO THE DURATION OF THIS WARRANTY, AND WE SHALL NOT BE LIABLE FOR ANY INCIDENTAL, INDIRECT, SPECIAL, OR CONSEQUENTIAL DAMAGES, INCLUDING BUT NOT LIMITED TO LOSS OF PROFITS OR REVENUE, RESULTING FROM ANY BREACH OF EXPRESS OR IMPLIED WARRANTY OR CONDITION, OR UNDER ANY OTHER LEGAL THEORY, EVEN IF WE HAS BEEN ADVISED OF THE POSSIBILITY OF SUCH DAMAGES.** Some jurisdictions do not allow limitations on the duration of an implied warranty or the exclusion or limitation of special, indirect, incidental or consequential damages, so the above limitations or exclusions may not apply to you.

### Governing Law

This Warranty shall be governed by the laws of the State of California, USA, without giving effect to any conflict of laws principles that may provide the application of the law of another jurisdiction.

### How State Law Applies

This Warranty gives you specific legal rights, and you may also have other rights which vary from state to state.