



## Whynter MultiCool Smart Control Enabled Portable Air Conditioner with Built-in Dehumidifier and Heating Function\*

MODELS: ARC-0850XP | ARC-1050XP | ARC-1050XPH\*



Congratulations on your new Whynter product. To ensure proper operation, please read this Instruction Manual carefully before using this product. Keep this manual in a safe place for future reference.



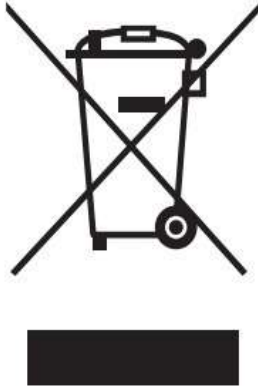
**IMPORTANT NOTE:**

Before using your air conditioner, please read this manual carefully and keep it for future reference.

## DISPOSAL INFORMATION

Thank you for choosing Whynter. Please follow the instructions provided in this user manual to obtain the very best performance from your portable air conditioner. We trust that your Whynter portable air conditioner will provide the performance and reliability that we stand for.

Please keep this user manual in a safe place for future reference.



This symbol on the product or its packaging indicates that this appliance cannot be treated as normal domestic trash, but must be handed in at a collection point for recycling electric and electronic appliances. Your contribution to the correct disposal of this product protects the environment.

Further information about the recycling of this product can be obtained from your local municipal authority.

### Supplier's Declaration of Conformity 47 CFR § 2.1077 Compliance Information

**Unique Identifier:** RG51F2(2)/EFU1

**Responsible Party - U.S. Contact Information**

Brand: Whynter Company Name: Whynter LLC.

Address: 3320 E Birch Street, Brea CA 92821

Internet contact information: <https://www.whynter.com>

**FCC Compliance Statement**

This device complies with Part 15 of the FCC Rules. Operation is subject to the following two conditions: (1) This device may not cause harmful interference, and (2) this device must accept any interference received, including interference that may cause undesired operation.

## TABLE OF CONTENTS

	<u>Page 4</u>
SAFETY PRECAUTIONS	4 - 10
SPECIFICATIONS	11
INTRODUCTION	12
LIST OF INSTALLATION PARTS AND ACCESSORIES	13
INSTALLATION GUIDE	14 - 16
CONTROL PANEL	17 - 18
REMOTE CONTROL	19 - 20
CARE AND MAINTENANCE	20 - 21
STORAGE	22
TROUBLESHOOTING	23
WARRANTY	24

### Explanation of Symbols



**WARNING** This symbol indicates the possibility of personnel injury or loss of life.



**CAUTION** This symbol indicates the possibility of property damage or serious consequences.

## SAFETY PRECAUTIONS

To prevent death or injury to the user or other people and property damage, the following instructions must be followed. Incorrect operation due to ignoring of instructions may cause death, harm or damage.

- Installation must be performed according to the installation instructions. Improper installation can cause water leakage, electrical shock, or fire.
- Use only the included accessories and parts, and specified tools for the installation. Using non-standard parts can cause water leakage, electrical shock, fire, and injury or property damage. Make sure that the outlet you are using is grounded and has the appropriate voltage.
- The power cord is equipped with a three-prong grounding plug to protect against shock.
- Voltage information can be found on the nameplate of the unit.
- Your unit must be used in a properly grounded wall receptacle. If the wall receptacle you intend to use is not adequately grounded or protected by a time delay fuse or circuit breaker (the fuse or circuit breaker needed is determined by the maximum current of the unit. The maximum current is indicated on the nameplate located on unit), have a qualified electrician install the proper receptacle.
- Install the unit on a flat, sturdy surface. Failure to do so could result in damage or excessive noise and vibration. The unit must be kept free from obstruction to ensure proper function and to mitigate safety hazards.
- Do not modify the length of the power cord or use an extension cord to power the unit.
- Do not share a single outlet with other electrical appliances. Improper power supply can cause fire or electrical shock.
- Do not install your air conditioner in a wet room such as a bathroom or laundry room. Too much exposure to water can cause electrical components to short circuit.
- Ensure there is a minimum of 36" clearance around the unit and is clear from any combustible items such as propane, fire extinguishers, fuel, etc.
- The exhaust hose should always be used and should never be covered or blocked which can become a fire hazard.
- The unit has wheels to facilitate moving. Make sure not to use the wheels on thick carpet or to roll over objects, as these could cause tipping.
- Do not operate a unit that it has been dropped or damaged.
- Do not place the portable air conditioner close to any other heat generating appliances
- Do not touch the unit with wet or damp hands or when barefoot.
- If the air conditioner is knocked over during use, turn off the unit and unplug it from the main power supply immediately. Visually inspect the unit to ensure there is no damage. If you suspect the unit has been damaged, contact a technician or customer service for assistance.
- In a thunderstorm, the power must be cut off to avoid damage to the machine due to lightning.
- Your air conditioner should be used in such a way that it is protected from moisture. e.g. condensation, splashed water, etc. Do not place or store your air conditioner where it can fall or be pulled into water or any other liquid. Unplug immediately if it occurs.
- All wiring must be performed strictly in accordance with the wiring diagram located inside of the unit.
- The unit's circuit board (PCB) is designed with a fuse to provide overcurrent protection. The specifications of the fuse are printed on the circuit board, such as: T 3.15A/250V, etc.
- When the water drainage function is not in use, keep the upper and the lower drain plug firmly plugged into to the unit to prevent choking.

## CAUTION

- This appliance is not intended for use by persons (including children) with reduced physical, sensory or mental capabilities or lack of experience and knowledge, unless they have been given supervision or instruction concerning use of the appliance by a person responsible for their safety. Children should be supervised to ensure that they do not play with the appliance.
- Children must be supervised around the unit at all times.
- If the supply cord is damaged, it must be replaced by the manufacturer, its service agent or similarly qualified persons in order to avoid a hazard.
- Prior to cleaning or other maintenance, the appliance must be disconnected from the supply mains.
- Do not remove any fixed covers. Never use this appliance if it is not working properly, or if it has been dropped or damaged.

## CAUTION

- Do not remove any fixed covers. Never use this appliance if it is not working properly, or if it has been dropped or damaged. Do not run cord under carpeting. Do not cover cord with throw rugs, runners, or similar coverings. Do not route cord under furniture or appliances. Arrange cord away from traffic area and where it will not be tripped over.
- Do not operate unit with a damaged cord, plug, power fuse or circuit breaker. Return to an authorized service facility for examination and/or repair.
- To reduce the risk of fire or electric shock, do not use this fan with any solid-state speed control device.
- The appliance shall be installed in accordance with national wiring regulations.
- Contact the manufacturer or authorized service technician for repair or maintenance information of this unit.
- Contact the manufacturer or authorized installer for installation questions of this unit.
- Do not cover or obstruct the inlet or outlet grilles.
- Do not use this product for functions other than those described in this instruction manual.
- Before cleaning, turn off the power and unplug the unit.
- Disconnect the power if strange sounds, smell, or smoke comes from it and contact the manufacturer or authorized service technician for assistance.
- Do not press the buttons on the control panel with anything other than your fingers.
- Do not remove any fixed covers. Contact Whynter Customer Support if this unit if it is not working properly, or if it has been dropped or damaged.
- Do not operate or stop the unit by inserting or pulling out the power cord plug.
- Do not use hazardous chemicals to clean or come into contact with the unit. Do not use the unit in the presence of inflammable substances or vapor such as alcohol, insecticides, petrol, etc. Always transport your air conditioner in a vertical position and stand on a stable, level surface during use.
- Always contact Whynter Customer Support for replacement parts compatible with your unit. Hold the plug by the head of the power plug when taking it out.
- Turn off the product when not in use.

## WARNING

- The appliance shall be stored in a room without continuously operating ignition sources (for example: open flames, an operating gas appliance or an operating electric heater).
- Do not pierce or burn the unit.
- Be aware that the refrigerants may not contain an odor.

## SAFETY COMPLIANCE

- Keep ventilation openings clear of obstruction.
- The appliance shall be stored so as to prevent mechanical damage from occurring.
- A warning that the appliance shall be stored in a well-ventilated area where the room size corresponds to the room area as specified for operation.
- Any person who is involved with working on or breaking into a refrigerant circuit should hold a current valid certificate from an industry-accredited assessment authority, which authorizes their competence to handle refrigerants safely in accordance with an industry recognized assessment specification.
- Servicing shall only be performed as recommended by the equipment manufacturer.
- Maintenance and repair requiring the assistance of other skilled personnel shall be carried out under the supervision
  - of the person competent in the use of flammable refrigerants.
- Please follow the instructions carefully to handle, install, clear, and service the air conditioner to avoid any damage or hazard. Flammable Refrigerant R32 is used within air conditioner. When maintaining or disposing the air conditioner,
  - the refrigerant (R32) shall be recovered properly and shall not discharge to air directly.
  - No any open fire or device which may generate spark/arcing shall be around air conditioner to avoid causing ignition
    - of the flammable refrigerant used.
- Please follow the instruction carefully to store or maintain the air conditioner to prevent mechanical damage from occurring. Flammable refrigerant R32 is used in air conditioner. Please follow the instruction carefully to avoid any hazard. For specific information on the type of gas and the amount, please to the relevant label on the unit itself.

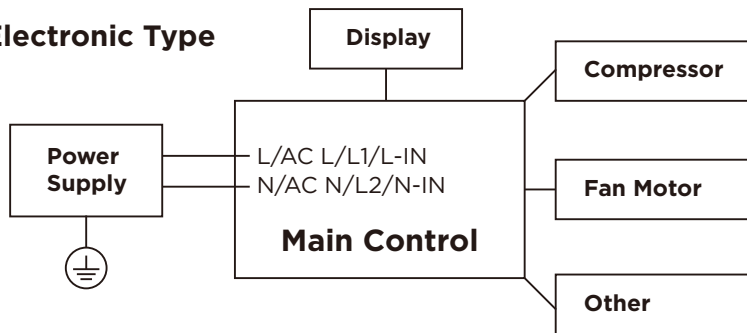
## ELECTRONIC WORK



### WARNING:

BEFORE PERFORMING ANY ELECTRICAL OR WIRING WORK, TURN OFF THE MAIN POWER TO THE SYSTEM.

### Electronic Type



Please strictly follow the wiring label attached to the machine for all wiring connections. The wiring diagram may vary for different unit. Please refer to the wiring diagram on the machine you have purchased. The above wiring diagram is a simplified version for preliminary illustration purposes only.

## WARNING FOR USING R32 REFRIGERANT

- Do not use means to accelerate the defrosting process or to clean, other than those recommended by the manufacturer.
- The appliance shall be stored in a room without continuously operating ignition sources (for example: open flames, an operating gas appliance or an operating electric heater).
- Do not pierce or burn.
- Be aware that the refrigerants may not contain an odour.
- Appliance should be installed, operated and stored in a room with a floor area according to the amount of refrigerant to be charged. For specific information on the type of gas and the amount, please refer to the relevant label on the unit itself.  
When there are differences between the label and the manual on the Min. room area description, the description on label shall prevail.
- Appliance shall be installed, operated and stored in a room with a floor area larger than 4 m<sup>2</sup>.  
Appliance shall not be installed in an unventilated space, if that space is smaller than 4 m<sup>2</sup>.
- No any open fire or device like switch which may generate spark/arcing shall be around appliance to avoid causing ignition of the flammable refrigerant used. Please follow the instructions carefully when storing or maintaining the appliance to prevent mechanical damage from occurring.



**CAUTION:**  
Risk of fire  
**flammable materials**

**IMPORTANT NOTE:** Read this manual carefully before installing or operating your new appliance unit. Make sure to save this manual for future reference.

### Explanation of symbols displayed on the unit

	<b>CAUTION</b>	This symbol shows that the operation manual should be read carefully.
	<b>CAUTION</b>	This symbol shows that a service personnel should be handling this equipment with reference to the installation manual.
	<b>CAUTION</b>	This symbol shows that information is available such as the operating manual or installation manual.

## WARNING

- Servicing shall only be performed as recommended by the equipment manufacturer. Maintenance and repair requiring the assistance of other skilled personnel shall be carried out under the supervision of the person competent in the use of flammable refrigerants.
- DO NOT modify the length of the power cord or use an extension cord to power the unit.
- DO NOT share a single outlet with other electrical appliances.  
Improper power supply can cause fire or electrical shock.
- Please follow the instruction carefully to handle, install, clear, service the appliance to avoid any damage or hazard. Flammable Refrigerant R32 is used within appliance.
- When maintaining or disposing the appliance, the refrigerant (R32) shall be recovered properly, shall not discharge to air directly.
- Compliance with national gas regulations shall be observed.
- Keep ventilation openings clear of obstruction.
- The appliance shall be stored so as to prevent mechanical damage from occurring.
- The appliance shall be stored in a well-ventilated area where the room size corresponds to the room area as specified for operation.
- Any person who is involved with working on or breaking into a refrigerant circuit should hold a current valid certificate from an industry-accredited assessment authority, which authorises their competence to handle refrigerants safely in accordance with an industry recognised assessment specification. All training shall follow the ANNEX HH requirements of UL 60335-2-40 4th Edition.

Examples for such working procedures are:

- breaking into the refrigerating circuit;
  - opening of sealed components;
  - opening of ventilated enclosures.
- No open fire or device like switch which may generate spark/arcing shall be around appliance to avoid causing ignition of the flammable refrigerant used. Please follow the instructions carefully when storing or maintaining the appliance to prevent mechanical damage from occurring.
  - Do not use means to accelerate the defrosting process or to clean, other than those recommended by the manufacturer.
  - The appliance shall be stored in a room without continuously operating ignition sources (for example: open flames, an operating gas appliance) and ignition sources (for example: an operating electric heater) close to the appliance.
  - Do not pierce or burn.
  - Be aware that the refrigerants may not contain an odour.

### AVERTISSEMENT

Ne pas utiliser de produits permettant d'accélérer le dégel ou de produits de nettoyage autres que ceux recommandés par le fabricant.

L'appareil doit être entreposé dans un endroit sans source d'allumage fonctionnant en continu (par exemple : flamme nue, appareil au gaz en marche ou radiateur électrique en marche).

Ne pas percer ni brûler. Attention : les frigorigènes peuvent être inodores.

#### **1. Transport of equipment containing flammable refrigerants**

See transport regulations.

#### **2. Marking of equipment using signs**

See local regulations.

#### **3. Disposal of equipment using flammable refrigerants**

See national regulations.

#### **4. Storage of equipment/appliances**

The storage of the appliance should be in accordance with the applicable regulations or instructions, whichever is more stringent.

#### **5. Storage of packed (unsold) equipment**

Storage package protection should be constructed such that mechanical damage to the equipment inside the package will not cause a leak of the refrigerant charge. The maximum number of pieces of equipment permitted to be stored together will be determined by local regulations.

## **6. Information on servicing**

### 1) Checks to the area

Prior to beginning work on systems containing flammable refrigerants, safety checks are necessary to ensure that the risk of ignition is minimised. For repair to the refrigerating system, the following precautions shall be complied with prior to conducting work on the system.

### 2) Work procedure

Work shall be undertaken under a controlled procedure so as to minimise the risk of a flammable gas or vapour being present while the work is being performed.

### 3) General work area

All maintenance staff and others working in the local area shall be instructed on the nature of work being carried out. Work in confined spaces shall be avoided. The area around the workspace shall be sectioned off. Ensure that the conditions within the area have been made safe by control of flammable material.

### 4) Checking for presence of refrigerant

The area shall be checked with an appropriate refrigerating detector prior to and during work, to ensure the technician is aware of potentially flammable atmospheres. Ensure that the leak detection equipment being used is suitable for use with flammable refrigerants, i.e. non-sparking, adequately sealed or intrinsically safe.

### 5) Presence of fire extinguisher

If any hot work is to be conducted on the refrigeration equipment or any associated parts, appropriate fire extinguishing equipment shall be available to hand. Have a dry powder or CO<sub>2</sub> fire extinguisher adjacent to the charging area.

### 6) No ignition sources

No person carrying out work in relation to a refrigerating system which involves exposing any pipe work that contains or has contained flammable refrigerant shall use any sources of ignition in such a manner that it may lead to the risk of fire or explosion. All possible ignition sources, including cigarette smoking, should be kept sufficiently far away from the site of installation, repairing, removing and disposal, during which flammable refrigerant can possibly be released to the surrounding space. Prior to work taking place, the area around the equipment is to be surveyed to make sure that there are no flammable hazards or ignition risks. No Smoking signs shall be displayed.

### 7) Ventilated area

Ensure that the area is in the open or that it is adequately ventilated before breaking into the system or conducting any hot work. A degree of ventilation shall continue during the period that the work is carried out. The ventilation should safely disperse any released refrigerant and preferably expel it externally into the atmosphere.

### 8) Checks to the refrigerating equipment

Where electrical components are being changed, they shall be fit for the purpose and to the correct specifications. At all times the manufacturer's maintenance and service guidelines shall be followed. If in doubt consult the manufacturer's technical department for assistance. The following checks shall be applied to installations using flammable refrigerants: the actual refrigerant charge is in accordance with the room size within which the refrigerant containing parts are installed; the ventilation machinery and outlets are operating adequately and are not obstructed; if an indirect refrigerating circuit is being used, the secondary circuit shall be checked for the presence of refrigerant; marking to the equipment continues to be visible and legible. markings and signs that are illegible shall be corrected; and refrigerating pipe or components are installed in a position where they are unlikely to be exposed to any substance which may corrode refrigerant containing components, unless the components are constructed of materials which are inherently resistant to being corroded or are suitably protected against being so corroded.

### 9) Checks to electrical devices

Repair and maintenance to electrical components shall include initial safety checks and component inspection procedures. If a fault exists that could compromise safety, then no electrical supply shall be connected to the circuit until it is satisfactorily dealt with. If the fault cannot be corrected immediately but it is necessary to continue operation, an adequate temporary solution shall be used. This shall be reported to the owner of the equipment so all parties are advised.

Initial safety checks shall include:

That capacitors are discharged: this shall be done in a safe manner to avoid possibility of sparking; that there no live electrical components and wiring are exposed while charging, recovering or purging the system; that there is continuity of earth bonding.

## **7. Sealed electrical components shall be replaced.**

## **8. Intrinsically safe components must be replaced.**

## 9.Cabling

Check that cabling will not be subject to wear, corrosion, excessive pressure, vibration, sharp edges or any other adverse environmental effects. The check shall also take into account the effects of aging or continual vibration from sources such as compressors or fans.

## 10.Detection of flammable refrigerants

Under no circumstances shall potential sources of ignition be used in the searching for or detection of refrigerant leaks. A halide torch (or any other detector using a naked flame) shall not be used.

The following leak detection methods are deemed acceptable for systems containing flammable refrigerants.

Electronic leak detectors shall be used to detect flammable refrigerants, but the sensitivity may not be adequate, or may need re-calibration. (Detection equipment shall be calibrated in a refrigerant-free area.)

Ensure that the detector is not a potential source of ignition and is suitable for the refrigerant used. Leak detection equipment shall be set at a percentage of the LFL of the refrigerant and shall be calibrated to the refrigerant employed and the appropriate percentage of gas (25% maximum) is confirmed. Leak detection fluids are suitable for use with most refrigerants but the use of detergents containing chlorine shall be avoided as the chlorine may react with the refrigerant and corrode the copper pipe-work.

If a leak is suspected, all naked flames shall be removed/extinguished. If a leakage of refrigerant is found which requires brazing, all of the refrigerant shall be recovered from the system, or isolated (by means of shut off valves) in a part of the system remote from the leak. Removal of refrigerant shall be according to Removal and evacuation.

## 11.Removal and evacuation

When breaking into the refrigerant circuit to make repairs—or for any other purpose - conventional procedures shall be used. However, for flammable refrigerants it is important that best practice be followed, since flammability is a consideration. The following procedure shall be adhered to:

- Safely remove refrigerant following local and national regulations;
- Evacuate;
- Purge the circuit with inert gas (optional for A2L);
- Evacuate (optional for A2L);
- continuously flush or purge with inert gas when using flame to open circuit; and
- open the circuit.

The refrigerant charge shall be recovered into the correct recovery cylinders if venting is not allowed by local and national codes. For appliances containing flammable refrigerants, the system shall be purged with oxygen-free nitrogen to render the appliance safe for flammable refrigerants. This process might need to be repeated several times. Compressed air or oxygen shall not be used for purging refrigerant systems.

For appliances containing flammable refrigerants, refrigerants purging shall be achieved by breaking the vacuum in the system with oxygen-free nitrogen and continuing to fill until the working pressure is achieved, then venting to atmosphere, and finally pulling down to a vacuum (optional for A2L). This process shall be repeated until no refrigerant is within the system (optional for A2L). When the final oxygen-free nitrogen charge is used. the system shall be vented down to atmospheric pressure to enable work to take place.

The outlet for the vacuum pump shall not be close to any potential ignition sources, and ventilation shall be available.

## 12.Charging procedures

In addition to conventional charging procedures, the following requirements shall be followed. Ensure that contamination of different refrigerants does not occur when using charging equipment. Hoses or lines shall be as short as possible to minimise the amount of refrigerant contained in them. Cylinders shall be kept in an appropriate position according to the instructions. Ensure that the refrigeration system is earthed prior to charging the system with refrigerant. Label the system when charging is complete (if not already). Extreme care shall be taken not to overfill the refrigeration system. Prior to recharging the system it shall be pressure tested with OFN. The system shall be leak tested on completion of charging but prior to commissioning. A follow up leak test shall be carried out prior to leaving the site.

### 13. Decommissioning

Before carrying out this procedure, it is essential that the technician is completely familiar with the equipment and all its detail. It is recommended good practice that all refrigerants are recovered safely. Prior to the task being carried out, an oil and refrigerant sample shall be taken in case analysis is required prior to re-use of reclaimed refrigerant. It is essential that electrical power is available before the task is commenced.

- a) Become familiar with the equipment and its operation.
- b) Isolate system electrically.
- c) Before attempting the procedure ensure that: mechanical handling equipment is available, if required, for handling refrigerant cylinders; all personal protective equipment is available and being used correctly; the recovery process is supervised at all times by a competent person; recovery equipment and cylinders conform to the appropriate standards.
- d) Pump down refrigerant system, if possible.
- e) If a vacuum is not possible, make a manifold so that refrigerant can be removed from various parts of the system.
- f) Make sure that cylinder is situated on the scales before recovery takes place.
- g) Start the recovery machine and operate in accordance with instructions.
- h) Do not overfill cylinders. (No more than 80% volume liquid charge.)
- i) Do not exceed the maximum working pressure of the cylinder, even temporarily.
- j) When the cylinders have been filled correctly and the process completed, make sure that the cylinders and the equipment are removed from site promptly and all isolation valves on the equipment are closed off.
- k) Recovered refrigerant shall not be charged into another refrigeration system unless it has been cleaned and checked.

### 14. Labelling

Equipment shall be labelled stating that it has been de-commissioned and emptied of refrigerant. The label shall be dated and signed.

Ensure that there are labels on the equipment stating the equipment contains flammable refrigerant.

### 15. Recovery

When removing refrigerant from a system, either for servicing or decommissioning, it is recommended good practice that all refrigerants are removed safely.

When transferring refrigerant into cylinders, ensure that only appropriate refrigerant recovery cylinders are employed. Ensure that the correct number of cylinders for holding the total system charge is available. All cylinders to be used are designated for the recovered refrigerant and labelled for that refrigerant (i.e., special cylinders for the recovery of refrigerant). Cylinders shall be complete with pressure-relief valve and associated shut-off valves in good working order. Empty recovery cylinders are evacuated and, if possible, cooled before recovery occurs.

The recovery equipment shall be in good working order with a set of instructions concerning the equipment that is at hand and shall be suitable for the recovery of the flammable refrigerant. If in doubt, the manufacturer should be consulted. In addition, a set of calibrated weighing scales shall be available and in good working order. Hoses shall be complete with leak-free disconnect couplings and in good condition.

The recovered refrigerant shall be processed according to local legislation in the correct recovery cylinder, and the relevant waste transfer note arranged. Do not mix refrigerants in recovery units and especially not in cylinders.

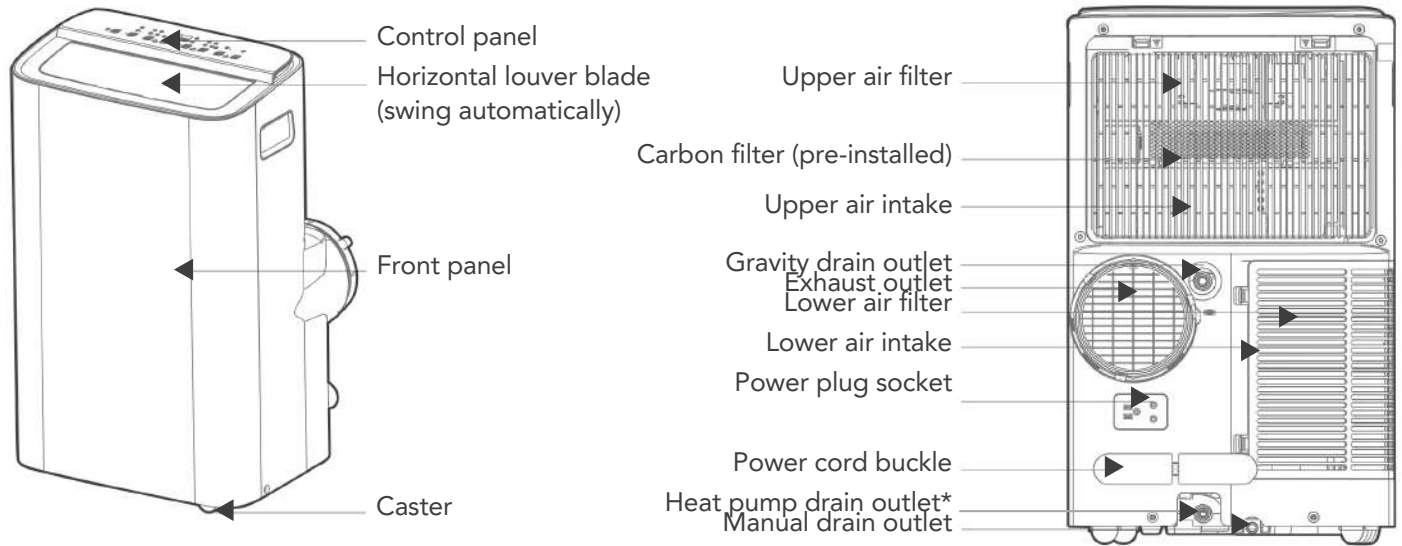
If compressors or compressor oils are to be removed, ensure that they have been evacuated to an acceptable level to make certain that flammable refrigerant does not remain within the lubricant. The compressor body shall not be heated by an open flame or other ignition sources to accelerate this process. When oil is drained from a system, it shall be carried out safely.

## SPECIFICATIONS

Model	ARC-0850XP	ARC-1050XP	ARC-1050XPH
Operational Modes	Auto   Cool   Fan   Dry	Auto   Cool   Fan   Dry	Auto   Cool   Fan   Dry   Heat
Cooling Capacity	12,000 BTU SACC 8,000 BTU	13,500 BTU SACC 10,000 BTU	13,500 BTU SACC 10,000 BTU
Heating Capacity	-	-	10,500 BTU
Coverage Area	450 sq. ft.	500 sq. ft.	500 sq. ft.
Fan Speed	Continuous   Auto   Low   Medium   High	Continuous   Auto   Low   Medium   High	Continuous   Auto   Low   Medium   High
Noise Level	48.9   50   51.6 db	51.5   52.5   54 db	51.5   52.5   54 db
Temperature Range	60°F-95°F   16°C-35°C	60°F-95°F   16°C-35°C	Cool 60°F-95°F   16°C-35°C Heat 41°F-86°F   5°C-30°C
Timer	up to 24 hours	up to 24 hours	up to 24 hours
Refrigerant	R32	R32	R32
Power Consumption	1460W	1560W	1560W
Amps	11.9A	11.9A	12A
Power Supply	115V/60Hz	115V/60Hz	115V/60Hz
CEER	7.22	7.9	7.9
Net Weight	61 lbs.	68 lbs.	71 lbs.
Unit Dimensions	17.5" W x 14" D x 29" H	17.5" W x 14" D x 29" H	17.5" W x 14" D x 29" H

## PREPARATION

All illustrations in the manual are for explanation purpose only. Your machine may be slightly different. The unit can be controlled by the unit control panel alone or with the remote controller.



\*only for ARC-1050XPH

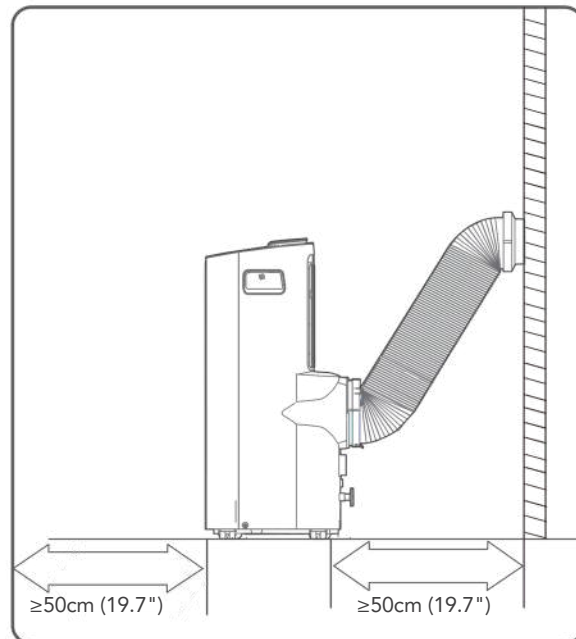
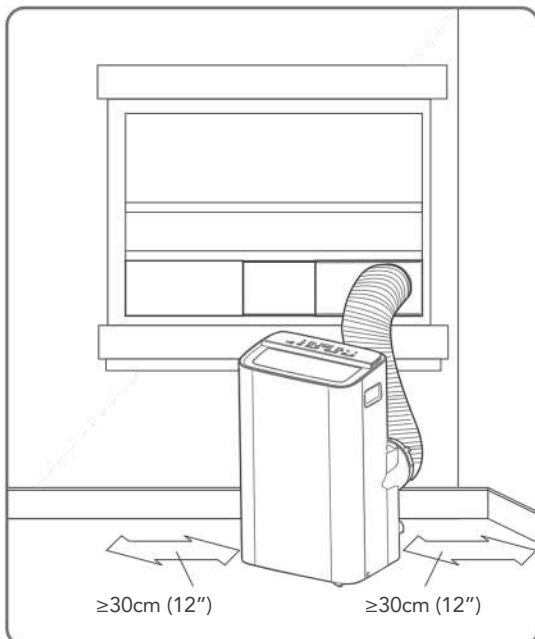
## DESIGN NOTICE

In order to ensure the optimal performance of our products, the design specifications of the unit and remote control are subject to change without prior notice.

## CHOOSING THE RIGHT LOCATION

Your installation location should meet the following requirements:

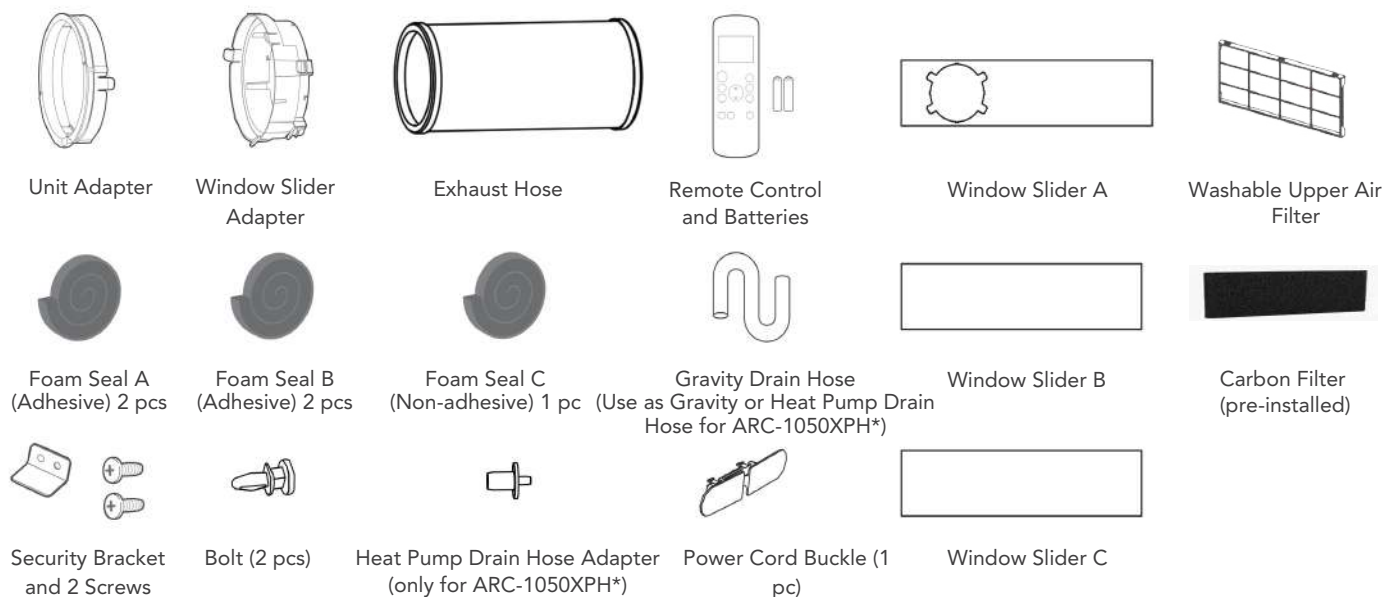
- Make sure that you install your unit on an even surface to minimize noise and vibration.
- The unit must be installed near a grounded plug, and the Collection Tray Drain (found on the back of the unit) must be accessible.
- The unit should be located at least 30cm (12") from the nearest wall to ensure proper air conditioning. The horizontal louver blade should be at least 50cm (19.7") away from obstacles.
- DO NOT cover the Intakes, Outlets or Remote Signal Receptor of the unit, as this could cause damage to the unit.



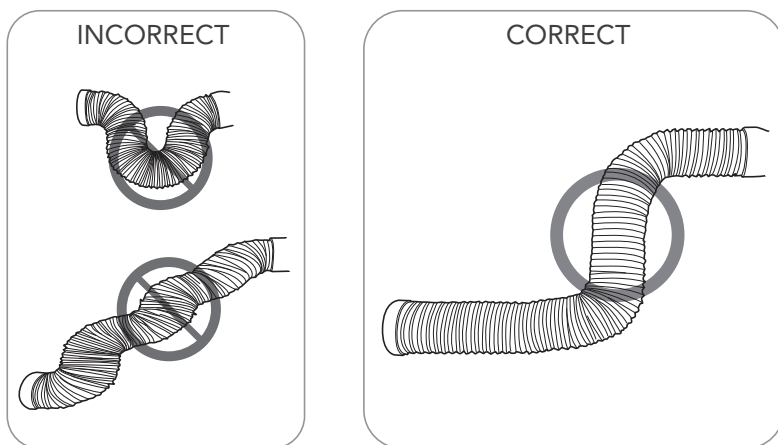
## AMBIENT TEMPERATURE RANGE FOR OPERATION

MODE	Temperature Range	MODE	Temperature Range
Cool	60-95°F (16-35°C)	Heat (pump heat mode)	41-86°F (5-30°C)
Dry	55-95°F (13-35°C)	*only for ARC-1050XPH	

## LIST OF INSTALLATION PARTS AND ACCESSORIES



## FOR OPTIMAL AIR CONDITIONER PERFORMANCE

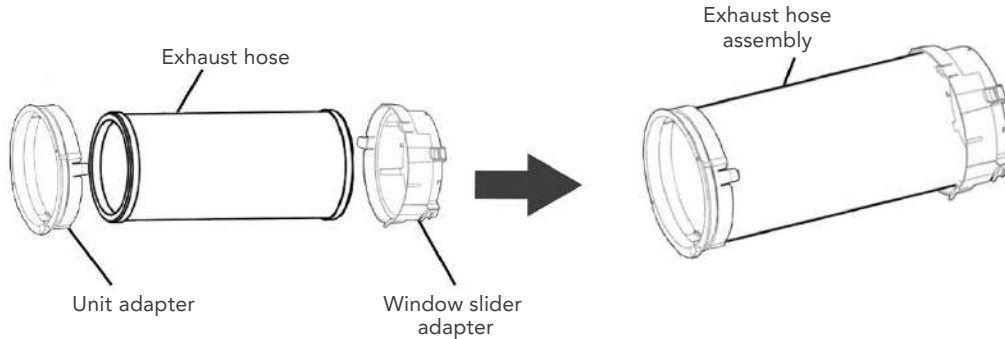


**NOTE:**  
To ensure proper function, **DO NOT** overextend or bend the hose. Make sure that there is no obstacle around the air outlet of the exhaust hose (in the range of 19.7") in order to the exhaust system works properly. All the illustrations in this manual are for explanation purpose only. Your air conditioner may be slightly different. The actual shape shall prevail.

NOTE: Once the Exhaust Hose assembly and Adjustable Window Slider are prepared, choose from one of the following two window installation methods (Hung window or Sliding Window).

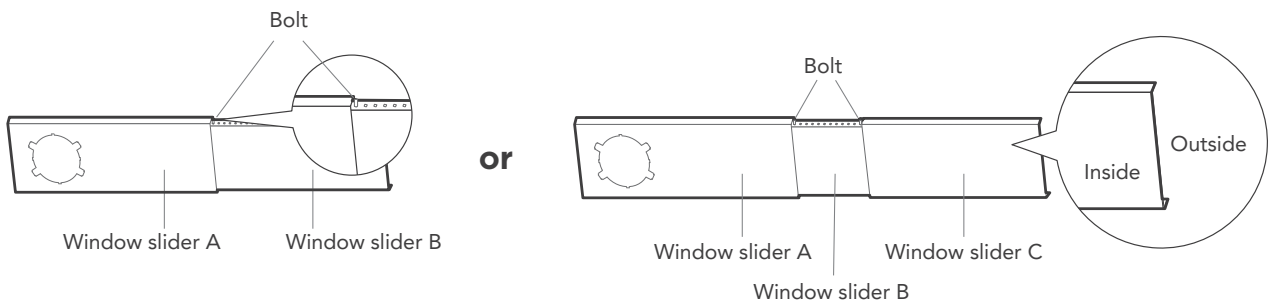
## 1 Exhaust hose assembly installation (window type)

Press one end of the exhaust hose into the window slider adapter and the other end onto the unit adapter. The adapters will clamp automatically with elastic.



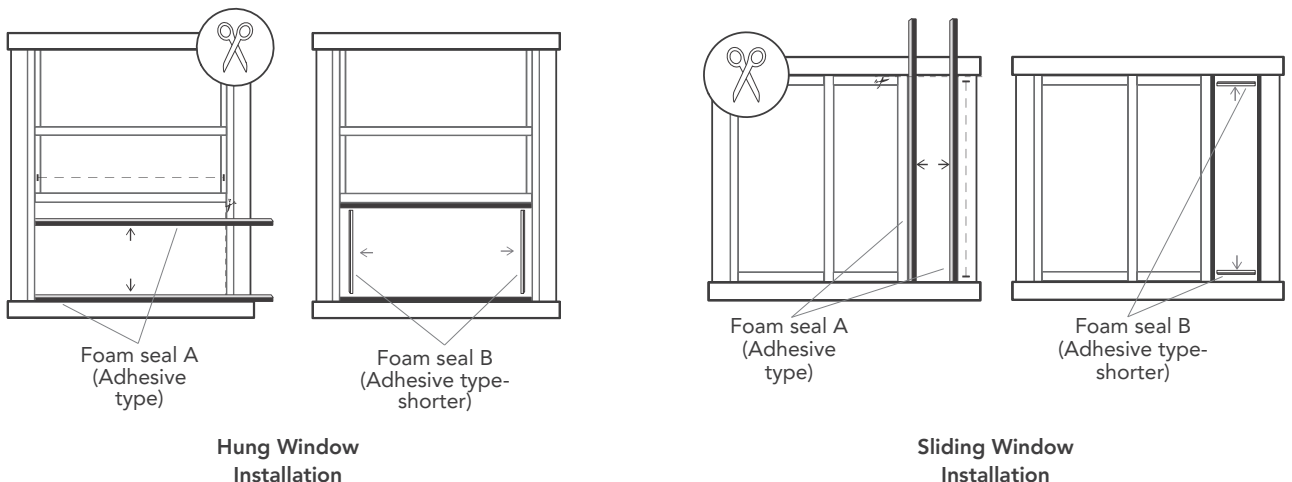
## 2 Preparing the adjustable window slider

1. Measure the window opening where the window kit will be installed.
2. Assemble Slider A to Slider B and Slider C for large windows. If the window opening is less than the length of Slider A alone, it can be cut to the necessary length. Make sure not to cut into the window slider adapter cutout or the adapter will not connect properly.
3. Use the window slider bolts to secure the window sliders at the correct length.



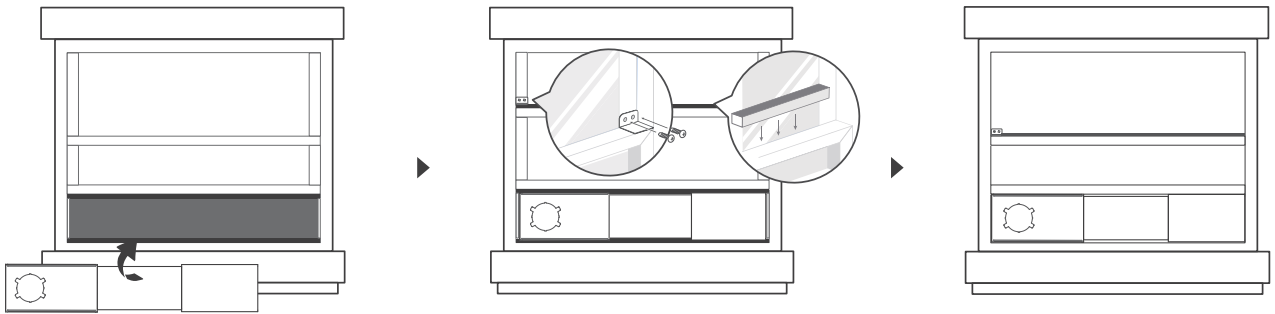
## 3 Complete sealing of window

Cut the adhesive foam seal A and B strips to the proper lengths, and attach them to the window sash and frame as shown.



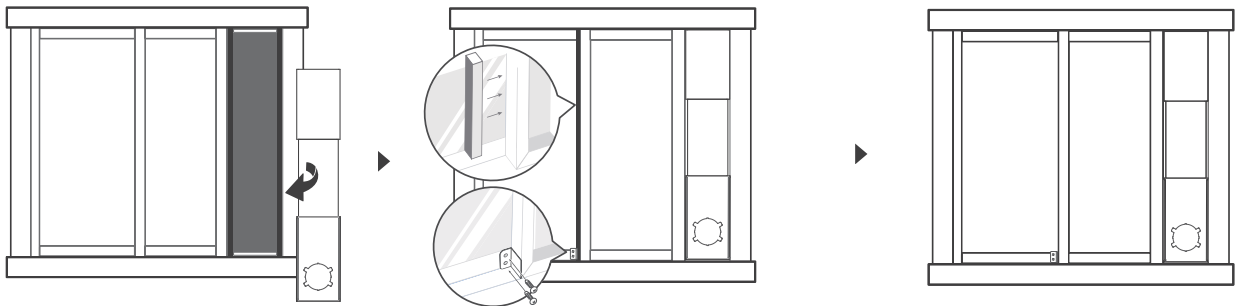
## 4 Hung window installation

1. Insert the window slider assembly into the window opening.
2. Cut the non-adhesive foam seal C strip to match the width of the window. Insert the seal between the glass and the window frame to prevent air and insects from getting into the room.
3. If desired, install the security bracket with 2 screws as shown.



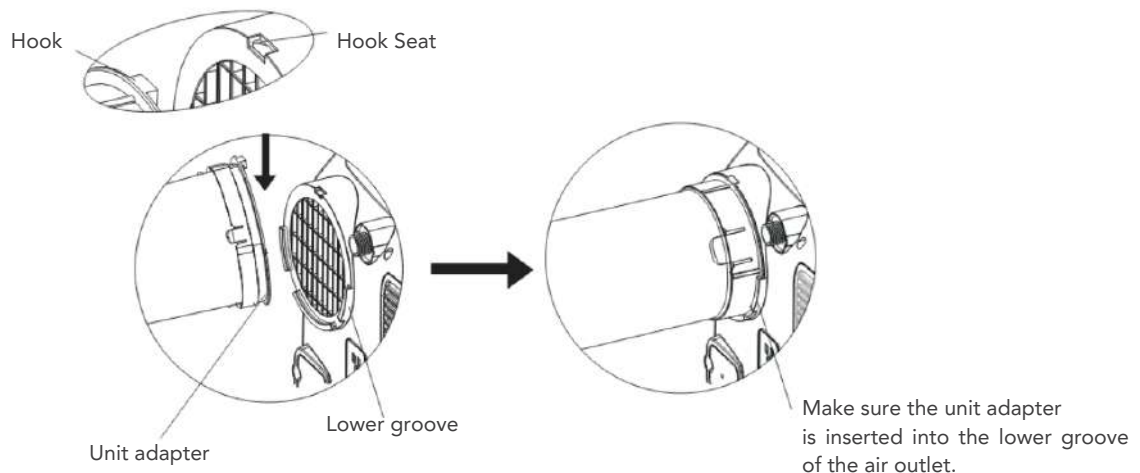
## 5 Sliding window installation

1. Insert the window slider assembly into the window opening.
2. Cut the non-adhesive foam seal C strip to match the height of the window. Insert the seal between the glass and the window frame to prevent air and insects from getting into the room.
3. If desired, install the security bracket with 2 screws as shown.



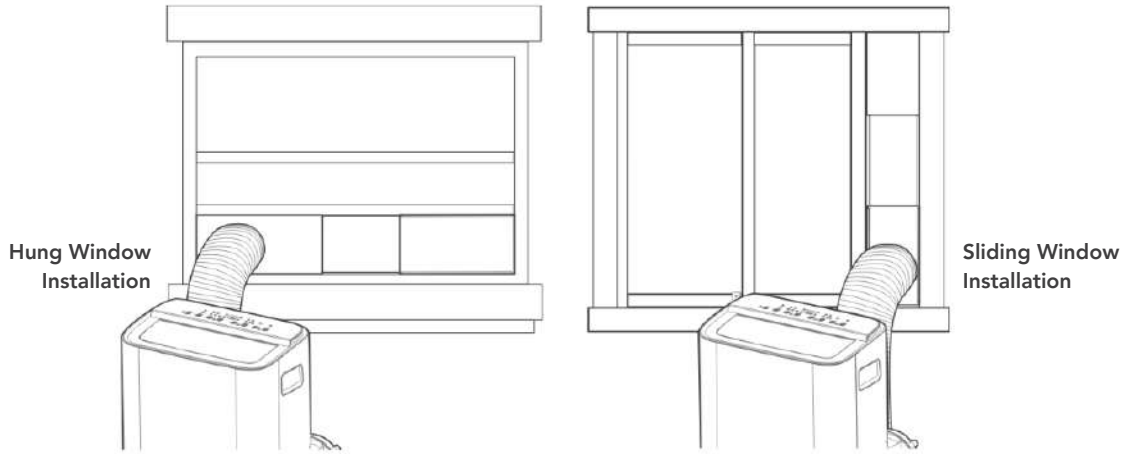
## 6 Install the exhaust hose assembly to the unit

Slide the exhaust hose into the exhaust air outlet opening of the unit along the lower groove making sure to catch the hook into the hook seat.



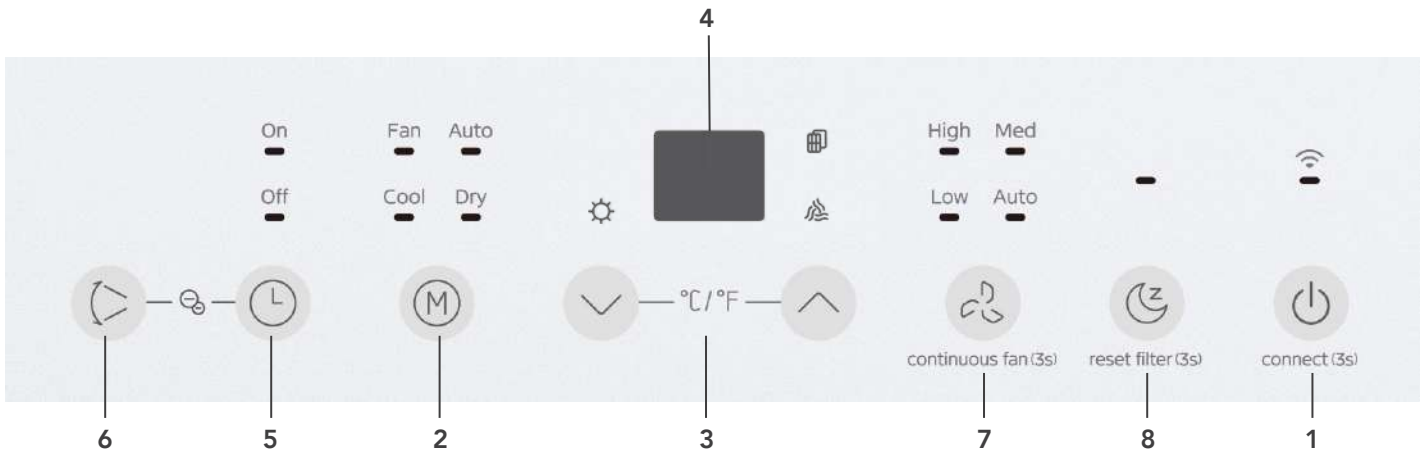
**7 Connect the exhaust hose assembly to the window**

Insert the window slider adapter into the cutout of the window slider.



NOTE: Illustrations in this manual are for explanatory purposes. The actual shape of your indoor unit may be slightly different. The actual shape shall prevail.

## CONTROL PANEL



### 1. POWER / WIRELESS button

- Press the Power Button to turn on or off the unit.
- To activate wireless connection mode, press and hold the POWER button for 3 seconds until 'AP' appears on the LED display. Successful router connection within 8 minutes exits wireless mode, illuminating the Wireless indicator. Failure exits mode automatically.

### 2. MODE button

Select the operating mode in the sequence: AUTO, COOL, DRY, FAN and HEAT\*. The appropriate LED indicator light will light to show which mode is active.

*\*only for ARC-1050XPH*

#### AUTO mode

- When you set the air conditioner to AUTO mode, it will automatically select cooling, heating\*, or fan-only operation depending on what temperature is selected and the room temperature. *\*only for ARC-1050XPH*
- The air conditioner will control the room temperature automatically at the temperature point set by you.
- When in AUTO mode, you can not select the fan speed.
- NOTE: When in AUTO mode, both the AUTO mode and the actual operation mode indicator lights illuminate for some models.

#### COOL mode

- When in COOL mode, Press the UP and DOWN buttons to select your desired room temperature. The temperature can be set within a range of 60°F-86°F/16°C-30°C
- Press the FAN button to choose the fan speed.


#### DRY mode

Press the MODE button until the DRY indicator light comes on. When in Dry mode, the fan speed and the temperature cannot be adjusted. The fan motor operates at AUTO speed.

#### FAN mode

- When in FAN mode, press the FAN button to choose the fan speed. The temperature can not be adjusted.
- Do not put the duct to window.

#### HEAT mode\*

- Press the MODE button until the HEAT indicator light  comes on.
- Press the ADJUST buttons UP and DOWN to select your desired room temperature. The temperature can be set within a range of 60°F-86°F/16°C-30°C.
- Press the FAN button to choose the fan speed. Note: For some models, the fan speed can not be adjusted under HEAT mode.
- Only available for ARC-1050XPH

## CONTROL PANEL

### 3. UP and DOWN buttons

- Press to adjust (increasing/decreasing) temperature settings in 1°F/1°C increments
- Press to adjust Timer setting in a range of 0-24hrs.
- The control is capable of displaying temperature in degrees Fahrenheit or degrees Celsius. To convert from one to the other, press and hold the Up and Down buttons at the same time for 3 seconds.

### 4. DISPLAY WINDOW

Shows the temperature in °C or °F and the Auto-timer settings.


### 5. TIMER button

Press to initiate the AUTO ON start time and AUTO OFF stop time program, in conjunction with the UP & DOWN buttons. The timer on/off indicator light illuminates when the timer is set.

### 6. SWING/VENT button

Press to initiate the swing feature. Press SWING button once to start the louver moving, and press again to stop the louver in the desired direction.


### 7. Continuous FAN mode

- Control the fan speed. Press to select the fan speed in four steps: LOW, MED, HIGH and AUTO. The fan speed indicator light illuminates under different fan settings.
- NOTE: When in COOL or DRY mode, press the button for 3 seconds until the continuous fan indicator light  comes onto turn on the constant fan function. Press the button for 3 seconds to turn it off.

### 8. SLEEP mode

- When in SLEEP mode the indicator light above the SLEEP button will illuminate, and the selected temperature will increase (cooling) or decrease (heating) by 1°C/2°F(or 1°F) for 30 minutes. The temperature will then increase (cooling) or decrease (heating) by another 1°C/2°F(or 1°F) after an additional 30 minutes. This new temperature will be maintained for 7 hours before it returns to the originally selected temperature. This ends the Sleep mode and the unit will continue to operate as originally programmed.
- NOTE: This feature is unavailable under FAN or DRY mode.

#### Reset Filter

- Press and hold on the SLEEP button for 3 seconds to initiate the reset filter connection mode. This feature is a reminder to clean the Air Filter for more efficient operation. The filter light  will illuminate after 250 hours of operation. To reset after cleaning the filter and replacing the carbon filter, press the SLEEP button and the light will go off.

## I SENSE FEATURE

The remote control functions as a thermostat, ensuring precise temperature control. It integrates an efficient sensor and activates the I SENSE feature with a dedicated button. Once activated, it transmits temperature signals to the air conditioner every 3 minutes, canceling if inactive for 7 minutes.

NOTE: Not applicable in DRY and FAN mode. Changing modes or turning off the unit disables the feature. Requires the remote within 26 feet of the indoor unit for optimal function.

## AUTO RESTART

In the event of a power outage, the air conditioner restarts at the previously set function mode and settings when power is re-stored.

## NOISE LEVEL

Portable air conditioners may make sounds that are not familiar to you. The sounds listed below are normal. Noise reflecting off hard surfaces such as a floor or wall can make the sounds seem louder than they actually are.

- The compressor may make a pulsating or high-pitched sound
- Water running from the evaporator to the water tank may make a splashing sound
- Refrigerant flowing may make a gurgling sound
- Fan sound may come from front and back air vents

## COMPRESSOR LOCK OUT

This portable air conditioner is optimized to operate in an ambient temperature of 64°F-90°F. The compressor circuit has an automatic 3 minute time delayed start if the unit is turned off and on quickly. This prevents overheating of the compressor and possible circuit breaker tripping.

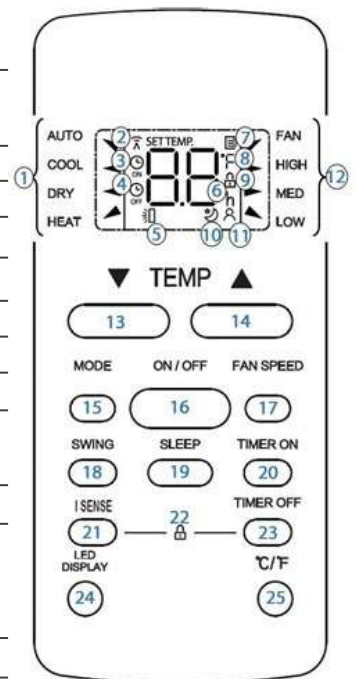
## REMOTE CONTROL

The portable air conditioner can be switched on by the remote control. To transmit signals from the remote control to the air conditioner, point the front part of the remote handset towards the control panel on the air conditioner. Reception of the signal is confirmed by a beep. The maximum signal transmission distance is approximately 8 meters/26 feet.

### NOTE:

- Other appliances in the same room controlled by a remote control (TV, radio, stereo, etc.), may cause interferences
- Electronic and fluorescent lamps may interfere with the signal transmissions between the remote control and the air conditioner
- Remove the batteries if the remote control is not used for long periods

1	Mode indicator	Displays the current selected mode (Auto, Cool, Dry, Heat* or Fan)
2	Wireless indicator	Displays when the remote is turned on, and disappears when it is turned off
3	Timer On indicator	Displays when TIMER ON is set
4	Timer OFF indicator	Displays when TIMER OFF is set
5	Swing indicator	Displays auto-swing feature is turned, and disappears when it is turned off
6	Temperature/Timer display (h)	Displays the set temperature or timer setting when using ON/OFF functions "h (hours)" indicator is shown when timer settings are activated
7	Remote Control indicator	Displays when the remote is turned on and disappears when it is turned off
8	Temperature Scale indicator	Displays temperature scale Fahrenheit or Celsius
9	Lock settings indicator	Indicated all the current settings are locked
10	Sleep Feature indicator	Displays when SLEEP function is activated
11	I Sense Feature indicator	Displays when I SENSE function is activated
12	Fan Speed indicator	Displays the current selected fan speed
13	Up button	Increases set temperature/time
14	Down button	Decreases set temperature/time
15	Mode button	Controls the function modes: Auto, Cool, Dry, Fan, and Heat*
16	Power button	Turns the unit On and Off
17	Fan Speed button	Controls the fan speeds: Auto, High, Medium, or Low (Continuous mode cannot be set using the remote control)
18	Swing Feature button	Press to stop or start louver auto-swing feature
19	Sleep Feature button	Starts or stops louver movement and set louver angle
20	Timer ON button	Enables the Timer On
21	I Sense Feature button	Press to initiate I SENSE feature
22	Lock Setting button	Press I SENSE and TIMER OFF buttons to lock current settings
23	Timer OFF button	Enables the Timer Off
24	LED Display button	Press this button to turn on and turn off the display on the indoor unit
25	Temperature Scale button	Press to change Temperature Scale (Fahrenheit or Celsius)



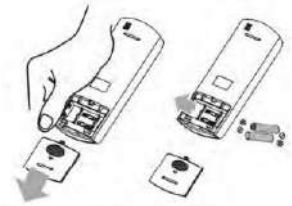
\*only for ARC-1050XPH

## REMOTE CONTROL

### REPLACING THE REMOTE BATTERIES

This remote control comes with two AAA batteries. Place the batteries in the remote control before use.

1. Slide the back cover from the remote downward to expose the battery compartment.
2. Insert the batteries, ensure to match the (+) and (-) symbols on the ends of the batteries with the symbols inside the battery compartment.
3. Slide the battery cover back into place.



#### Notes:

- The air conditioner will not respond if curtains, doors, or other materials block the signal from the remote control to the unit.
- Prevent any liquid from contact with the remote control. Do not expose the remote control to direct sunlight or heat.
- If the infrared signal receiver on the indoor unit is exposed to direct sunlight, the air conditioner may not function properly. Use curtains to prevent the sunlight from falling on the receiver.
- Do not mix old and new batteries or batteries of different types.
- Do not leave the batteries in the remote control if it is not going to be used for more than two months.

## CARE AND MAINTENANCE

### SAFETY PRECAUTIONS

- Always unplug the unit before cleaning or servicing.
- DO NOT use flammable liquids or chemicals to clean the unit.
- DO NOT wash the unit under running water. Doing so causes electrical danger.
- DO NOT operate the portable air conditioner if the power supply was damaged during cleaning. A damaged power cord must be replaced with a new cord. Contact Whynter Customer Support for more information.

### WATER DRAINAGE

When the internal drain pan becomes full the appliance will beep 8 times and the digital display will show error code P1. The air conditioning or dehumidifying action will stop but the fan may continue to operate. Ensure that the appliance is turned off and unplugged and that it is close to a floor drain or to an external container.

#### A. Manual Drain Plug

Remove the drain plug and allow the collected condensation to drain completely into a shallow external container. Replace the bottom manual drain plug, pressing firmly to ensure a tight fit and no leaks.

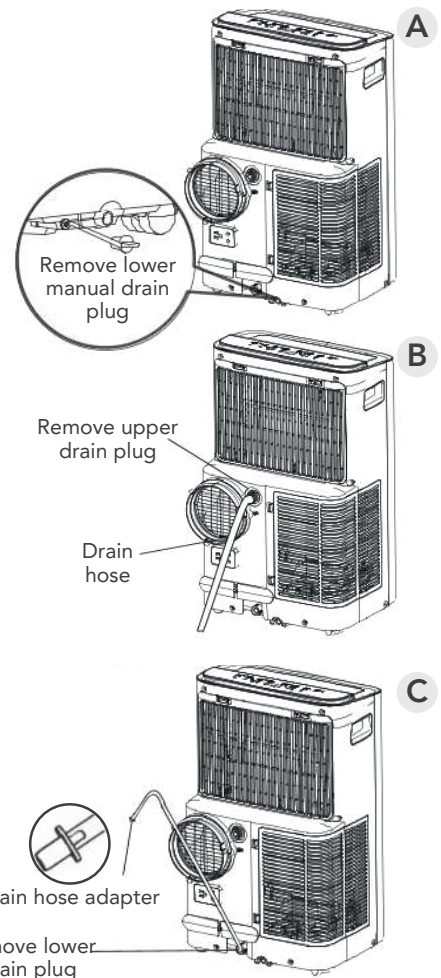
#### B. Continuous Gravity Drain

During dry mode, install continuous drain option so that the appliance will automatically drain collected water. Remove the upper drain plug and attach the included drain hose. Place the open end of the drain hose over the receptacle that the appliance will drain into; this could be a basement floor drain, a sink, or similar. Ensure that there are no kinks or bends in the drain hose and that it goes straight down toward the floor. The continuous drain is activated by gravity only. If the hose is not positioned directly downwards, water will not drain correctly.

#### C. Heat pump drainage (for ARC-1050XPH only)

This unit has a condensate pump feature that can pump out (and up) water through the included drain hose for continuous water removal during HEAT Mode. Remove the heat pump drain plug from the back of the unit and install the drain hose. Place the open end of the hose to a drain area.

NOTE: The condensate pump will only engage during Heat mode and will not work in any other modes. Pump drain hose is required to be installed when using in Heat Mode. To reduce pump drain noise, make sure to attach the drain hose adapter to the open end of the drain hose.



## CARE AND MAINTENANCE

### UNIT CLEANING

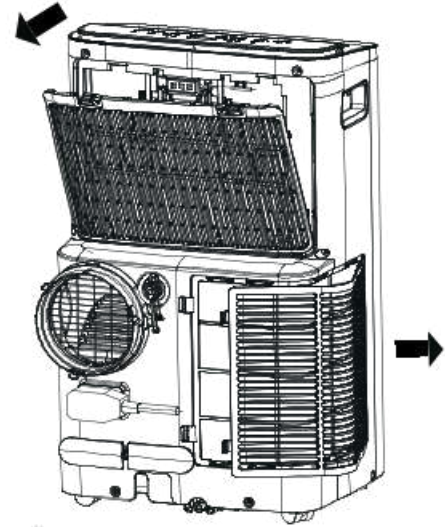
- Unplug the appliance before cleaning or servicing. Clean the cabinet with a lukewarm damp cloth and neutral detergent. Dry the cabinet with a lint-free dry cloth.
- Do not use gasoline, paint thinner, or other chemicals to clean the appliance.
- Do not wash the appliance directly under a tap or using a hose. It may cause electrical damage.

### AIR FILTERS

The two washable air filters should be cleaned every two weeks to ensure efficient performance. In households with animals, the air filters may need to be cleaned more often and the external grilles may need to be wiped to prevent blocked air flow.

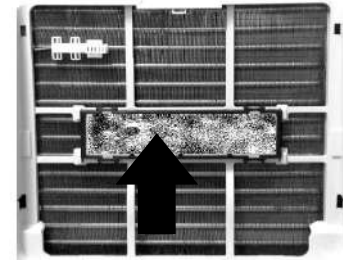
To access the filters:

1. Switch off the air conditioner.
2. Press down on the two tabs to release the upper air intake and lower air intake grilles.
3. Use a vacuum cleaner or tap lightly to remove loose dust and dirt.
4. Rinse the filters thoroughly under warm running water (no hotter than 100°F.)
5. Dry thoroughly before re-inserting the filters.



### CARBON FILTER

The Activated Carbon filter is designed to remove smoke and other odors. It is recommended you replace the Activated Carbon filter every 2-3 months or as needed.



### DISPOSAL

This appliance should not be treated as regular household waste. Check for local regulatory compliance regarding the approved and safe disposal of this appliance.

### ERROR CODES

P1 - water tray is full - attach drain hose and drain excess water

If any of the error codes below appear on the display, unplug the air conditioner and allow it to sit undisturbed for 5 minutes. If the error code persists when the unit is plugged back in, please contact Whynter Customer Support.

EH60 - Room temperature sensor error.

EH61 - Evaporator temperature sensor error.

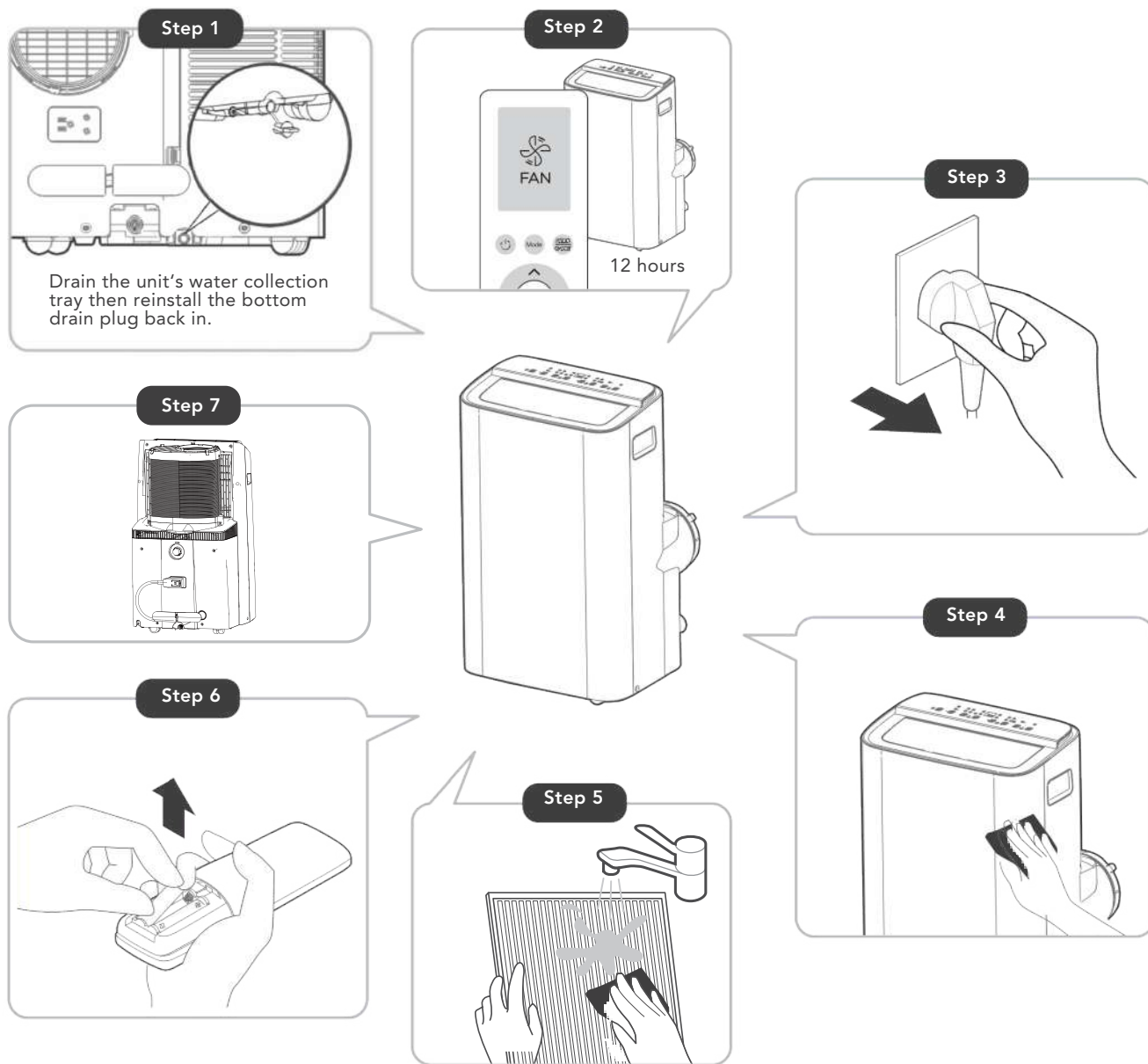
EC52 - Condenser temperature sensor error

EH0b - Display panel communication error.

EL0C - Refrigerant leakage detection malfunction.

## STORAGE

- Be sure to store the unit in a cool, dark place. Exposure to direct sunshine or extreme heat can shorten the lifespan of the unit.
- The cabinet and front may be dusted with an oil-free cloth or washed with a cloth dampened in a solution of warm water and mild liquid dishwashing detergent. Rinse thoroughly and wipe dry.
- Never use harsh cleansers, wax or polish on the cabinet front.
- Be sure to wring excess water from the cloth before wiping around the controls. Excess water in or around the controls may cause damage to the unit.



1. Drain the unit's water collection tray according to the instructions in the following section.
2. Run the appliance on FAN mode for 12 hours in a warm room to dry it and prevent mold.
3. Turn off the appliance and unplug it.
4. Clean the appliance by wiping its surfaces with a soft cloth dampened.
5. Clean the air filter according to the instructions in the previous section. Reinstall the clean, dry filter before storing.
6. Remove the batteries from the remote control.
7. Turn the unit off and unplug it. Wrap the power cord around the power cord buckle and plug the plug end into the power plug socket on the back of the unit.

## TROUBLESHOOTING

Many common portable air conditioner problems are easily resolved. Try the troubleshooting suggestions below to see if the problems can be resolved before having to contact the service department.

### PROBLEM

The portable air conditioner does not turn on

### POSSIBLE CAUSES

- Power failure/outage
- The automatic switch, line fuse, or breaker has been tripped
- The power supply voltage is too low
- The power cord is damaged  
The L.C.D.I. power plug for the unit is tripped
- The internal water reservoir is full and 'P1" appears on display

### SOLUTIONS

- Restore the power supply
- Flip the switch / change the fuse/ turn the breaker back on. Also note that you may have too many applications drawing power on one circuit, you may need to move the other appliances to another circuit
- Move the unit onto another circuit with the correct voltage
- Call for service. Only authorized personnel should replace damaged power cord or power plug
- Press the Reset button on the L.C.D.I. power plug
- Drain water from the air conditioner
- Possible loose internal connection. Please contact Whynter for service.

The unit turns on but the compressor does not turn on (the fan runs but the unit is not cooling)

- The room temperature is outside of the operational tolerances of the unit
- The Cooling mode is not on  
The compressor has not turned on yet because of its time delay
- The set temperature is too high
- The internal water reservoir is full and 'P1" appears on display

- Restore the power supply
- Flip the switch / change the fuse/ turn the breaker back on. Also note that you may have too many applications drawing power on one circuit, you may need to move the other appliances to another circuit
- Move the unit onto another circuit with the correct voltage
- Call for service. Only authorized personnel should replace damaged power cord or power plug
- Press the Reset button on the L.C.D.I. power plug
- Drain water from the air conditioner
- Possible loose internal connection. Please contact Whynter for service.

The air coming out of the unit is not very cold, or the airflow volume is weak

- The filters are dirty or obstructed
- The air intake or exhaust is obstructed
- The unit is set in DRY or FAN mode
- The unit is set to low fan speed

- Clean the air filters
- Make sure there is at least 20" of clearance from the air intake. Make the length of the exhaust hose is as short as possible
- Set the unit to the cooling mode
- Set the unit to a higher fan speed

The unit has worked for a long time, but the room is not cold enough

- Windows or doors are open
- There are too many people in the room
- There is direct sunshine into the room
- The room is a kitchen or with many heat producing appliances
- There is a server in the room
- The room is too large

- Close all windows and doors
- You may need additional cooling or another air conditioner.
- Close curtains or blinds and try to minimize the amount of direct sunlight into the room.
- You may need additional cooling or another air conditioner.

## **ONE YEAR LIMITED PARTS WARRANTY THREE YEAR WARRANTY ON COMPRESSOR**

This WHYNTER product is warranted to the original owner, purchased from an authorized Whynter dealer within the 48 U.S. continental states, for one year from the original purchase date against defects in material and workmanship under normal residential usage. Should your WHYNTER product prove defective within one year from the date of purchase, contact Whynter's Customer Support team with the serial number and proof of purchase to make a warranty claim. A Return Authorization number must be issued before returning any parts or products. Parts or products received without a Whynter issued Return Authorization number will be refused. Under this warranty, Whynter will repair or replace any parts found defective with new or remanufactured parts or exchange the defective product with a new, refurbished, or remanufactured product at our discretion. All defective products and parts covered by this warranty will be repaired or replaced on a mail-in basis to Whynter's Service Center. This warranty is not transferable. After the expiration of the warranty, the cost of labor and parts will be the responsibility of the original owner. The compressor of portable air conditioner is warranty of an additional two years after the one year limited warranty expires from the date of purchase. After two months to one year, the customer will be responsible for the return freight cost to Whynter's Service Center. Please package the product carefully in its original packaging to avoid damage in transit. Whynter is not responsible for damage resulting from shipper mishandling or improper packaging. Please retain the original box and packaging materials.

### **THIS WARRANTY DOES NOT COVER:**

- Acts of God, such as fire, flood, hurricanes, earthquakes and tornadoes.
- Improper power supply such as power surge, low voltage, defective household wiring or inadequate fuses.
- Use in commercial or industrial applications.
- Damage, accidental or otherwise, to the product while in the possession of a consumer not caused by a defect in material or workmanship.
- Damage caused by consumer misuse, tampering, lack of maintenance or failure to follow the care and special handling provisions in the instructions.
- Damage to the finish of the case, or other appearance parts caused by wear.
- Damage caused by repairs or alterations to the product by anyone other than authorized by the manufacturer.
- Removal, Replacement Packaging, Freight and Insurance cost for the warranty service.
- Products sold AS IS or from an unauthorized reseller.
- Products that have had their serial numbers removed or defaced.

DISCLAIMER OF IMPLIED WARRANTIES; LIMITATION OF REMEDIES CUSTOMER'S SOLE AND EXCLUSIVE REMEDY UNDER THIS LIMITED WARRANTY SHALL BE PRODUCT REPAIR OR REPLACEMENT AS PROVIDED HEREIN. CLAIMS BASED ON IMPLIED WARRANTIES, INCLUDING WARRANTIES OF MERCHANTABILITY OR FITNESS FOR A PARTICULAR PURPOSE, ARE LIMITED TO ONE YEAR OR THE SHORTEST PERIOD ALLOWED BY LAW, BUT NOT LESS THAN ONE YEAR. WHYNTER SHALL NOT BE LIABLE FOR CONSEQUENTIAL OR INCIDENTAL DAMAGES SUCH AS PROPERTY DAMAGE AND INCIDENTAL EXPENSES RESULTING FROM ANY BREACH OF THIS WRITTEN LIMITED WARRANTY OR ANY IMPLIED WARRANTY. SOME STATES AND PROVINCES DO NOT ALLOW THE EXCLUSION OR LIMITATION OF INCIDENTAL OR CONSEQUENTIAL DAMAGES, OR LIMITATIONS ON THE DURATION OF IMPLIED WARRANTIES, SO THESE LIMITATIONS OR EXCLUSIONS MAY NOT APPLY TO YOU. THIS WRITTEN WARRANTY GIVES YOU SPECIFIC LEGAL RIGHTS. YOU MAY ALSO HAVE OTHER RIGHTS THAT VARY FROM STATE TO STATE.

To obtain service or information, contact  
Whynter LLC via email at [support@whynter.com](mailto:support@whynter.com) or call 866-WHYNTER.

Product contents and specifications may change without notice.  
Copyright © 2025  
[WWW.WHYNTER.COM](http://WWW.WHYNTER.COM)