

QUICK SETUP GUIDE

50" 1080p 60 Hz LED TV

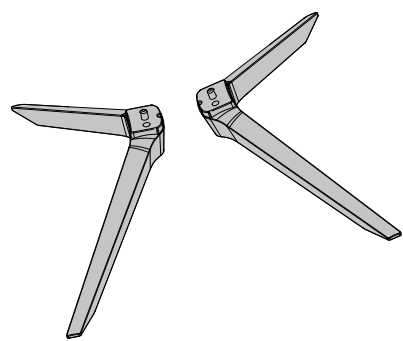
NS-50D510NA19

INCLUDED ACCESSORIES

Remote control and two AAA batteries



TV stands



M4 screws (18 mm length) (4 pcs.)



FIND YOUR USER GUIDE ONLINE!

- 1 Go to www.insigniaproducts.com.
- 2 Use the search bar to find **NS-50D510NA19**.
- 3 Select **Support & Downloads**.
- 4 Next to **User Guide**, select the language you want.



STOP

Do not plug your power cord in until all other devices have been connected.

Before using your new product, please read these instructions to prevent any damage.

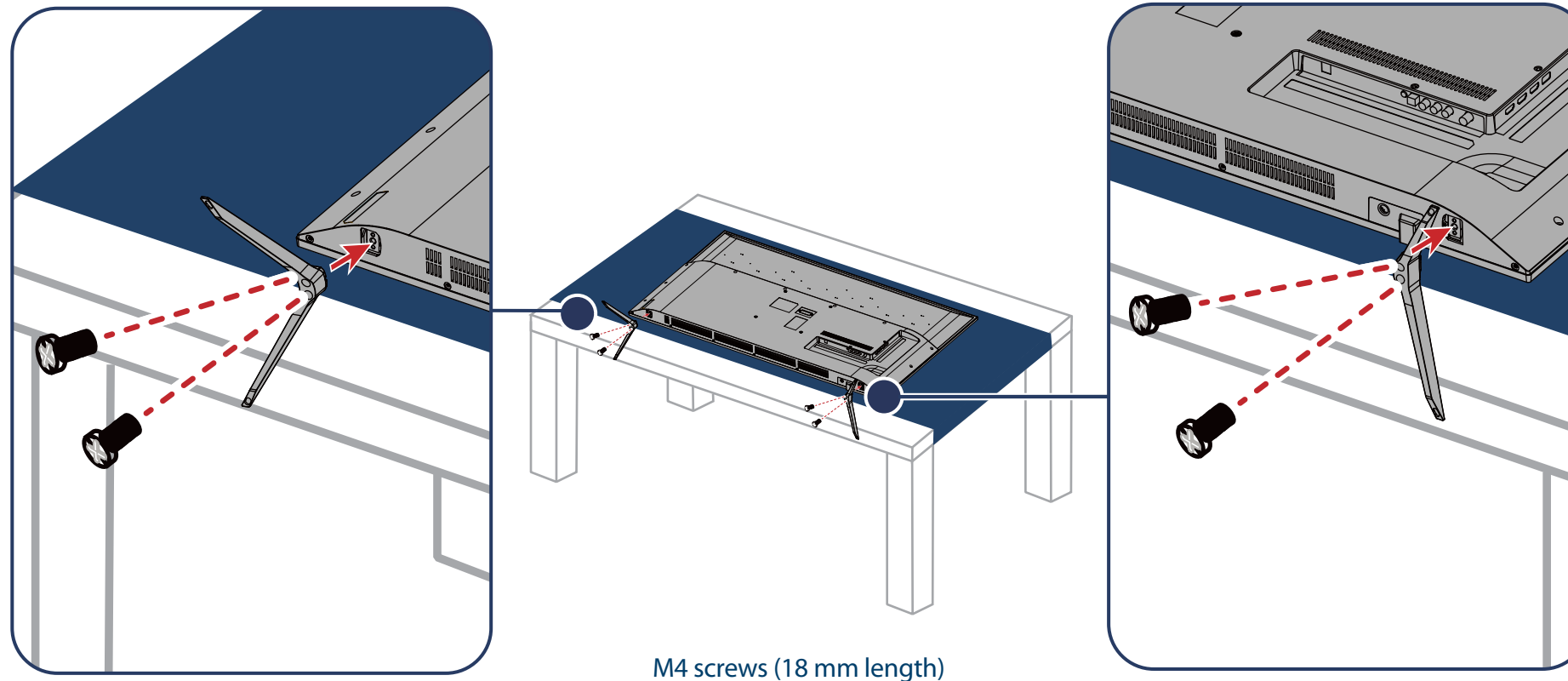
1 START HERE

How do I attach the stands to my TV? (not for wall mounting)

You'll need: Soft surface and Phillips screwdriver

Place your TV face-down on a cushioned, clean surface.

Align the screw holes on the TV stands with the holes on the bottom of your TV, then secure each stand to your TV with the provided screws.



M4 screws (18 mm length)

OR

WALL MOUNT

How do I prepare my TV for wall mounting?

(not for use with a TV stand)

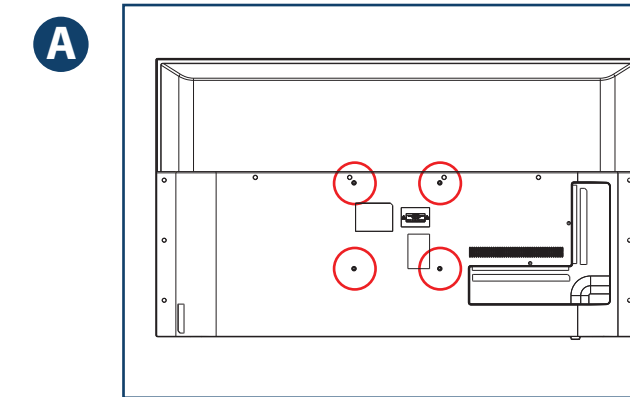
You'll need: Soft surface and Phillips screwdriver

Before you mount your TV, make sure that:

- You remove the stand legs
- The bracket supports the weight of your TV.

A Carefully place your TV face-down on a cushioned, clean surface.

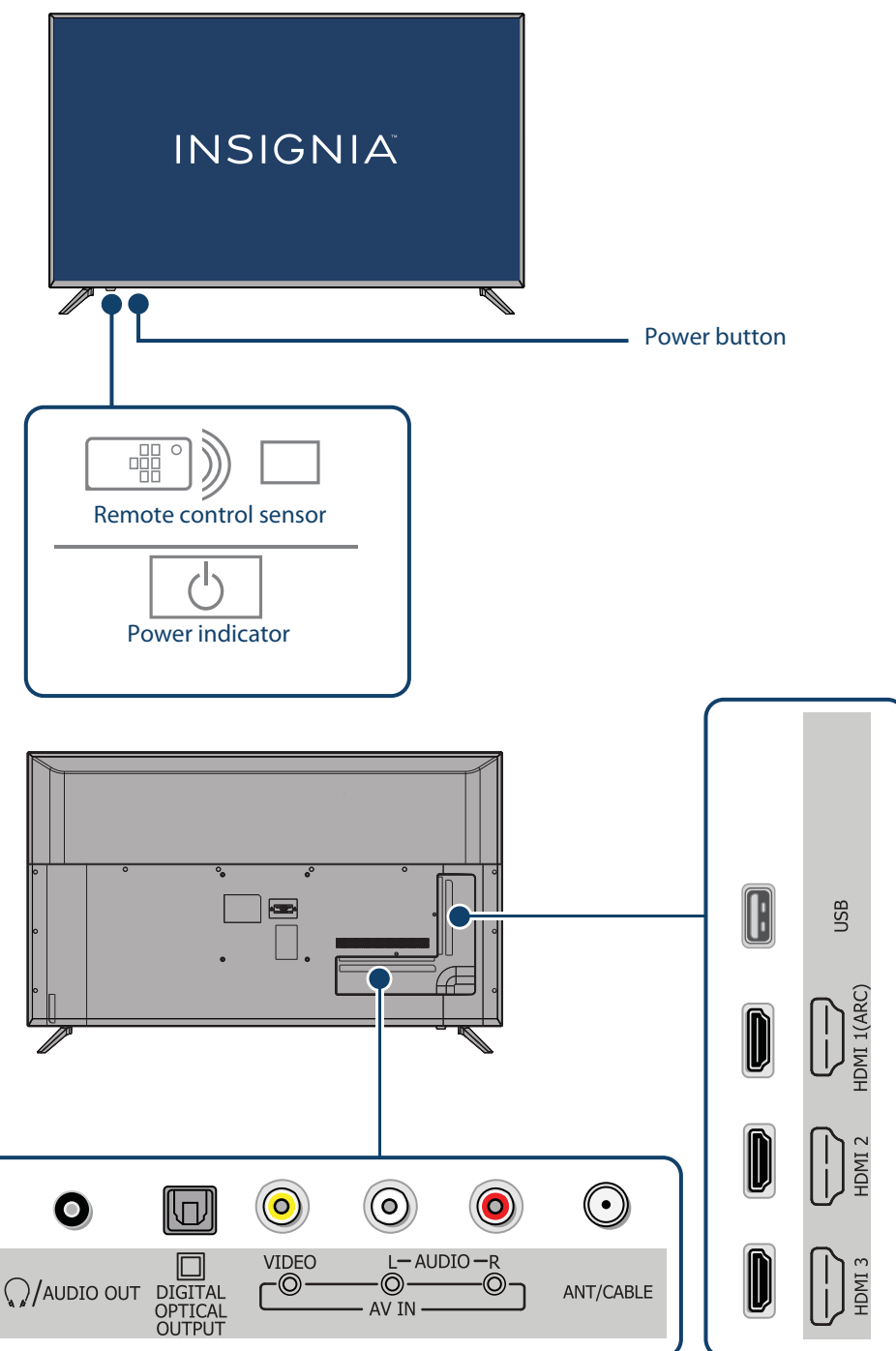
B See the instructions that came with your wall mount for more information about how to correctly mount your TV.



VESA Mounting Pattern
VESA mount (mm): 200 × 200 – M6 type screws, minimum 10mm

B Your TV has four VESA mounting holes on the back. If you attach a wall-mount bracket to the back of your TV, the bracket must be securely attached, using all four holes. If you do not use all four mounting holes, your TV may fall and cause property damage or personal injury. See the documentation that came with your wall-mount for complete mounting instructions.

FEATURES

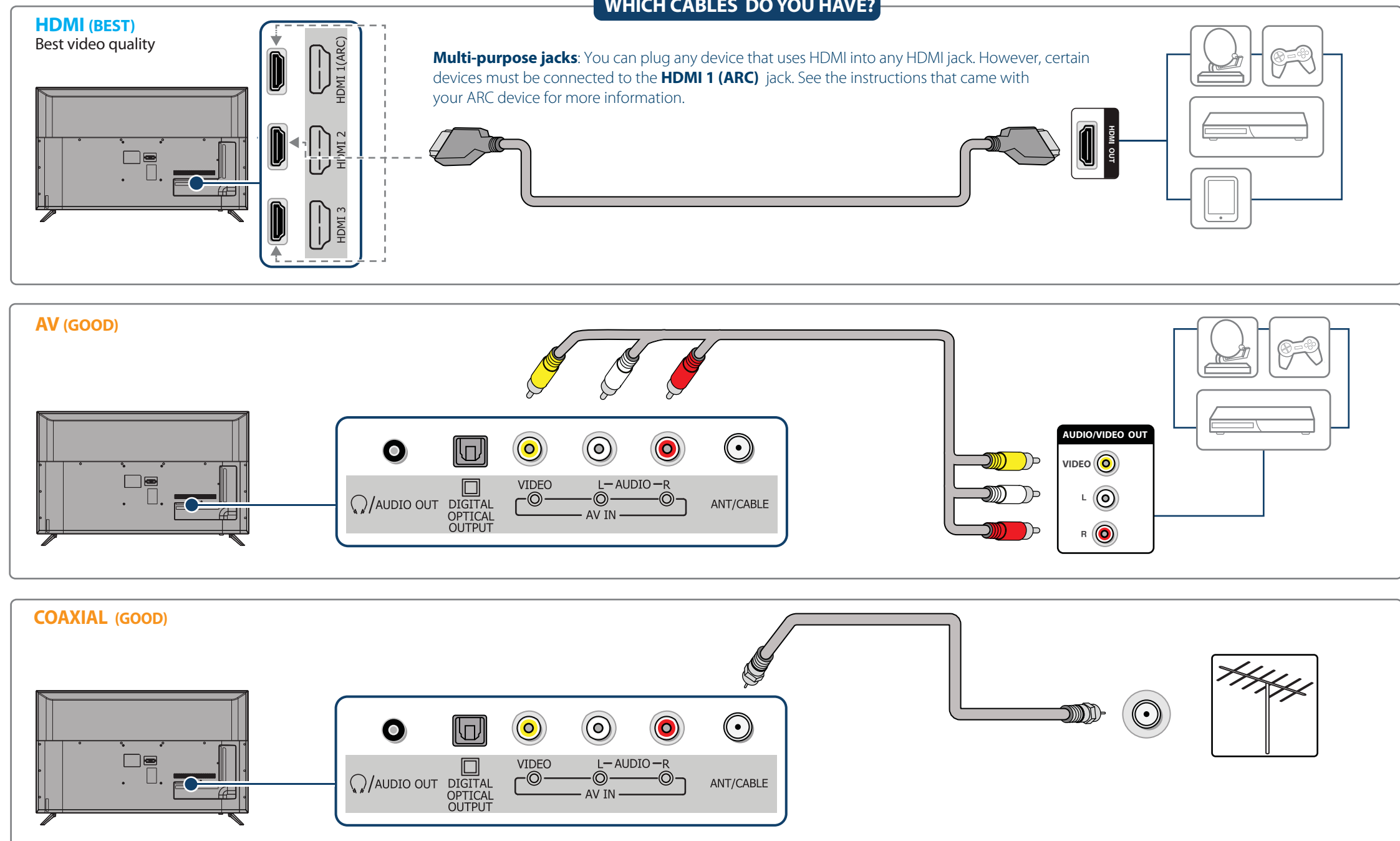


Note: Images do not necessarily represent the exact design of your television.

2 MAKING CONNECTIONS

How do I watch TV (cable, satellite, or antenna) or connect a device, such as a DVD or Blu-ray disc player, game console, or tablet?

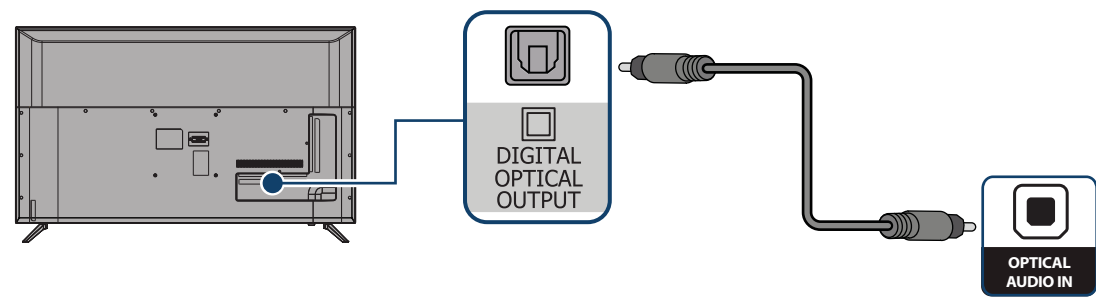
WHICH CABLES DO YOU HAVE?



3 CONNECTING AUDIO DEVICES

How do I connect my TV to external speakers?

USING DIGITAL AUDIO



On your TV's **Audio** menu, select **Audio Format / Audio Delay**, then press **ENTER**. Set the **Audio Format** option to **PCM**.

OR

USING ANALOG AUDIO



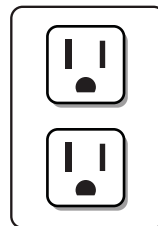
Note: See the instructions that came with your speakers or soundbar for more information.

4 TURNING ON MY TV

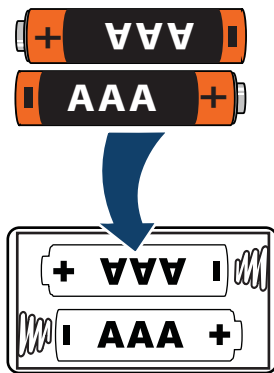
When can I turn on my TV?

WHEN YOUR TV IS IN PLACE:

1 Plug the power cord into a power outlet.



2 Remove the remote control cover and install the batteries.



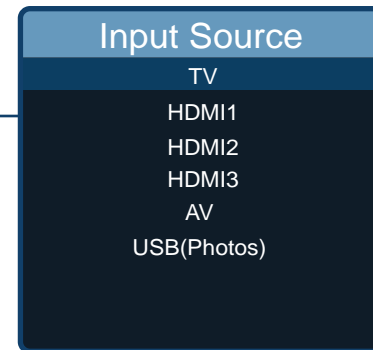
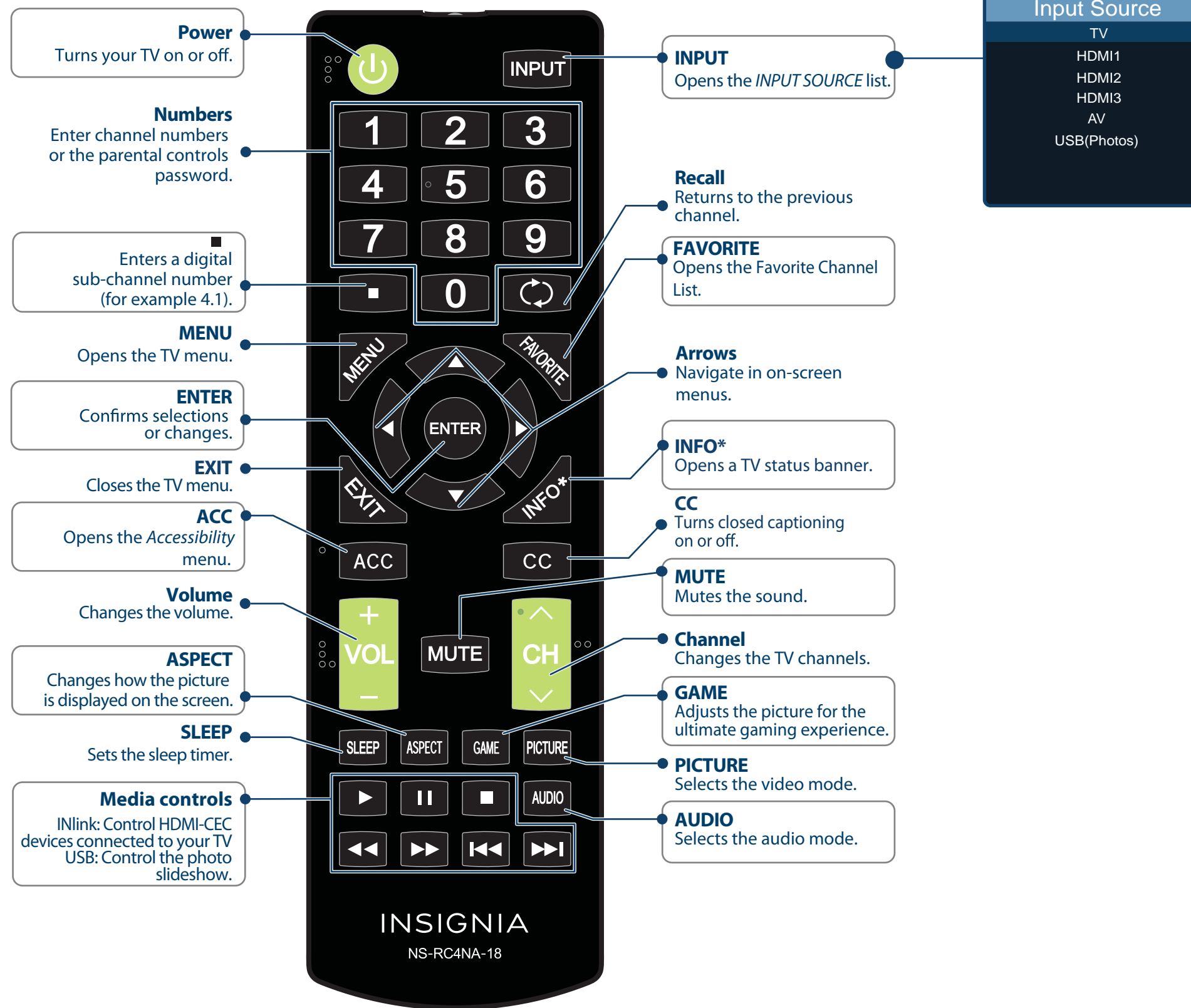
3 Press  on your remote control.



4 Follow the on-screen instructions.



USING YOUR REMOTE CONTROL



I already have a universal remote control. How do I make it control this TV?

If you already have a universal remote control that you would like to program to work with your TV and don't want to use the included Insignia remote control, see the table below for common codes.

UNIVERSAL REMOTE CONTROL CODES	
AT&T U-verse	1034, 1035, 1040, 1398, 1465, 1596, 1437, 1507, 12049, 11641, 11564, 11326, 11423, 11892, 11517, 10171, 10463, 11385, 11660, 11963, 12184, 13227
Cablevision	068, 069, 078, 096, 100, 164, 168, 229, 026
Charter	2002, 1204, 1423, 1517, 0171, 1963, 0463, 1463, 0842, 1326, 167, 415, 424, 450, 456, 461, 507, 523, 567, 577, 586
Comcast	10463, 10171, 11204, 11326, 11463, 11517, 11641, 11780, 11785, 11892, 11963, 12002, 01877, 00276, 01982, 01376, 00810, 01187, 01106, 00877, 00476
Cox	1326, 1463
DirecTV	10463, 10171, 11204, 11326, 11517, 11564, 11641, 11963, 12002, 11463, 12049
Dish Network	834, 720, 222, 898, 365, 777, 754
RCA	135, 12049, 11423, 11564, 10171, 10463, 11810, 11892, 11963, 12184, 12417
Rogers	0463, 1326, 2049, 1785, 1780, 1423, 1963
Time Warner	400, 450, 461, 456, 10463, 1463, 0463
Verizon	0198, 0490

For an up-to-date list of codes for other cable providers and universal remote brands, visit www.insigniaproducts.com/remotecodes

ONE-YEAR LIMITED WARRANTY
Visit www.insigniaproducts.com for details.

NEED ADDITIONAL HELP?

Check out our **Support Community** at <http://community.insigniaproducts.com/> for helpful information from other Insignia TV owners.

WE'RE HERE FOR YOU
www.insigniaproducts.com
For customer service, call:
877-467-4289 (U.S./Canada)

U.S. and Canada:
INSIGNIA is a trademark of Best Buy and its affiliated companies. Registered in some countries. Distributed by Best Buy Purchasing, LLC 7601 Penn Ave South, Richfield, MN 55423 U.S.A.

©2018 Best Buy. All rights reserved.
Made in China