



SEVEN STAND

— A2 Soundbar Shelf —

| | US-M size | | US-L size | |
|---------------------|--------------------------|--------------------------|--------------------------|--------------------------|
| model number | Satin White WLSSB5111 | Satin Black WLSSB5119 | Satin White WLSSB7238 | Satin Black WLSSB7238 |
| product ID | X04000088 | X04000089 | X04000090 | X04000091 |

size US-M size : W95×D25.5×H7.5cm **material** steel **surface finish** powder coating

US-L size : W130×D25.5×H7.5cm

weight US-M size : 6.6lbs/3.0kg **country of origin** China **maximum load** 77.1 lbs / 20kg

US-L size : W8.8lbs/4.0kg

Assembly Instructions [1st Edition]

Thank you for purchasing this product.

In order to use this product safely and for many years, please read this document carefully and use the product correctly.

Also, keep this in a safe place so that you can refer to it as needed.

Please Note

- Nakamura Co. Ltd. assumes no responsibility for damage or injury of any kind because of the misuse or improper application of any part of this product in any way by any person.
- Nakamura Co. Ltd. shall not be liable for any indirect or consequential damages whatsoever.



· THIS PRODUCT CONTAINS SMALL ITEMS THAT COULD BE A CHOKING HAZARD IF SWALLOWED.

caution · KEEP ALL PRODUCTS OUT OF THE REACH OF CHILDREN WHILE ASSEMBLING.

Nakamura Co. Ltd. shall not be responsible for any damages in the following cases:

- 1) When the customer resells the product to a third party.
- 2) In case of failure or damage due to careless or improper handling.
- 3) In case of failure or damage caused by use in combination with other products.
- 4) In case of natural disaster, fire, environmental destruction, harmful substances, war, abnormal voltage or malfunction or damage due to external factors.
- 5) If product is used for purposes other than the original purpose.

This product was manufactured in China (country of origin)
under the planning and quality control of Nakamura Corporation of Japan.
Some specifications may differ due to improvements for better quality.

Nakamura Co. Ltd.

Official brand site : <https://equals.tokyo/>

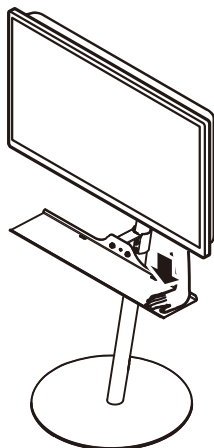
Contact us in English : info-gl@nakamura-jpn.co.jp

Safety precautions



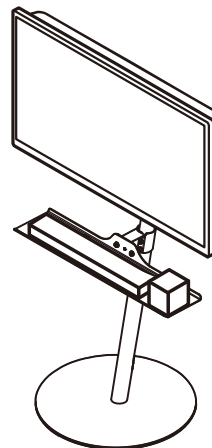
caution

Failure to abide by the following advisories may result in personal injury or property damage:



Do not push by hand from the top

The TV stand may fall over or the shelf board may fall off, resulting in damage or injury.



Do not place loads unevenly

The TV stand may fall over or the shelf board may fall off, resulting in damage or injury.

Caution If the following precautions are not observed, injury or property damage may occur.

1 Assembly and installation

1-1. Causes of injury and damage

When installing, secure all parts firmly with screws.

1-2. Causes of discoloration and damage

For indoor use. Keep away from direct sunlight, as well as direct airflow from heating or air conditioning.

1-3. Causes of falls, injury and damage

Do not push by hand from the top and apply heavy loads.

Before adjusting the height of the shelf board, remove the installed equipment and any contents of the shelves.

2 During use

Cause of odor

When unpacking, there may be residual smells from packing materials or paint. Wipe well with a clean dry cloth and leave in a well-ventilated place for a while.

3 Care and maintenance

Causes of cracking, discoloration and deformation

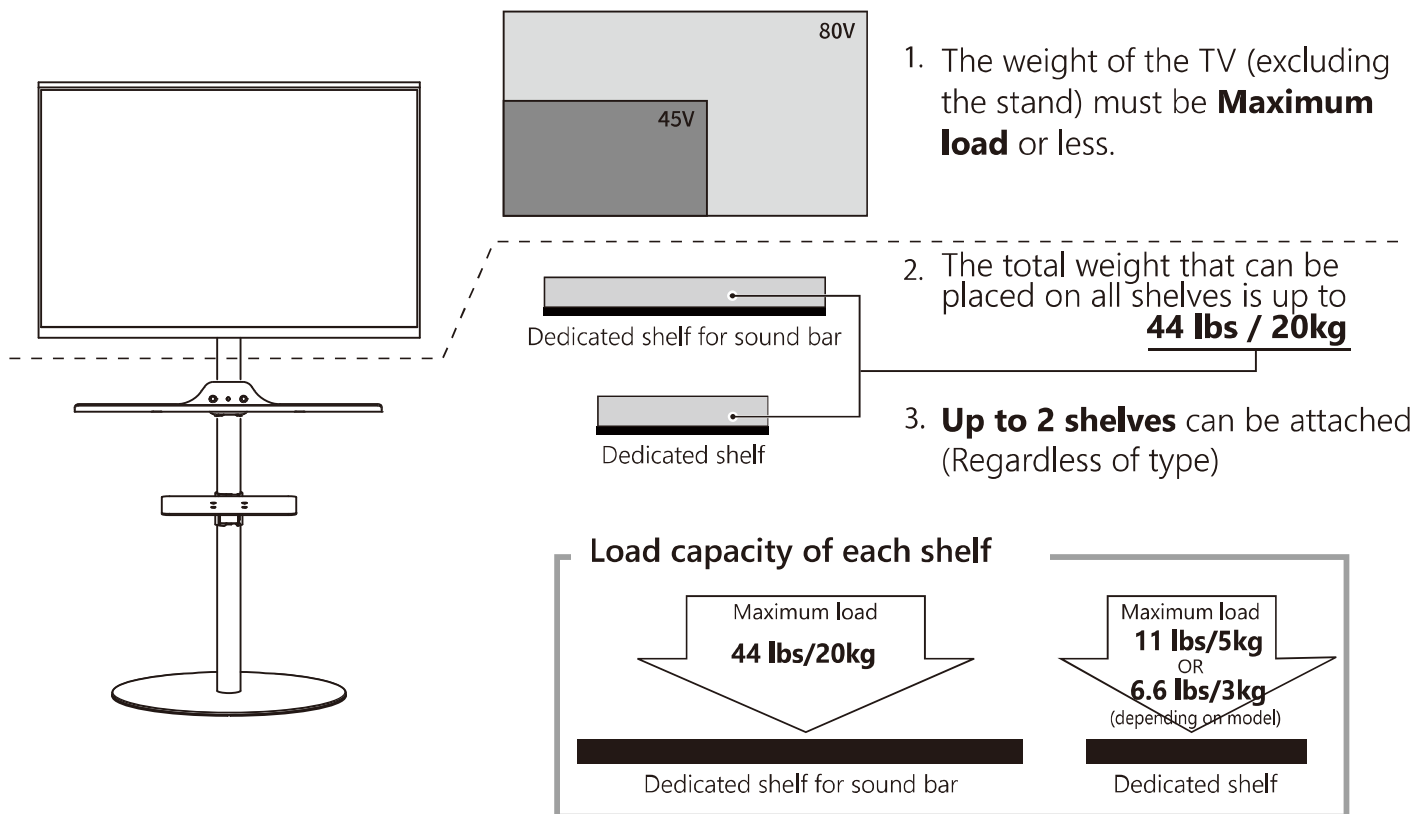
Do not wipe the surface with a damp cloth.

Do not use cleanser, thinner, benzene, alcohol, kerosene, etc.

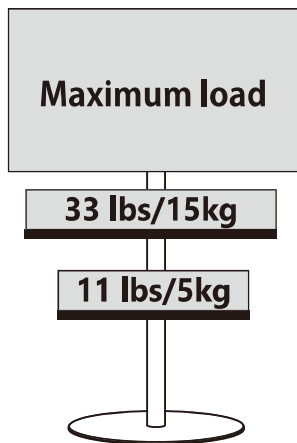
- Use a soft cloth soaked in a diluted neutral detergent, tightly wrung, to remove dirt and wipe off any residual moisture with a dry cloth.

- Check the screws regularly and tighten them securely if they are loose. (Once a month)

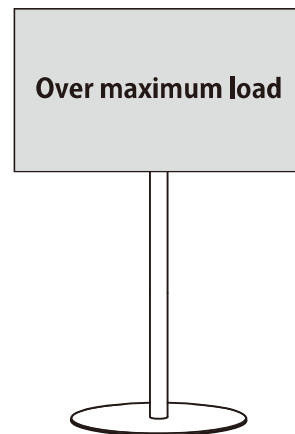
Precautions regarding load capacity and installation of shelf



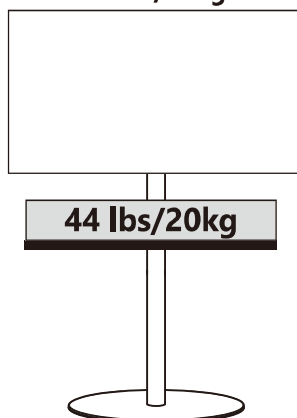
as of September 2025



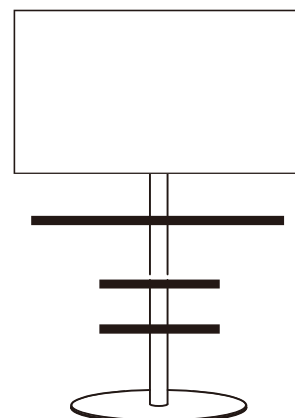
The weight of the TV is **Maximum Load** or less with or without shelves



The total weight on all shelves is no more than **44 lbs/20kg**



Up to **2 shelves** can be attached




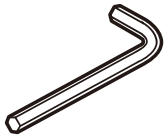





Accessory parts

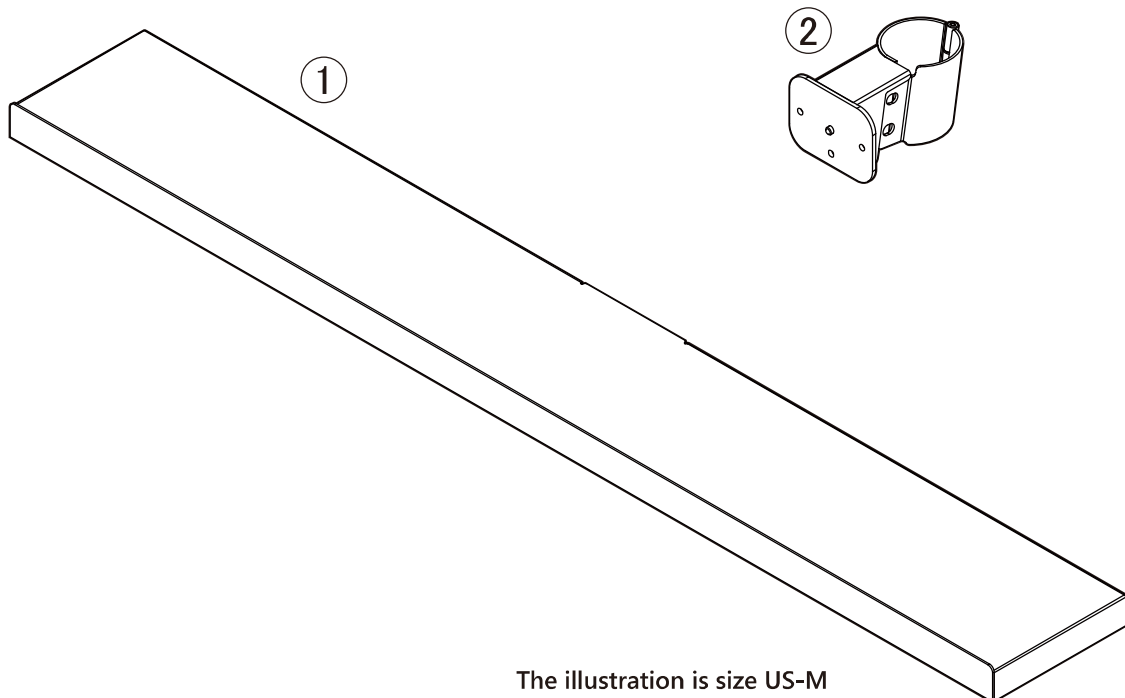
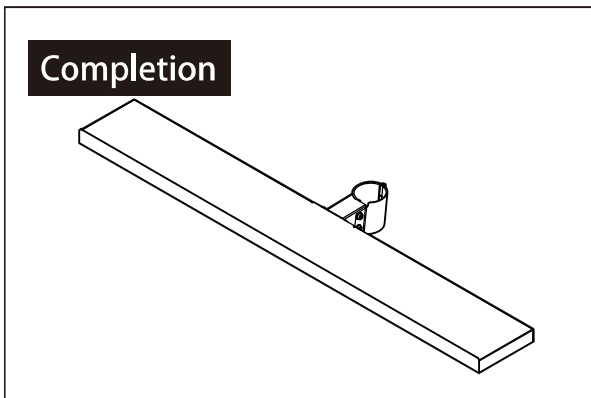
Some parts are included in case of loss.

The extra parts are spares.- The number in the tables is the required number.

Body assembly parts

| | | | | | |
|---|---|--|---|--|---|
| A |  × 2 | B |  × 5 | C |  × 3 |
| D |  × 1 | | | | |
| Sleeve(For $\Phi 50$ pipe)  × 1 | | cord band  × 8 | | cushion sticker  × 1 | |

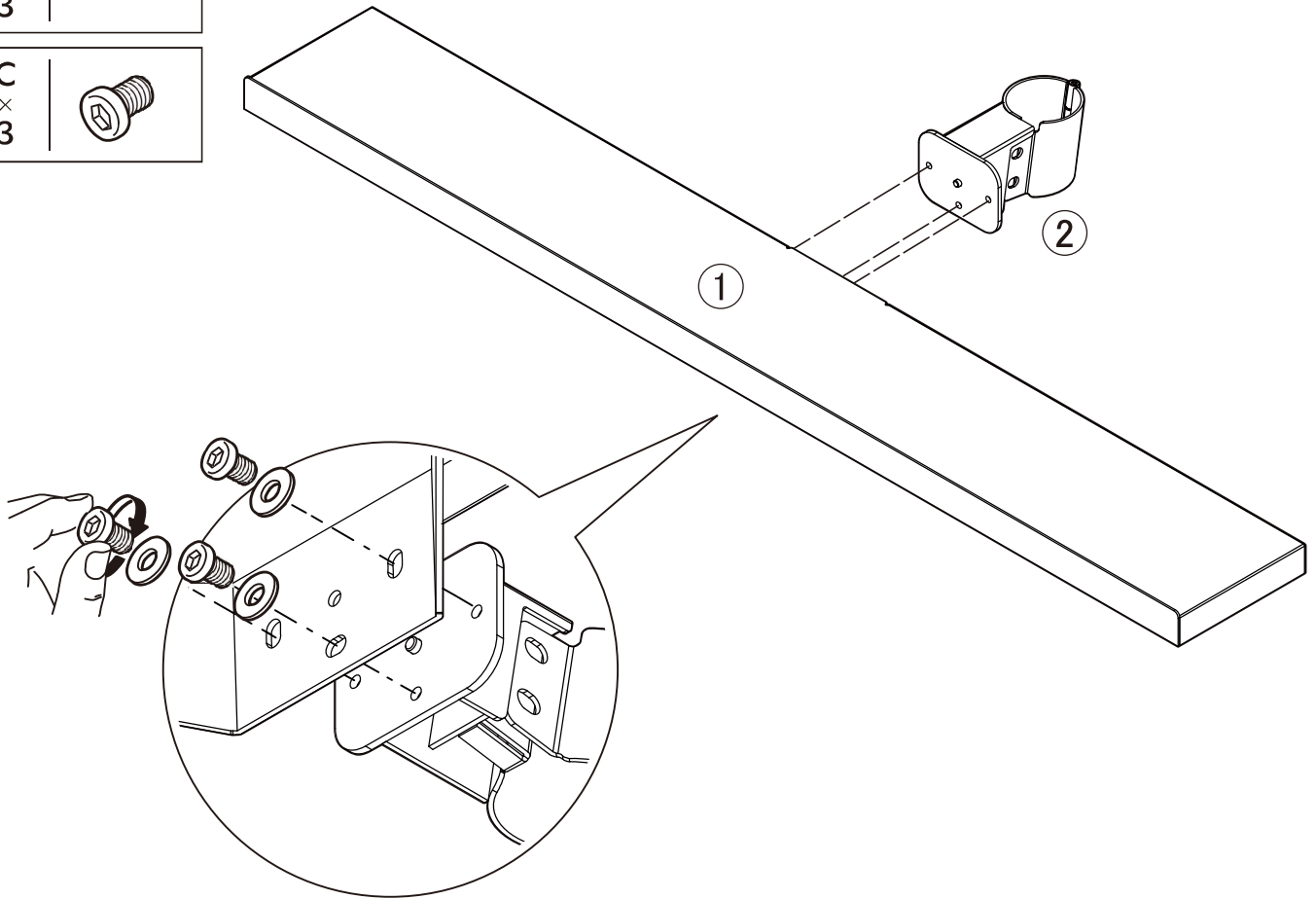
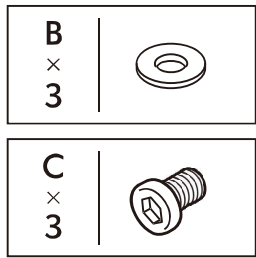
Main body parts



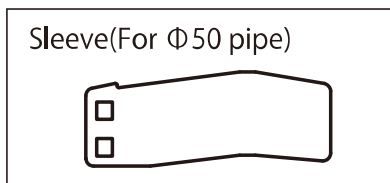
The illustration is size US-M

Assembly and installation

1

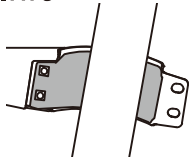


2



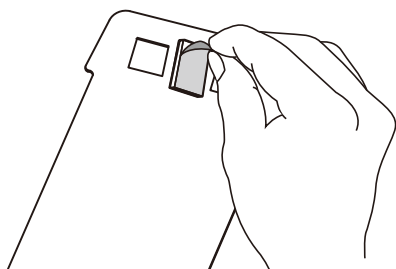
The sleeve is used to wrap around a support pole.

Info

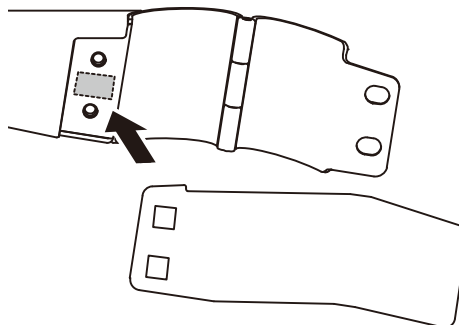


Wrap it around in this shape.

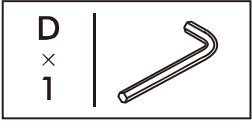
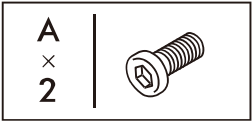
1 Peel off the paper



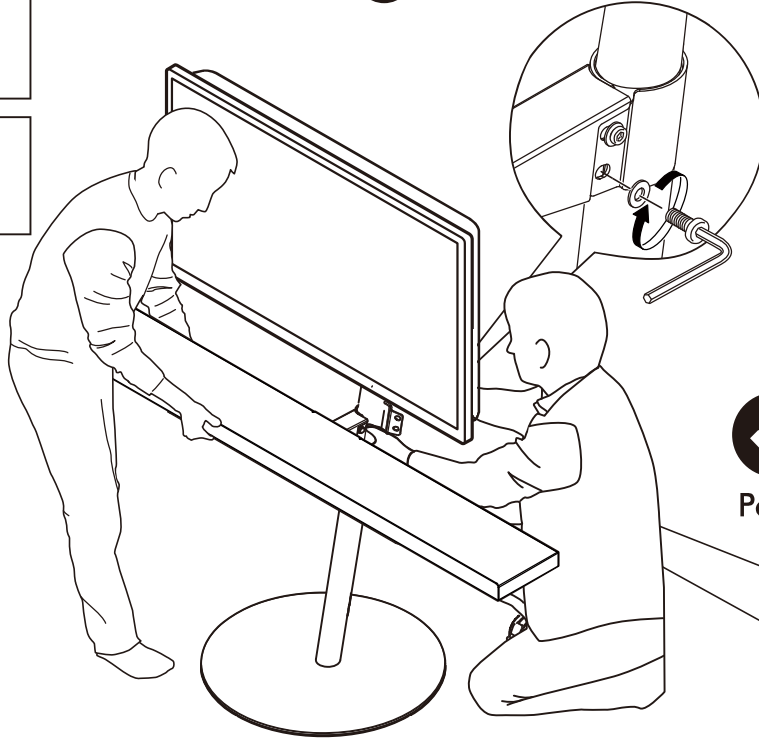
2 Put on (2)



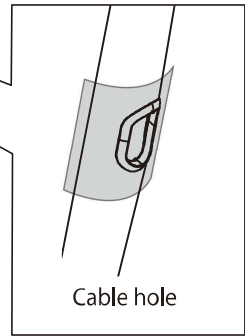
3



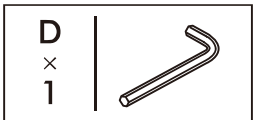
! Temporarily tighten the screws.



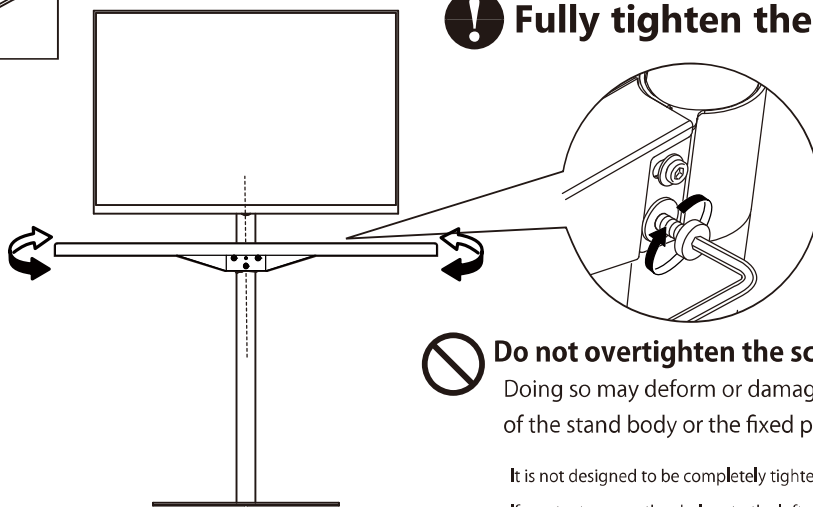
✓ Shelf boards cannot be attached to the gray area 
Point



4



! Fully tighten the screws

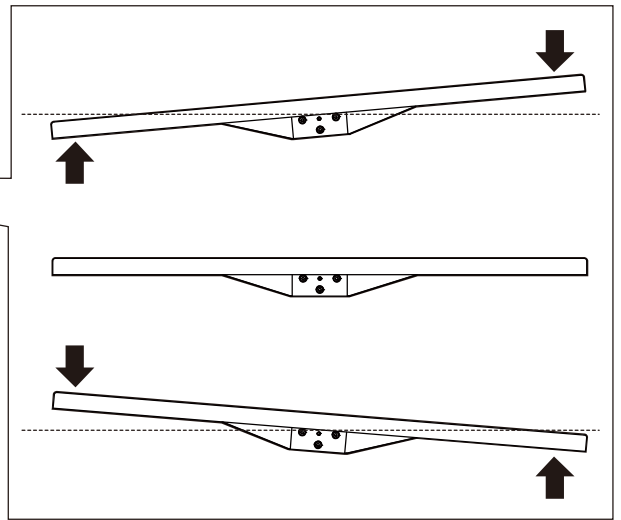
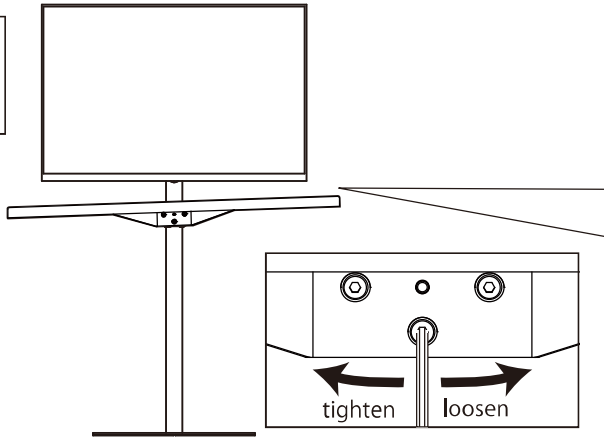
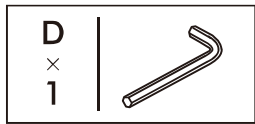


⊘ Do not overtighten the screws
Doing so may deform or damage the pipe of the stand body or the fixed parts of the shelves.

It is not designed to be completely tightened with screws in order to secure it between the pipes.
If you try to move the shelves to the left or right and they stay in place, there is no problem.

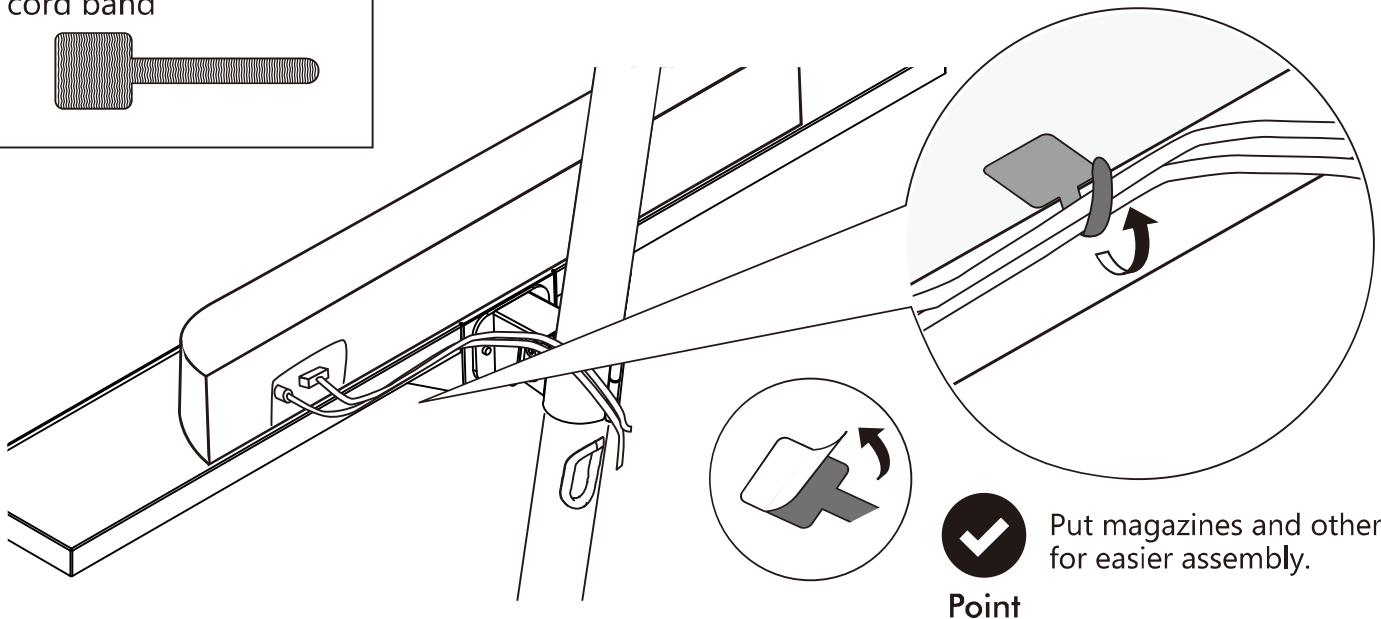
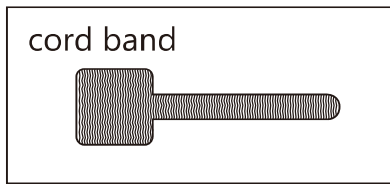
✓ Rotate the mounting part to align it with the front.
Point

5 How to adjust the tilt of the TV



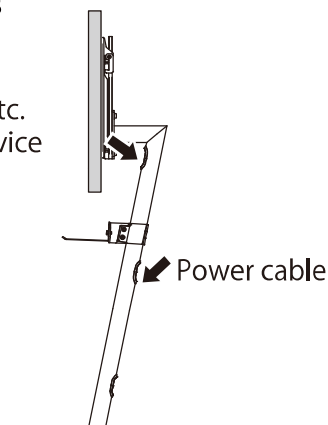
- 1 Loosen the front two screws
- 2 Adjust the shelfboard until horizontal
- 3 Tighten the front two screws again

How to use the cord band



How to put through the cables

HDMI cable, etc.
from TV to device



Point It is easier to put the cables through from the top down.